



US00D943411S

(12) **United States Design Patent** (10) **Patent No.:** **US D943,411 S**
Glassman et al. (45) **Date of Patent:** **** Feb. 15, 2022**

- (54) **CAPSULE**
- (71) Applicant: **Comcast Cable Communications, LLC**, Philadelphia, PA (US)
- (72) Inventors: **Ellen Tave Glassman**, Closter, NJ (US); **Min Chul Song**, Belleville, NJ (US); **Richard William Pfeiffer**, Brooklyn, NY (US); **Michael Boylan**, Philadelphia, PA (US)
- (73) Assignee: **Comcast Cable Communications, LLC**, Philadelphia, PA (US)
- (**) Term: **15 Years**
- (21) Appl. No.: **29/731,949**
- (22) Filed: **Apr. 20, 2020**
- (51) **LOC (13) Cl.** **09-03**
- (52) **U.S. Cl.**
USPC **D9/432**
- (58) **Field of Classification Search**
USPC D9/414-416, 418, 419, 430-433, 438, D9/500, 501, 503-505, 702, 703, 705, D9/707, 711, 567, 568, 560, 715, 721, D9/737, 740-745, 420-423, 434, 435, D9/456, 499; D3/201, 229, 272-274, D3/300; D7/603, 605, 612, 703, 708; D23/366
CPC B65D 83/205; B65D 83/384; B65D 83/75
See application file for complete search history.

- (56) **References Cited**
U.S. PATENT DOCUMENTS
724,607 A * 4/1903 Paget C08L 23/06
206/524.9
3,184,098 A * 5/1965 Sabaka B65D 47/26
220/270
D245,580 S * 8/1977 Larsson D9/432
D269,361 S * 6/1983 Marschak D3/302

- D274,396 S * 6/1984 Kikuchi D7/605
- D276,400 S * 11/1984 Daenen D7/614
- D276,401 S * 11/1984 Daenen D7/602
- D276,594 S * 12/1984 Fahey D9/420
- D310,784 S * 9/1990 Forbes, Jr. D9/416
- D336,244 S * 6/1993 Arai D9/414
- D354,435 S * 1/1995 Krupa D9/423
- D385,787 S * 11/1997 Takano D9/423
- D385,790 S * 11/1997 Setty D9/438
- D416,797 S * 11/1999 Rabe D9/431
- 6,053,353 A * 4/2000 Helms B65D 5/64
206/508
- D433,631 S * 11/2000 Walsh D9/500
- D439,838 S * 4/2001 Sagel D9/416
- 6,523,713 B1 * 2/2003 Helms B65D 51/20
220/831

(Continued)

OTHER PUBLICATIONS

Xfinity Eco Capsule. Posted on Vimeo Feb. 2021. Visited Sep. 28, 2021. <https://vimeo.com/513011871> (Year: 2021).*

(Continued)

Primary Examiner — Darcey E Gottschalk
Assistant Examiner — Vanessa Michelle Pursley
(74) *Attorney, Agent, or Firm* — Banner & Witcoff, Ltd.

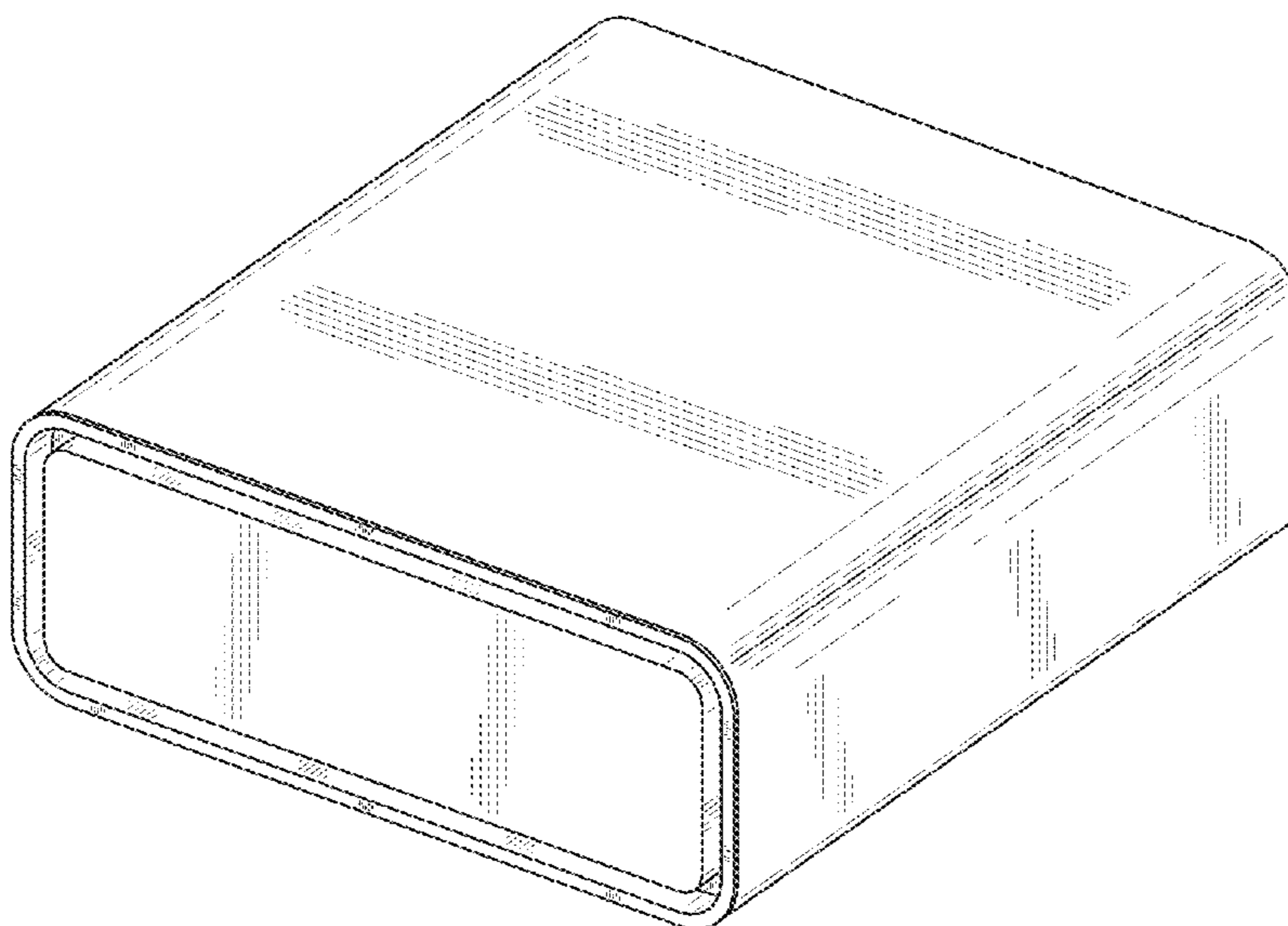
(57) **CLAIM**

The ornamental design for a capsule, as shown and described.

DESCRIPTION

FIG. 1 is a front perspective view of a capsule showing our new design;
FIG. 2 is a front view thereof;
FIG. 3 is a rear view thereof;
FIG. 4 is a left side view thereof;
FIG. 5 is a right side view thereof;
FIG. 6 is a top view thereof; and,
FIG. 7 is a bottom view thereof.

1 Claim, 5 Drawing Sheets



(56)

References Cited

U.S. PATENT DOCUMENTS

D511,655 S * 11/2005 Kim D7/612
 D517,408 S * 3/2006 Gonzalez D9/438
 D520,871 S * 5/2006 Geisselbrecht D9/435
 D521,379 S * 5/2006 Geisselbrecht D9/435
 D521,380 S * 5/2006 Jackson D9/425
 D544,789 S * 6/2007 Kaufman D7/612
 D546,175 S * 7/2007 Sainz D9/420
 D569,720 S * 5/2008 Lablaine D9/420
 D571,197 S * 6/2008 Sanfilippo D9/420
 D592,966 S * 5/2009 Nissen D9/560
 D608,193 S * 1/2010 Sanfilippo D9/420
 D636,257 S * 4/2011 Bougoulas D9/420
 D643,726 S * 8/2011 Sander D9/522
 D655,159 S * 3/2012 Killandi D9/438
 8,308,021 B2 * 11/2012 Turvey B65D 43/0218
 220/793
 D696,075 S * 12/2013 Mashike D7/605
 D704,549 S * 5/2014 Liu D9/418

D728,314 S * 5/2015 Carstensen D7/510
 D748,468 S * 2/2016 Angeloni D9/420
 D788,585 S * 6/2017 Roberts D9/456
 D853,838 S * 7/2019 Liu D9/432
 D869,955 S * 12/2019 Kilduff D9/560
 D909,884 S * 2/2021 Ranno D9/703
 D923,488 S * 6/2021 Loritz D9/711
 D928,621 S * 8/2021 Kilduff D9/560
 D929,043 S * 8/2021 Matsuishi D28/85
 D932,298 S * 10/2021 Kleiner D9/438
 2006/0201946 A1 * 9/2006 Witt B29C 66/242
 220/276

OTHER PUBLICATIONS

Pop Box—Air-tight, stink-proof, and 5 times stronger. Posted on Youtube Nov. 13, 2016. Visited Oct. 14, 2021. <https://www.youtube.com/watch?v=fEdS25O3ylw> (Year: 2016).*

* cited by examiner

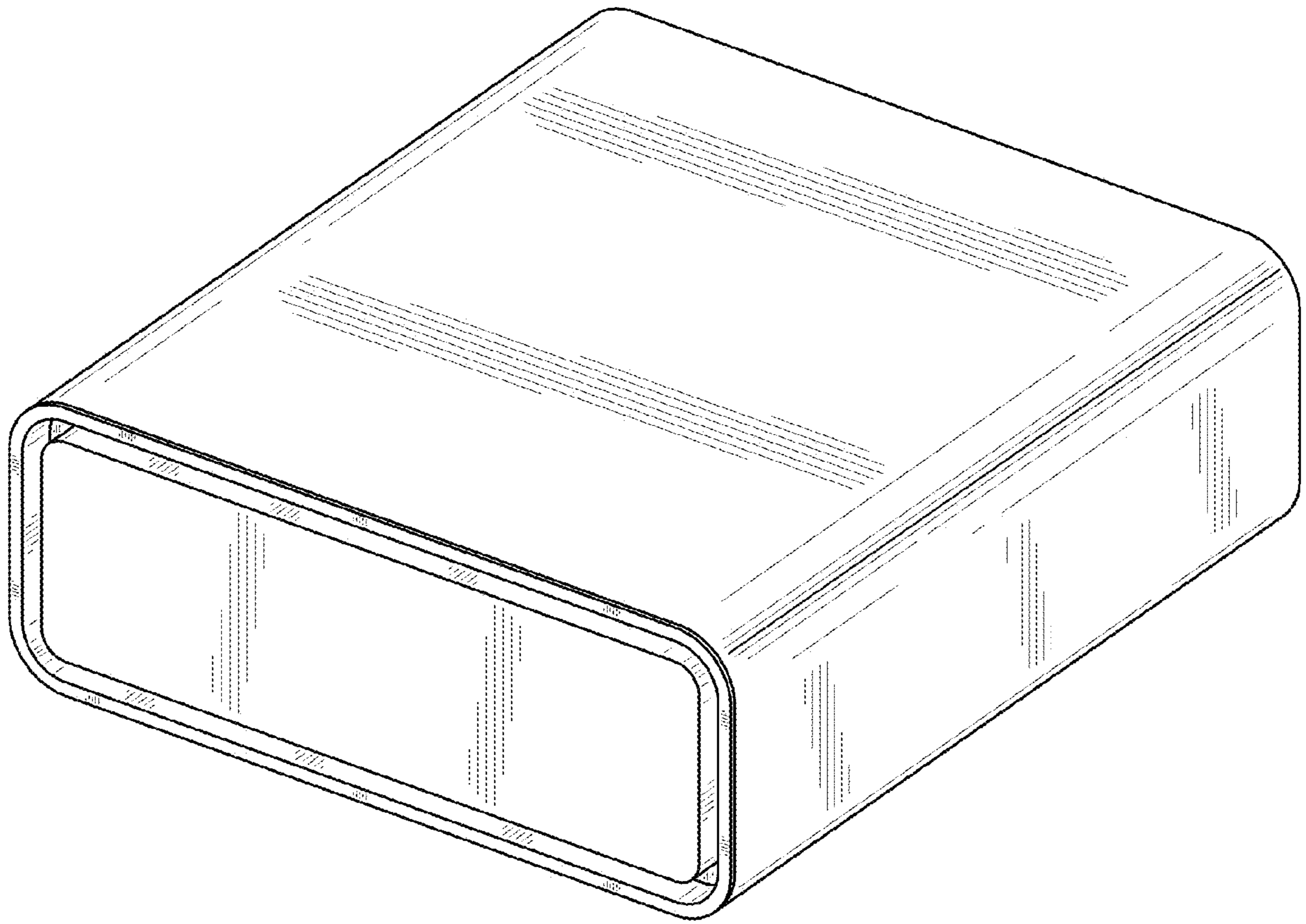


FIG. 1

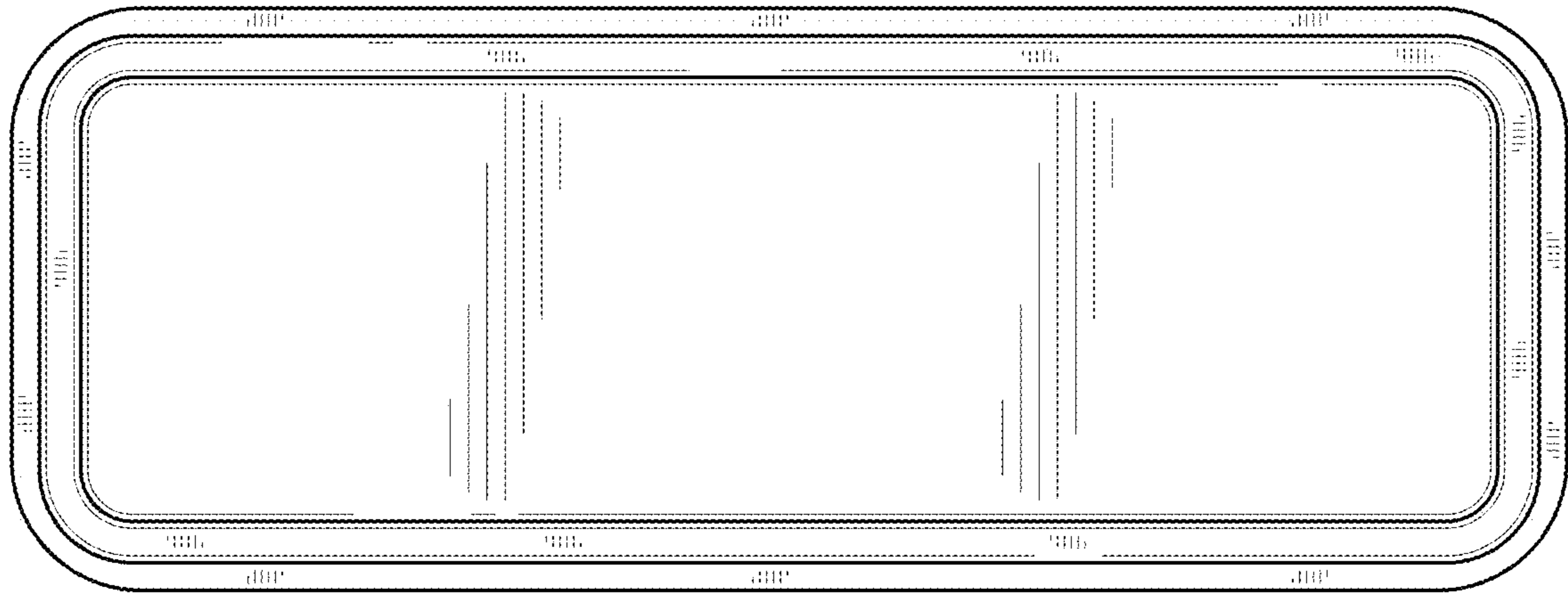


FIG. 2

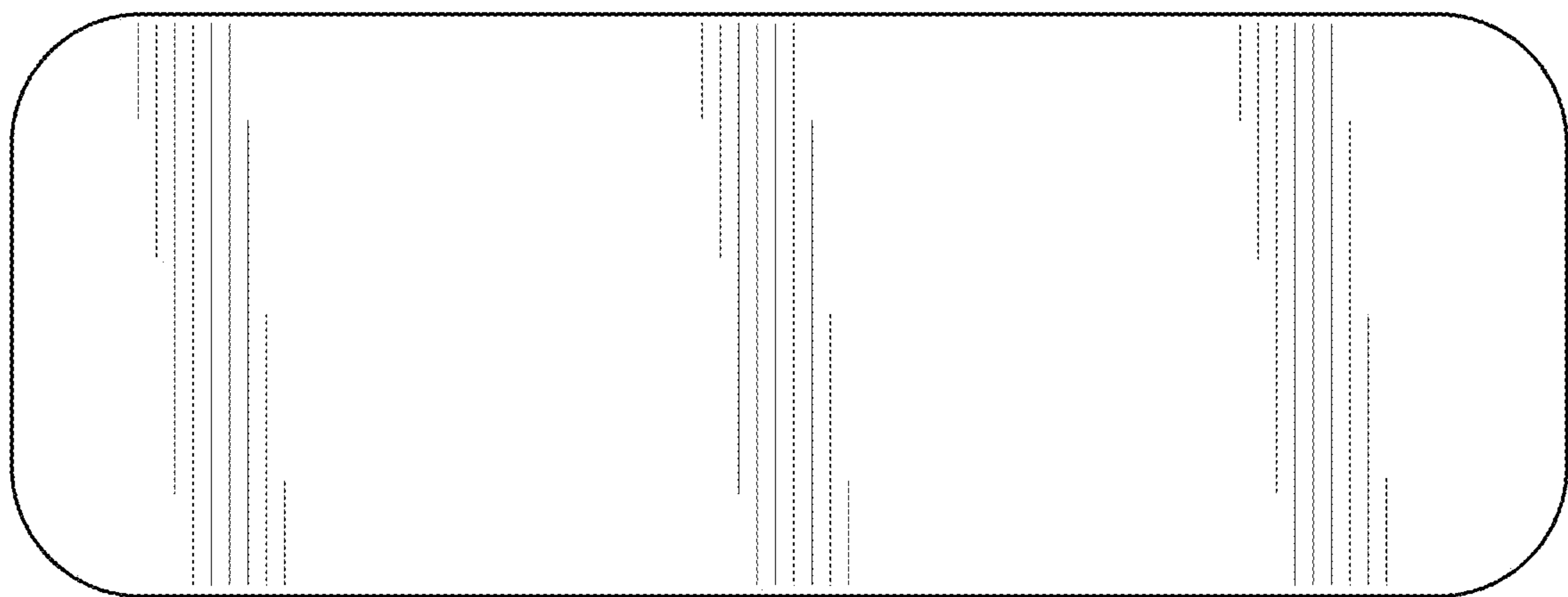


FIG. 3

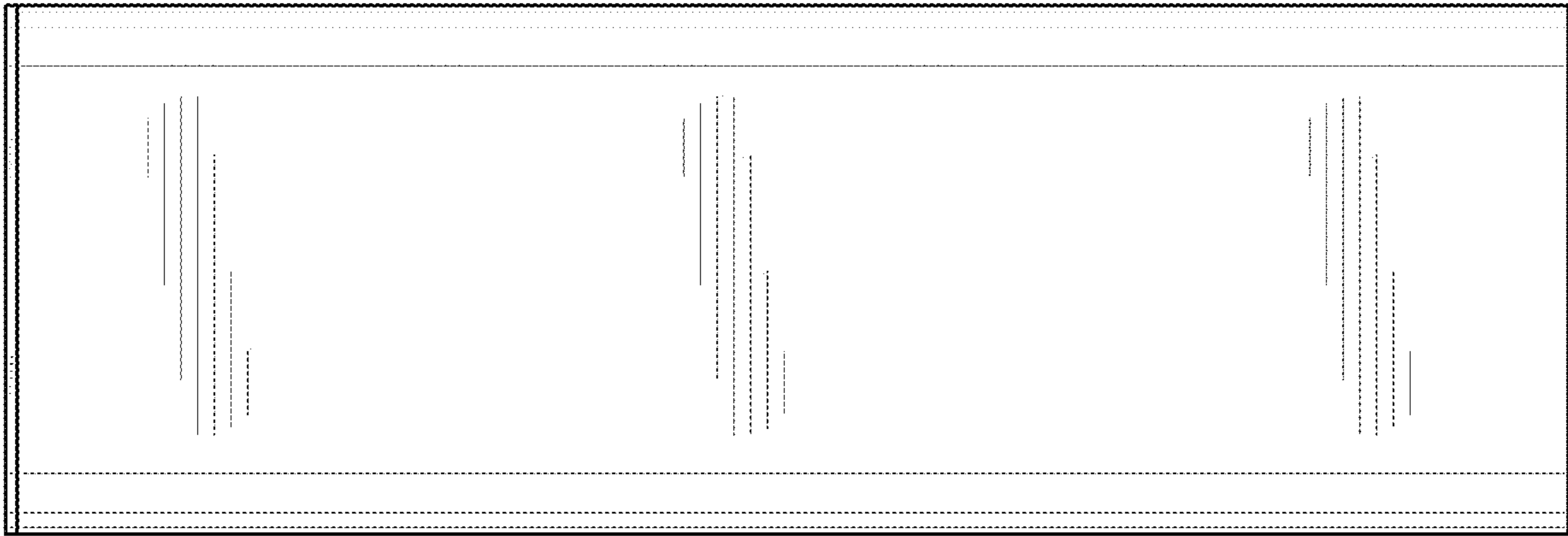


FIG. 4

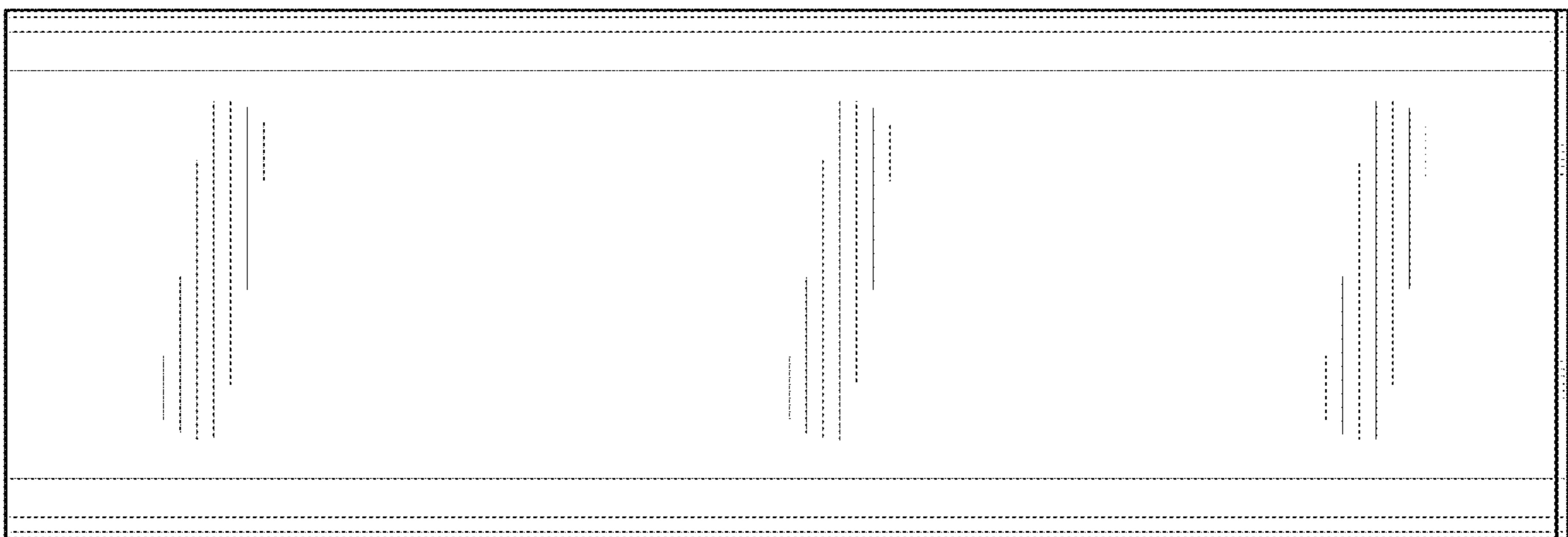


FIG. 5

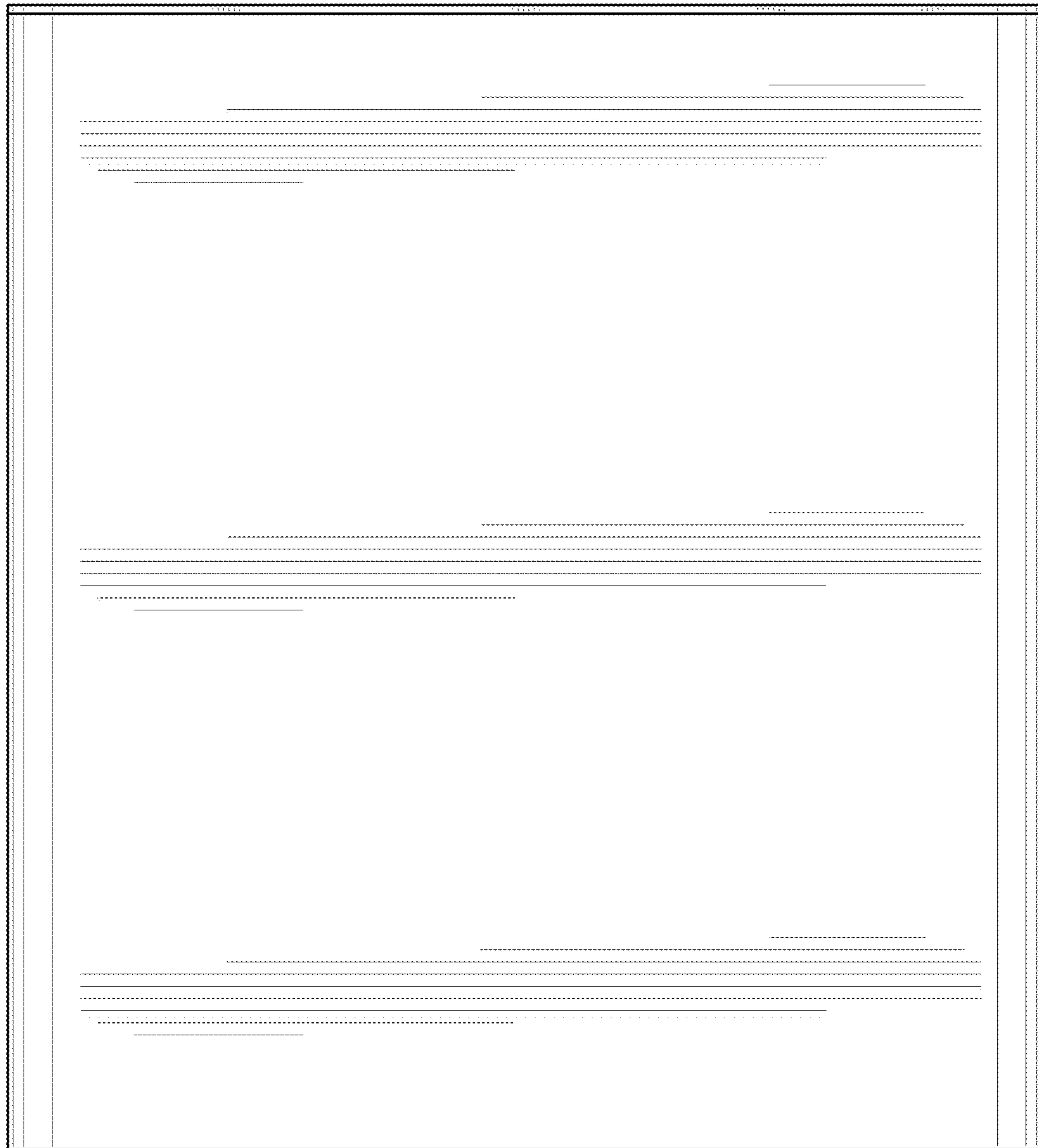


FIG. 6

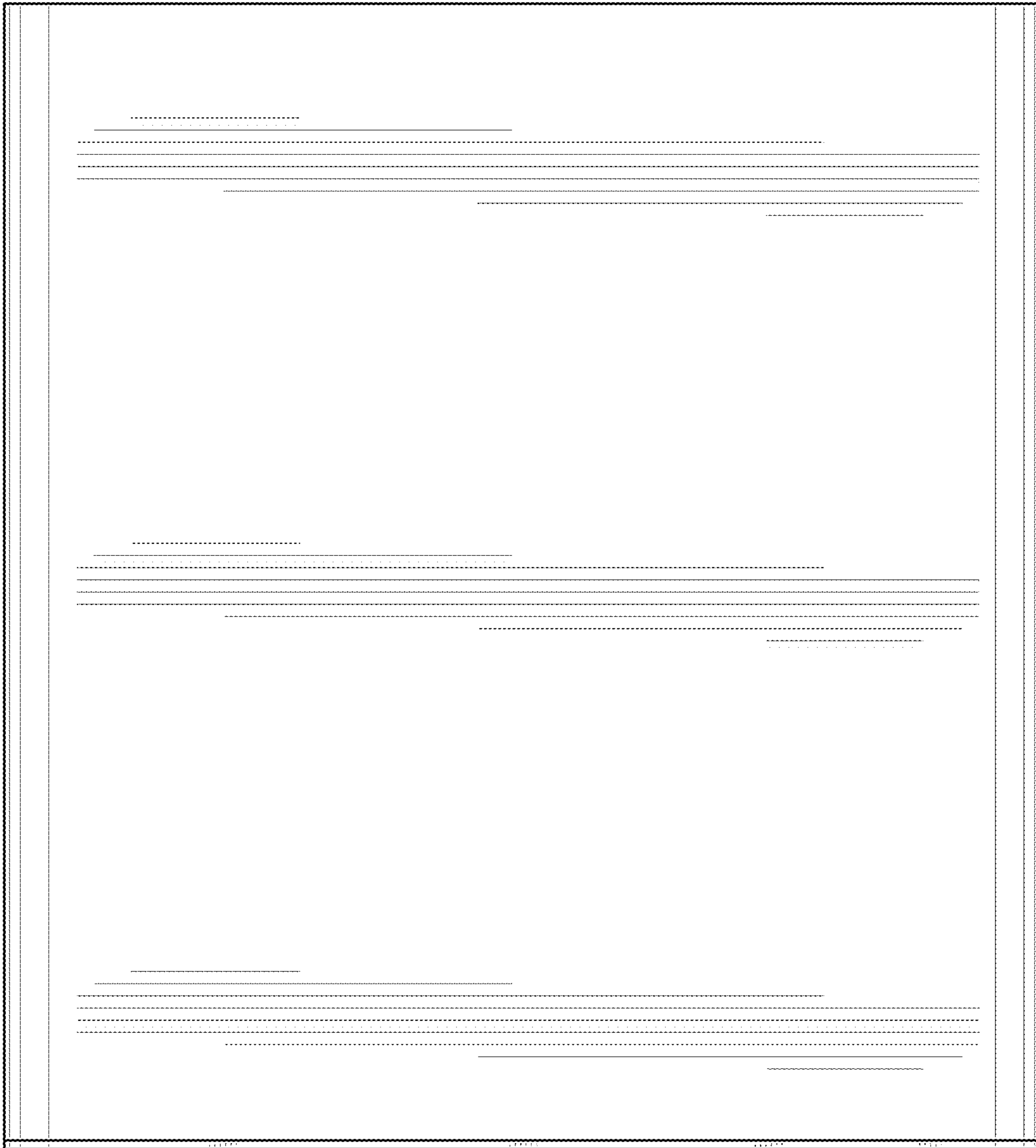


FIG. 7