



US00D943409S

(12) **United States Design Patent** (10) **Patent No.:** **US D943,409 S**
Ding (45) **Date of Patent:** **** Feb. 15, 2022**

(54) **STORAGE BOX**
(71) Applicant: **Guobin Ding**, Qingtongxia (CN)
(72) Inventor: **Guobin Ding**, Qingtongxia (CN)
(**) Term: **15 Years**
(21) Appl. No.: **29/765,032**
(22) Filed: **Jan. 5, 2021**
(51) **LOC (13) Cl.** **09-03**
(52) **U.S. Cl.**
USPC **D9/414; D3/273**
(58) **Field of Classification Search**
USPC D9/414, 432, 456, 430, 449; D24/224;
D3/274, 294, 302, 273, 206; D14/217;
D99/28
CPC A45C 11/20
See application file for complete search history.

D874,280 S * 2/2020 Malone D9/456
D882,390 S * 4/2020 Sun D9/414
D899,087 S 10/2020 Kuhls
D899,773 S 10/2020 Hu
D901,891 S * 11/2020 Way D3/302
D902,587 S * 11/2020 Zhu D3/294
D904,724 S * 12/2020 Zhang D99/28
D909,865 S * 2/2021 Yeung D9/432
D915,880 S * 4/2021 Markoulis D9/430
D923,324 S * 6/2021 Miyake D3/206
D929,127 S * 8/2021 Ding D3/273
D929,732 S * 9/2021 Ding D3/273
2017/0137205 A1* 5/2017 Graf A45C 11/20

* cited by examiner

Primary Examiner — Rhea Shields

(74) *Attorney, Agent, or Firm* — Che-Yang Chen; Law Office of Michael Chen

(57) **CLAIM**

The ornamental design for a storage box, as shown and described.

(56) **References Cited**

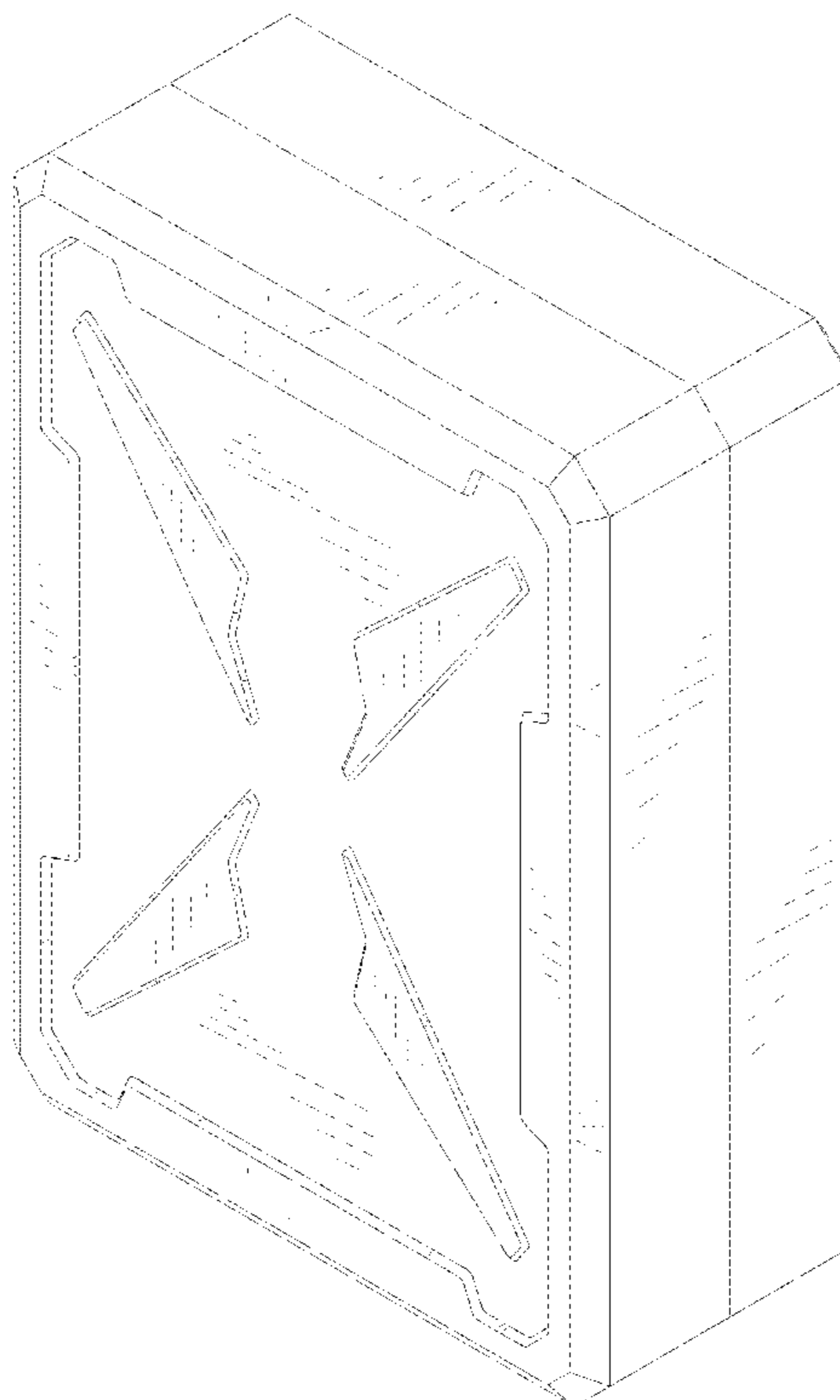
U.S. PATENT DOCUMENTS

D669,596 S * 10/2012 Motadel D24/224
D718,048 S * 11/2014 Hsu D3/273
D729,621 S * 5/2015 Merrick D9/432
D773,184 S * 12/2016 Ko D3/274
D790,512 S * 6/2017 Lee D14/217
D800,989 S 10/2017 Lucido
D805,774 S * 12/2017 Sun D3/294
D848,146 S 5/2019 Kincade et al.
D850,912 S * 6/2019 Wilson D9/449
D857,389 S * 8/2019 Hsiao D3/294
D864,567 S 10/2019 Kincade et al.
D866,967 S * 11/2019 Meng D3/294

DESCRIPTION

FIG. 1 is a perspective view of the storage box showing my new design;
FIG. 2 is a front elevational view thereof;
FIG. 3 is a rear elevational view thereof;
FIG. 4 is a left side elevational view thereof;
FIG. 5 is a right side elevational view thereof;
FIG. 6 is a top plan view thereof; and,
FIG. 7 is a bottom plan view thereof.

1 Claim, 7 Drawing Sheets



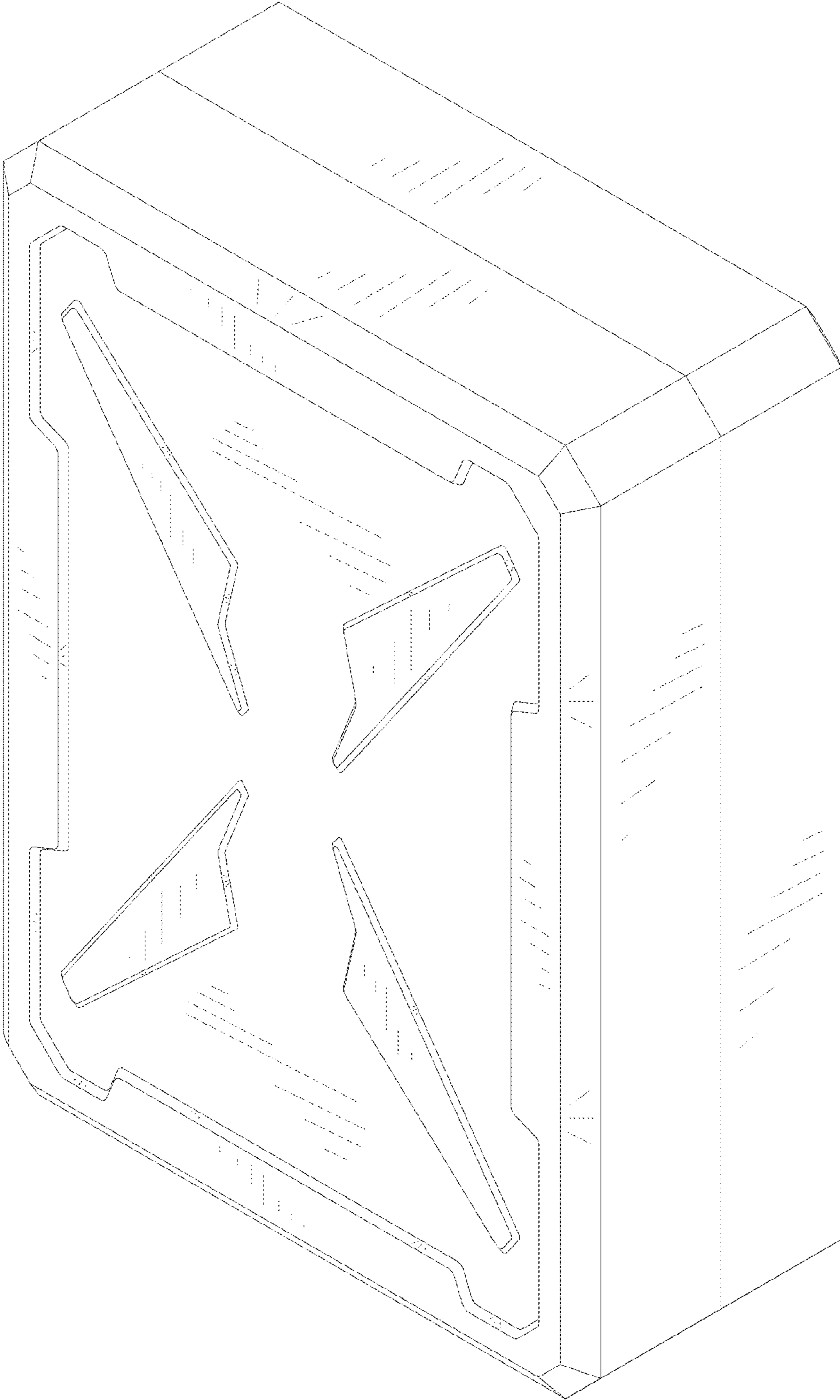


FIG.1

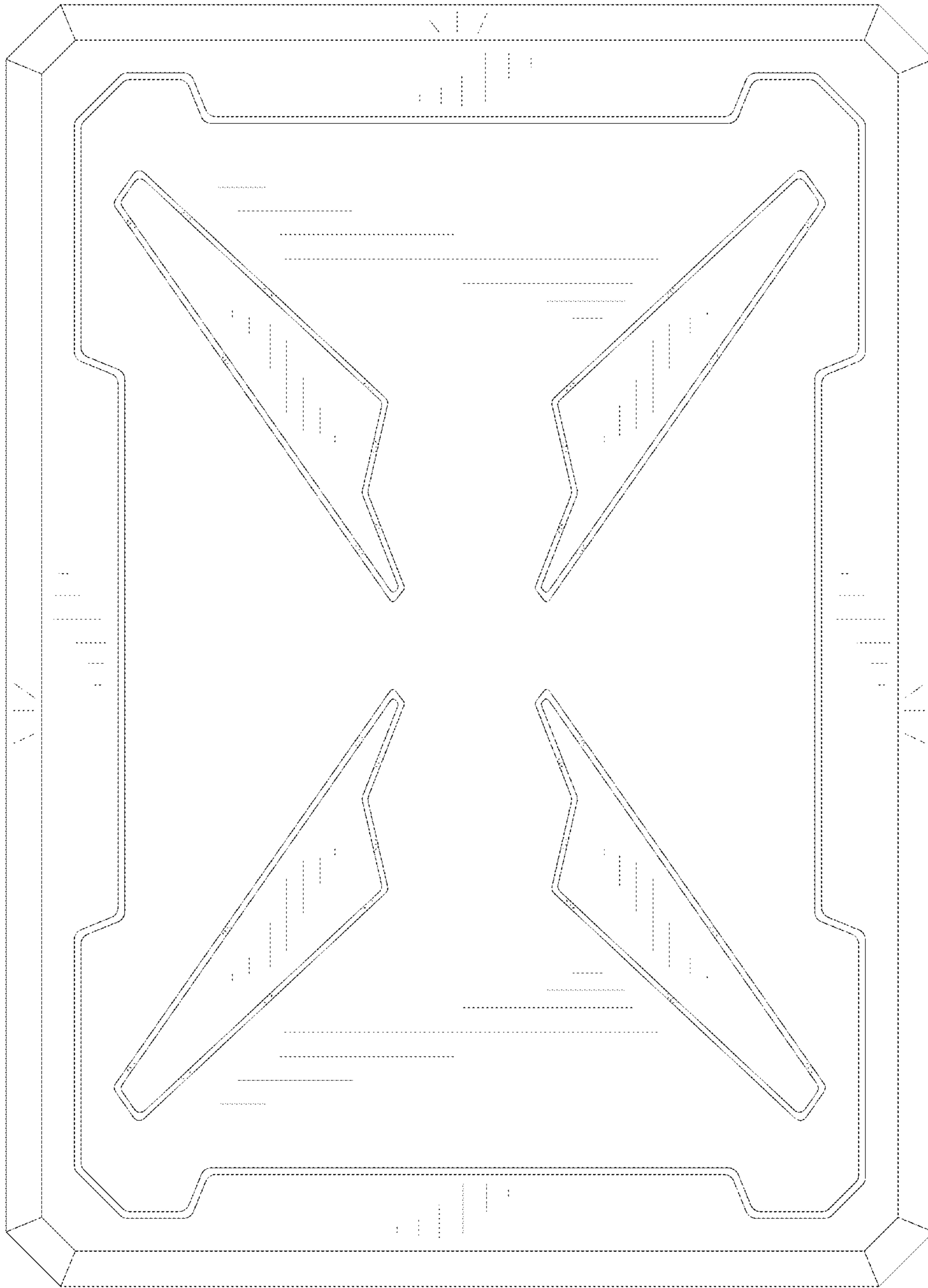


FIG. 2

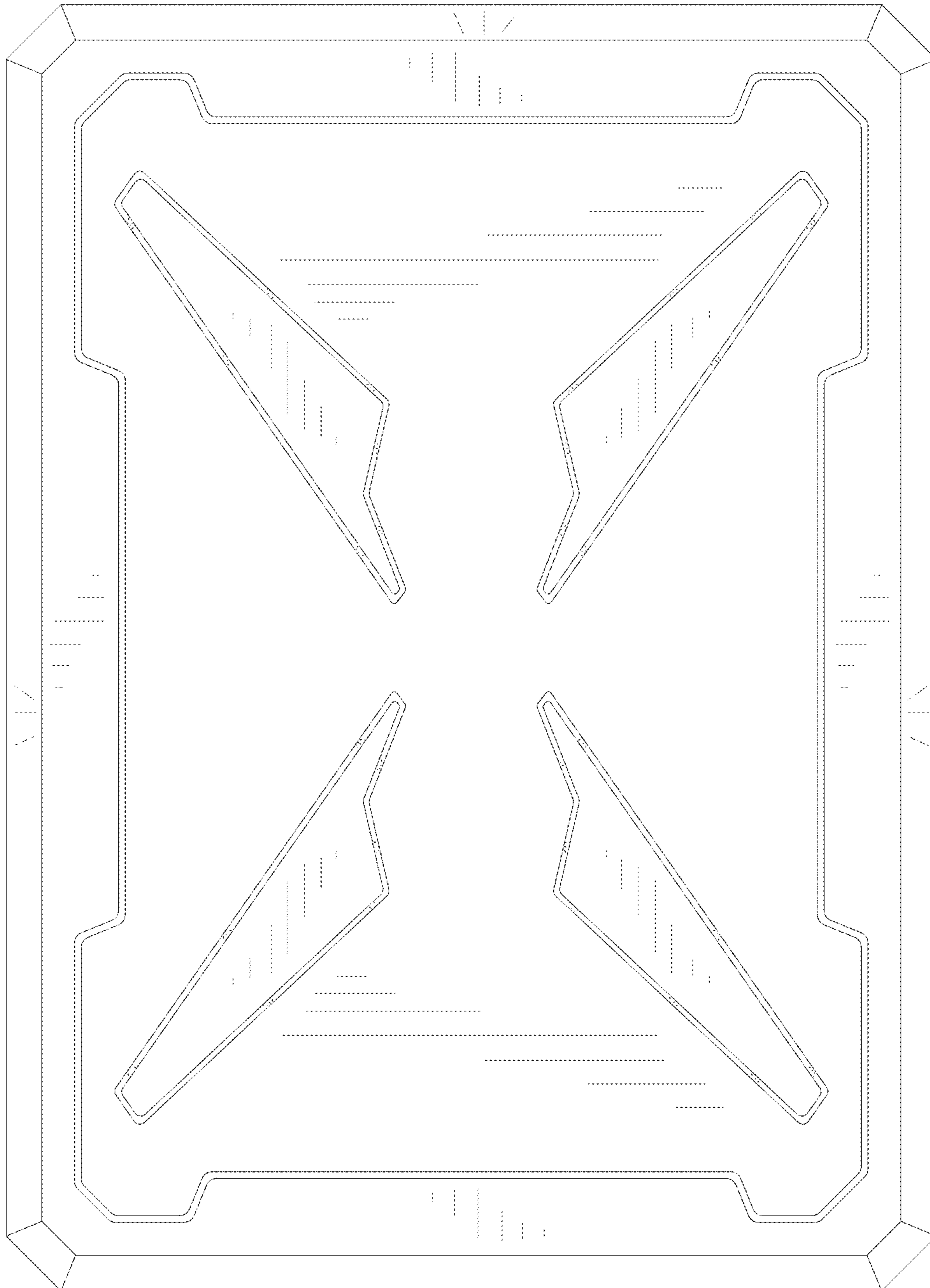


FIG. 3

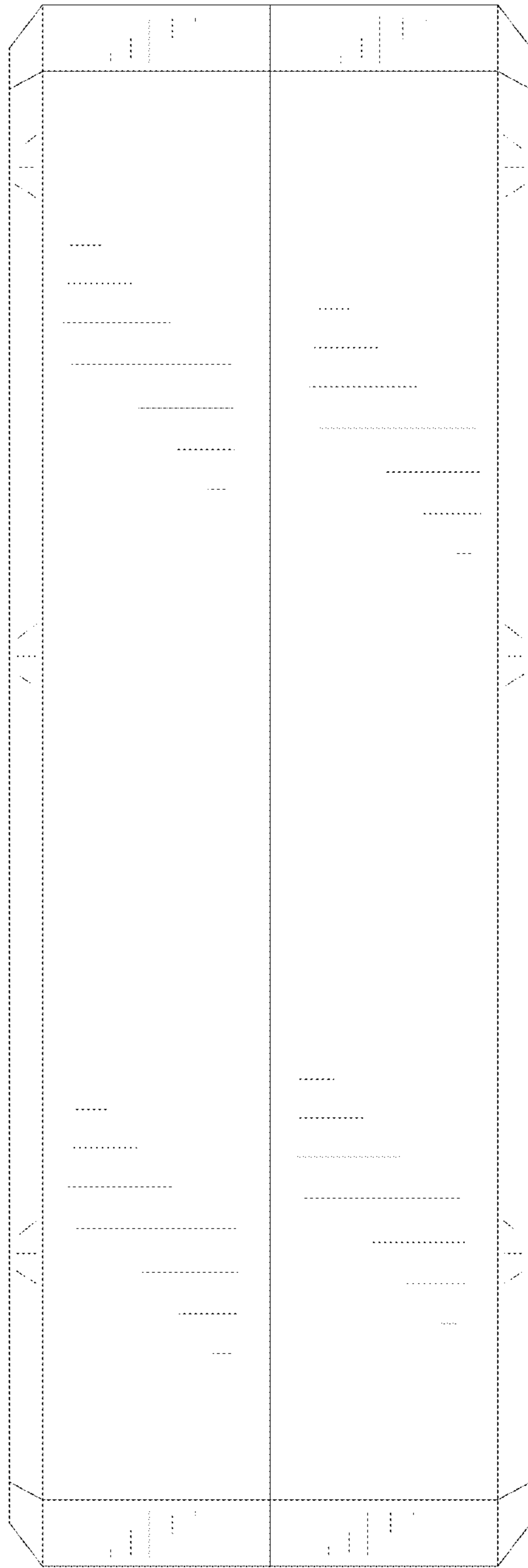


FIG. 4

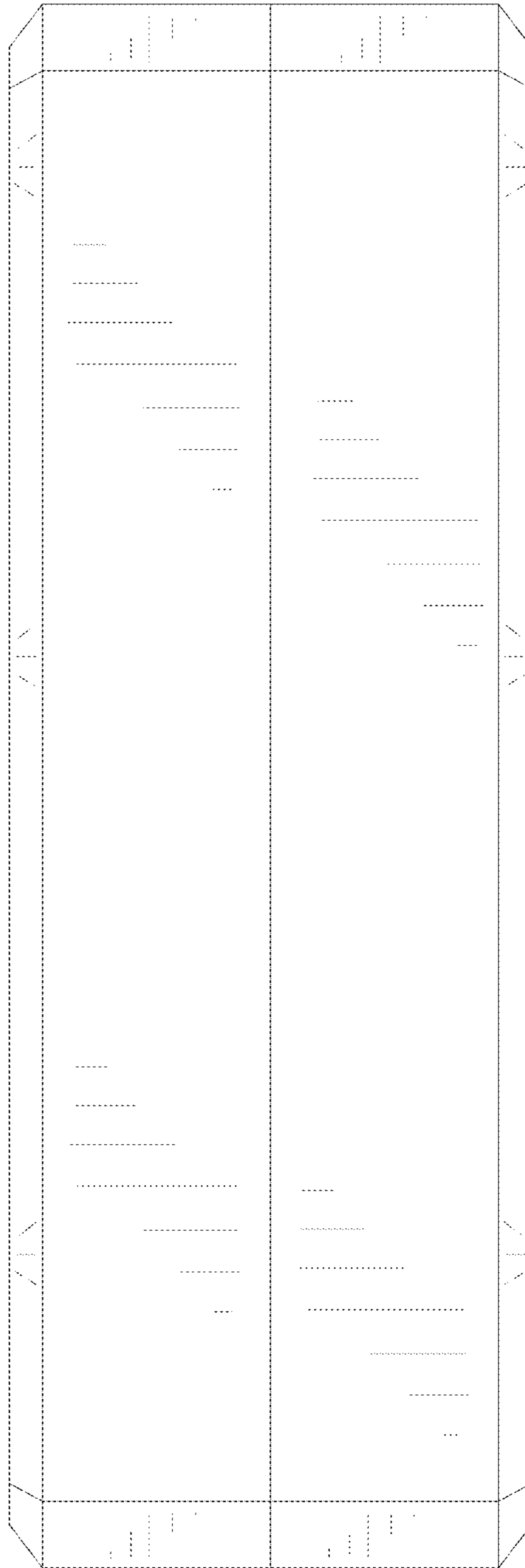


FIG. 5

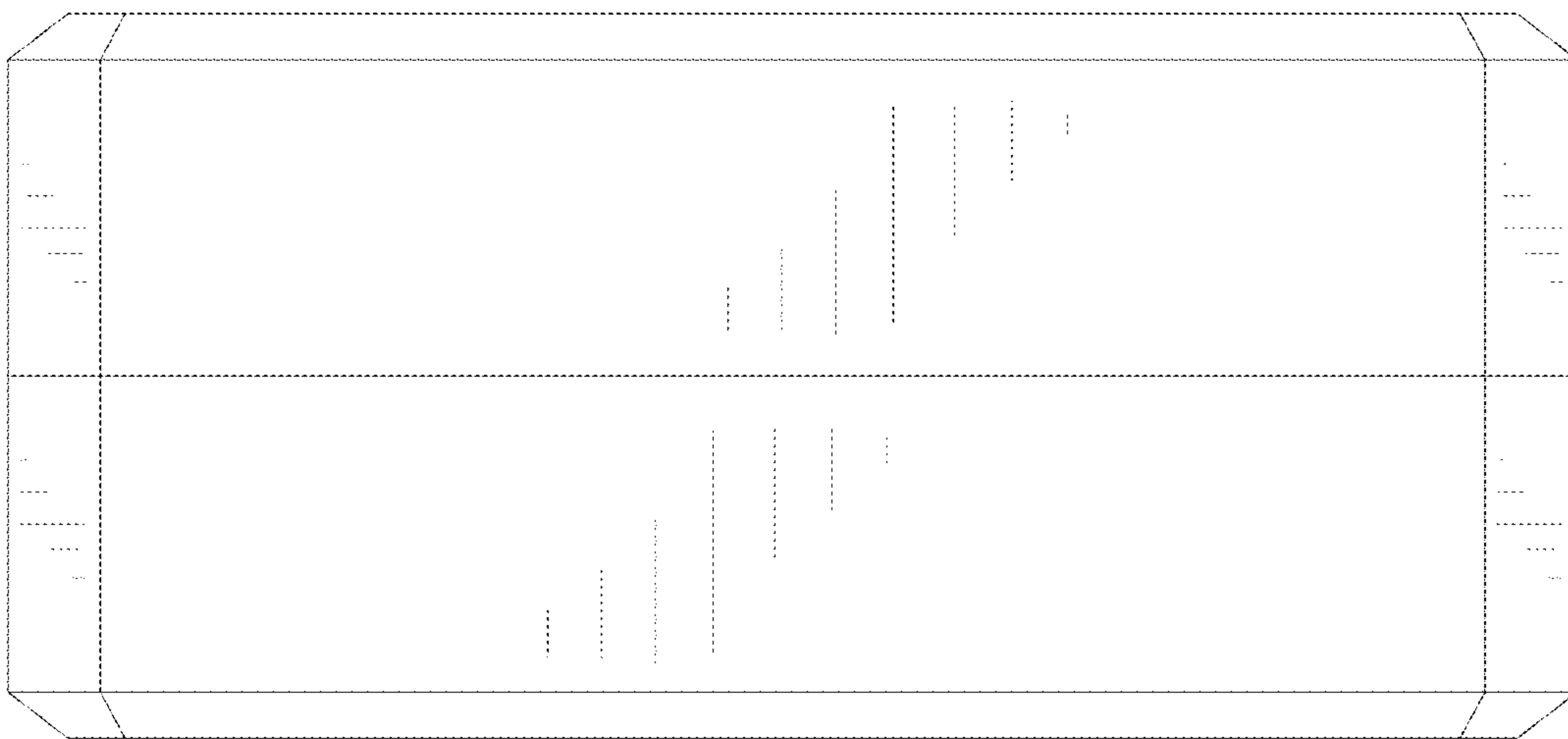


FIG. 6

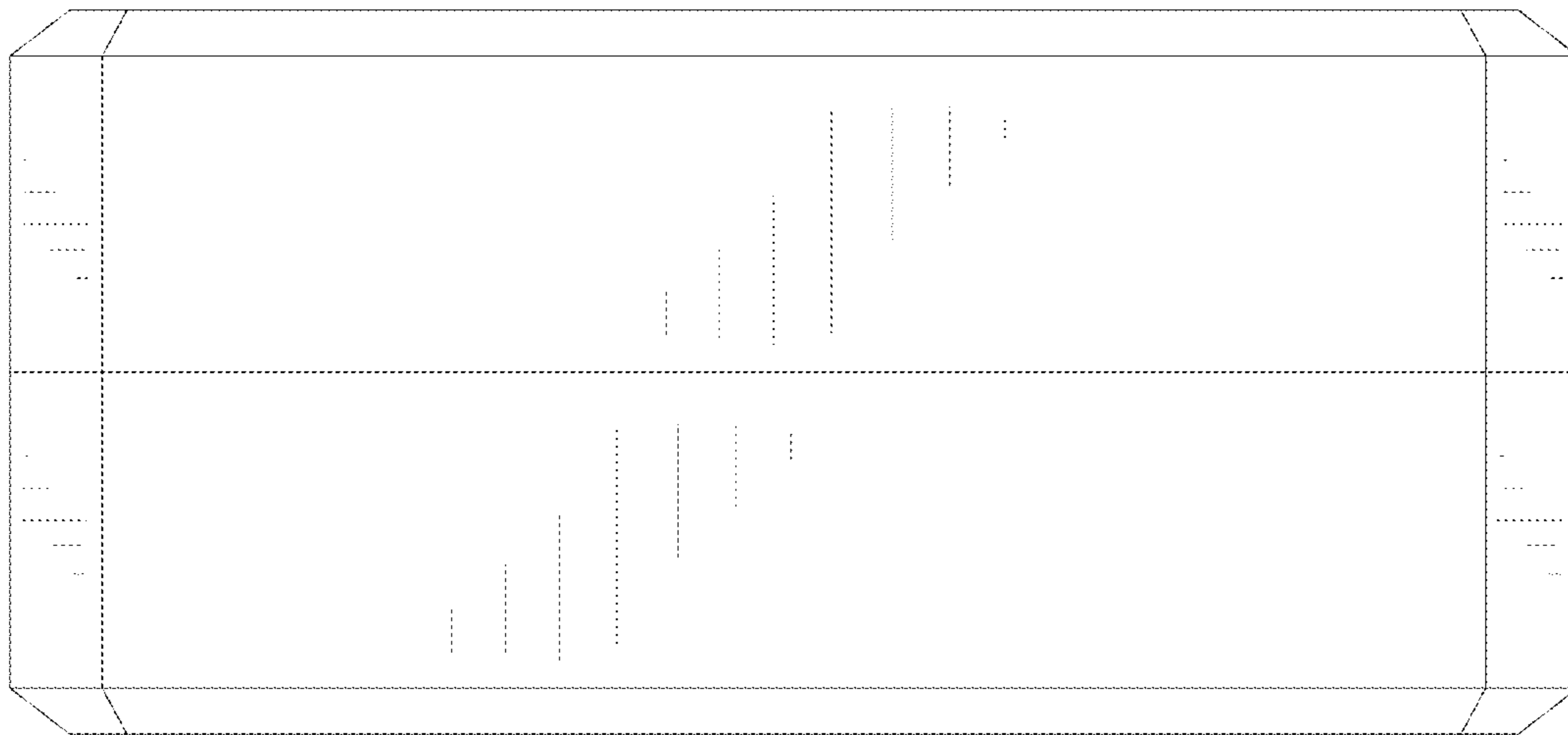


FIG. 7