



(12) **United States Design Patent** (10) **Patent No.:** **US D943,407 S**  
**Buckley et al.** (45) **Date of Patent:** **\*\* Feb. 15, 2022**

- (54) **TOOL CONNECTOR**  
(71) Applicant: **Unger Marketing International, LLC**,  
Bridgeport, CT (US)  
(72) Inventors: **James M. Buckley**, New Hartford, CT  
(US); **John Anthony Triunfo**, Fairfield,  
CT (US)  
(73) Assignee: **UNGER MARKETING**  
**INTERNATIONAL, LLC**, Bridgeport,  
CT (US)  
(\*\*) Term: **15 Years**  
(21) Appl. No.: **29/743,263**  
(22) Filed: **Jul. 20, 2020**

**Related U.S. Application Data**

- (62) Division of application No. 29/681,870, filed on Feb.  
28, 2019, now Pat. No. Des. 896,626.  
(51) **LOC (13) Cl.** ..... **08-08**  
(52) **U.S. Cl.**  
USPC ..... **D8/396; D8/399**  
(58) **Field of Classification Search**  
USPC ..... D8/397, 387, 499, 388, 394, 384, 399,  
D8/385, 381, 44, 14, 356, 355, 354, 352,  
D8/350, 349, 335, 334, 333, 331, 330,  
D8/70-74, 51-60, 15-29, 395, 396, 398;  
D9/443, 434; D32/51, 50, 39, 35  
CPC ..... B25G 3/18; F16C 35/073; F16C 19/06;  
Y10T 403/7011; Y10T 24/203; B23B  
51/123; B23B 31/20; H01R 24/525;  
H01R 9/05; H01R 9/0524; H01R 24/40;  
H01R 13/025; H01R 13/629; H01R  
2201/18; H01R 13/622; B42F 9/001;  
F16B 19/1081  
See application file for complete search history.

(56) **References Cited**

**U.S. PATENT DOCUMENTS**

- 3,990,727 A 11/1976 Gallagher  
4,477,096 A 10/1984 Giardino et al.  
(Continued)

**FOREIGN PATENT DOCUMENTS**

- CN 305284399 \* 8/2018  
CN 305388803 \* 1/2019

(Continued)

**OTHER PUBLICATIONS**

AQVA,aLUXE 2" Rubber Seal/Gasket,Date first available Jun. 12,  
2013, [online]retrieved Jun. 15, 2021,available from [https://www.amazon.com/LUXE-Rubber-Seal-Gasket-Hub/dp/B00DCVWEMQ/ref=bx\\_12/130-4064296-2864548?pd\\_rd\\_w=cCvVe&pf\\_rd\\_p=102ddb68-db8b-4386-90ae-25b75caef39e&pf\\_rd\\_r=D00W2PXR3XRGWXV4J631&pd\\_rd\\_r](https://www.amazon.com/LUXE-Rubber-Seal-Gasket-Hub/dp/B00DCVWEMQ/ref=bx_12/130-4064296-2864548?pd_rd_w=cCvVe&pf_rd_p=102ddb68-db8b-4386-90ae-25b75caef39e&pf_rd_r=D00W2PXR3XRGWXV4J631&pd_rd_r) (Year: 2013).\*

(Continued)

*Primary Examiner* — Keli L Hill

*Assistant Examiner* — Sara S Sahneh

(74) *Attorney, Agent, or Firm* — Cantor Colburn LLP

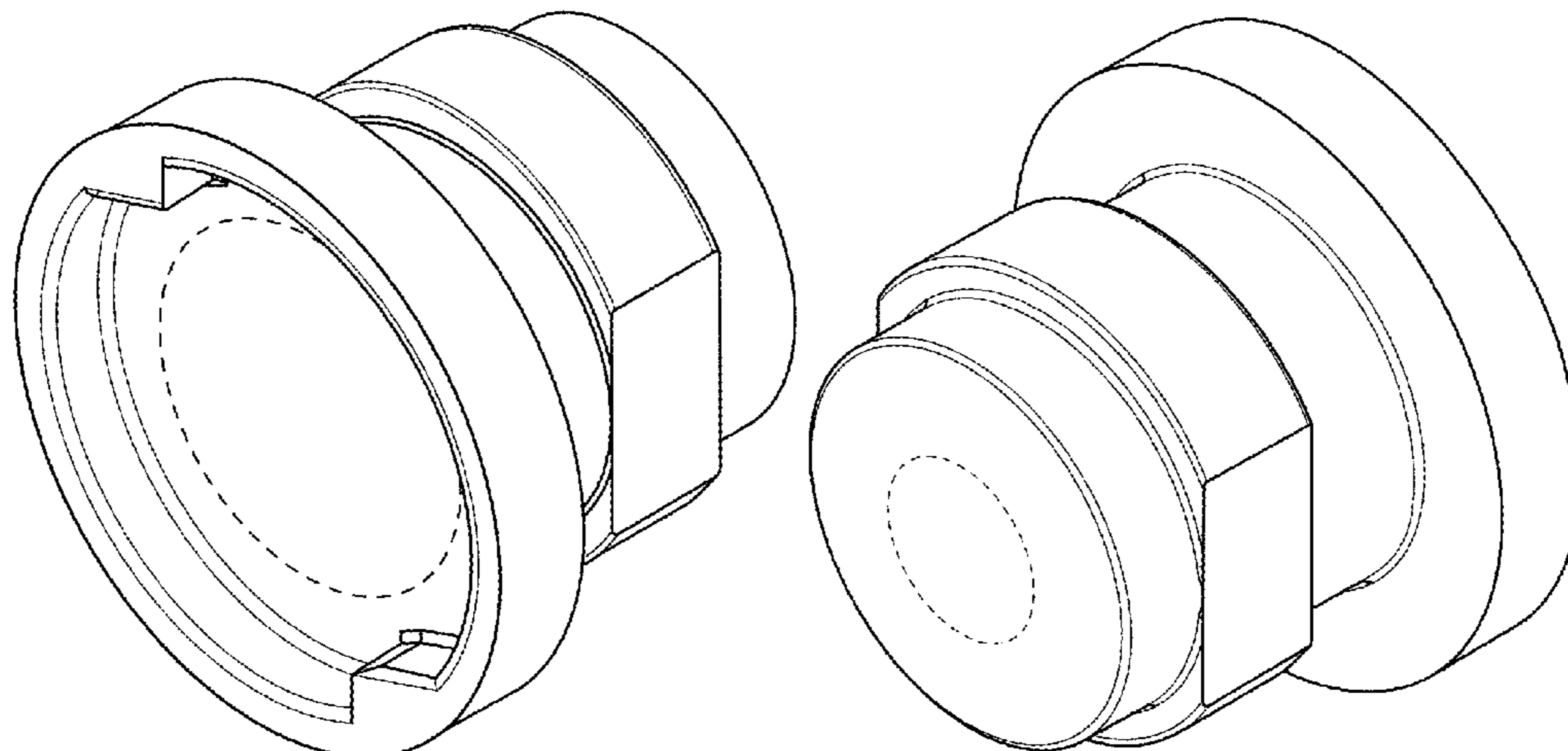
(57) **CLAIM**

We claim, the ornamental design for a tool connector, as shown and described.

**DESCRIPTION**

FIG. 1 is a front top perspective view of the design for a tool connector;  
FIG. 2 is a front bottom perspective view of the design of FIG. 1;  
FIG. 3 is a front view of the design of FIG. 1, the rear view being a mirror image thereof;  
FIG. 4 is a side view of the design of FIG. 1, the opposite side being a mirror image thereof;  
FIG. 5 is a top view of the design of FIG. 1; and,  
FIG. 6 is a bottom view of the design of FIG. 1.  
The broken lines shown in FIGS. 1, 2, 5, and 6 illustrate an unclaimed portion of the tool connector and form no part of the claimed design.

**1 Claim, 3 Drawing Sheets**



(56)

References Cited

U.S. PATENT DOCUMENTS

4,844,512 A 7/1989 Gahwiler  
 D327,120 S \* 6/1992 Ambrosi ..... D23/262  
 5,704,658 A 1/1998 Tozaki et al.  
 6,318,764 B1 11/2001 Trede et al.  
 7,413,366 B2 8/2008 Bensussan  
 D625,170 S 10/2010 McGrath  
 8,684,208 B2 4/2014 Hotell  
 D739,493 S \* 9/2015 Wyne ..... D23/200  
 D780,558 S 3/2017 Mouthaan  
 D785,441 S 5/2017 Katsuma  
 D789,187 S 6/2017 Vitou et al.  
 D815,516 S 4/2018 Karmarkar et al.  
 D854,915 S 6/2019 Beagen  
 D882,388 S 4/2020 Scramm et al.  
 D896,352 S \* 9/2020 Horning ..... D23/265  
 D915,175 S \* 4/2021 Buckley ..... D8/322  
 2007/0243013 A1 10/2007 Hewitt  
 2007/0290457 A1 12/2007 Walters  
 2009/0113651 A1 5/2009 Giacolo et al.  
 2009/0257843 A1 \* 10/2009 Bentrim ..... F16B 37/068  
 411/103  
 2011/0225750 A1 9/2011 Hirsch  
 2016/0083152 A1 3/2016 Eberlein  
 2016/0377207 A1 \* 12/2016 Witkowski ..... E21B 17/04  
 285/386  
 2018/0138603 A1 \* 5/2018 Balcer ..... H01R 13/426  
 2019/0386426 A1 12/2019 Watkins et al.  
 2020/0388957 A1 \* 12/2020 Montena ..... B25B 23/141  
 2021/0017833 A1 \* 1/2021 Saraya ..... E21B 34/14  
 2021/0060462 A1 \* 3/2021 Gaines ..... B01D 35/16  
 2021/0075156 A1 \* 3/2021 Hobmaier ..... H01R 13/6277  
 2021/0086964 A1 \* 3/2021 Desjardins ..... B65D 50/046  
 2021/0159635 A1 \* 5/2021 Baldus-Kunze ..... H01R 13/025

FOREIGN PATENT DOCUMENTS

CN 306057553 \* 5/2020  
 CN 306260389 \* 7/2020  
 JP D1199979 5/2003  
 KR 3006160350000 9/2011  
 KR 3008341280000 7/2015  
 KR 300928723.0000 \* 4/2017  
 KR 3010303440000 4/2019  
 KR 3010467300000 5/2019

OTHER PUBLICATIONS

Fielect, Cable Gland Corrugated Tube Connector, Date first available Sep. 2, 2020, [online]retrieved Jun. 14, 2021,available from [https://www.amazon.com/dp/B08H7M9M5Y/ref=sspa\\_dk\\_detail\\_4?psc=1&pd\\_rd\\_i=B08H7M9M5Y&pd\\_rd\\_w=i17Aw&pf\\_rd\\_p=91afecf5-8b2e-41e2-9f11-dc6992c6eaa1&pd\\_rd\\_wg=kj4Dp&pf\\_rd\\_r=C7TP63E](https://www.amazon.com/dp/B08H7M9M5Y/ref=sspa_dk_detail_4?psc=1&pd_rd_i=B08H7M9M5Y&pd_rd_w=i17Aw&pf_rd_p=91afecf5-8b2e-41e2-9f11-dc6992c6eaa1&pd_rd_wg=kj4Dp&pf_rd_r=C7TP63E) (Year: 2020).\*

Fluentpower Store, Standard Garden Hose Fitting, Date first available Apr. 16, 2018, [online]retrieved Jun. 14, 2021,available from [https://www.amazon.com/FLUENTPOWER-Standard-Fitting-Submersible-Convert/dp/B07QNKK939/ref=sr\\_1\\_20?dchild=1&keywords=Ez+Lay+Drain&qid=1623717383&sr=8-20](https://www.amazon.com/FLUENTPOWER-Standard-Fitting-Submersible-Convert/dp/B07QNKK939/ref=sr_1_20?dchild=1&keywords=Ez+Lay+Drain&qid=1623717383&sr=8-20) (Year: 2018).\*

Plumb Do,Do it Plastic Ball Cock Coupling Nut, Date first available Nov. 9, 2006, [online]retrieved May 18, 2020, availablefrom internet, [www.amazon.com](http://www.amazon.com) (Year: 2006).

SharkBite, SharkBite UC526LFA Pex Swivel Adapter, 1/2" x1/2", Brass, Date first available May 7, 2012, [online] retrieved May 18, 2020, available from internet, [www.amazon.com](http://www.amazon.com) (Year: 2012).

SharkBite, SharkBite UC526LFA10 1/2" Female Swivel x PEX Barb Fitting Adapter, Date first available Mar. 2, 2015, [online] retrieved May 18, 2020, available from internet, [www.amazon.com](http://www.amazon.com) (Year: 2015).

\* cited by examiner

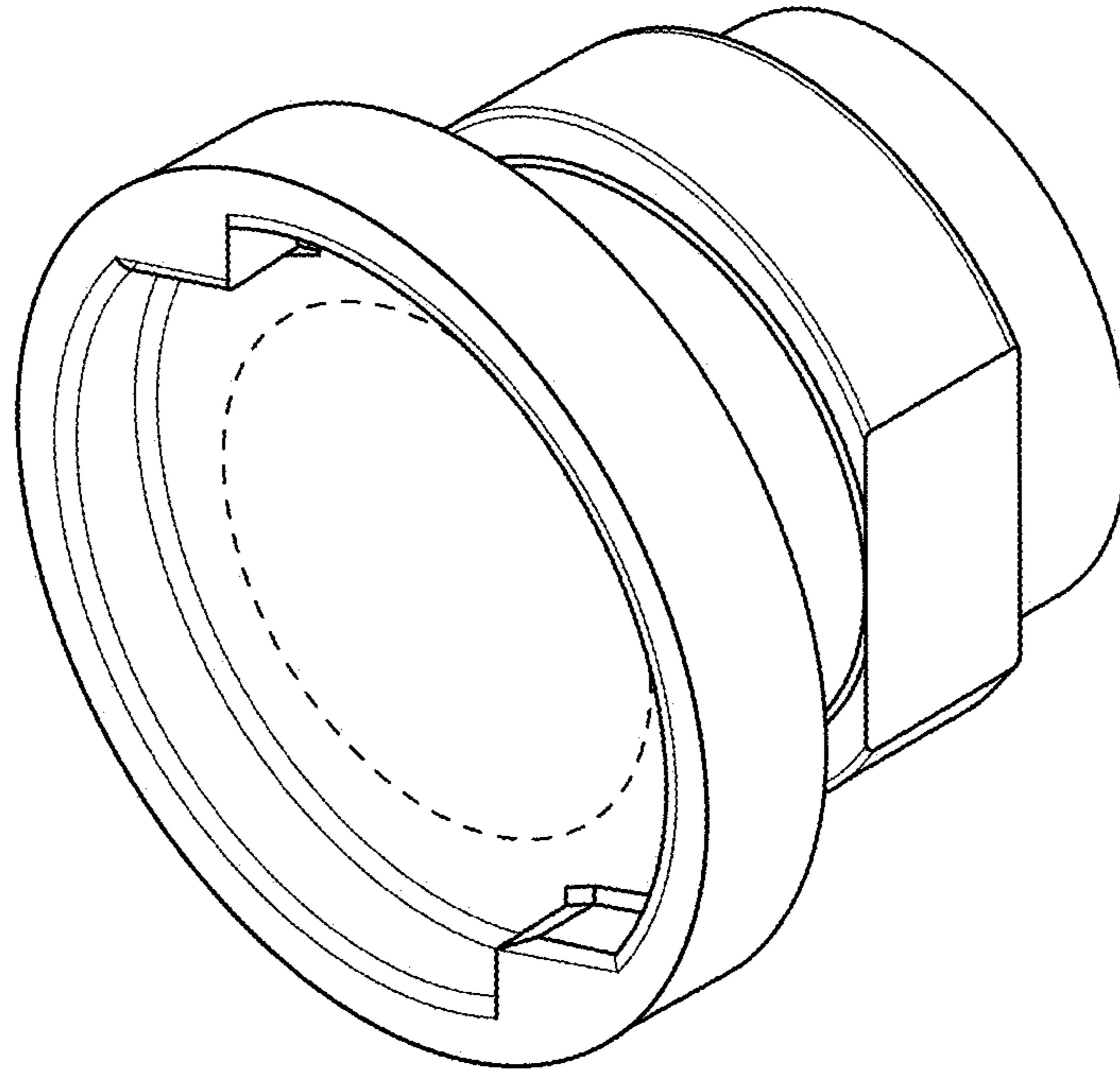


FIG. 1

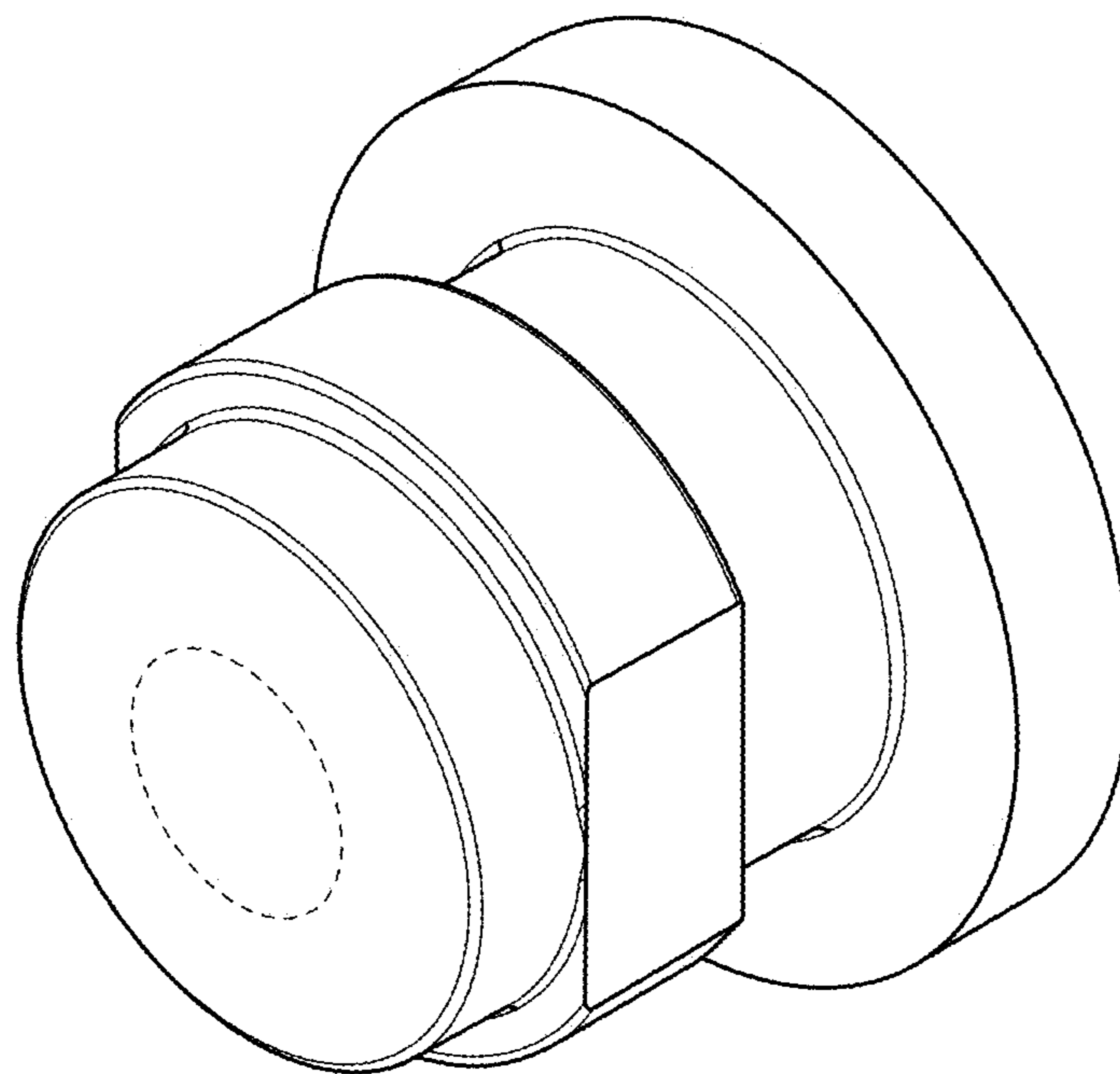


FIG. 2

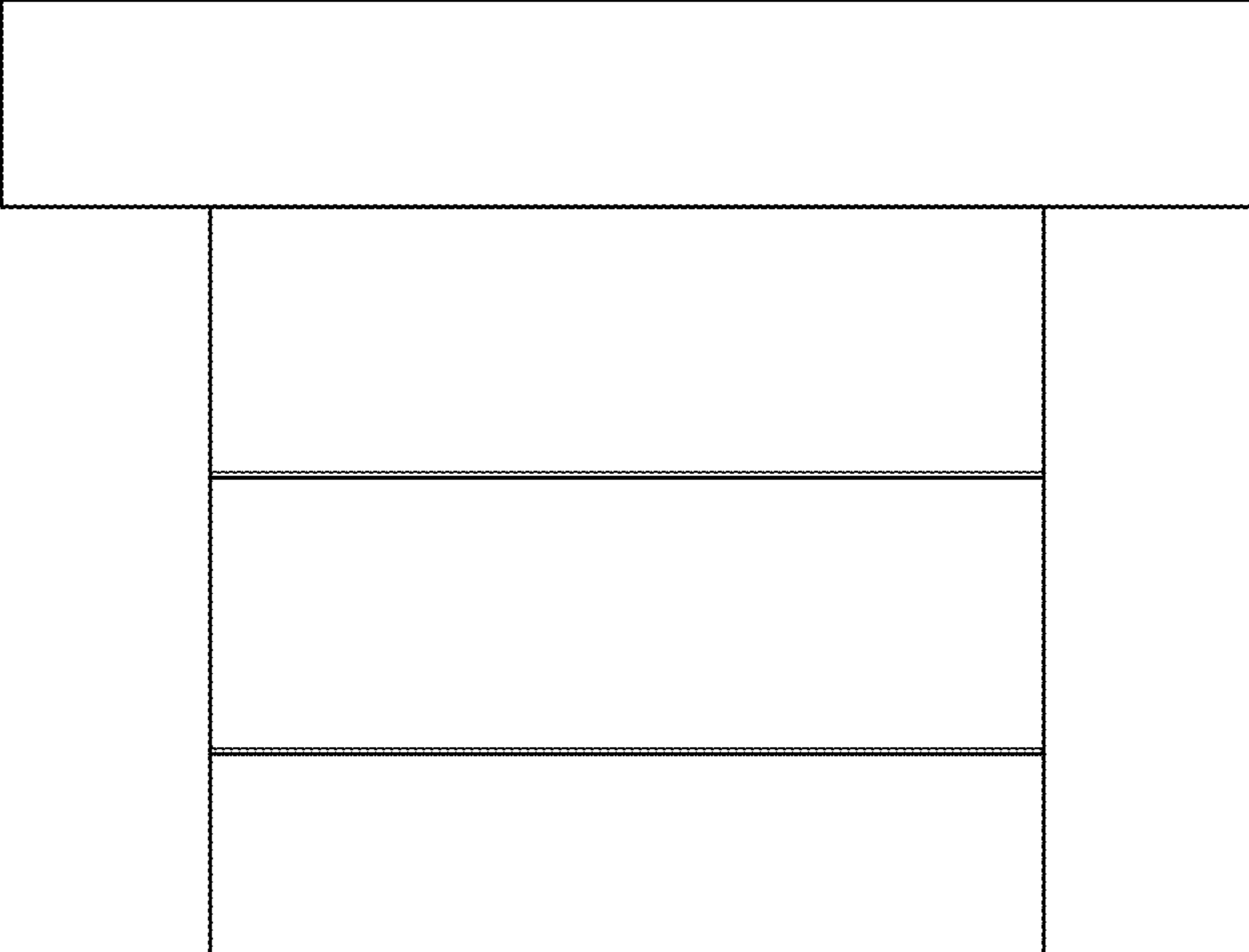


FIG. 3

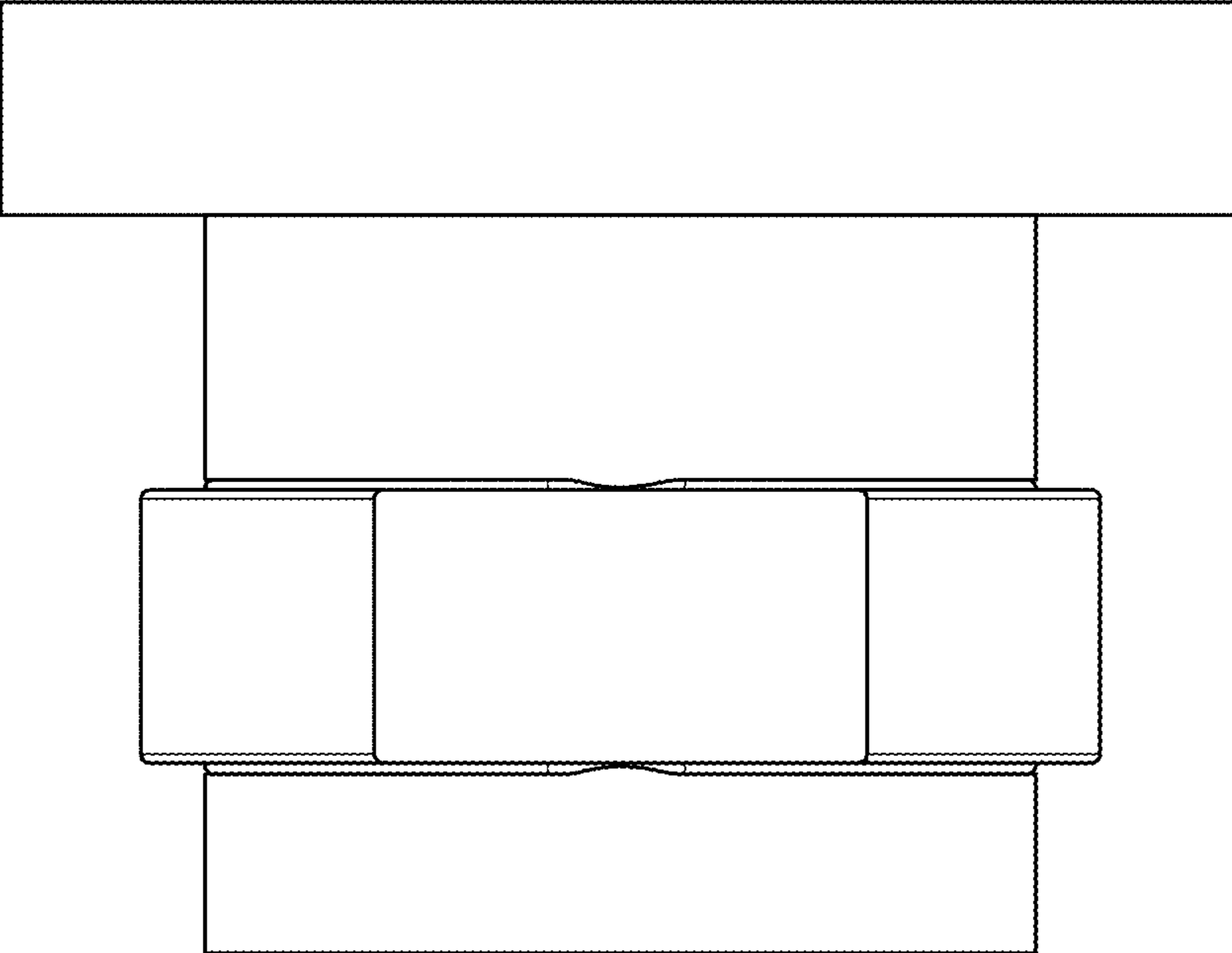


FIG. 4

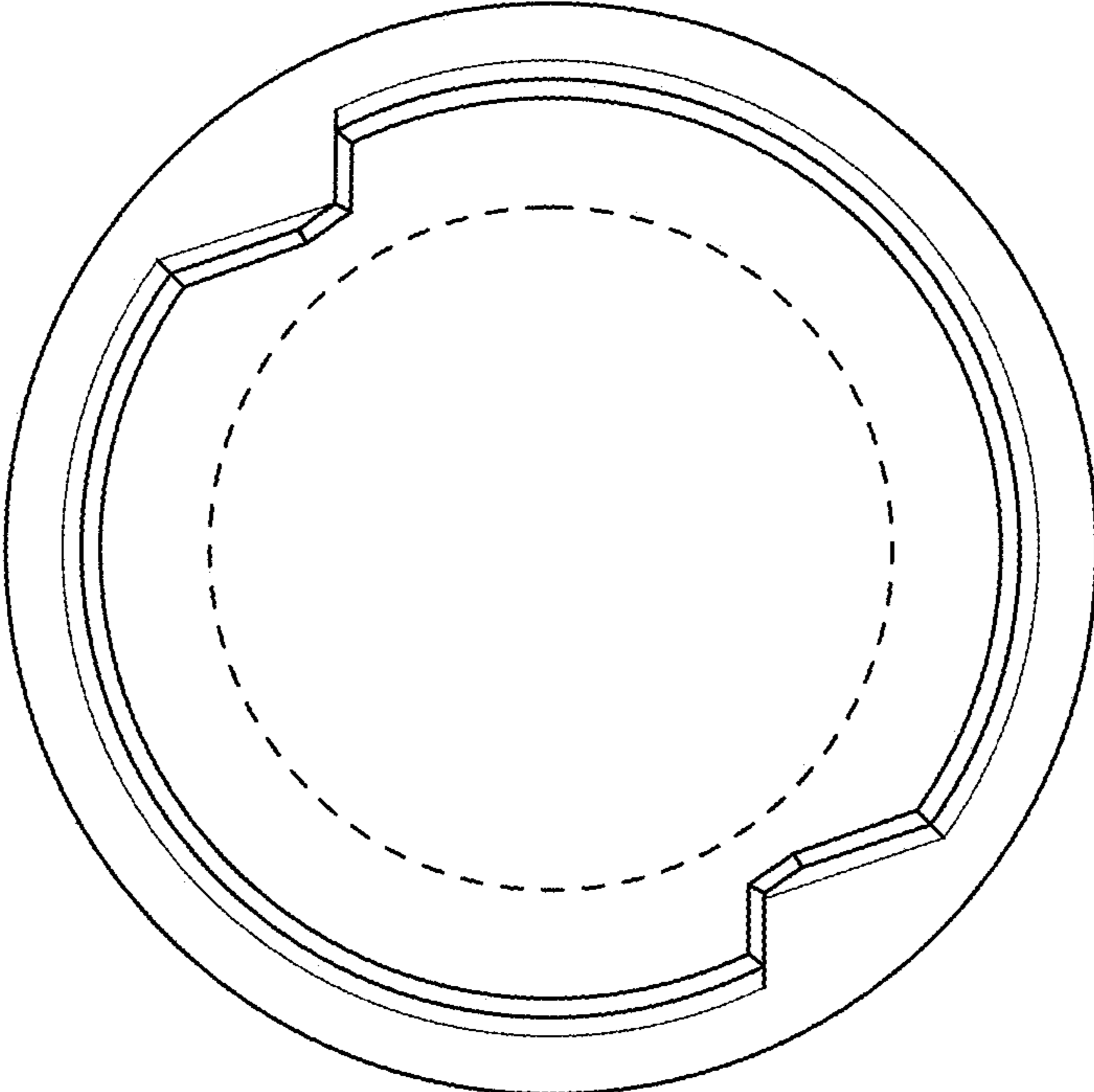


FIG. 5

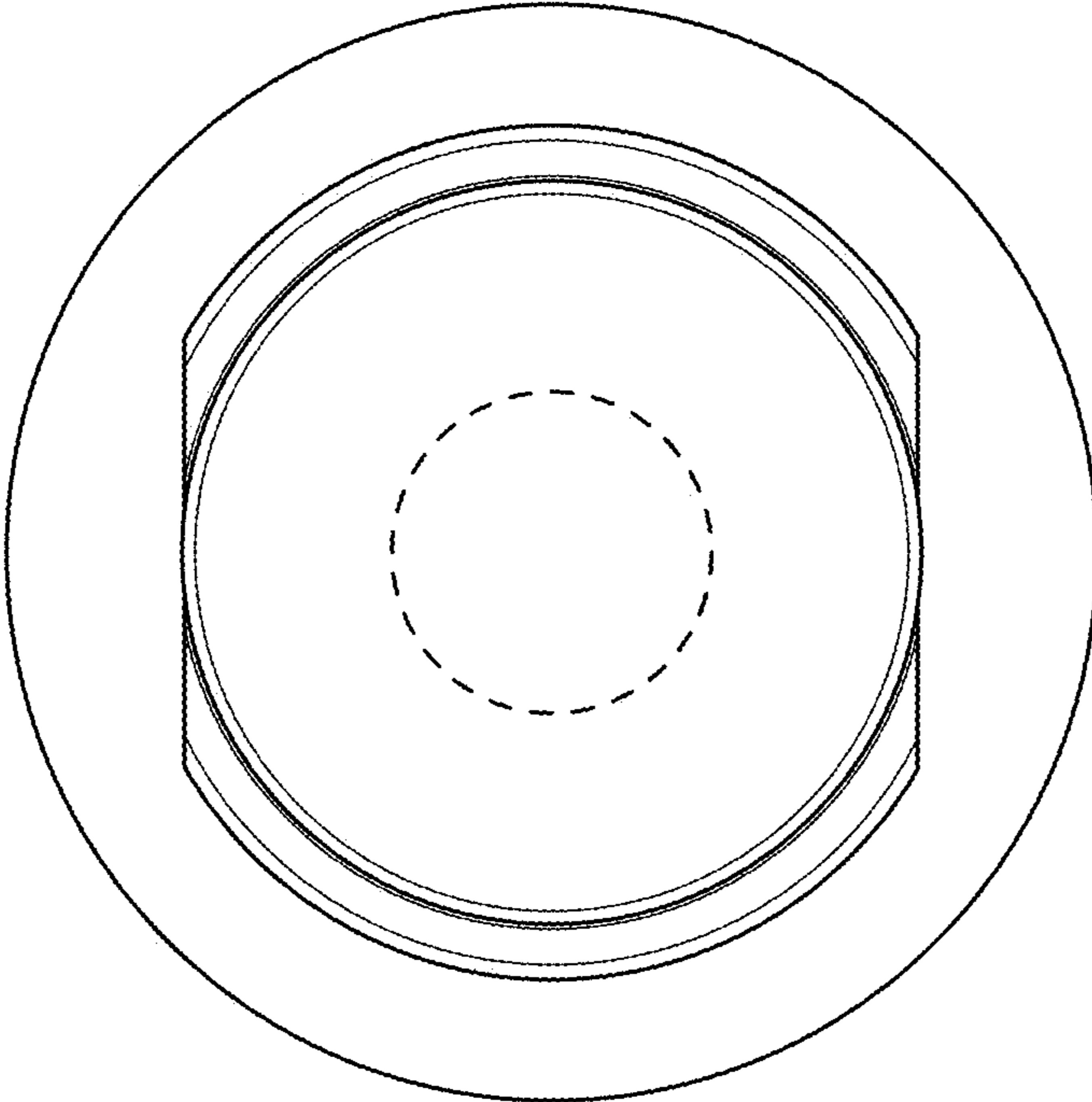


FIG. 6