



US00D943406S

(12) **United States Design Patent** (10) **Patent No.:** **US D943,406 S**  
**Corbit et al.** (45) **Date of Patent:** **\*\* Feb. 15, 2022**

(54) **TAP**  
(71) Applicants: **Devin Corbit**, Richmond, TX (US);  
**Damon Kuhn**, Needville, TX (US)  
(72) Inventors: **Devin Corbit**, Richmond, TX (US);  
**Damon Kuhn**, Needville, TX (US)  
(\*\*) Term: **15 Years**

6,499,920 B2 12/2002 Sawabe  
7,150,588 B2 12/2006 Hakansson  
D605,933 S \* 12/2009 Gaudron ..... D8/385  
(Continued)

FOREIGN PATENT DOCUMENTS

EP 2511541 10/2014  
WO WO 2007090600 8/2007  
WO WO 2019130142 7/2019

(21) Appl. No.: **29/708,236**  
(22) Filed: **Oct. 4, 2019**  
(51) **LOC (13) Cl.** ..... **08-08**  
(52) **U.S. Cl.**  
USPC ..... **D8/387**  
(58) **Field of Classification Search**  
USPC ..... D8/358, 373, 385, 386-388, 393, 402,  
D8/349, 382, 396-397; D11/79, 86, 222,  
D11/226; D17/20; D24/171  
CPC ..... F16B 12/22; F16B 12/24; F16B 12/125;  
F16B 37/14; F16B 12/20; F16B 12/26;  
F16B 13/045; F16B 19/109; F16B  
2001/0064; F16B 31/021; F16B 35/00;  
F16B 37/085; F16B 37/145; E04B  
1/4178; E04B 1/7616  
See application file for complete search history.

OTHER PUBLICATIONS

“JTC Spark Plug Hole Thread Chaser. JTC Tools # 1618” available  
at <https://www.ebay.com/itm/JTC-Spark-Plug-Hole-Thread-Chaser-JTC-Tools-1618-/183131189857> (last accessed Jul. 22, 2019).  
(Continued)

*Primary Examiner* — Susan Bennett Hattan  
*Assistant Examiner* — Elizabeth S Ko  
(74) *Attorney, Agent, or Firm* — Schultz & Associates,  
P.C.

(57) **CLAIM**

The ornamental design for a tap, as shown and described.

**DESCRIPTION**

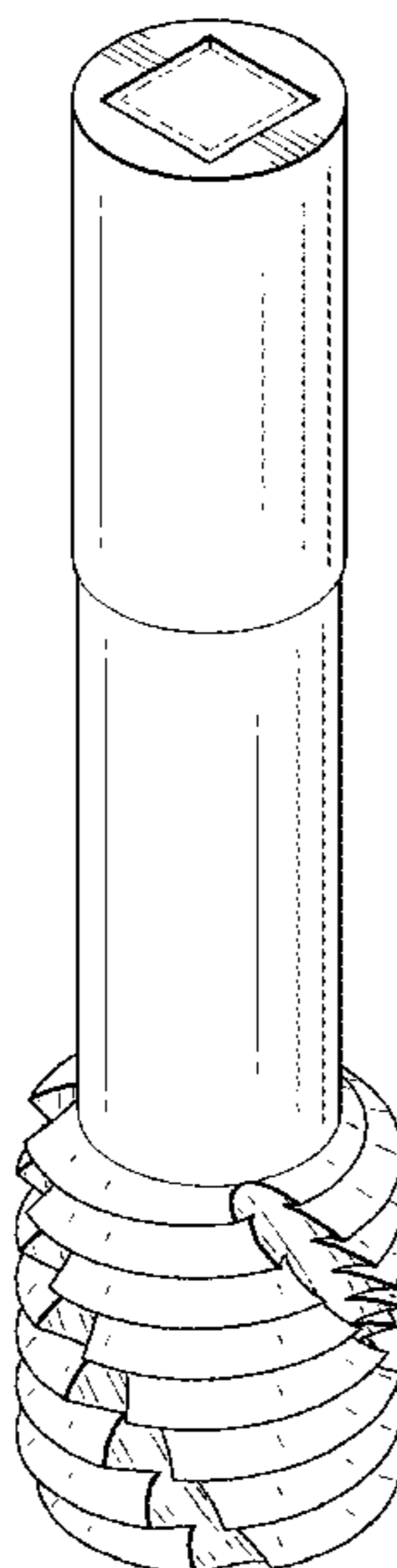
FIG. 1 is a perspective view of a tap, showing my design;  
FIG. 2 is a front elevation view thereof, showing my design;  
FIG. 3 is a rear elevation view thereof, showing my design;  
FIG. 4 is right side elevation view thereof, showing my  
design;  
FIG. 5 is a left side elevation view thereof, showing my  
design;  
FIG. 6 is a top plan view thereof, showing my design; and,  
FIG. 7 is a bottom plan view thereof, showing my design.  
The broken lines in the drawings depict parts of the tap that  
form no part of the claimed design.

(56) **References Cited**

U.S. PATENT DOCUMENTS

1,093,331 A 4/1914 Jaques  
4,111,442 A 9/1978 Wawrzynia  
4,412,764 A 11/1983 Wawrzyniak  
4,708,542 A 11/1987 Emanuelli  
4,856,946 A 8/1989 Park  
5,160,225 A \* 11/1992 Chern ..... F16B 13/002  
408/203.5  
D378,052 S \* 2/1997 Perreault ..... D8/387  
6,244,142 B1 6/2001 Swanson  
D462,895 S \* 9/2002 Gaudron ..... D8/385

**1 Claim, 2 Drawing Sheets**



(56)

References Cited

U.S. PATENT DOCUMENTS

7,736,100 B2 6/2010 Evans  
 D642,900 S \* 8/2011 McDuff ..... D8/385  
 8,052,360 B2 11/2011 Strom  
 D666,901 S \* 9/2012 Surjan ..... D8/387  
 D669,772 S \* 10/2012 Fox ..... D8/387  
 8,844,941 B1 9/2014 Dickrede  
 8,931,980 B2 1/2015 Knecht  
 8,944,728 B2 2/2015 Vokel  
 9,227,256 B2 1/2016 Emerson  
 D792,549 S \* 7/2017 McKillips ..... D22/108  
 9,962,784 B2 5/2018 Bohm  
 D828,148 S \* 9/2018 Camilleri ..... D8/387  
 D830,820 S \* 10/2018 Sweeney ..... D8/387  
 D831,475 S \* 10/2018 Sweeney ..... D8/387  
 D843,825 S \* 3/2019 Wang ..... D8/385  
 10,245,665 B2 4/2019 Woods  
 D848,251 S \* 5/2019 Wang ..... D8/385  
 D853,830 S \* 7/2019 Wang ..... D8/387  
 D863,050 S \* 10/2019 Chao ..... D8/387

D879,598 S \* 3/2020 Pring ..... D8/387  
 D882,385 S \* 4/2020 Tjerrild ..... D8/387  
 D885,874 S \* 6/2020 Hsiao ..... D8/387  
 D887,259 S \* 6/2020 Schwarzmans ..... D8/387  
 D892,604 S \* 8/2020 Tsai ..... D8/387  
 D895,411 S \* 9/2020 Camilleri ..... D8/387  
 D899,238 S \* 10/2020 Scott ..... D8/387  
 2007/0082746 A1 4/2007 Rigdon  
 2012/0243953 A1 9/2012 Orberndorfer  
 2015/0023749 A1 1/2015 Wheatley  
 2015/0158101 A1 6/2015 Evans  
 2019/0176255 A1 6/2019 Kopton

OTHER PUBLICATIONS

“ABN Oxygen Sensor Thread Chaser, M18 x 1.5 Oxygen Sensor Socket Rethread Tool” available at <https://www.ebay.com/itm/ABN-Oxygen-Sensor-Thread-Chaser-M18-x-1-5-Oxygen-Sensor-Socket-Rethread-Tool-/231779043341> (last accessed Jul. 22, 2019).

\* cited by examiner

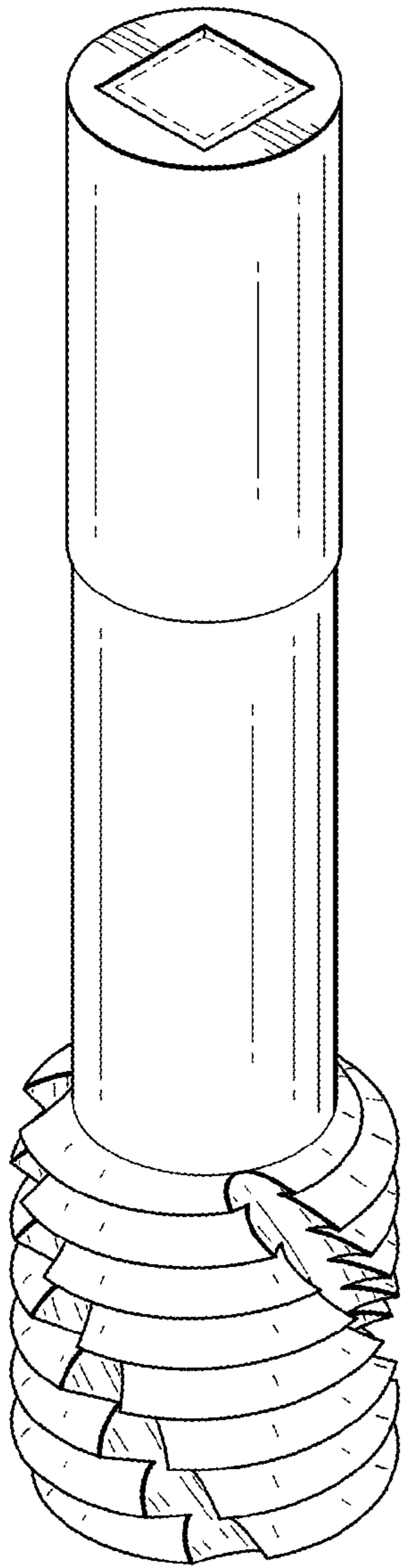


FIG. 1

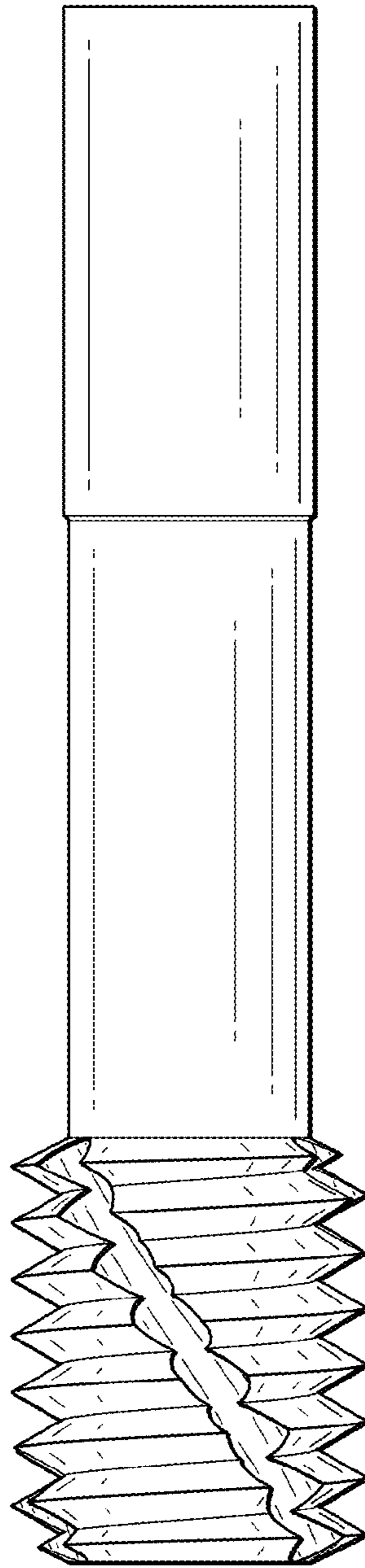


FIG. 2

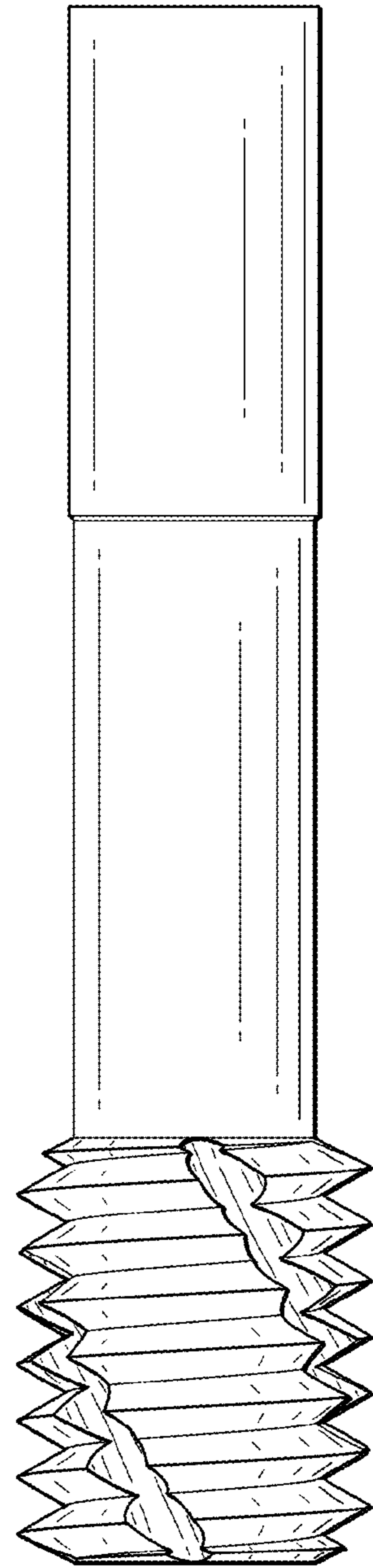


FIG. 3



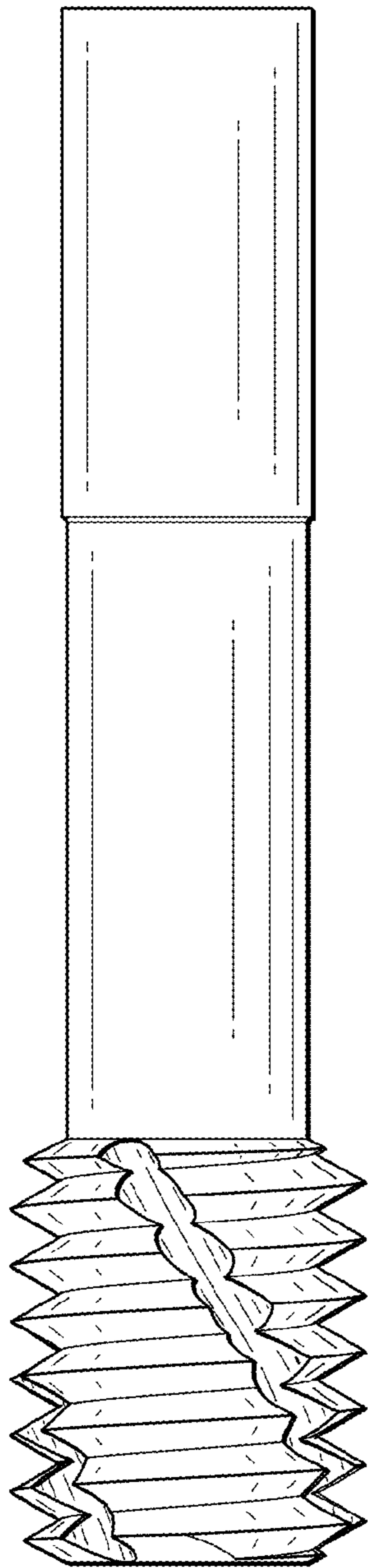


FIG. 4

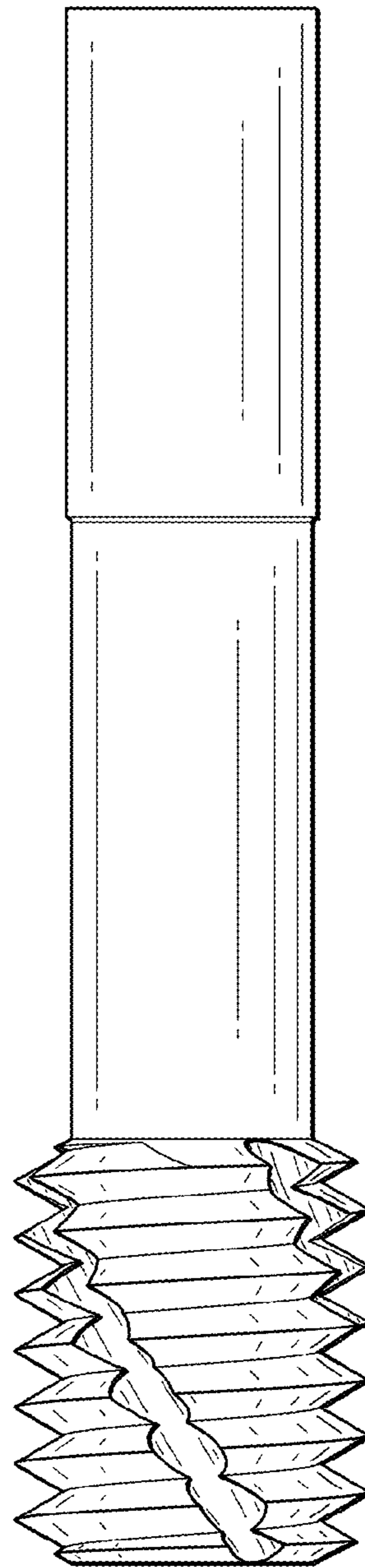


FIG. 5

FIG. 6

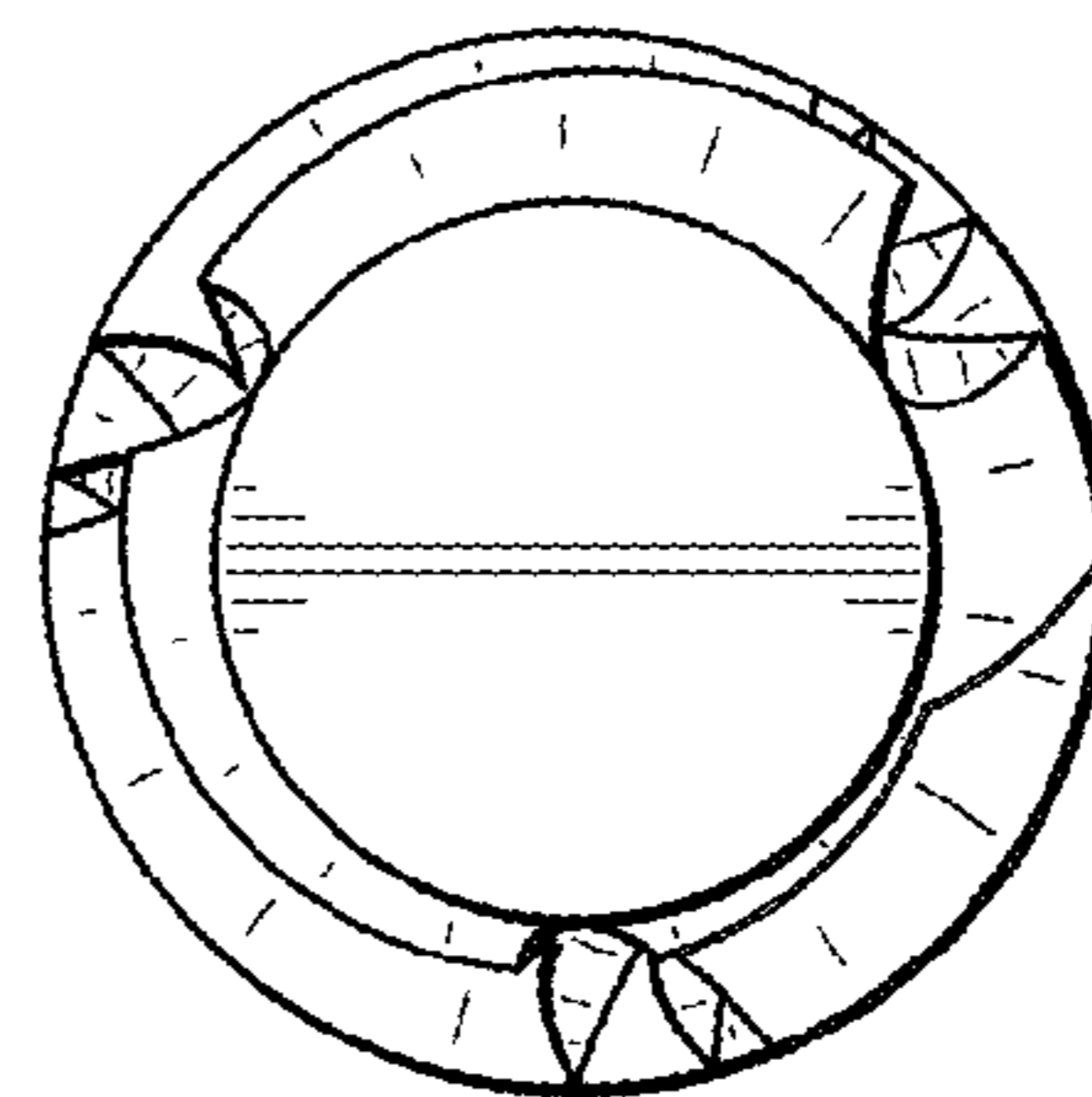
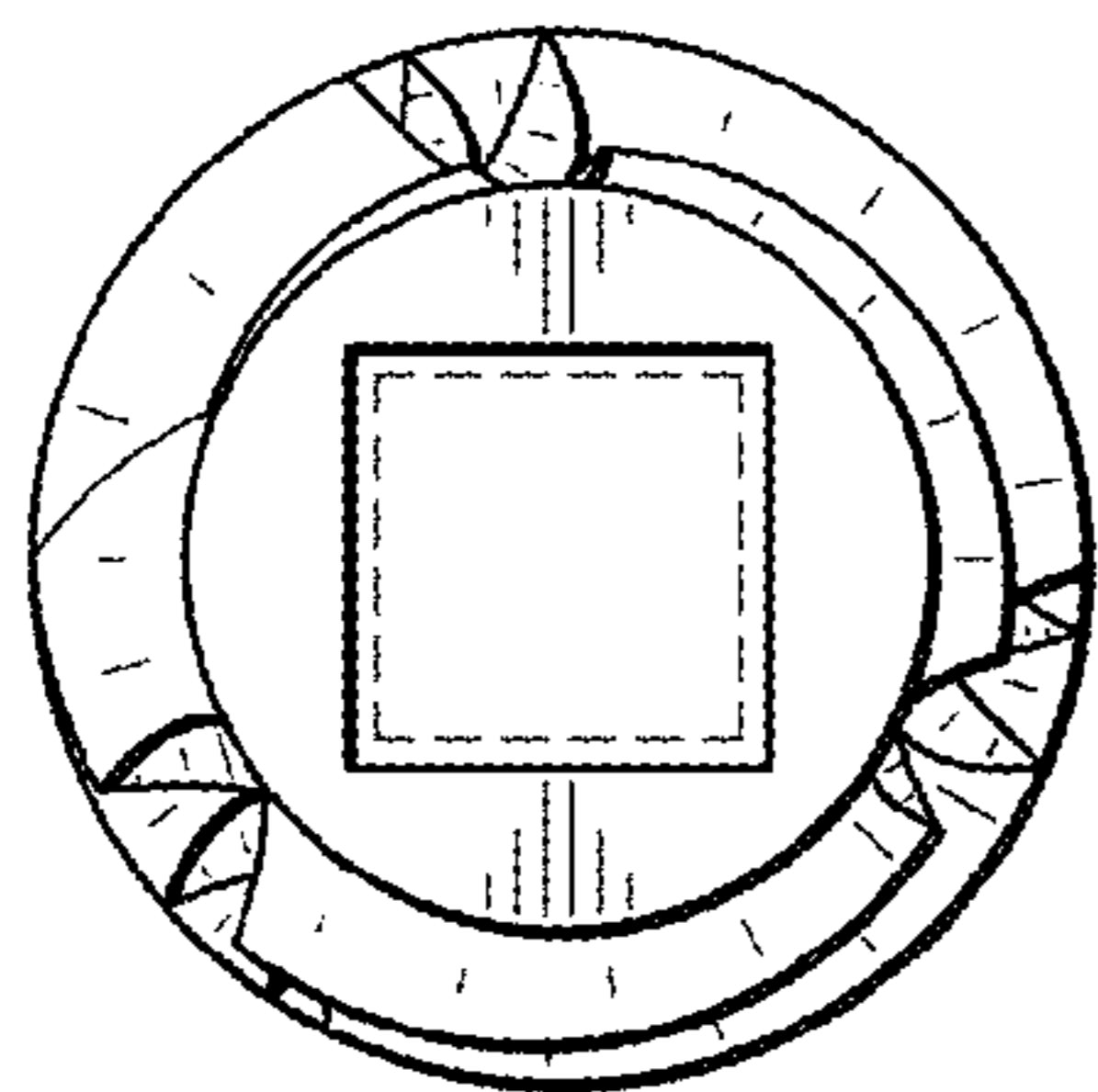


FIG. 7