



US00D943405S

(12) **United States Design Patent**
Lugo et al.

(10) **Patent No.:** **US D943,405 S**
(45) **Date of Patent:** **** Feb. 15, 2022**

(54) **ROOFING MEMBRANE SEAM PLATE**

(71) Applicant: **Talan Products, Inc.**, Cleveland, OH (US)

(72) Inventors: **Miguel Lugo**, Brunswick, OH (US);
Stephen C. Peplin, Chagrin Falls, OH (US)

(73) Assignee: **Talan Products, Inc.**, Cleveland, OH (US)

(**) Term: **15 Years**

(21) Appl. No.: **29/723,743**

(22) Filed: **Feb. 10, 2020**

(51) **LOC (13) Cl.** **08-08**

(52) **U.S. Cl.**
USPC **D8/382**

(58) **Field of Classification Search**
USPC D8/382, 383; D25/139
CPC E04D 5/14; E04D 5/142; E04D 5/145;
E04D 3/38; E04D 2001/3467; E04D 1/36;
E04D 1/365
See application file for complete search history.

(56) **References Cited**

U.S. PATENT DOCUMENTS

1,435,134 A	11/1922	Boley	
2,334,406 A	11/1943	Gray	
4,361,997 A	12/1982	DeCaro	
4,380,413 A	4/1983	Dewey	
4,455,804 A	6/1984	Francovitch	
4,467,581 A	8/1984	Francovitch	
4,476,660 A	10/1984	Francovitch	
4,520,606 A	6/1985	Francovitch	
4,619,094 A *	10/1986	Yang	E04D 5/147 135/119
4,630,984 A	12/1986	Reinwall et al.	
4,631,433 A	12/1986	Stokes	

4,641,472 A	2/1987	Young et al.
4,726,164 A	2/1988	Reinwall et al.
4,744,187 A	5/1988	Tripp
4,757,661 A	7/1988	Hasan
4,763,456 A	8/1988	Giannuzzi
4,787,188 A	11/1988	Murphy
4,803,823 A	2/1989	Stenson
4,900,208 A	2/1990	Kaiser et al.
4,945,699 A	8/1990	Murphy
4,987,714 A	1/1991	Lemke
5,018,329 A	5/1991	Hasan et al.
5,069,589 A	12/1991	Lemke
5,102,275 A	4/1992	Hulsey
5,217,339 A	6/1993	O'Connor et al.
5,255,485 A	10/1993	Lemke et al.
5,267,423 A	12/1993	Giznuzzi

(Continued)

FOREIGN PATENT DOCUMENTS

CA	2488619 A1 *	7/2005	E04D 5/143
CA	2517749 A1 *	8/2006	E04D 5/145

(Continued)

Primary Examiner — Doris Clark

(74) *Attorney, Agent, or Firm* — Keith D. Grzelak; Wells St. John P.S.

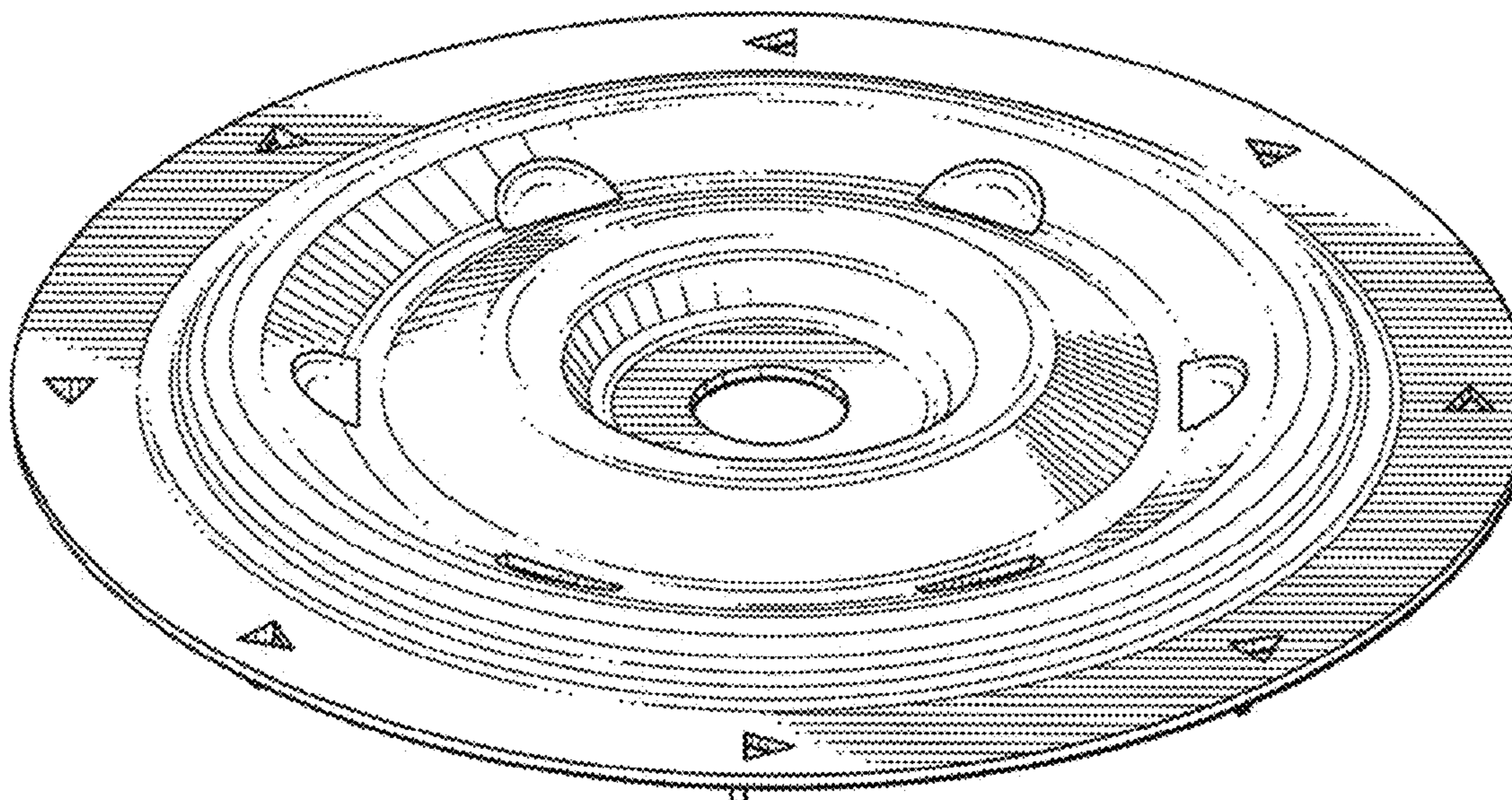
(57) **CLAIM**

The ornamental design for a roofing membrane seam plate, as shown and described.

DESCRIPTION

FIG. 1 is a top perspective view of a roofing membrane seam plate showing inventors' new design;
FIG. 2 is a top plan view;
FIG. 3 is a bottom plan view;
FIG. 4 is a rear elevational view;
FIG. 5 is a front elevational view;
FIG. 6 is a right side elevational view; and,
FIG. 7 is a left side elevational view.

1 Claim, 5 Drawing Sheets



(56)

References Cited

U.S. PATENT DOCUMENTS

5,378,102 A 1/1995 Mossman
 5,709,059 A 1/1998 Murphy et al.
 5,803,693 A 9/1998 Choiniere et al.
 5,882,043 A 3/1999 Murphy et al.
 5,915,903 A 6/1999 Osterle et al.
 5,930,969 A 8/1999 Mayle et al.
 5,951,225 A 9/1999 Osterle et al.
 6,095,737 A 8/2000 Barker et al.
 6,205,730 B1 3/2001 Hasan et al.
 6,233,889 B1 5/2001 Hulsey
 6,250,034 B1 6/2001 Hulsey
 D446,319 S 8/2001 Rubenacker
 6,282,857 B1 9/2001 Rubenacker
 6,665,991 B2 12/2003 Hasan
 6,722,095 B2 * 4/2004 Kobetsky E04D 5/14
 411/462
 D586,207 S * 2/2009 Giddings D8/382

7,631,468 B2 12/2009 Gong et al.
 D636,503 S 4/2011 Parziale et al.
 8,166,720 B2 5/2012 Garrigus et al.
 D667,723 S * 9/2012 Minamikawa D8/382
 D803,037 S * 11/2017 Maloney D8/382
 D906,795 S * 1/2021 Fletcher D8/382
 2003/0033780 A1 2/2003 Hasan
 2003/0126816 A1 7/2003 Hasan et al.
 2004/0148888 A1 8/2004 Kuhn et al.
 2006/0185289 A1 8/2006 Gong et al.

FOREIGN PATENT DOCUMENTS

DE 635907 4/1983
 DE 8525358.8 1/1986
 FR 1362380 4/1964
 GB 2027786 2/1980
 NL 7700937 1/1977
 WO WO-2014037408 A1 * 3/2014 E04D 5/145

* cited by examiner

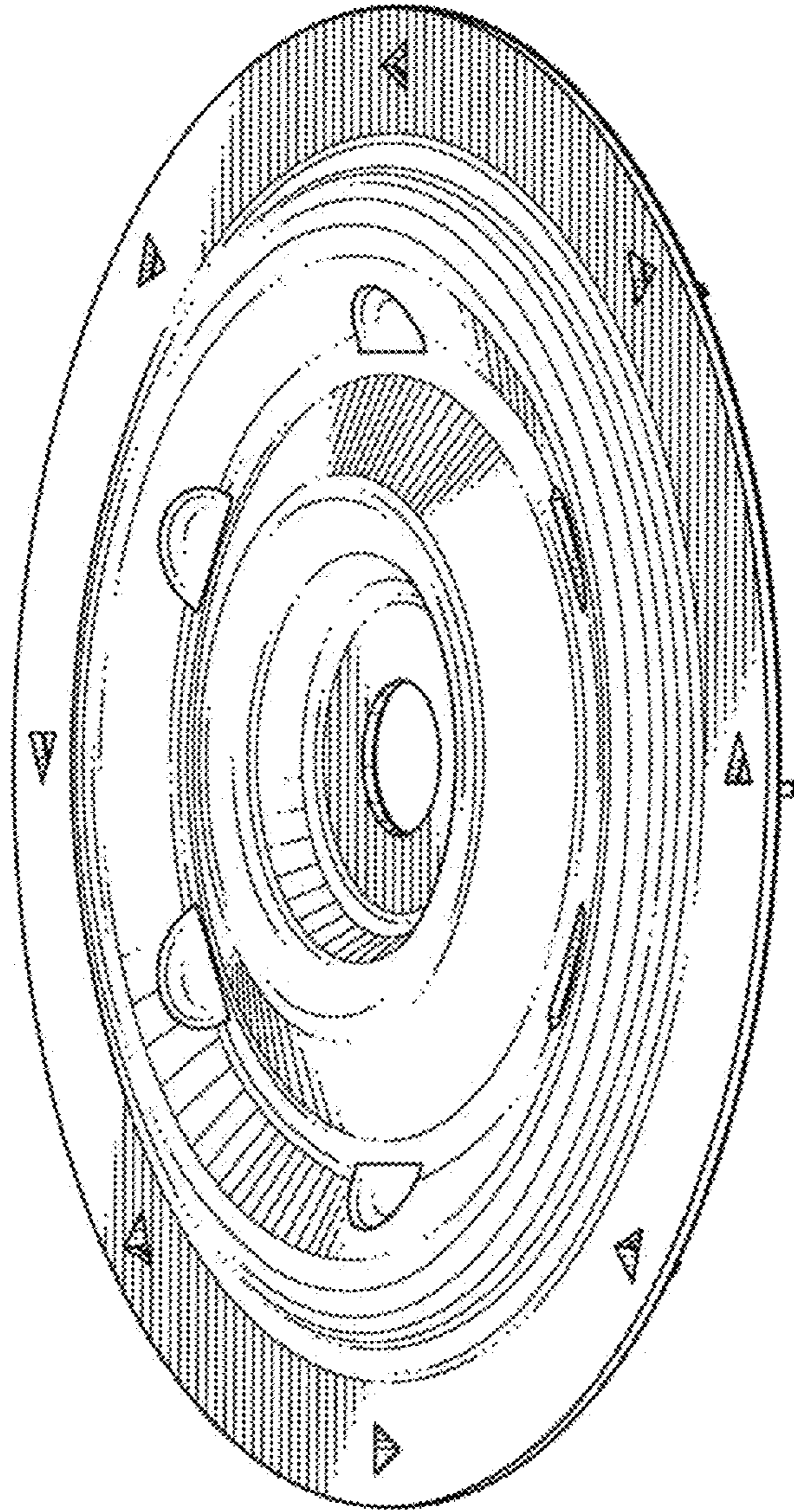


FIG. 1

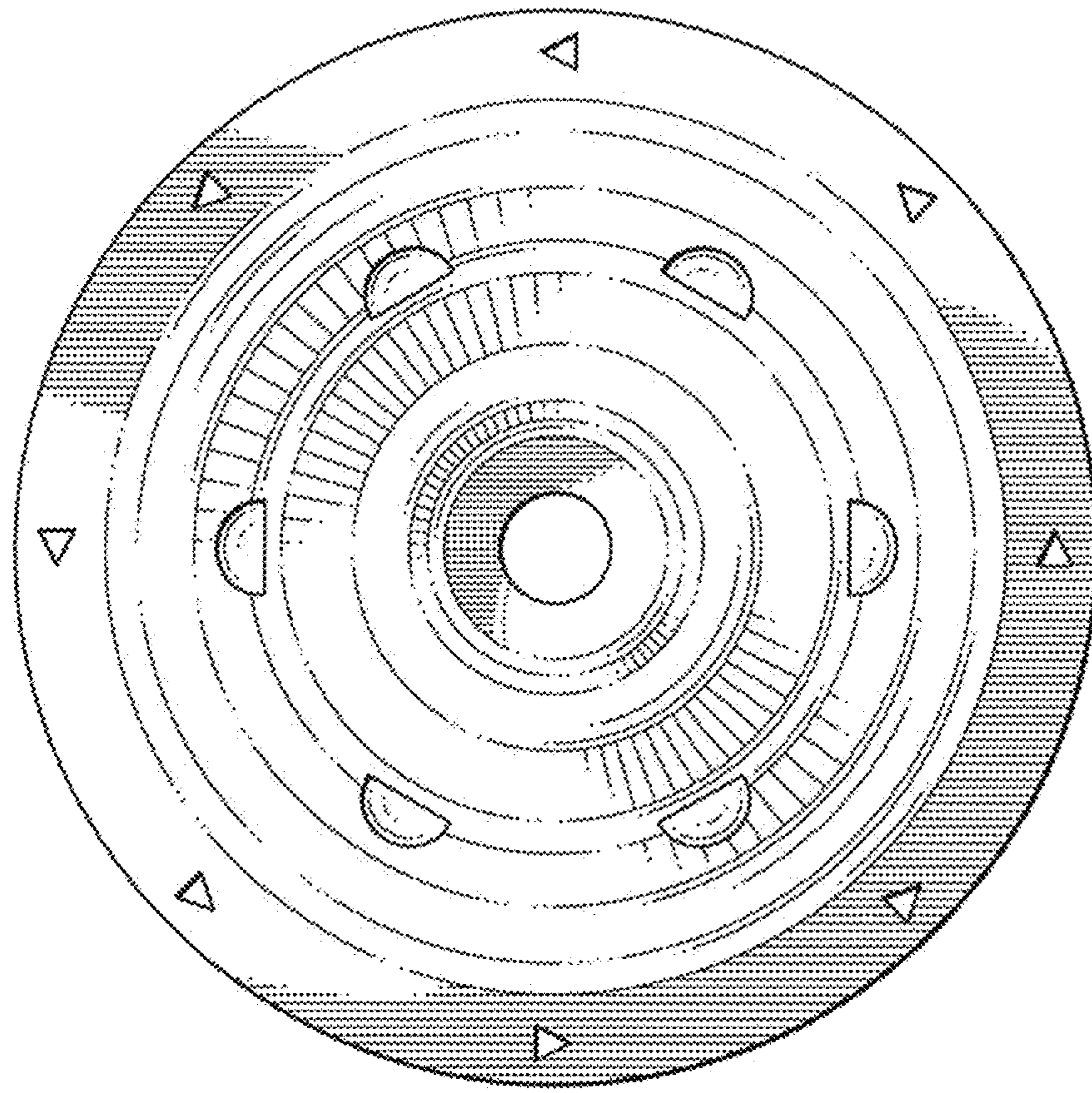


FIG. 2

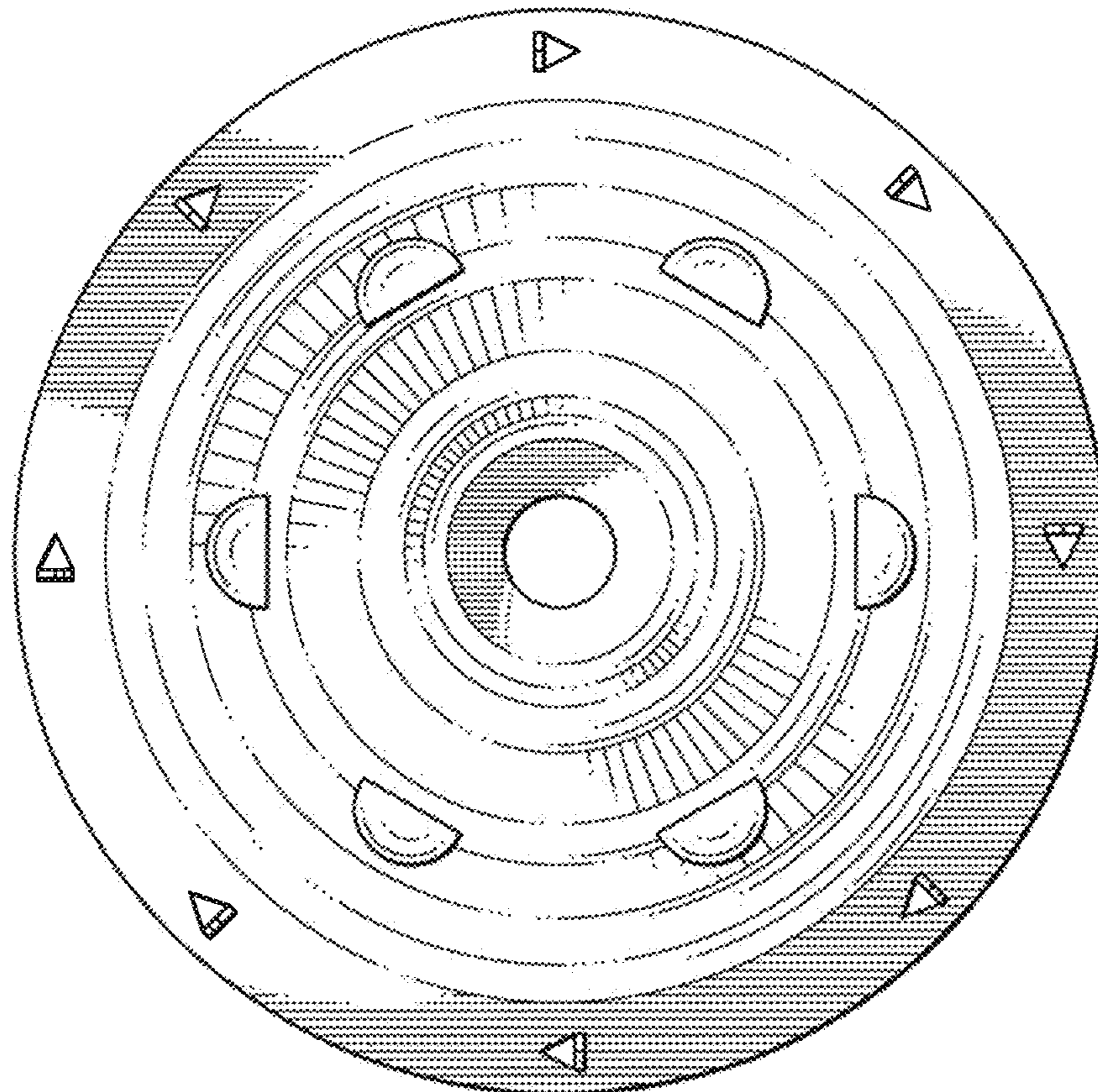


Fig. 3



Fig. 4

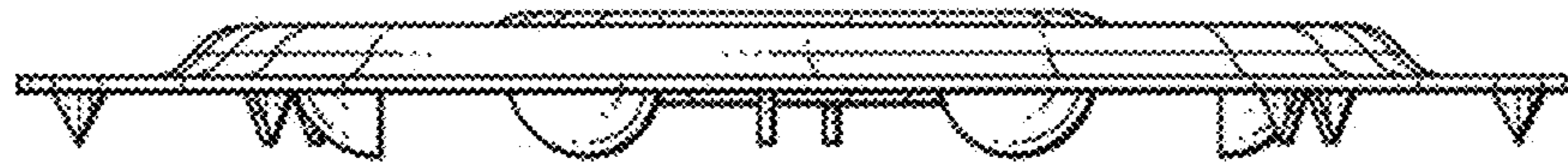


Fig. 5



FIG. 5



FIG. 6