



US00D943404S

(12) **United States Design Patent** (10) **Patent No.:** **US D943,404 S**
Tran et al. (45) **Date of Patent:** **** Feb. 15, 2022**

(54) **AIR-FILTER MOUNTING BRACKET**
(71) Applicants: **Bryan Tran**, Huntington Beach, CA
(US); **Ella Dao**, Huntington Beach, CA
(US)

D777,901 S * 1/2017 Whittemore D23/412
D835,973 S * 12/2018 Bertato D8/354
D855,281 S * 8/2019 Nemece B60L 50/64
D2/626

(Continued)

(72) Inventors: **Bryan Tran**, Huntington Beach, CA
(US); **Ella Dao**, Huntington Beach, CA
(US)

FOREIGN PATENT DOCUMENTS

EM 002536615-0003 * 9/2014
EM 003435304-0004 * 11/2016

(73) Assignee: **Bioprospers Labs, LLC**, Irvine, CA
(US)

OTHER PUBLICATIONS

Thingiverse, 20 Inch Box Fan Air Filter, By AtomicFix, Announced 2015 [online], Published on Aug. 14, 2015, [site visited Jul. 21, 2021]. Available from internet, URL: <https://www.thingiverse.com/thing:968923> (Year: 2015).*

(**) Term: **15 Years**

(Continued)

(21) Appl. No.: **29/704,542**

Primary Examiner — Rachel A. Voorhies
Assistant Examiner — Benjamin D. Wannemacher

(22) Filed: **Sep. 5, 2019**

(51) **LOC (13) Cl.** **08-05**

(52) **U.S. Cl.**
USPC **D8/373**

(57) **CLAIM**

The ornamental design for an air-filter mounting bracket, as shown.

(58) **Field of Classification Search**
USPC D8/382, 349; D23/411, 365
CPC B01D 46/0012; F04D 19/002
See application file for complete search history.

DESCRIPTION

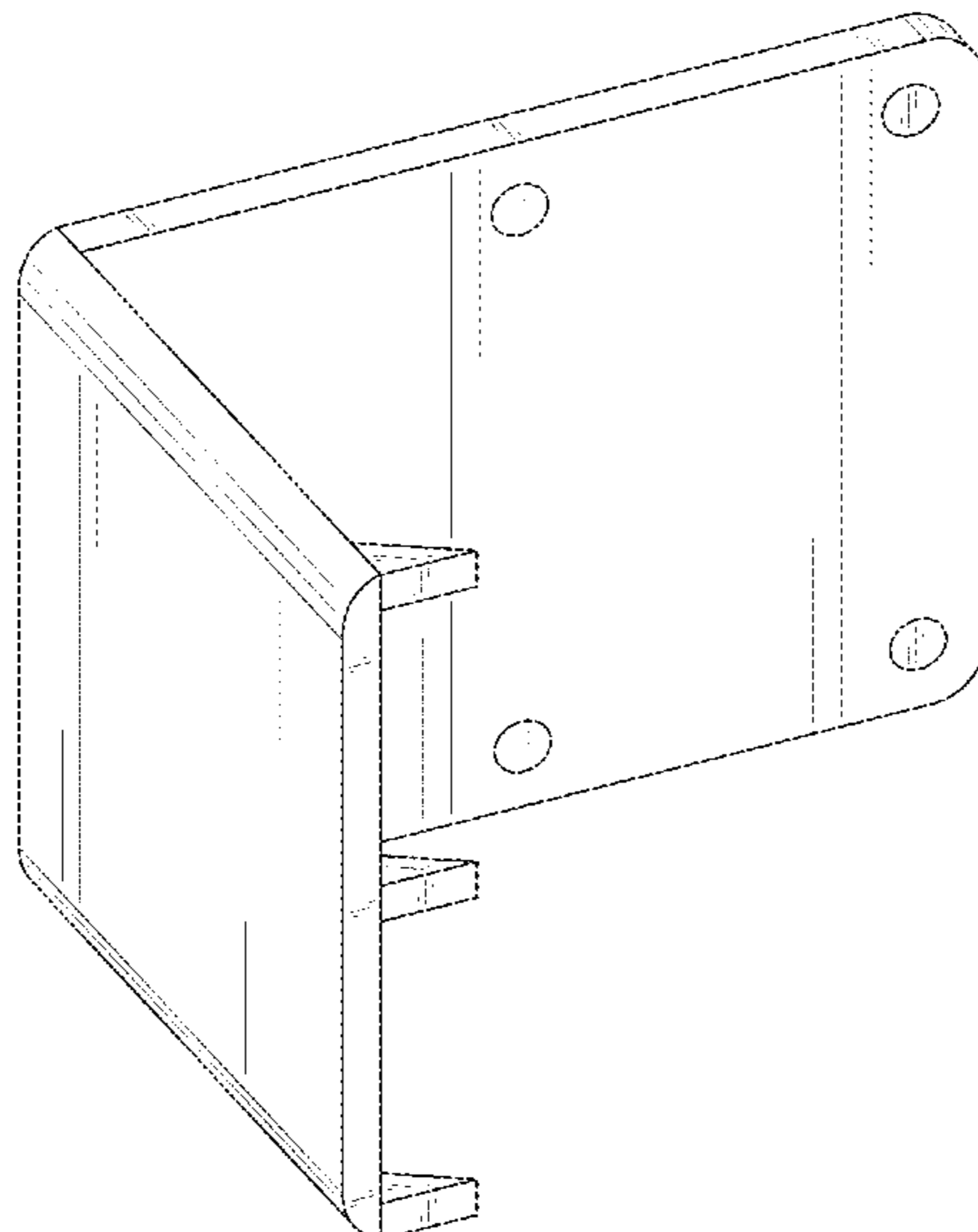
FIG. 1 is a top perspective view of an air-filter mounting bracket, showing my new design;
FIG. 2 is a front side elevation view thereof;
FIG. 3 is a back side elevation view thereof;
FIG. 4 is a left side elevation view thereof;
FIG. 5 is a right side elevation view thereof;
FIG. 6 is a top plan view thereof;
FIG. 7 is a bottom plan view thereof; and,
FIG. 8 is a top perspective view of two such air-filter mounting brackets, shown in an example environment mounting an air filter to a fan.
The broken lines showing an example air filter and an example fan illustrate example environmental structure, are not part of the design sought to be patented, and form no part of the claimed design.

(56) **References Cited**

U.S. PATENT DOCUMENTS

D173,720 S * 12/1954 Carver B60K 20/02
D8/349
5,437,939 A * 8/1995 Beckley B60L 50/64
429/99
D375,038 S * 10/1996 Trevorrow D8/354
D523,802 S * 6/2006 Reimitz B01D 46/0024
D12/223
D543,834 S * 6/2007 Worthy B01D 46/0012
D8/354
D556,014 S * 11/2007 Wurdack D8/349
D640,916 S * 7/2011 Sias D8/382
D752,965 S * 4/2016 Blaney D8/394

1 Claim, 8 Drawing Sheets



(56)

References Cited

U.S. PATENT DOCUMENTS

2002/0007735 A1* 1/2002 Volo B01D 46/0005
96/134
2006/0168925 A1* 8/2006 Whittemore B01D 46/0012
55/490
2006/0188366 A1* 8/2006 Sundet F24F 1/0071
415/121.2
2009/0166486 A1* 7/2009 Sugiyama B60K 20/02
248/200
2018/0154293 A1* 6/2018 Whittemore B01D 46/0024
D8/354

OTHER PUBLICATIONS

Kamsnaps, Plastic Clips—Round, Announced 2010 [online], Oldest Review Aug. 26, 2010, [site visited Jul. 22, 2021]. Available from internet, URL: <https://kamsnaps.com/products/plastic-clips> (Year: 2010).*

* cited by examiner

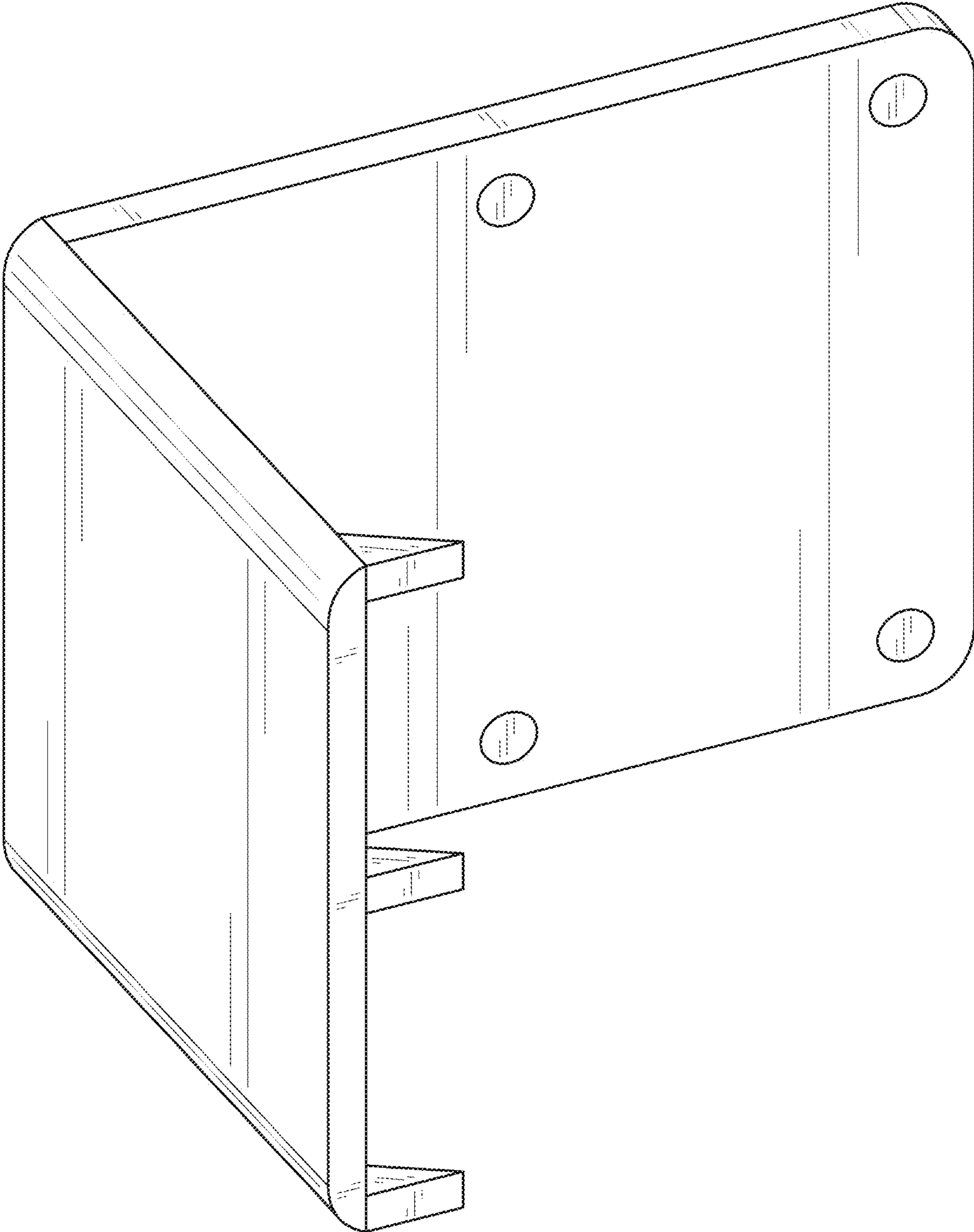


FIG. 1

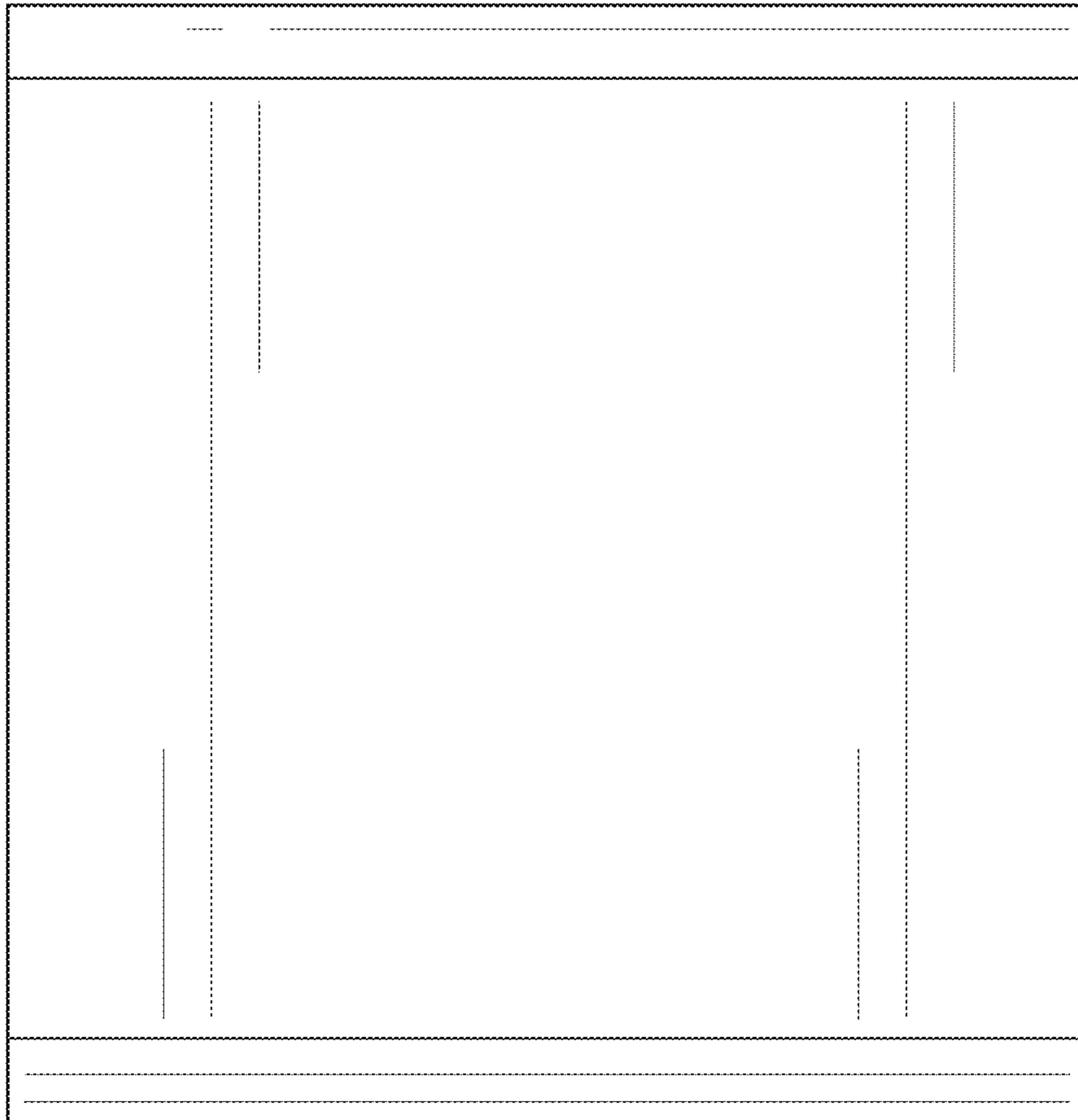


FIG. 2

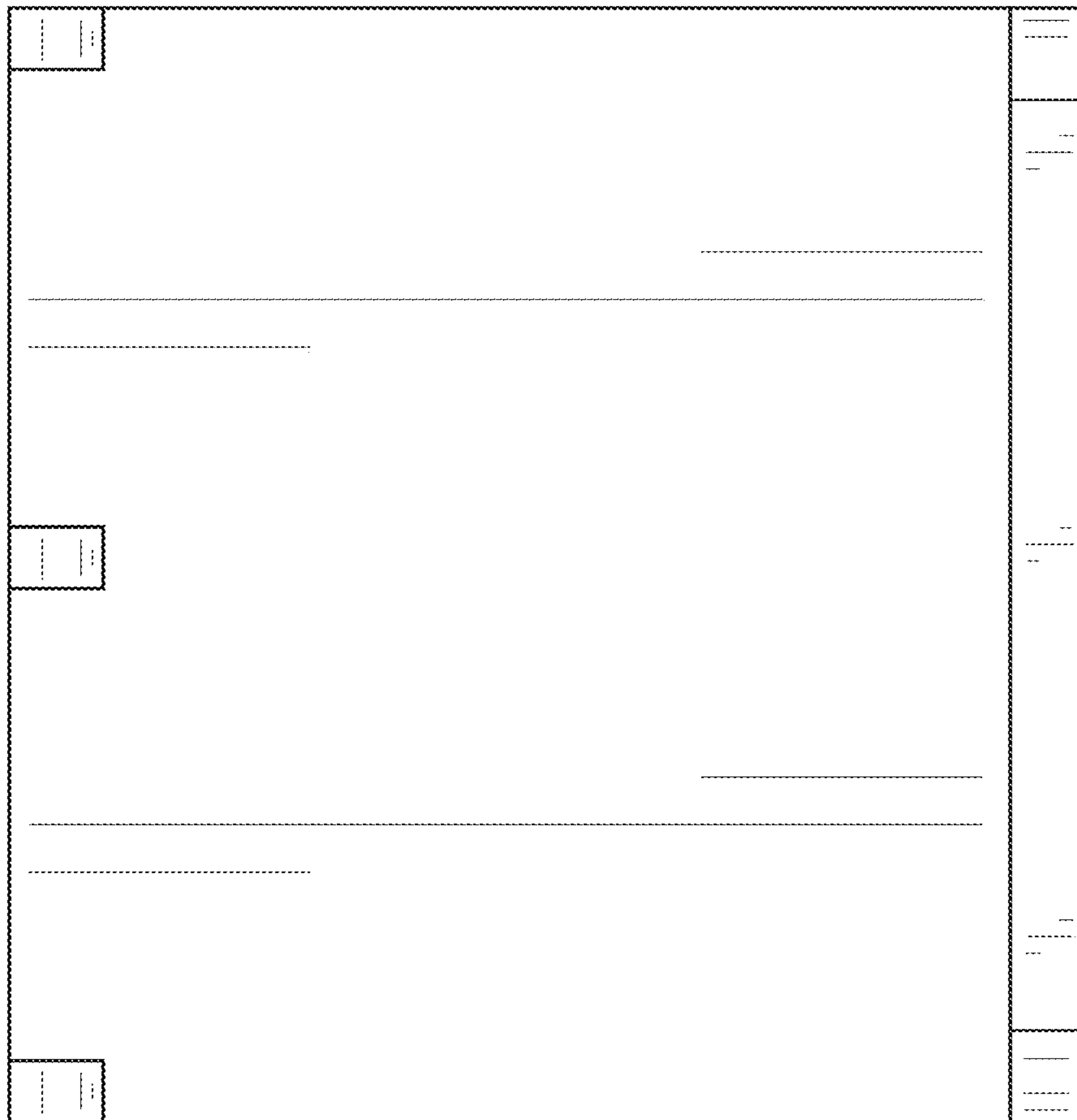


FIG. 3

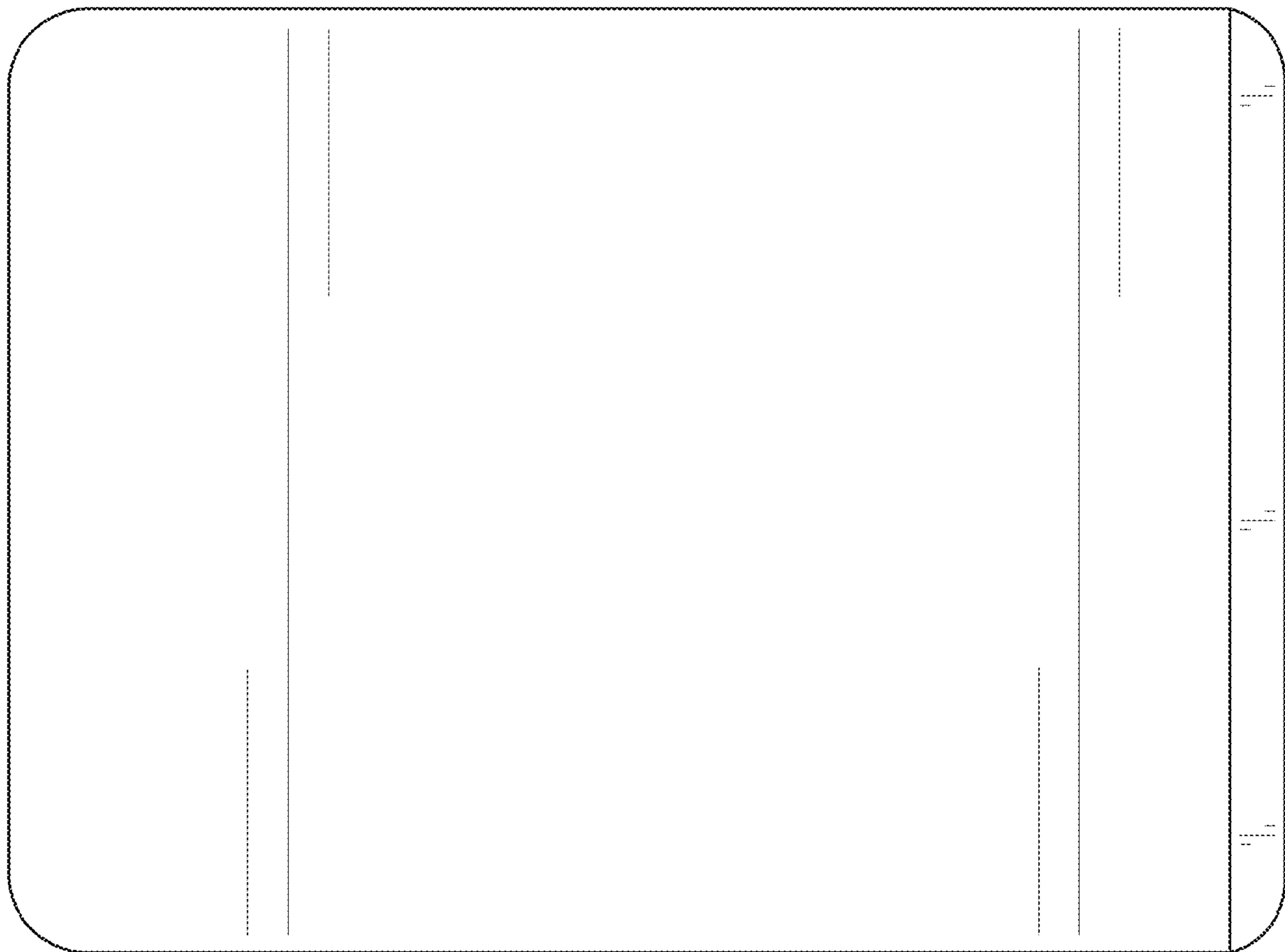


FIG. 4

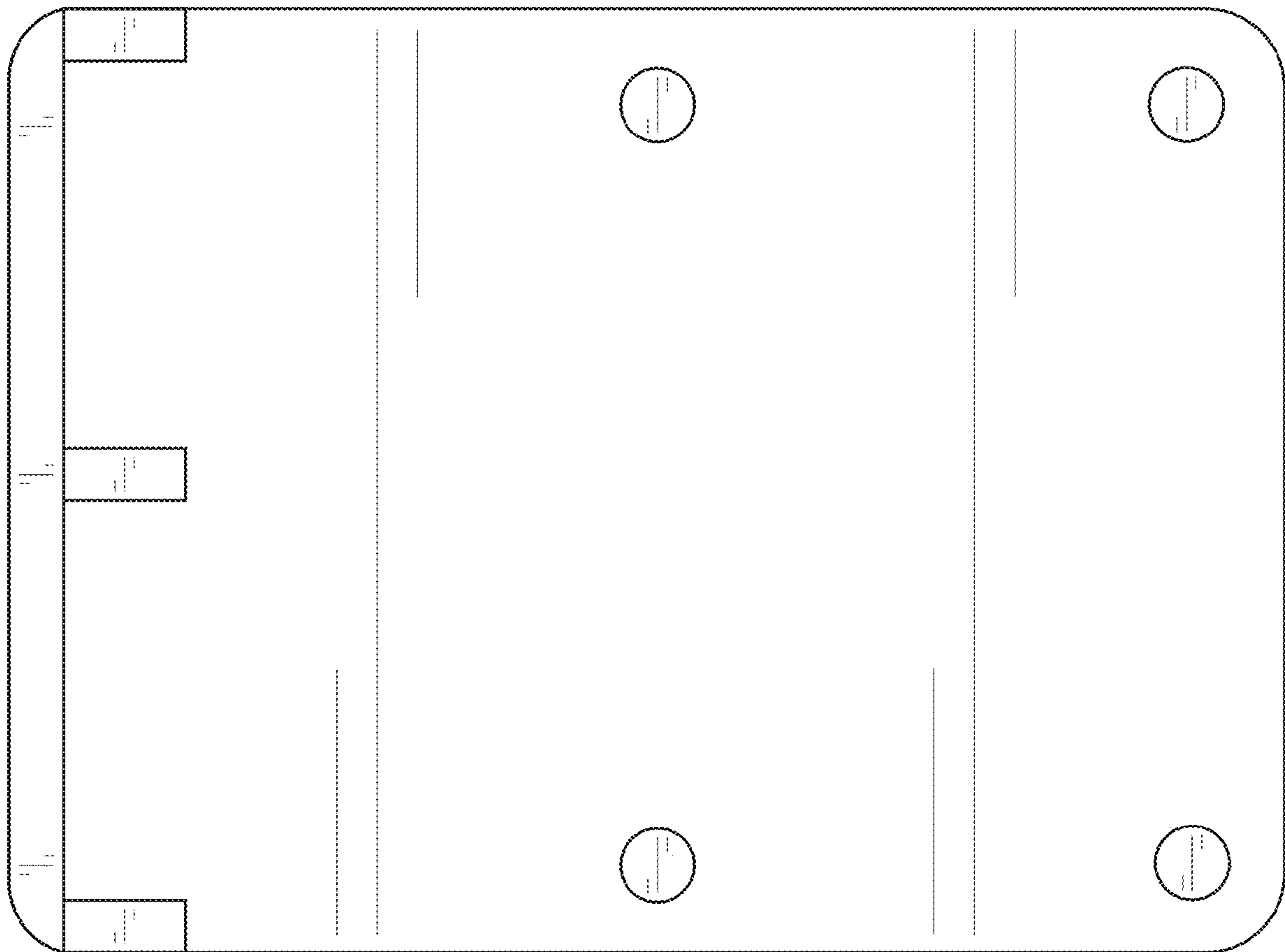


FIG. 5

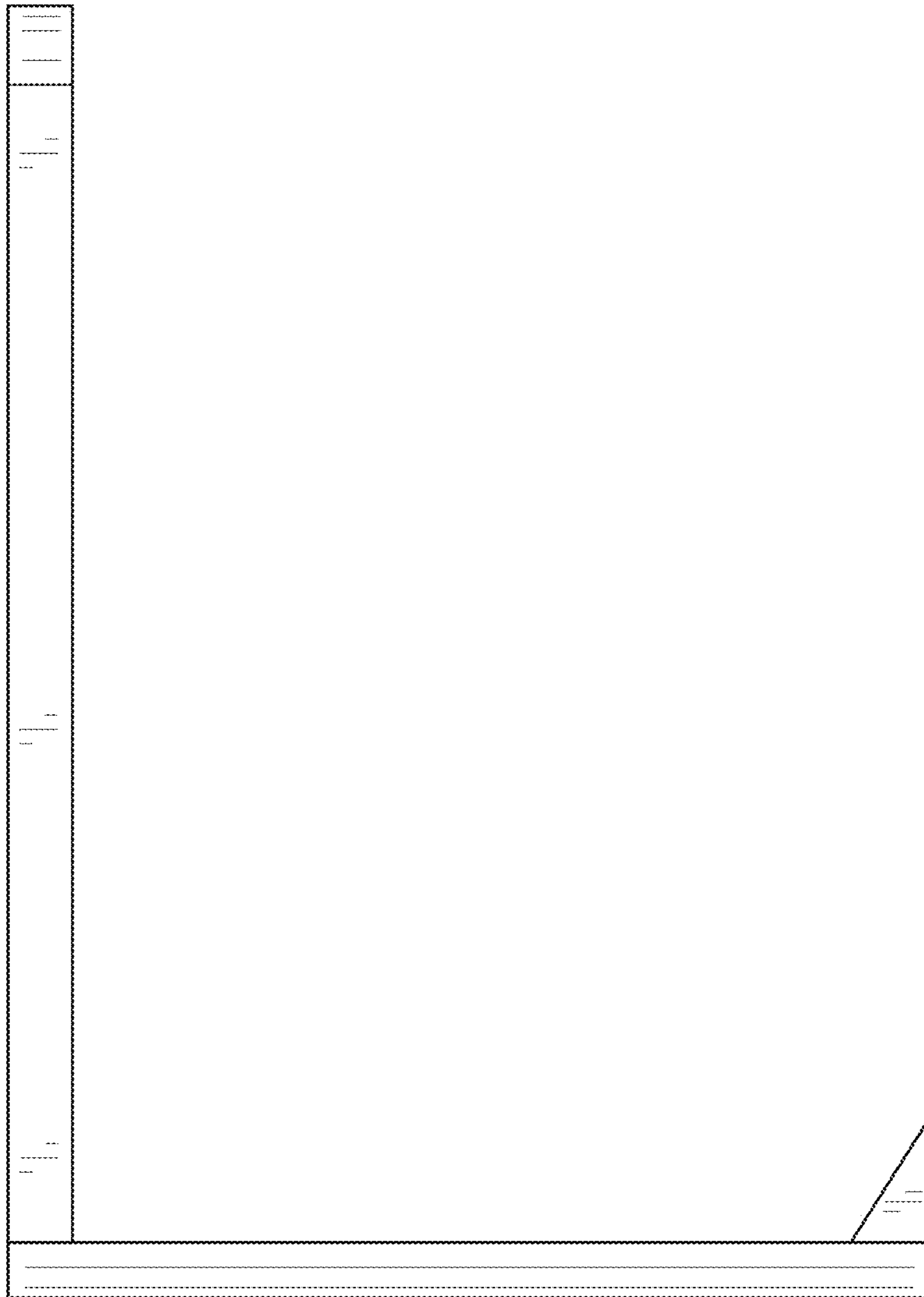


FIG. 6

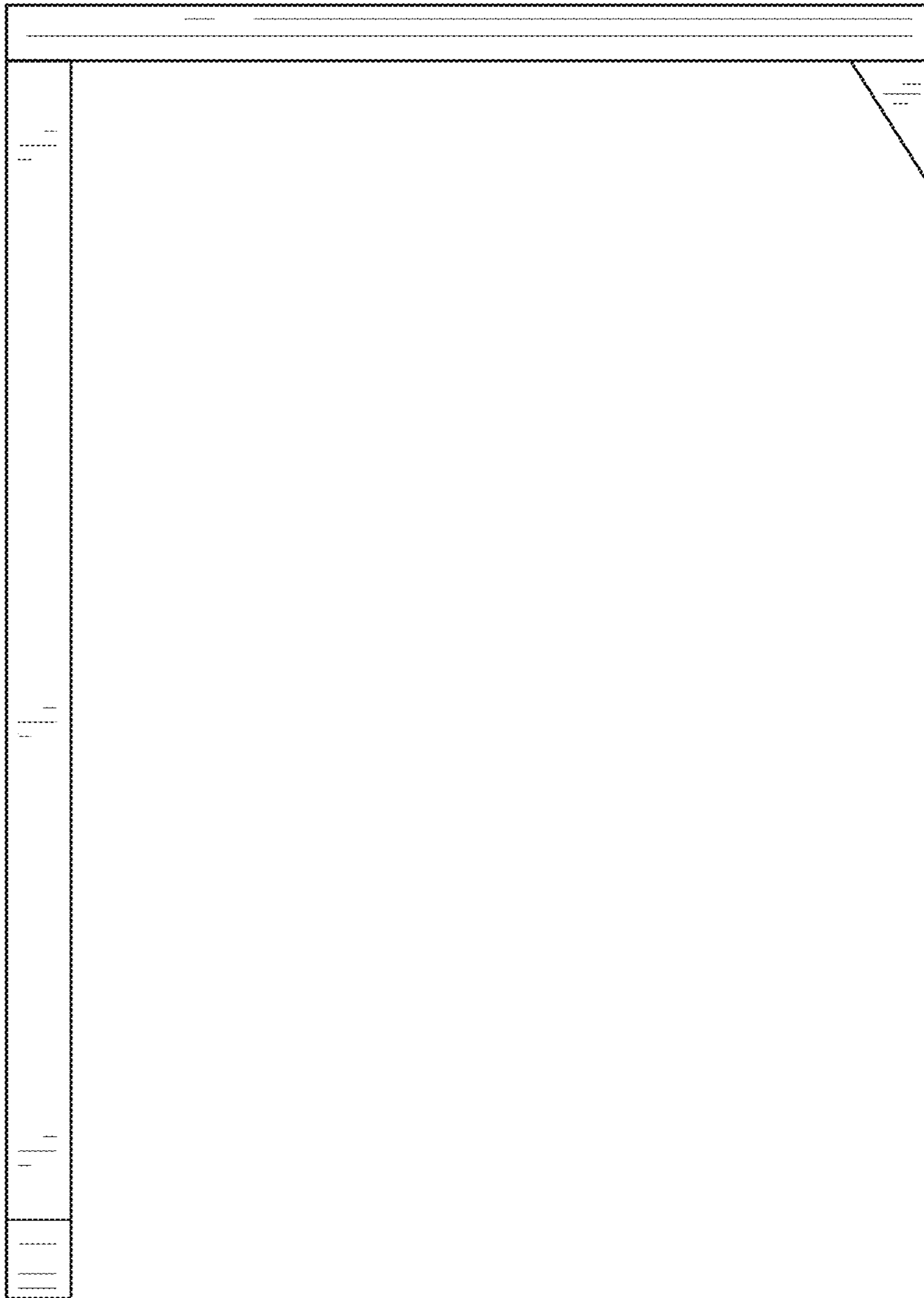


FIG. 7

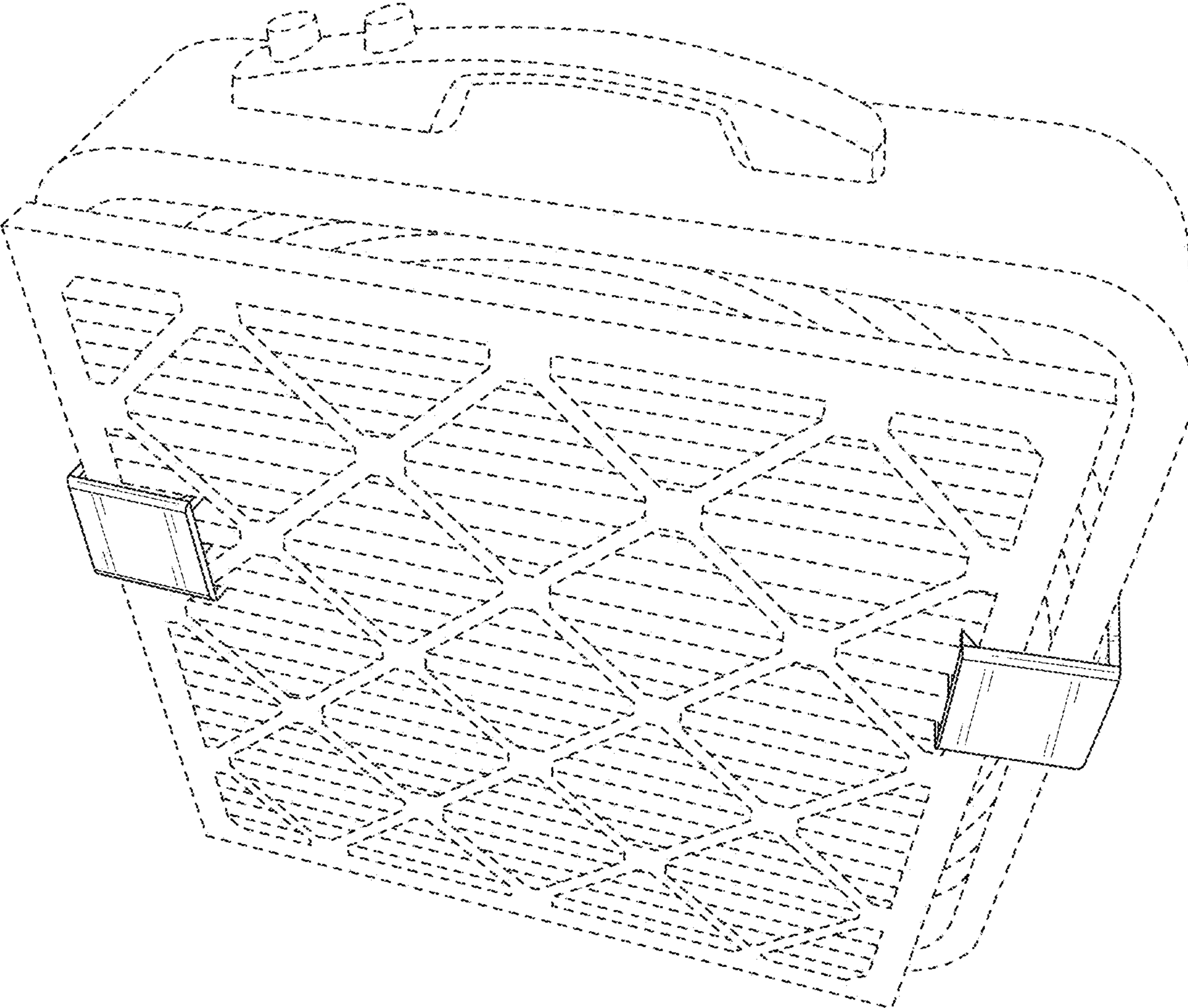


FIG. 8