



US00D943402S

(12) **United States Design Patent** (10) **Patent No.:** **US D943,402 S**  
**Krull et al.** (45) **Date of Patent:** **\*\* Feb. 15, 2022**

(54) <b>HOOK</b>	D212,553 S	10/1968	Hekman
	4,061,812 A	12/1977	Gilwee, Jr
(71) Applicant: <b>3M INNOVATIVE PROPERTIES COMPANY, St. Paul, MN (US)</b>	D307,539 S	5/1990	Goodman
	5,121,896 A *	6/1992	Frye ..... F16B 47/003 248/205.3
(72) Inventors: <b>Brett P. Krull, Saint Anthony, MN (US); Dawud H. Tan, Lakeland, MN (US); Daniel E. Johnson, Marine on St. Croix, MN (US); Jimmy M. Le, St. Paul, MN (US); Stephen M. Sanocki, Stillwater, MN (US)</b>	5,139,596 A	8/1992	Fell
	D345,497 S	3/1994	Miller
	D390,014 S	2/1998	Ho
	6,630,221 B1	10/2003	Wong
	D554,481 S	11/2007	Newbould
	D554,482 S	11/2007	Hager
	D557,171 S	12/2007	Davison
	D565,939 S	4/2008	Newbould
	D566,532 S	4/2008	Wolff
(73) Assignee: <b>3M INNOVATIVE PROPERTIES COMPANY, St. Paul, MN (US)</b>	D579,322 S	10/2008	Newbould

(Continued)

(\*\*) Term: **15 Years**

**OTHER PUBLICATIONS**

(21) Appl. No.: **29/751,214**

AI Tutorials, <<https://read01.com/3aQzk3.html#.XND6JY4zaU1>>, Aug. 3, 2016, pp. 8.

(22) Filed: **Sep. 18, 2020**

*Primary Examiner* — Cynthia R Underwood

**Related U.S. Application Data**

(74) *Attorney, Agent, or Firm* — 3M IPC

(63) Continuation of application No. 29/722,414, filed on Jan. 29, 2020, now Pat. No. Des. 906,097, which is a continuation of application No. 29/643,192, filed on Apr. 5, 2018, now Pat. No. Des. 876,935.

(57) **CLAIM**

The ornamental design for a hook, as shown and described.

(51) **LOC (13) Cl.** ..... **08-05**

**DESCRIPTION**

(52) **U.S. Cl.**

USPC ..... **D8/367**

(58) **Field of Classification Search**

USPC ..... D8/367, 354, 349, 373; D6/323; 248/301-304, 339

CPC ..... A47G 1/00; A47G 25/00

See application file for complete search history.

FIG. 1 is a perspective view showing a new design for a hook;  
FIG. 2 is a front view thereof;  
FIG. 3 is a right side view thereof, a left side view being a mirror image thereof;  
FIG. 4 is a rear view thereof;  
FIG. 5 is a top view thereof; and,  
FIG. 6 is a bottom view thereof.

The portions of a mounting adhesive construction coupled to the hook in FIGS. 1-6 shown in broken lines are included to show features that form no part of the claimed design.

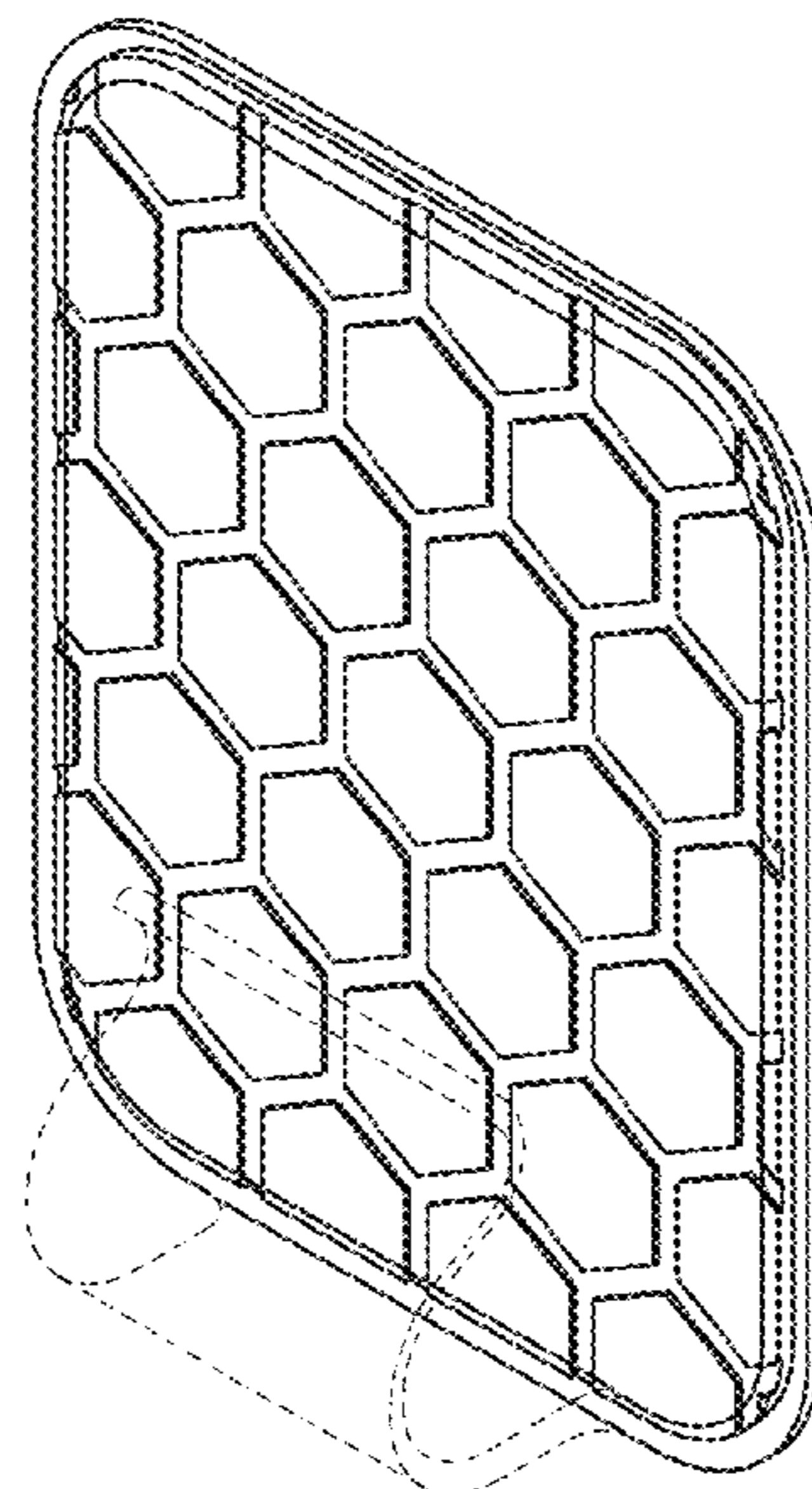
(56) **References Cited**

**U.S. PATENT DOCUMENTS**

2,679,998 A \* 6/1954 Keller ..... F16B 47/003  
248/205.3

2,765,998 A 10/1956 Engert

**1 Claim, 2 Drawing Sheets**



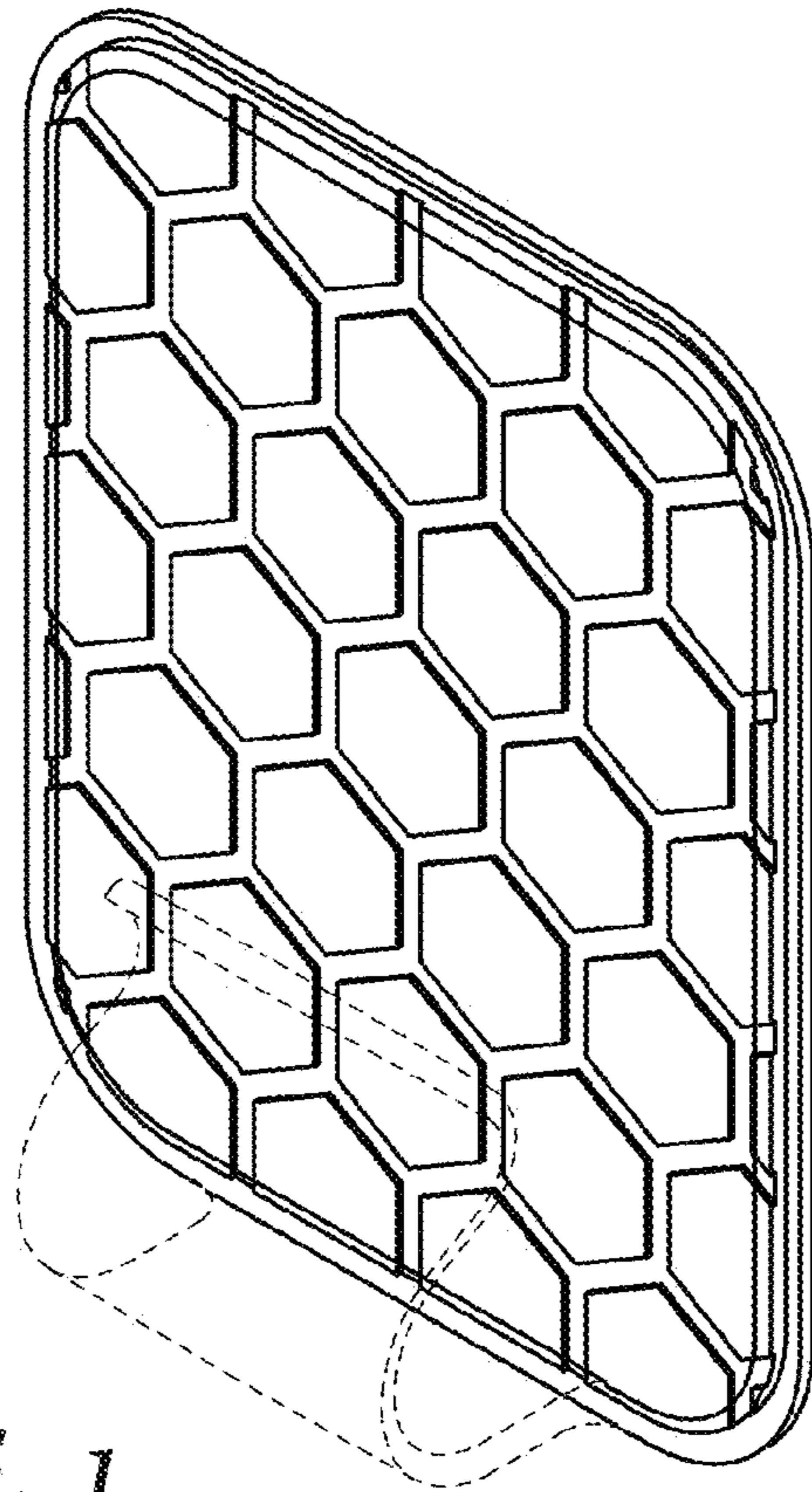
(56)

References Cited

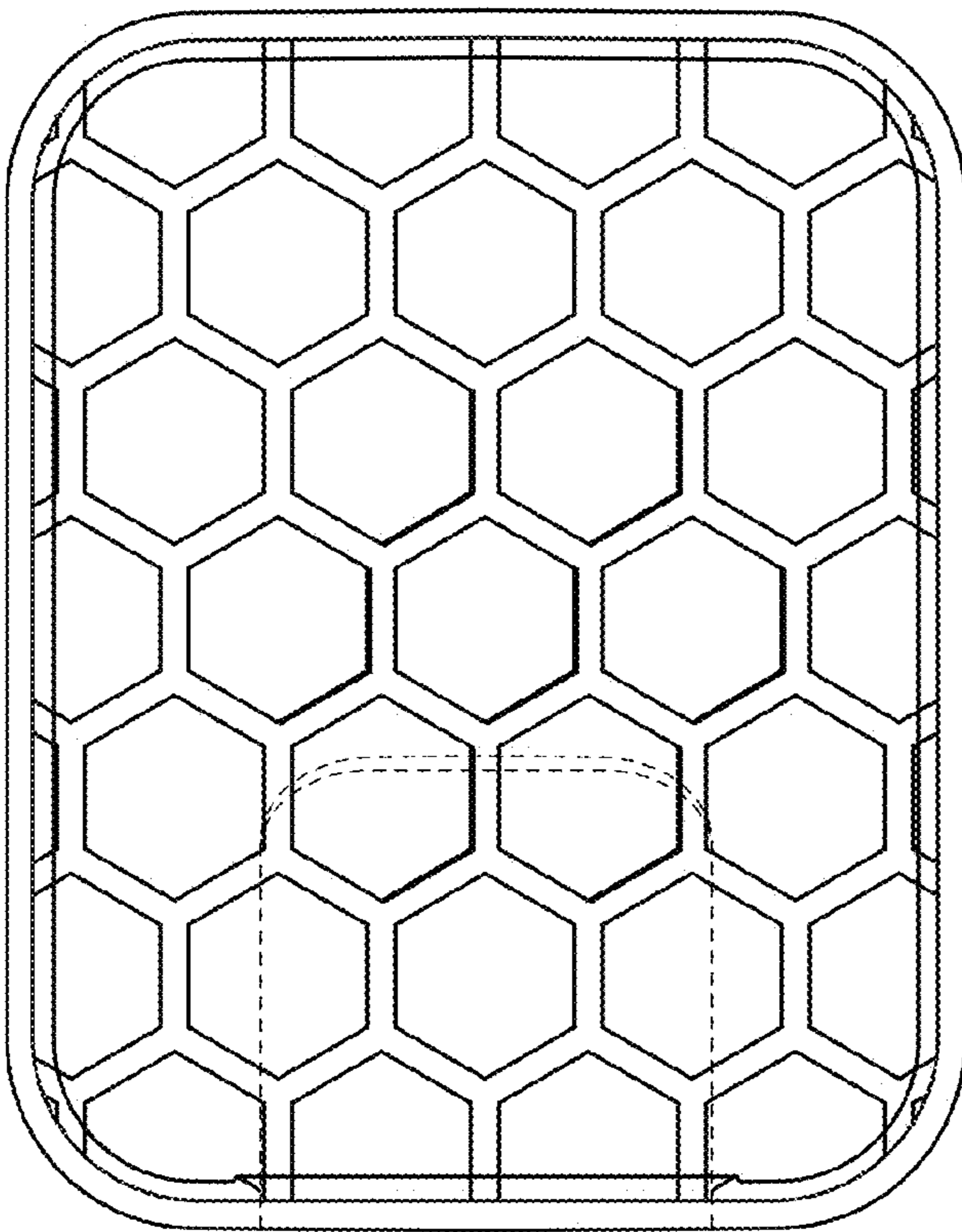
U.S. PATENT DOCUMENTS

7,833,620 B2	11/2010	Enserink	D742,869 S	11/2015	Odhwani	
D632,951 S	2/2011	McGreevy	D745,688 S *	12/2015	Chan .....	D24/189
D641,228 S	7/2011	Qiblawi	D745,689 S *	12/2015	Chan .....	D24/189
8,070,994 B2	12/2011	Carlson	D769,700 S	10/2016	Chinchon	
D667,293 S	9/2012	Thompson	D786,258 S	5/2017	Ignomirello	
D672,223 S	12/2012	Thompson	D793,281 S	8/2017	Maier	
D678,041 S	3/2013	Pan	D811,862 S	3/2018	Berger	
D680,804 S	4/2013	Gilboe	D812,453 S	3/2018	Berger	
D682,663 S	5/2013	Evon	D814,053 S *	3/2018	Darrow .....	D25/109
D687,686 S	8/2013	Robinson	D817,749 S	5/2018	Ryu	
D694,892 S	12/2013	Chan	D817,830 S	5/2018	Archambault	
D697,216 S	1/2014	Chan	D825,082 S *	8/2018	Darrow .....	D25/160
D697,387 S	1/2014	Starck	D832,269 S	10/2018	Cheng	
D697,388 S	1/2014	Pan	D836,260 S	12/2018	Cox	
D697,389 S	1/2014	Pan	D841,639 S	2/2019	Liao	
D707,111 S	6/2014	Callif	D842,082 S	3/2019	Thompson	
D707,829 S	6/2014	Chan	D844,901 S	4/2019	Leinbach	
D708,751 S	7/2014	Chan	D845,031 S	4/2019	Huang	
D714,622 S	10/2014	Pan	D852,611 S	7/2019	Shoenhair	
D714,623 S	10/2014	Pan	D853,043 S *	7/2019	Turkbas .....	D29/108
D715,133 S	10/2014	Pan	D876,935 S *	3/2020	Krull .....	D8/367
D715,625 S	10/2014	Pan	D906,334 S *	12/2020	Du .....	D14/440
D715,626 S	10/2014	Pan	D913,507 S *	3/2021	Caneppele .....	D24/189
D715,785 S	10/2014	Jacob	D917,206 S *	4/2021	Taylor .....	D6/601
D718,184 S	11/2014	Nealon	D917,927 S *	5/2021	Taylor .....	D6/601
D734,806 S	7/2015	Boerup	D918,398 S *	5/2021	Caneppele .....	D24/189
9,091,067 B2	7/2015	Brewster	D925,341 S *	7/2021	Fastermann .....	D8/367
			2015/0190981 A1 *	7/2015	Levit .....	B32B 3/12 428/116

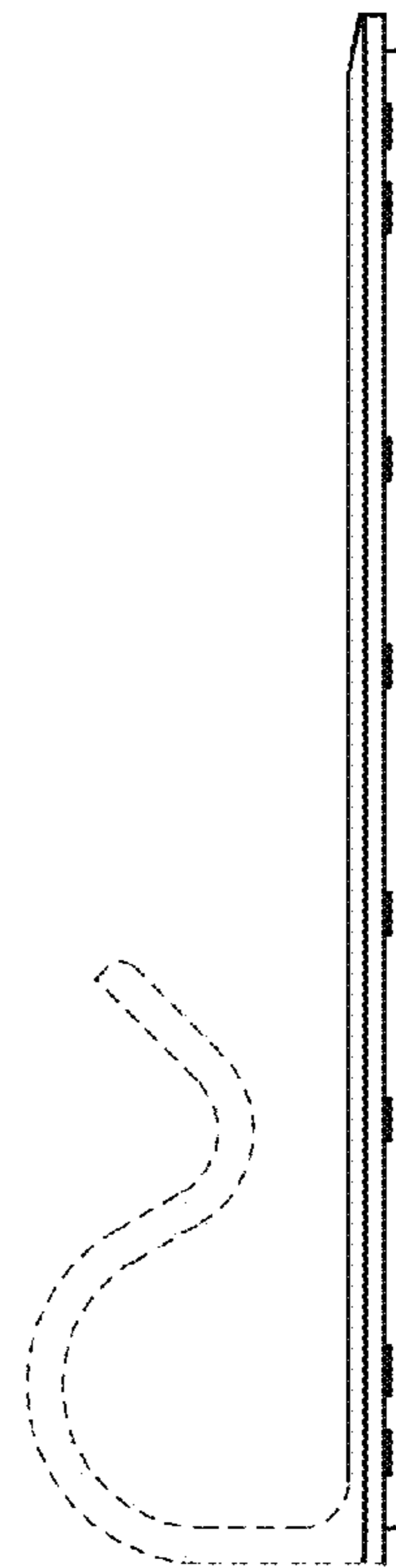
\* cited by examiner



*FIG. 1*

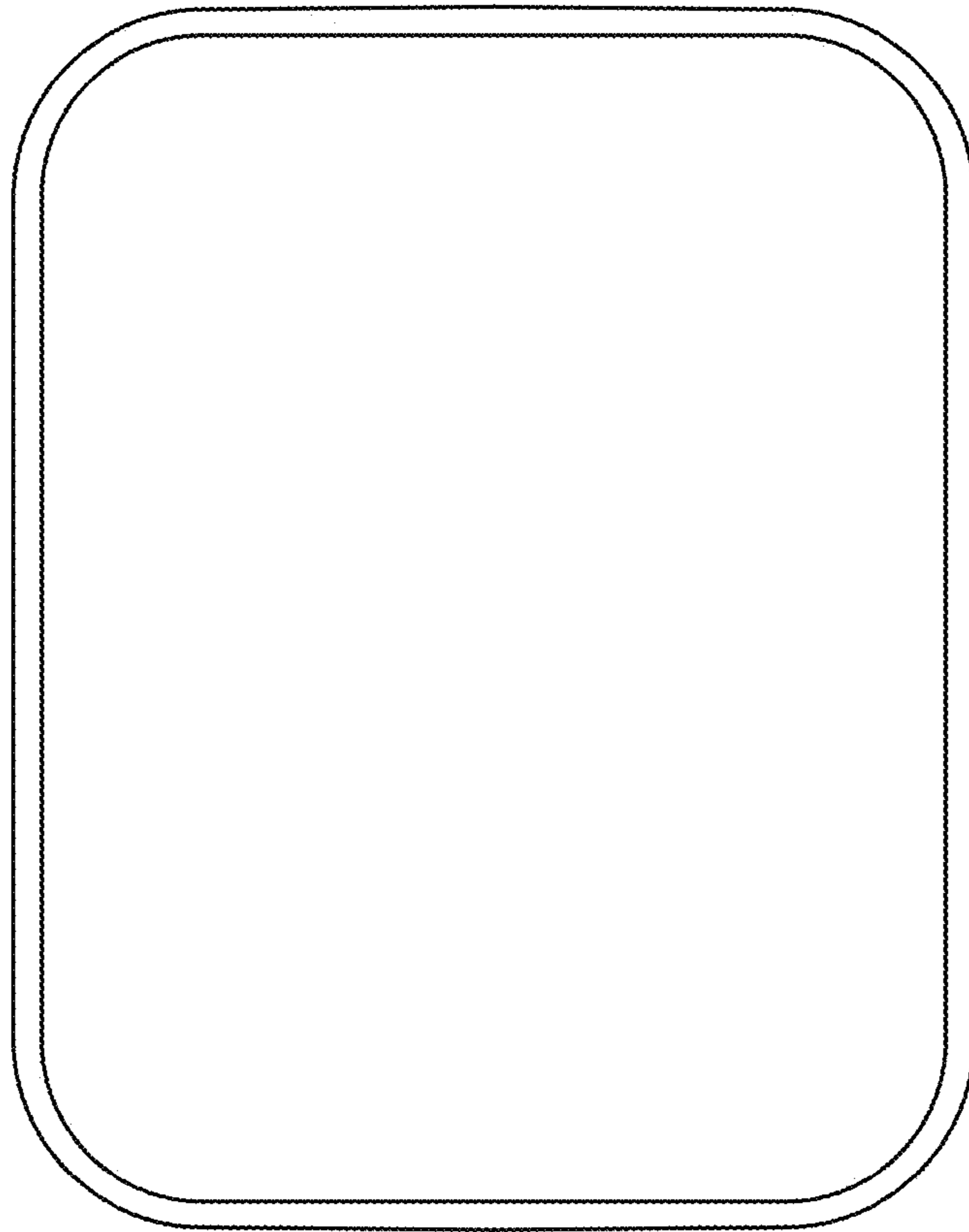


*FIG. 2*

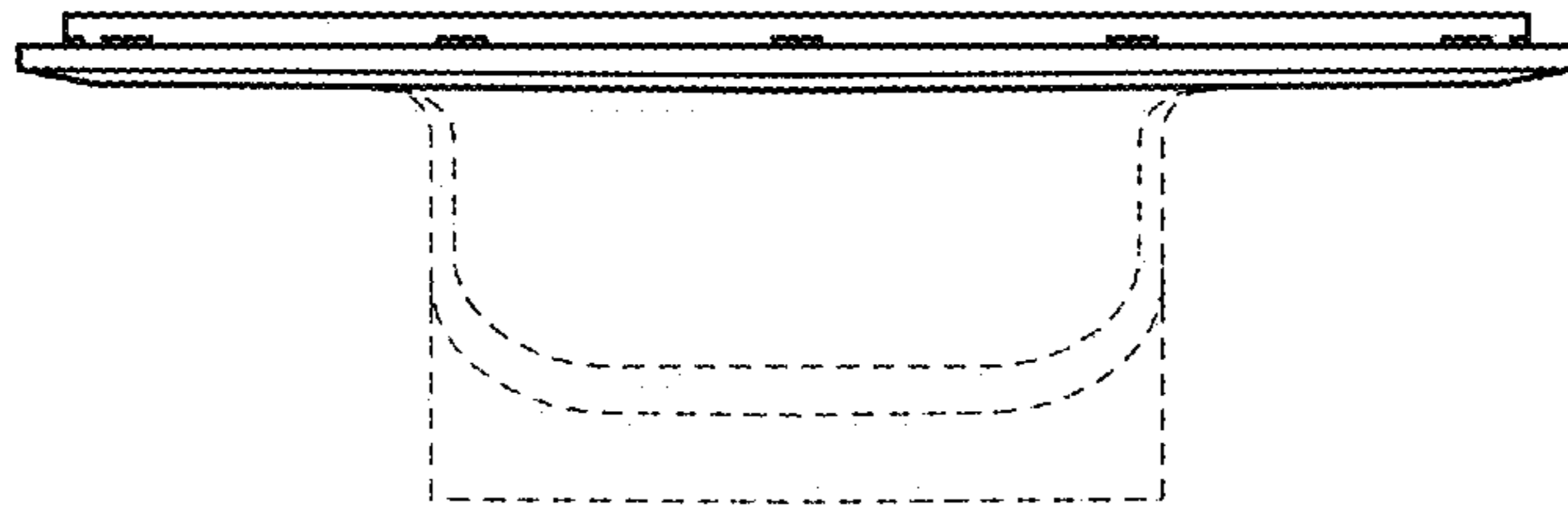


*FIG. 3*

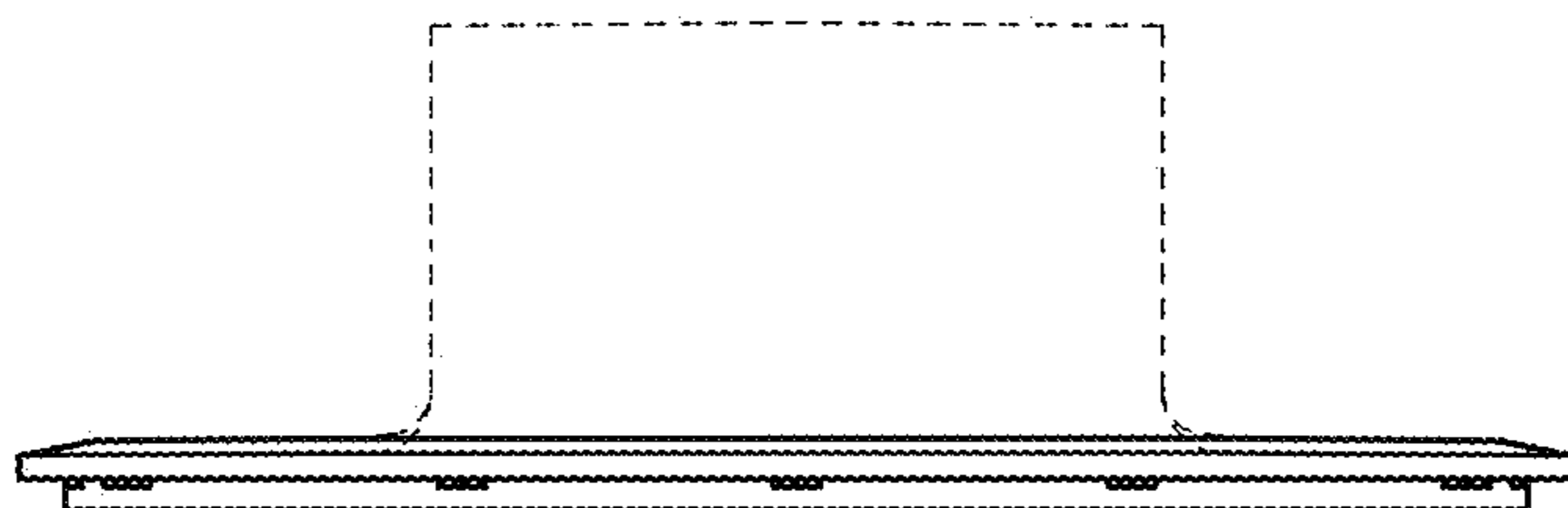




*FIG. 4*



*FIG. 5*



*FIG. 6*