



US00D943401S

(12) **United States Design Patent** (10) **Patent No.:** **US D943,401 S**  
**Pejic** (45) **Date of Patent:** **\*\* \*Feb. 15, 2022**

(54) **WINDOW TREATMENT**

- (71) Applicant: **Lutron Technology Company LLC**,  
Coopersburg, PA (US)
- (72) Inventor: **Vladislav Pejic**, Allentown, PA (US)
- (73) Assignee: **Lutron Technology Company LLC**,  
Coopersburg, PA (US)
- (\*) Notice: This patent is subject to a terminal disclaimer.
- (\*\*) Term: **15 Years**
- (21) Appl. No.: **29/602,208**
- (22) Filed: **Apr. 28, 2017**
- (51) **LOC (13) Cl.** ..... **08-05**
- (52) **U.S. Cl.**  
USPC ..... **D8/363**
- (58) **Field of Classification Search**  
USPC ..... D08/363, 367, 372; D06/572  
CPC . A47H 1/00; A47H 1/10; A47H 1/102; A47H  
1/13; A47G 1/16; A47G 1/17; F16B  
45/00; F16B 47/00  
See application file for complete search history.

(56) **References Cited**

**U.S. PATENT DOCUMENTS**

846,089	A	3/1907	Cannon	
1,557,419	A	10/1925	Clarke	
2,031,698	A	2/1936	Fanzoi	
2,108,939	A	2/1938	Lewis	
D161,199	S *	12/1950	Perelman	D6/522
D182,161	S *	2/1958	Bulman	D6/522

(Continued)

**FOREIGN PATENT DOCUMENTS**

BE	200900404	9/2011
DE	G 89 14 725.1	8/1990

(Continued)

**OTHER PUBLICATIONS**

Lovable Products From Coolaroo for Shade Sails or exteri, posted Jul. 27, 2017, [retrieved Mar. 27, 2018]. Retrieved from Internet, <URL: <http://www.marccharlessteakhouse.com/lovable-products-from-coolaroo-for-shade-sails-or-exterior-blinds-or-umbrellas-or-pet-beds-ideas/coolaroo-material-coolaroo-sun-shades-coolaroo/>>.\*

(Continued)

*Primary Examiner* — Joseph Kukella  
(74) *Attorney, Agent, or Firm* — Saidman DesignLaw Group, LLC

(57) **CLAIM**

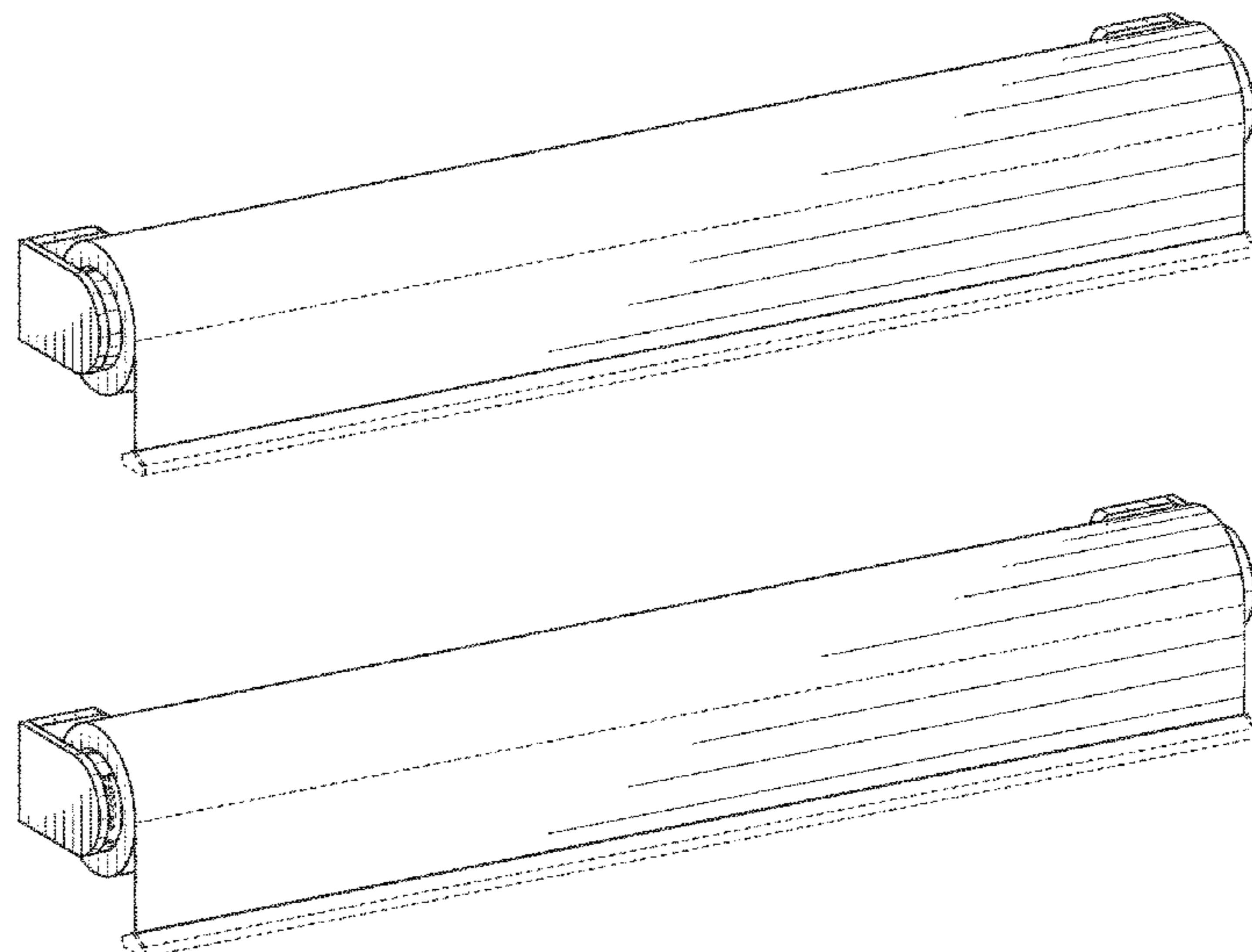
The ornamental design for a window treatment, as shown and described.

**DESCRIPTION**

FIG. 1 is a perspective view of a window treatment in an unrolled state;  
FIG. 2 is a perspective view thereof in a rolled state;  
FIG. 3 is a front view thereof;  
FIG. 4 is a rear view thereof;  
FIG. 5 is a top view thereof;  
FIG. 6 is a bottom view thereof;  
FIG. 7 is a left side view thereof;  
FIG. 8 is a right side view thereof;  
FIG. 9 is a perspective view of the window treatment of FIG. 1 in a rotated position and an unrolled state;  
FIG. 10 is a perspective view thereof in a rolled state;  
FIG. 11 is a front view thereof;  
FIG. 12 is a rear view thereof;  
FIG. 13 is a top view thereof;  
FIG. 14 is a bottom view thereof;  
FIG. 15 is a left side view thereof; and,  
FIG. 16 is a right side view thereof.

The dashed broken lines shown in the drawings depict portions of the window treatment that form no part of the claimed design.

**1 Claim, 8 Drawing Sheets**



(56)

References Cited

U.S. PATENT DOCUMENTS

4,368,771 A 1/1983 Hopper  
 4,771,966 A \* 9/1988 Anderson ..... A47K 10/40  
 225/51  
 D322,211 S 12/1991 Gary  
 D327,192 S \* 6/1992 Geuvjehizian ..... D6/518  
 D336,580 S 6/1993 White et al.  
 D355,094 S 2/1995 Josephson  
 5,651,487 A 7/1997 Hansen  
 D422,886 S 4/2000 Shea  
 7,207,371 B2 \* 4/2007 Hsu ..... E06B 9/40  
 160/120  
 D547,985 S \* 8/2007 Kubota ..... D6/522  
 7,267,311 B2 \* 9/2007 Jung ..... E06B 9/50  
 160/903  
 D622,993 S 9/2010 Park et al.  
 7,849,907 B2 \* 12/2010 Jang ..... E06B 9/40  
 160/120  
 D632,118 S \* 2/2011 Clarke ..... D6/580  
 7,931,069 B2 \* 4/2011 Cannaverde ..... E06B 9/38  
 160/170  
 D669,771 S 10/2012 Geiger  
 8,307,879 B2 11/2012 Lin  
 D694,039 S 11/2013 Licciardi Di Stefano  
 D695,042 S 12/2013 Licciardi Di Stefano  
 D705,040 S 5/2014 Konrad et al.  
 D712,727 S \* 9/2014 Geiger ..... D8/382  
 8,967,568 B2 \* 3/2015 Wills ..... E06B 9/50  
 160/323.1  
 D731,876 S \* 6/2015 Di Stefano ..... D8/363  
 9,045,939 B2 \* 6/2015 Blair ..... E06B 9/68  
 D733,536 S \* 7/2015 Di Stefano ..... D8/363  
 D733,537 S 7/2015 Di Stefano  
 D740,108 S 10/2015 Di Stefano  
 D741,697 S 10/2015 McGrath  
 9,237,821 B2 \* 1/2016 Geiger ..... A47H 1/13  
 D758,827 S \* 6/2016 Grasselli ..... D8/315  
 9,587,429 B2 \* 3/2017 Cheng ..... E06B 9/40  
 D791,581 S \* 7/2017 Lin ..... D8/356  
 D798,133 S 9/2017 Ng  
 9,840,870 B2 \* 12/2017 Lu ..... E06B 9/40  
 D817,660 S 5/2018 Raiti  
 9,988,839 B2 6/2018 Geiger  
 D822,473 S 7/2018 Ng  
 10,309,461 B2 6/2019 Ng  
 2006/0118248 A1 6/2006 Anderson et al.  
 2007/0175004 A1 8/2007 Chien  
 2009/0250177 A1 10/2009 Byeon  
 2009/0283226 A1 \* 11/2009 Cheng ..... E06B 9/60  
 160/313  
 2011/0067820 A1 3/2011 Hsu et al.  
 2011/0139382 A1 \* 6/2011 Daniels ..... E06B 9/50  
 160/309  
 2011/0186246 A1 8/2011 Lin  
 2012/0043029 A1 2/2012 Gaskill et al.  
 2012/0255686 A1 10/2012 Huang  
 2013/0255894 A1 10/2013 Kim  
 2014/0069595 A1 \* 3/2014 Chen ..... E06B 9/72  
 160/291  
 2014/0182793 A1 7/2014 Byun  
 2014/0231032 A1 \* 8/2014 Blair ..... E06B 9/42  
 160/310  
 2014/0251558 A1 9/2014 Chou  
 2014/0262068 A1 9/2014 Buccola, Jr. et al.  
 2014/0374036 A1 12/2014 Chen  
 2015/0184454 A1 7/2015 Strand  
 2016/0083999 A1 3/2016 Chen et al.

2016/0130863 A1 5/2016 Cheng  
 2016/0348428 A1 12/2016 Cheng  
 2017/0096855 A1 4/2017 Chen  
 2018/0023340 A1 1/2018 Goldberg et al.  
 2018/0112462 A1 4/2018 Chen  
 2018/0179812 A1 6/2018 Dubina et al.  
 2019/0017321 A1 1/2019 Chen

FOREIGN PATENT DOCUMENTS

DE 20 2012 007 904 U1 1/2014  
 EP 2 354 430 A2 8/2011  
 JP 2013-14931 A 1/2013

OTHER PUBLICATIONS

R How to Remove Coolaroo Exterior Sun Shades, posted Aug. 30, 2013, [retrieved Mar. 27, 2018]. Retrieved from Internet, <URL: <https://www.youtube.com/watch?v=8GFJ2UY3fVI>>.\*  
 Roller Shade & Blackouts Installation, posted unknown, [retrieved Mar. 27, 2018]. Retrieved from Internet, <URL: <http://www.theshadedesigners.com/how-to-install/installation-rollershadesblackouts/>>.\*  
 Coolaroo Exterior Sun Shade Idle End Unit, posted unknown, [retrieved Mar. 27, 2018]. Retrieved from Internet, <URL: <https://wholesaleblindparts.com/products/copy-of-coolaroo-exterior-sun-shade-cordless-crank-kit>>.\*  
 Coolaroo, Exterior Roller Sun Shade Installation Instructions, Apr. 2012, 12 pages.  
 Coolaroo Cordless Sun Shade Installation Instructions, Jun. 2013, 12 pages.  
 Coulisse, Absolute Roller Blind 2.0 Brochure, Aug. 2015, 124 pages.  
 How to Remove Coolaroo Exterior Sun Shades, posted Aug. 30, 2013, [retrieved Mar. 27, 2018]. Retrieved from Internet, <URL: <https://www.youtube.com/watch?v=8GFJ2UY3fVI>>.\*  
 U.S. Appl. No. 29/604,680, filed May 19, 2017 (unpublished).  
 U.S. Appl. No. 29/616,079, filed Sep. 1, 2017 (unpublished).  
 Somfy Systems, Inc., Motor Catalog, Dec. 2003 (78 pages).  
 Lutron Electronics Co., Inc., Sivoia QS Roller 64 Shades Specification Submittal, 2007 (16 pages).  
 Lutron Electronics Co., Inc., Sivoia QED Roller 20 Shades Product Specification, 2008 (14 pages).  
 The Shade Store Blog, “Go for the Gold, Silver, or Bronze Window Treatment Hardware”, posted Aug. 1, 2012 [retrieved Aug. 21, 2019]. Retrieved from Internet, <URL: <https://www.theshadestore.com/blog/go-for-the-gold-silver-or-bronze-window-treatment-hardware/>>.\*  
 The Shade Store Blog, “How to Hang Roller Shades: Regular or Reverse Roll”, posted Sep. 19, 2016 [retrieved Aug. 21, 2019]. Retrieved from Internet, <URL: <https://www.theshadestore.com/blog/how-to-hang-roller-shades/>>.\*  
*Geigtech East Bay LLC v. Lutron Electronics Co., Inc.*, U.S. District Court for the Southern District of New York, Complaint (including Exhibits A & B), Case No. 1:18-cv-05290-CM, filed Jun. 12, 2018, 97 pages.  
 Spectrum White Plastic Wall Mount Folding Paper Towel Holder. Amazon.com. Oct. 2, 2001. Accessed Jun. 16, 2019. (Year: 2001).  
 Aura Shading by Tillys Interiors Ltd. Accessed on Jun. 16, 2019. (Year: 2019).  
 Ambio Roller Shades by Altex Window Fashions. Accessed on Jun. 14, 2019. (Year: 2019).

\* cited by examiner

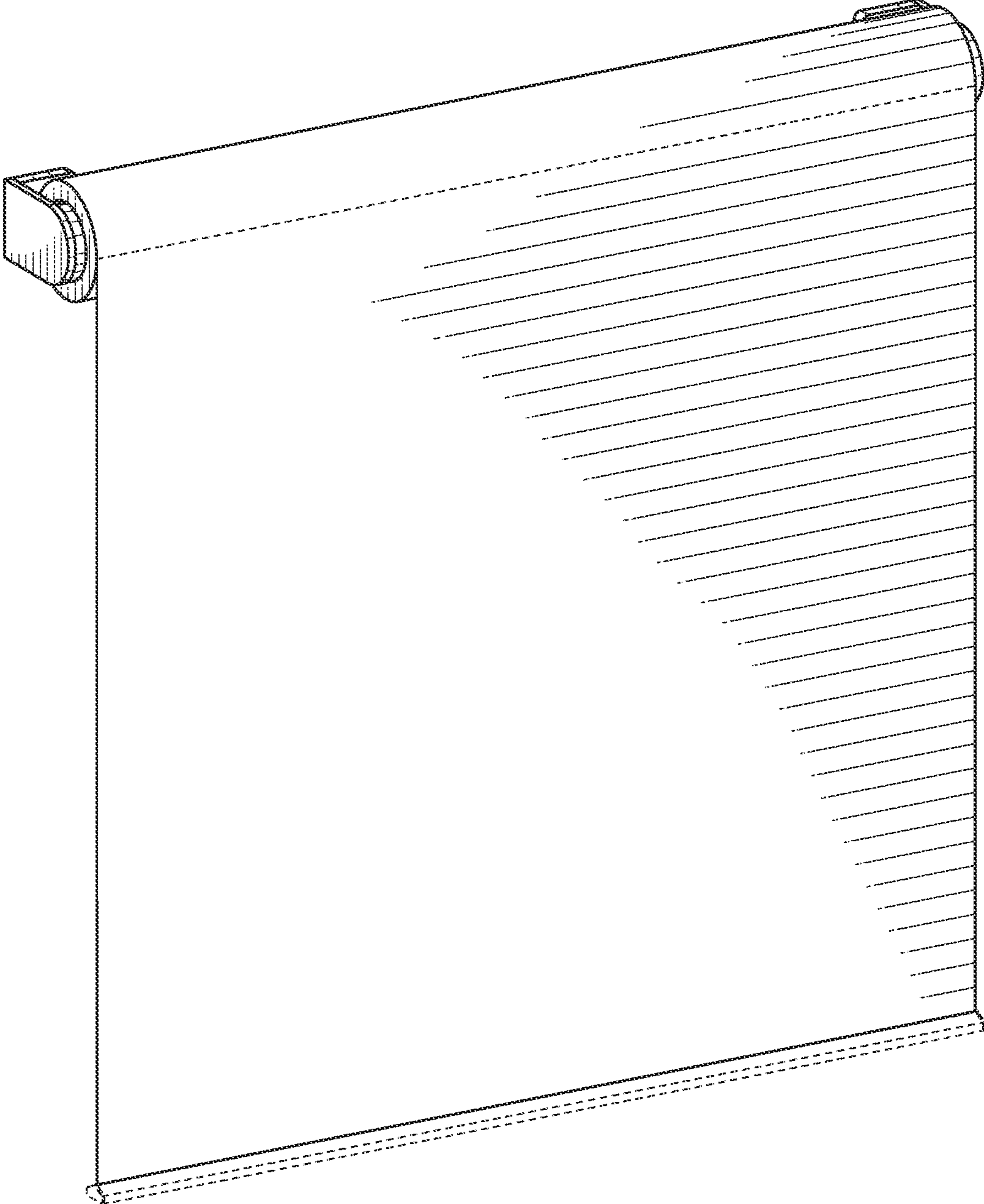


FIG. 1

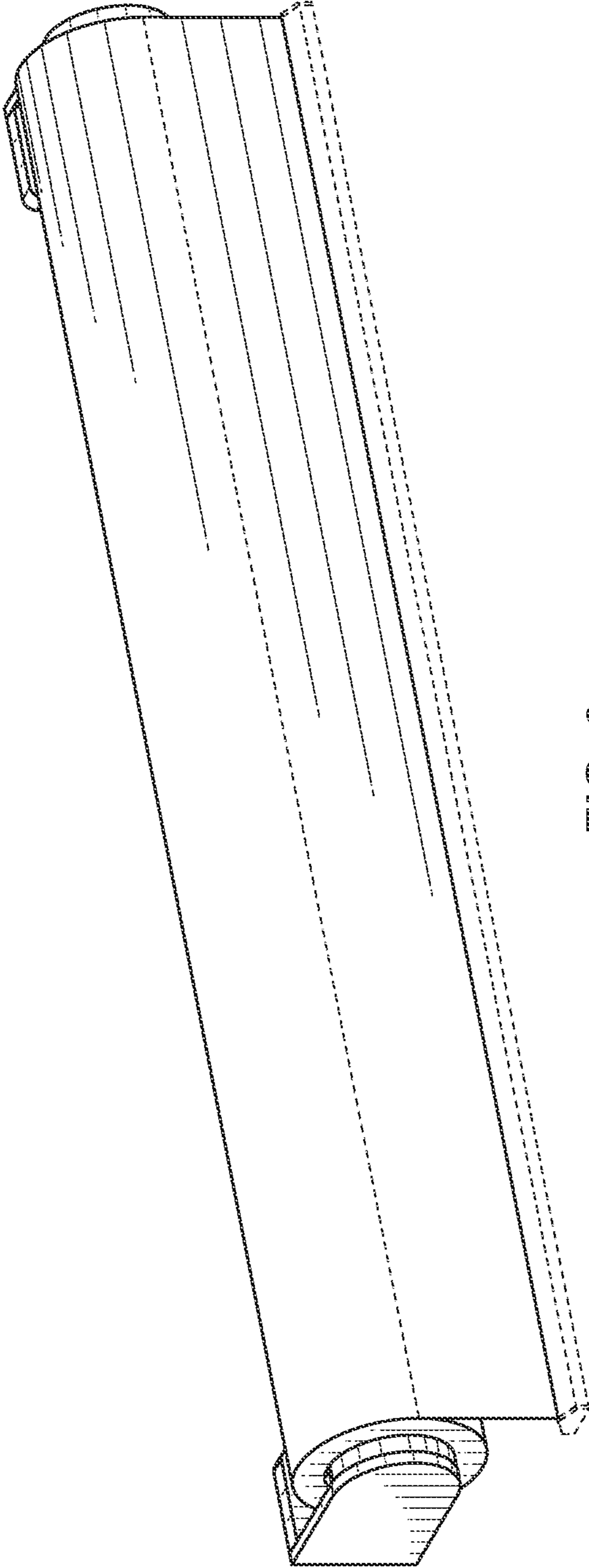


FIG. 2

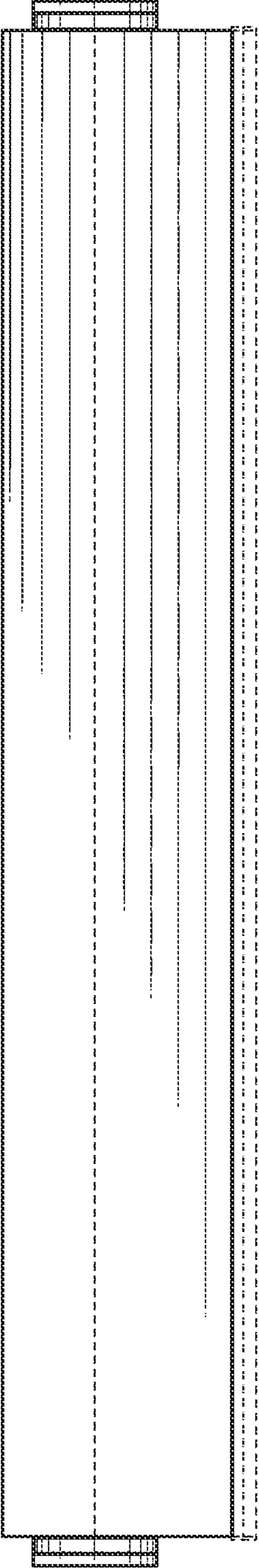


FIG. 3

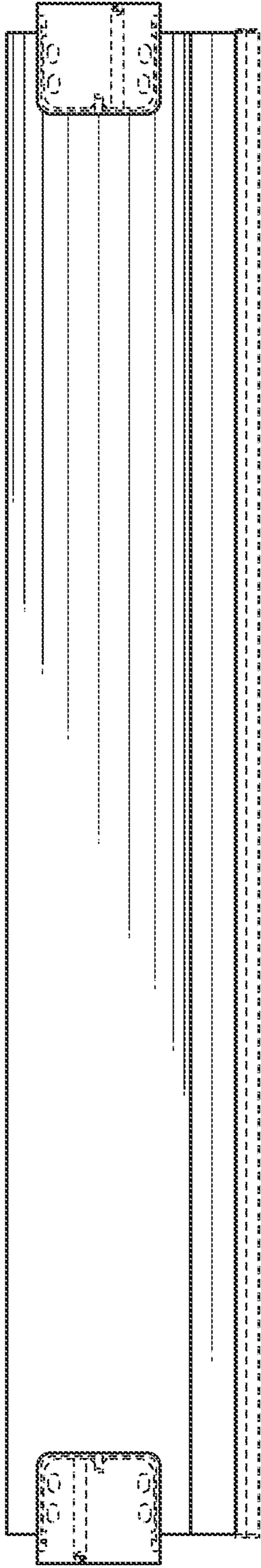


FIG. 4

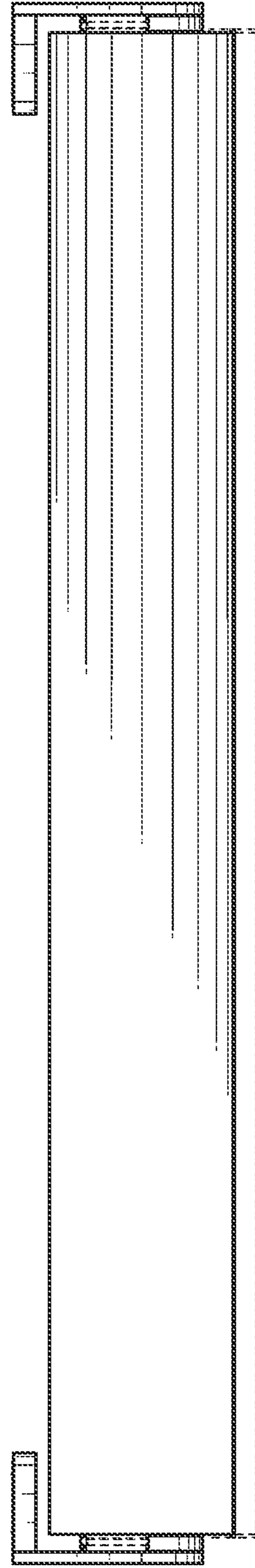


FIG. 5

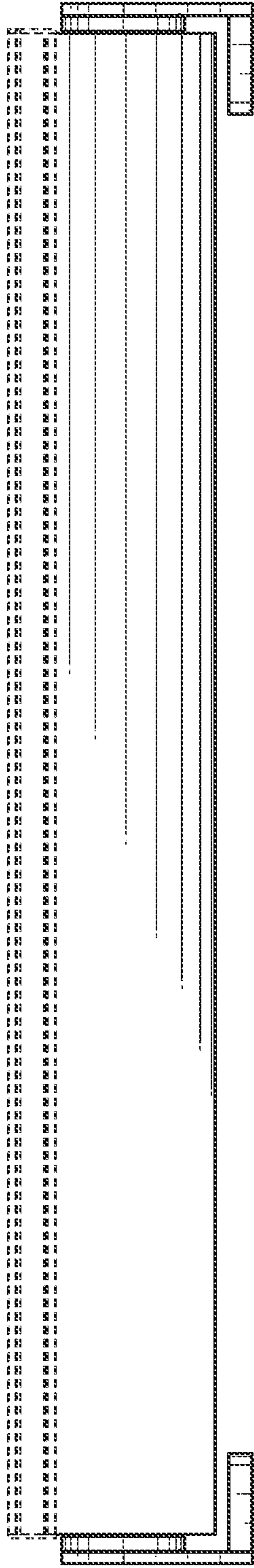


FIG. 6

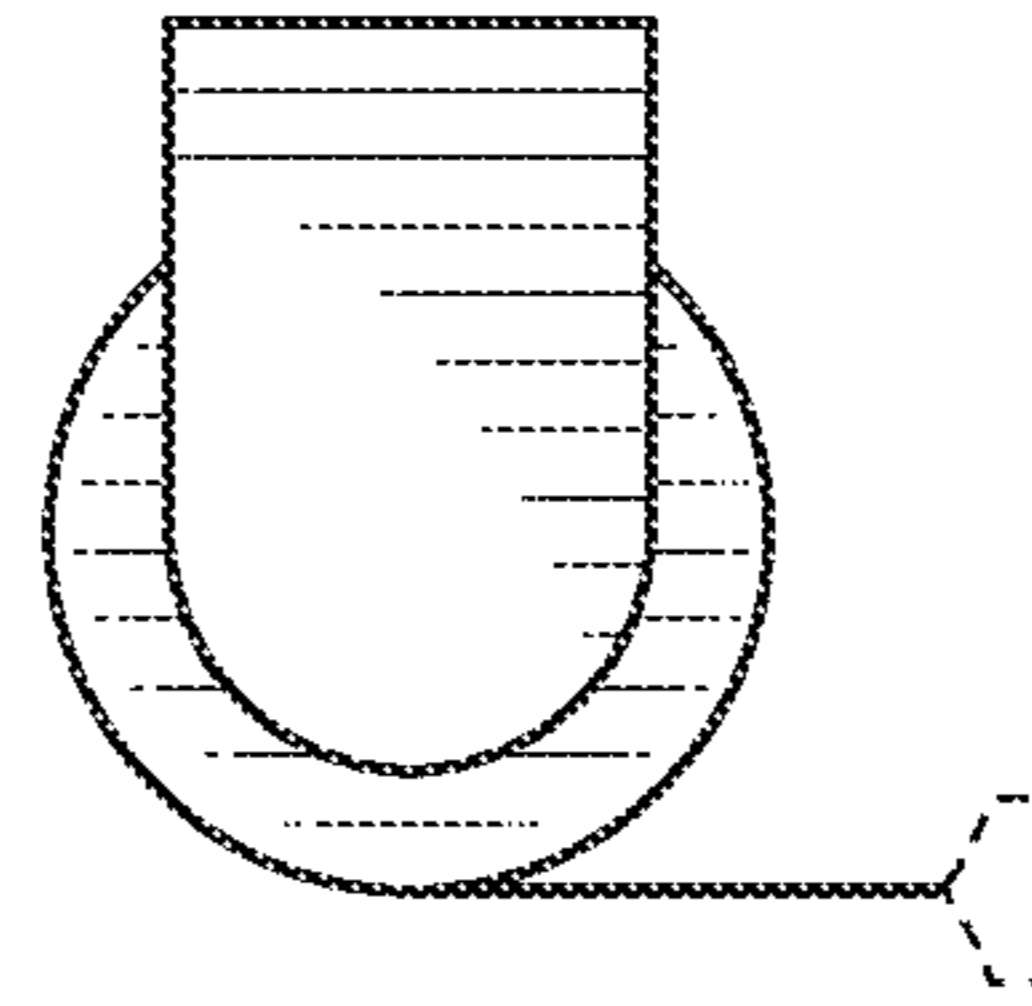


FIG. 8

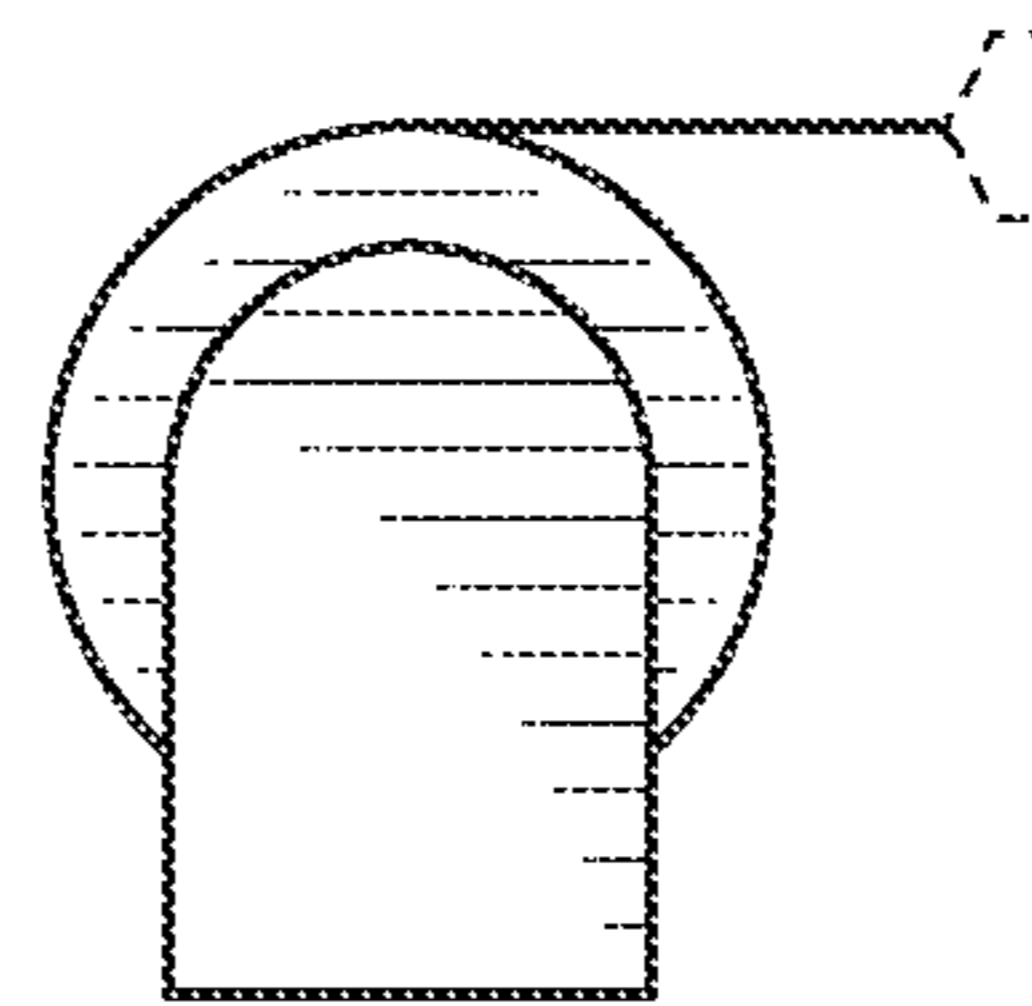


FIG. 7

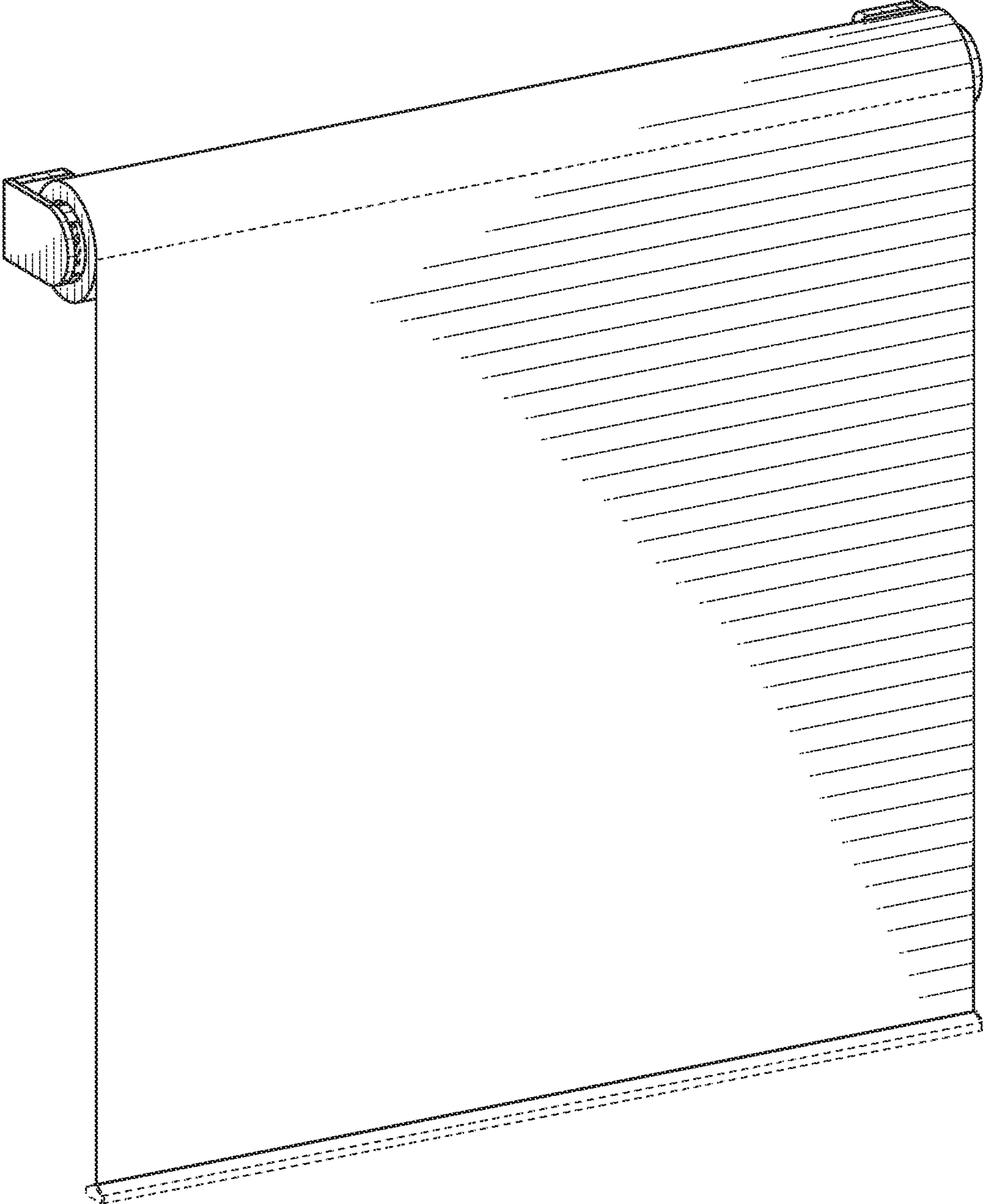


FIG. 9

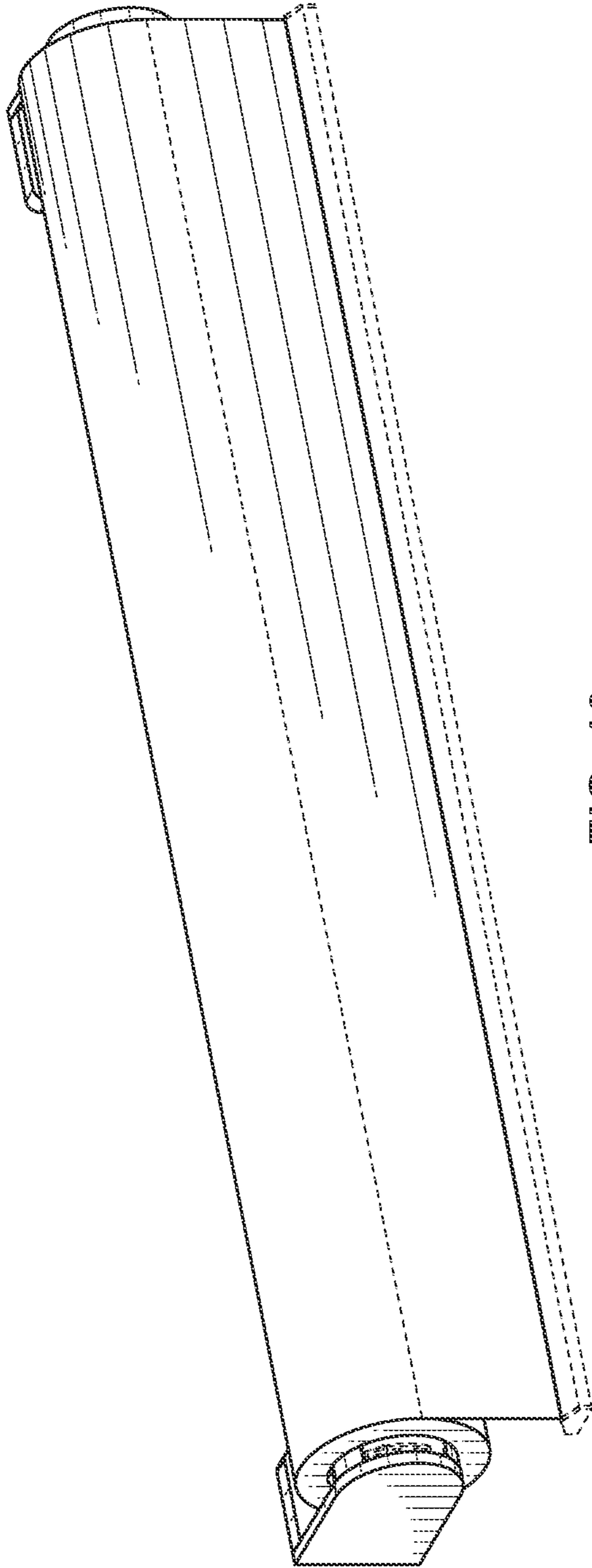


FIG. 10

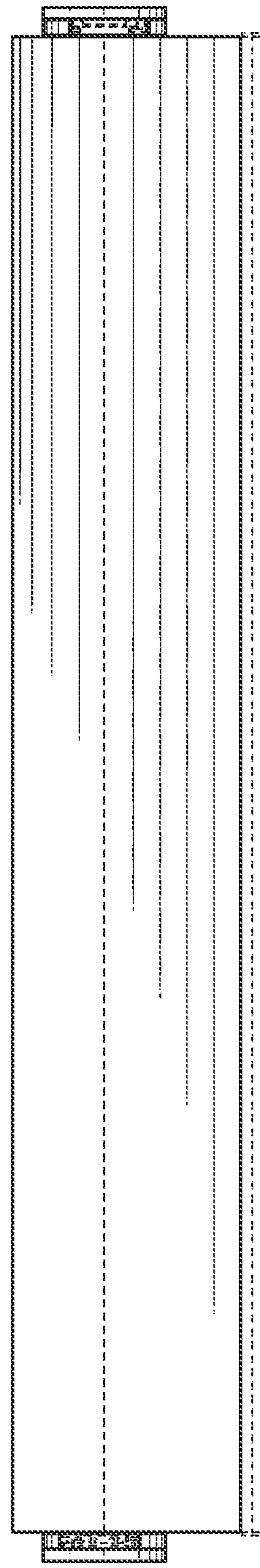


FIG. 11



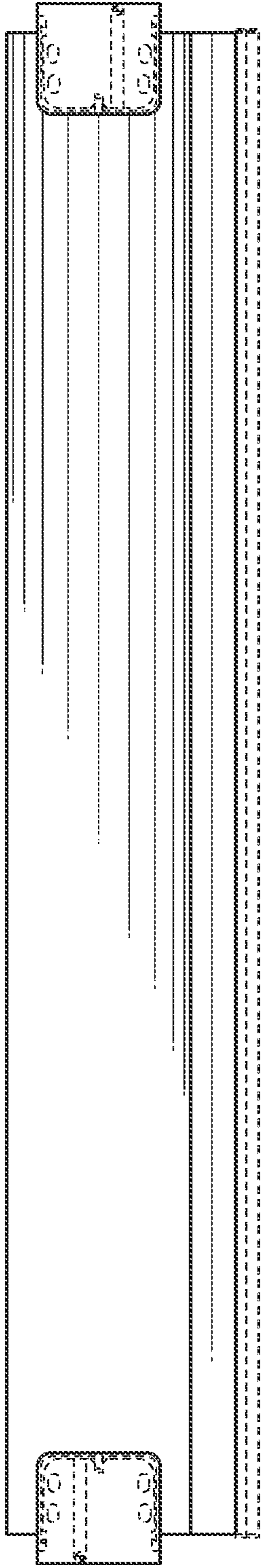


FIG. 12

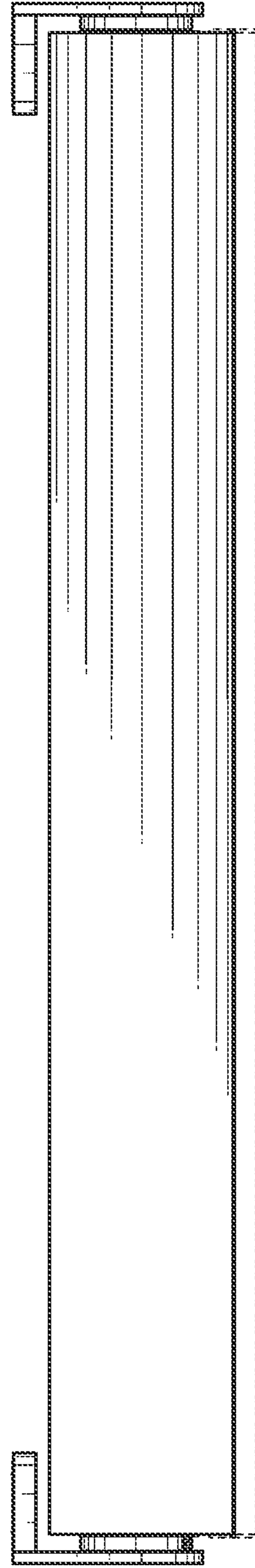


FIG. 13

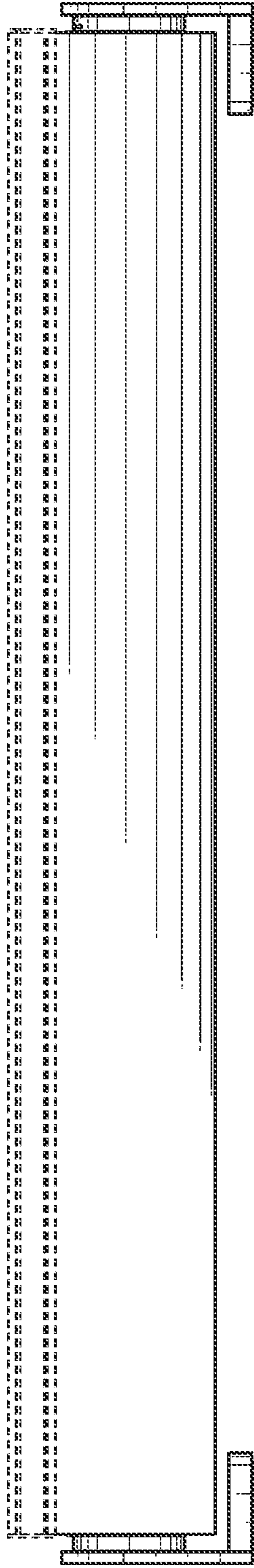


FIG. 14

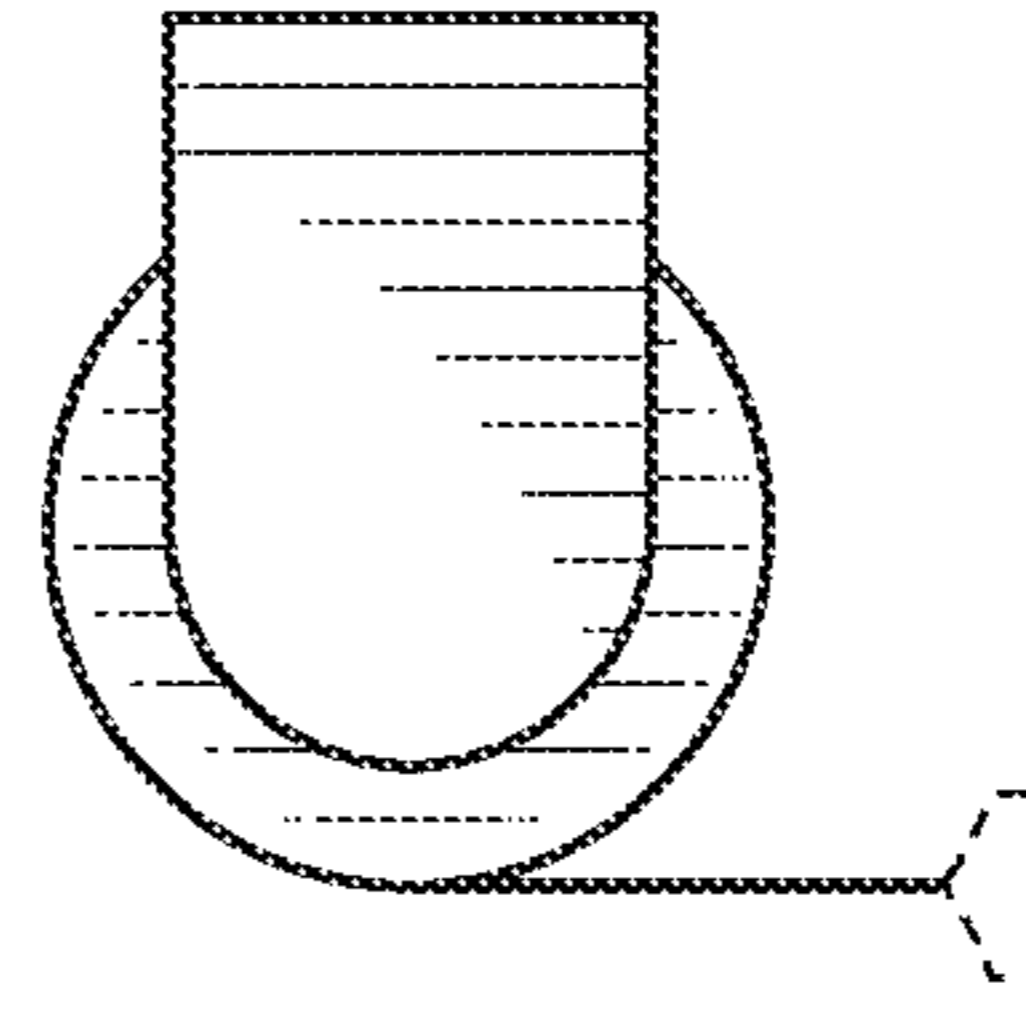


FIG. 16

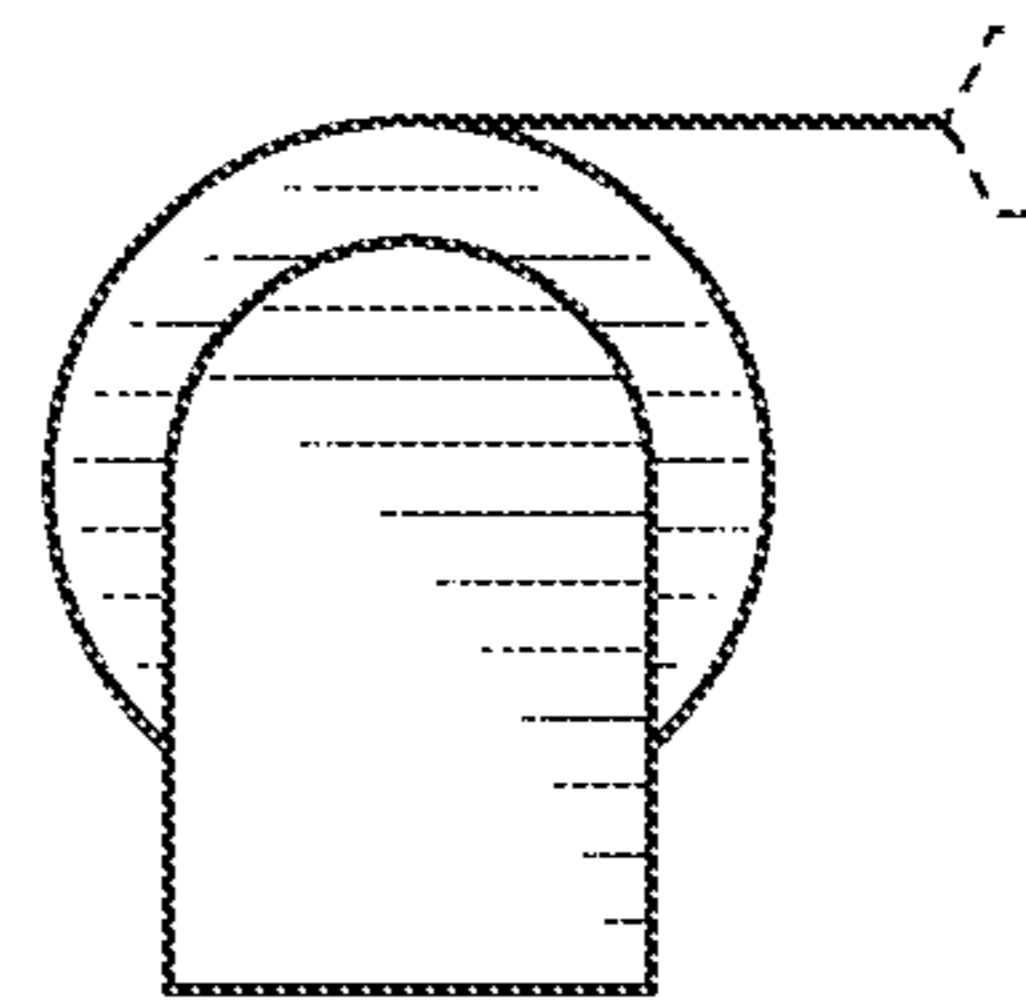


FIG. 15

UNITED STATES PATENT AND TRADEMARK OFFICE  
**CERTIFICATE OF CORRECTION**

PATENT NO. : D943,401 S  
APPLICATION NO. : 29/602208  
DATED : February 15, 2022  
INVENTOR(S) : Pejic

Page 1 of 1

It is certified that error appears in the above-identified patent and that said Letters Patent is hereby corrected as shown below:

On the Title Page

Item (56) OTHER PUBLICATIONS

Page 2 Column 2 Lines 5-7:

-<URL: <http://www.theshadedesigners.com/how-to-install/installation-rollershadesblackouts/>>-

Should read:

--<URL: <http://www.theshadedesigners.com/how-to-install/installation-rollershadesblackouts/>>--

Signed and Sealed this  
Twelfth Day of April, 2022



Drew Hirshfeld  
*Performing the Functions and Duties of the  
Under Secretary of Commerce for Intellectual Property and  
Director of the United States Patent and Trademark Office*