



US00D943400S

(12) **United States Design Patent** (10) **Patent No.:** **US D943,400 S**
Adelman (45) **Date of Patent:** **** Feb. 15, 2022**

(54) **DOUBLE CARABINER**

(71) Applicant: **Nite Ize, Inc.**, Boulder, CO (US)

(72) Inventor: **Gregory M. Adelman**, Boulder, CO (US)

(73) Assignee: **Nite Ize, Inc.**, Boulder, CO (US)

(**) Term: **15 Years**

(21) Appl. No.: **29/785,919**

(22) Filed: **May 27, 2021**

Related U.S. Application Data

(63) Continuation-in-part of application No. 17/097,335, filed on Nov. 13, 2020.

(51) **LOC (13) Cl.** **09-06**

(52) **U.S. Cl.**
USPC **D8/356; D8/367**

(58) **Field of Classification Search**
USPC D8/356, 354, 105, 349, 367; D3/207; 24/376

CPC B65H 57/16; B63B 21/045; A63B 27/02
See application file for complete search history.

(56) **References Cited**

U.S. PATENT DOCUMENTS

- 582,780 A * 5/1897 Eldridge F16B 45/02 24/582.11
- D577,574 S * 9/2008 Liang D8/356
- D607,712 S * 1/2010 Kelleghan D8/356
- D626,393 S * 11/2010 Ormsbee D8/34
- D637,473 S * 5/2011 Mitchell D8/336
- D646,556 S * 10/2011 Kelleghan D8/356
- D669,764 S * 10/2012 Kelleghan D8/356
- D702,106 S * 4/2014 Weinberg D8/356
- D725,373 S * 3/2015 Jiang D3/207
- D729,513 S * 5/2015 Jiang D3/207

- 9,255,602 B2 * 2/2016 Liang F16B 45/06
- D762,460 S * 8/2016 Gobbi D8/356
- D765,493 S * 9/2016 Spater D8/356
- D766,071 S * 9/2016 Spater D8/356
- D767,975 S * 10/2016 Jiang D8/356
- 9,521,939 B2 * 12/2016 Haarburger A47L 13/16
- D775,513 S * 1/2017 Kelleghan D8/356
- D784,798 S * 4/2017 Logsdon D8/394
- D785,316 S * 5/2017 Grossman D3/208
- D785,317 S * 5/2017 Grossman D3/208
- 9,797,432 B2 * 10/2017 Inkavesvaanit F16B 45/02
- D811,838 S * 3/2018 Enrico D8/34
- D821,090 S * 6/2018 Case D3/207
- D821,854 S * 7/2018 Berman D8/356

(Continued)

Primary Examiner — Cynthia R Underwood

(74) *Attorney, Agent, or Firm* — Haynes and Boone, LLP

(57) **CLAIM**

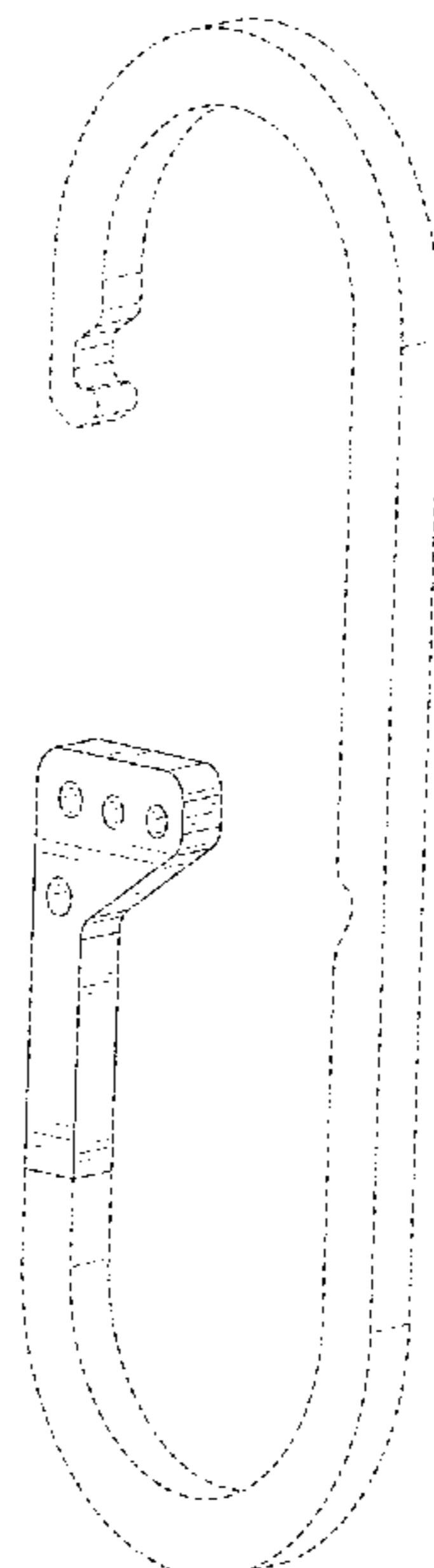
The ornamental design for the double carabiner, as shown and described.

DESCRIPTION

FIG. 1 shows a front perspective view of a double carabiner; FIG. 2 shows a front view of the double carabiner of FIG. 1; FIG. 3 shows a rear view of the double carabiner of FIG. 1; FIG. 4 shows a right side view of the double carabiner of FIG. 1; FIG. 5 shows a left side view of the double carabiner of FIG. 1; FIG. 6 shows a top view of the double carabiner of FIG. 1; and, FIG. 7 shows a bottom view of the double carabiner of FIG. 1.

The broken lines represent portions of the structure that forms no part of the claim. The boundary lines form a boundary of the claim.

1 Claim, 5 Drawing Sheets



(56)

References Cited

U.S. PATENT DOCUMENTS

D854,916	S *	7/2019	Derr	D8/356
D858,088	S *	9/2019	Osmanski	D3/207
D861,327	S *	10/2019	Osmanski	D3/207
10,499,712	B2 *	12/2019	Cowdery	A44B 13/02
10,514,057	B2 *	12/2019	Cardella	E05B 17/0041
10,624,426	B2 *	4/2020	Adelman	F16B 2/22
2009/0000086	A1 *	1/2009	Bing	F16B 45/06
				24/592.11
2016/0153487	A1 *	6/2016	Hollinger	F16B 45/02
				24/376

* cited by examiner

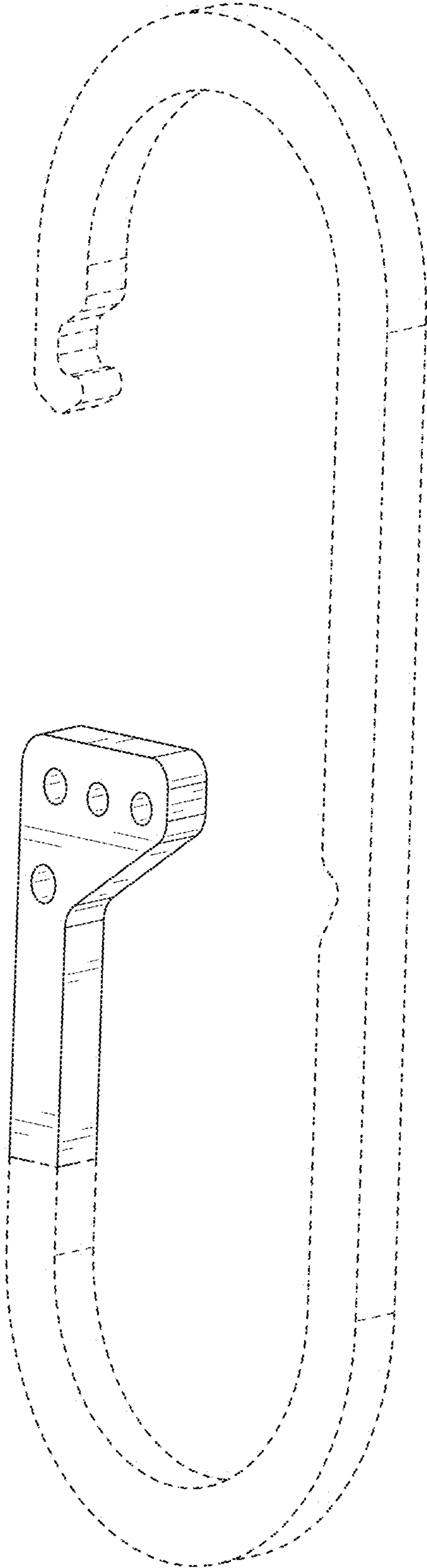


FIG. 1

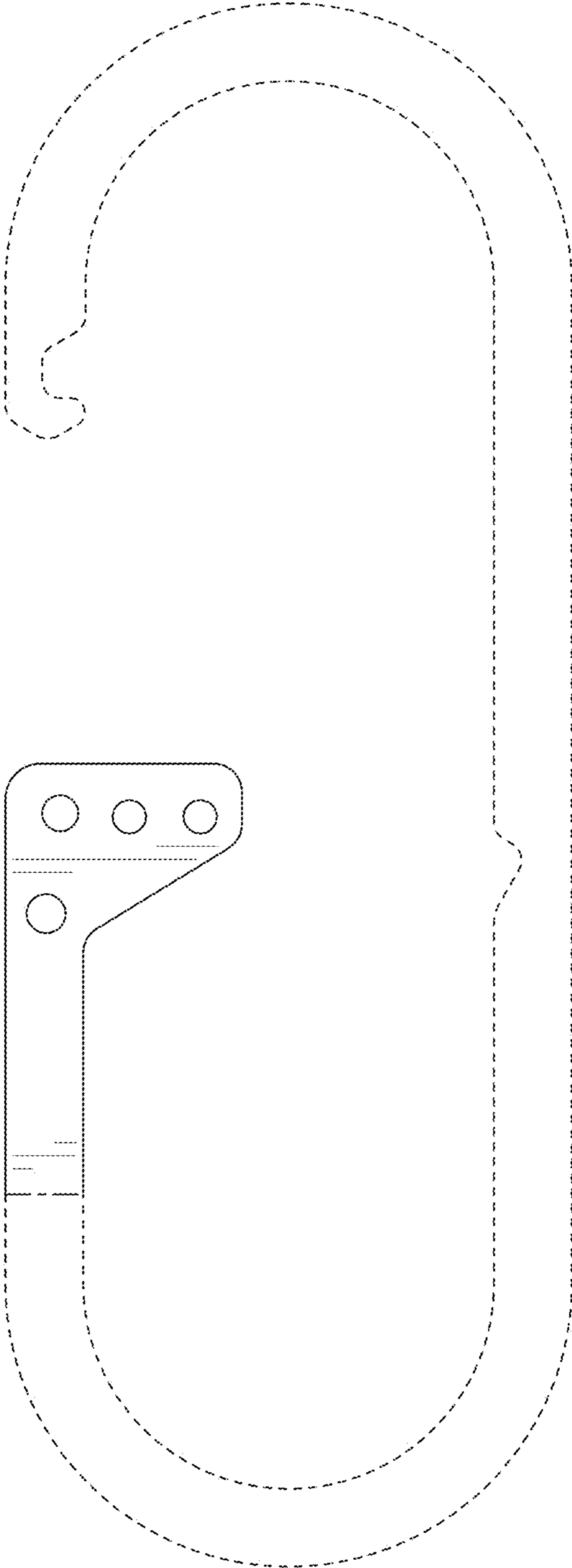


FIG. 2

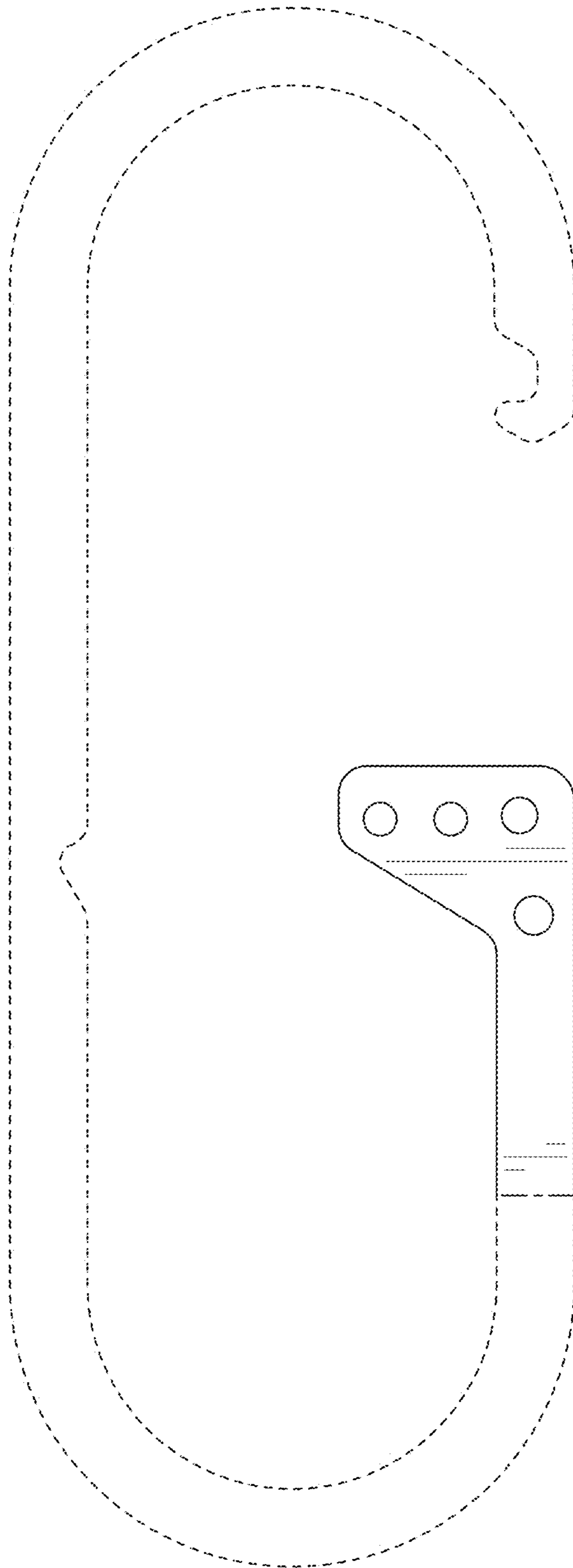


FIG. 3

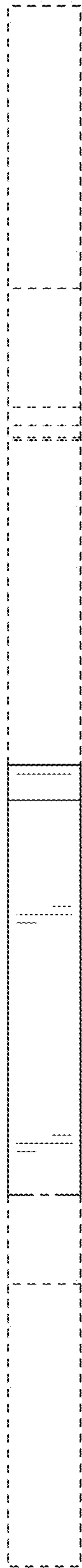


FIG. 4

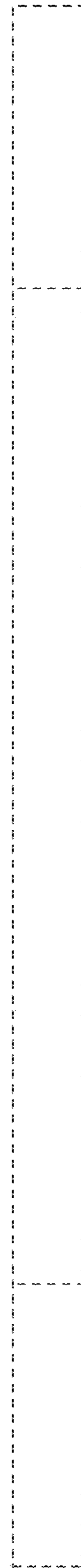


FIG. 5



FIG. 6



FIG. 7