



US00D943399S

(12) **United States Design Patent** (10) **Patent No.:** **US D943,399 S**
Swanson-Low (45) **Date of Patent:** **** Feb. 15, 2022**

(54) **CARABINER**
(71) Applicant: **Excalibur (Wales) Ltd**, Gwynedd (GB)
(72) Inventor: **Dougie Swanson-Low**, Gwynedd (GB)
(73) Assignee: **EXCALIBUR (WALES) LTD**,
Gwynedd (GB)
(**) Term: **15 Years**
(21) Appl. No.: **29/745,705**
(22) Filed: **Aug. 7, 2020**
(51) **LOC (13) Cl.** **09-06**
(52) **U.S. Cl.**
USPC **D8/356**
(58) **Field of Classification Search**
USPC D8/367, 356, 354, 349, 105; 24/599.9
CPC B63B 21/045; F16B 45/02; A63B 27/02;
A63B 29/08
See application file for complete search history.

2009/0056088 A1* 3/2009 Petzl F16B 45/02
24/599.9
2014/0123447 A1* 5/2014 Calvert F16B 45/021
24/599.9
2016/0281766 A1* 9/2016 Moine A63B 29/02
2016/0363159 A1* 12/2016 Yeh F16B 45/02
2018/0255882 A1* 9/2018 Liggett A62B 35/0037
2020/0124082 A1* 4/2020 Mojica F16B 45/02
2021/0123471 A1* 4/2021 Hung B29C 45/14336
2021/0285485 A1* 9/2021 Lin F16B 45/02

* cited by examiner

Primary Examiner — Cynthia R Underwood
(74) *Attorney, Agent, or Firm* — Nixon & Vanderhye

(57) **CLAIM**

The ornamental design for a carabiner, as shown and described.

DESCRIPTION

FIG. 1 is a front view of a carabiner showing the new design in a closed position;
FIG. 2 is rear view thereof;
FIG. 3 is a left side view thereof;
FIG. 4 is a right side view thereof;
FIG. 5 is an isometric front left view thereof;
FIG. 6 is an isometric front right view thereof;
FIG. 7 is an isometric rear left view thereof;
FIG. 8 is an isometric rear right view thereof;
FIG. 9 is a front view of a carabiner showing the new design with a gate in an open position;
FIG. 10 is rear view thereof;
FIG. 11 is a left side view thereof;
FIG. 12 is a right side view thereof;
FIG. 13 is an isometric front left view thereof;
FIG. 14 is an isometric front right view thereof;
FIG. 15 is an isometric rear left view thereof; and,
FIG. 16 is an isometric rear right view thereof.

1 Claim, 8 Drawing Sheets

(56) **References Cited**

U.S. PATENT DOCUMENTS

4,095,316 A * 6/1978 Gabriel F16B 45/02
226/200
D375,252 S * 11/1996 Serra Fabregas D8/356
7,320,159 B2* 1/2008 Petzl F16B 45/02
24/599.5
D668,528 S * 10/2012 Chung D8/356
D684,452 S * 6/2013 Petzl D8/356
D708,046 S * 7/2014 Petzl D8/356
D708,047 S * 7/2014 Petzl D8/356
D745,375 S * 12/2015 Gobbi D8/356
D764,899 S * 8/2016 Petzl D8/356
D786,655 S * 5/2017 Petzl D8/356
D808,774 S * 1/2018 Gobbi D8/356
D835,974 S * 12/2018 Moore D8/356
D867,855 S * 11/2019 Cowell D8/356
2007/0186393 A1* 8/2007 Thompson F16B 45/02
24/599.9

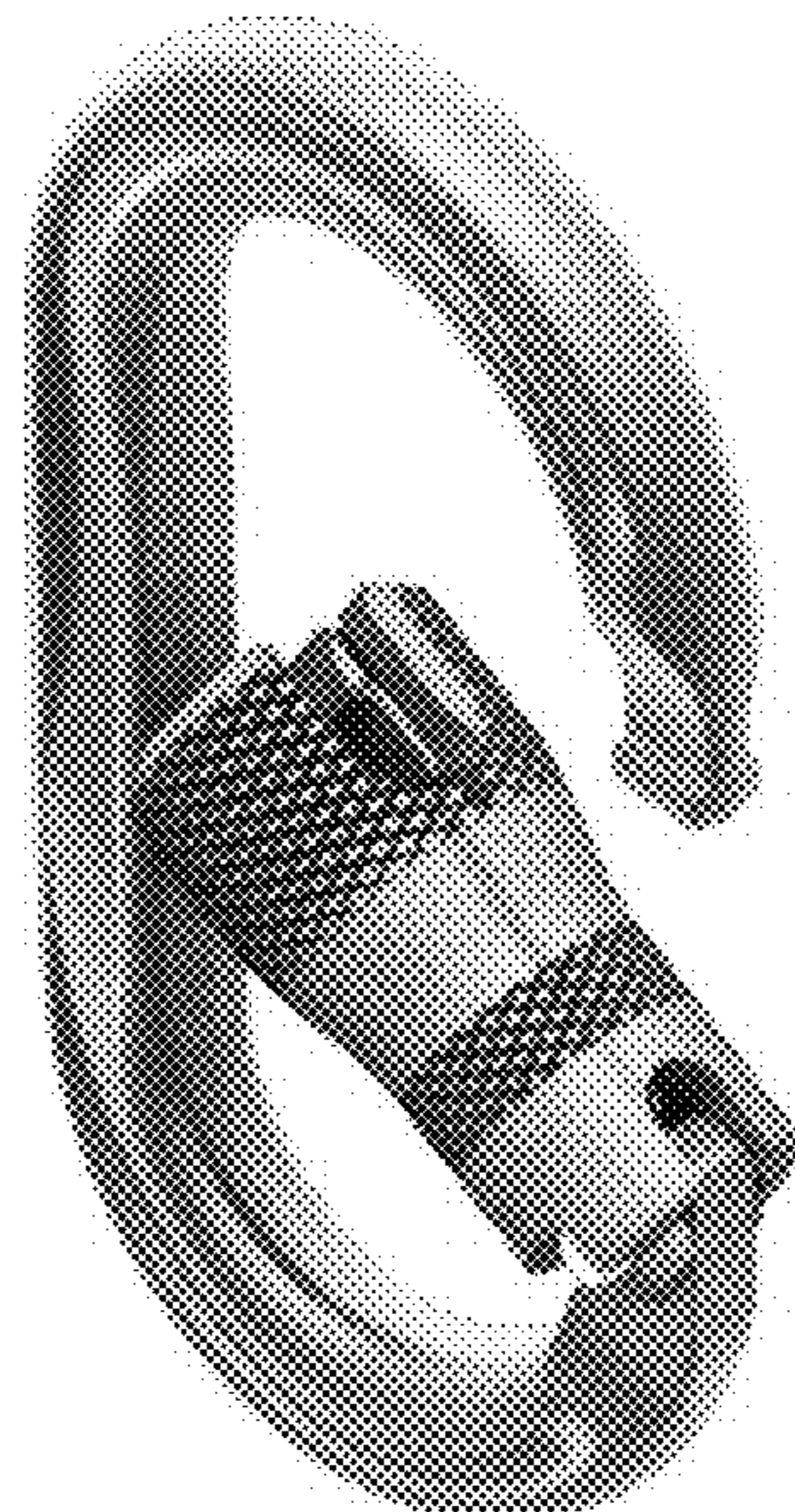




Fig 1



Fig 2

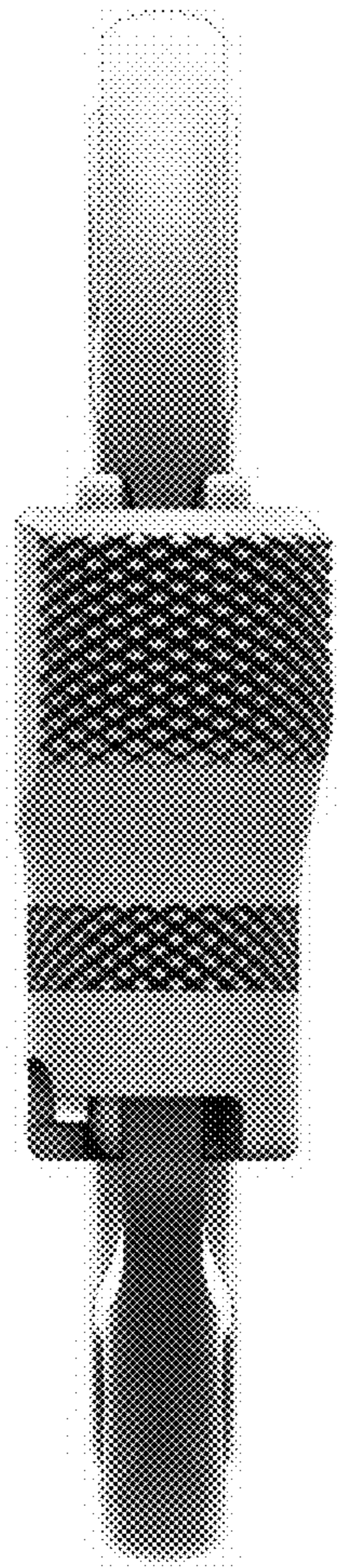


Fig 3

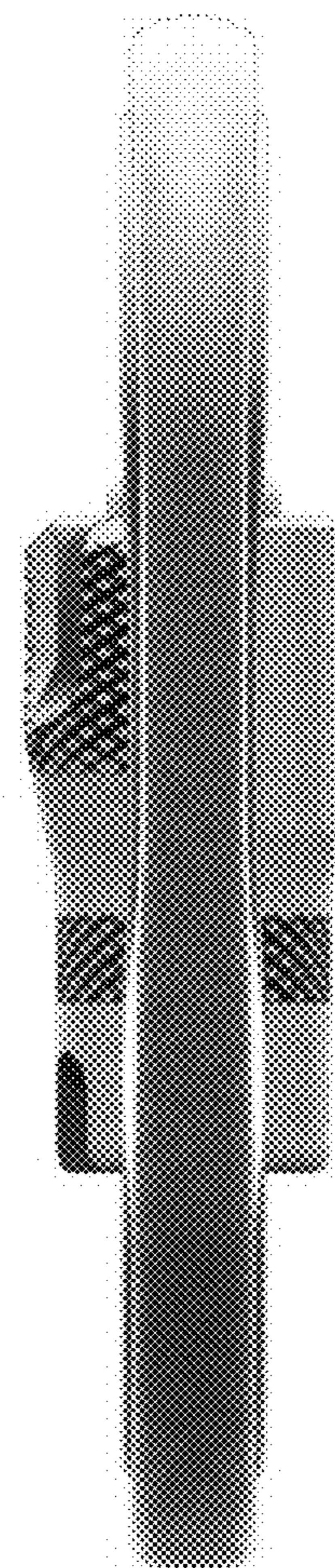


Fig 4

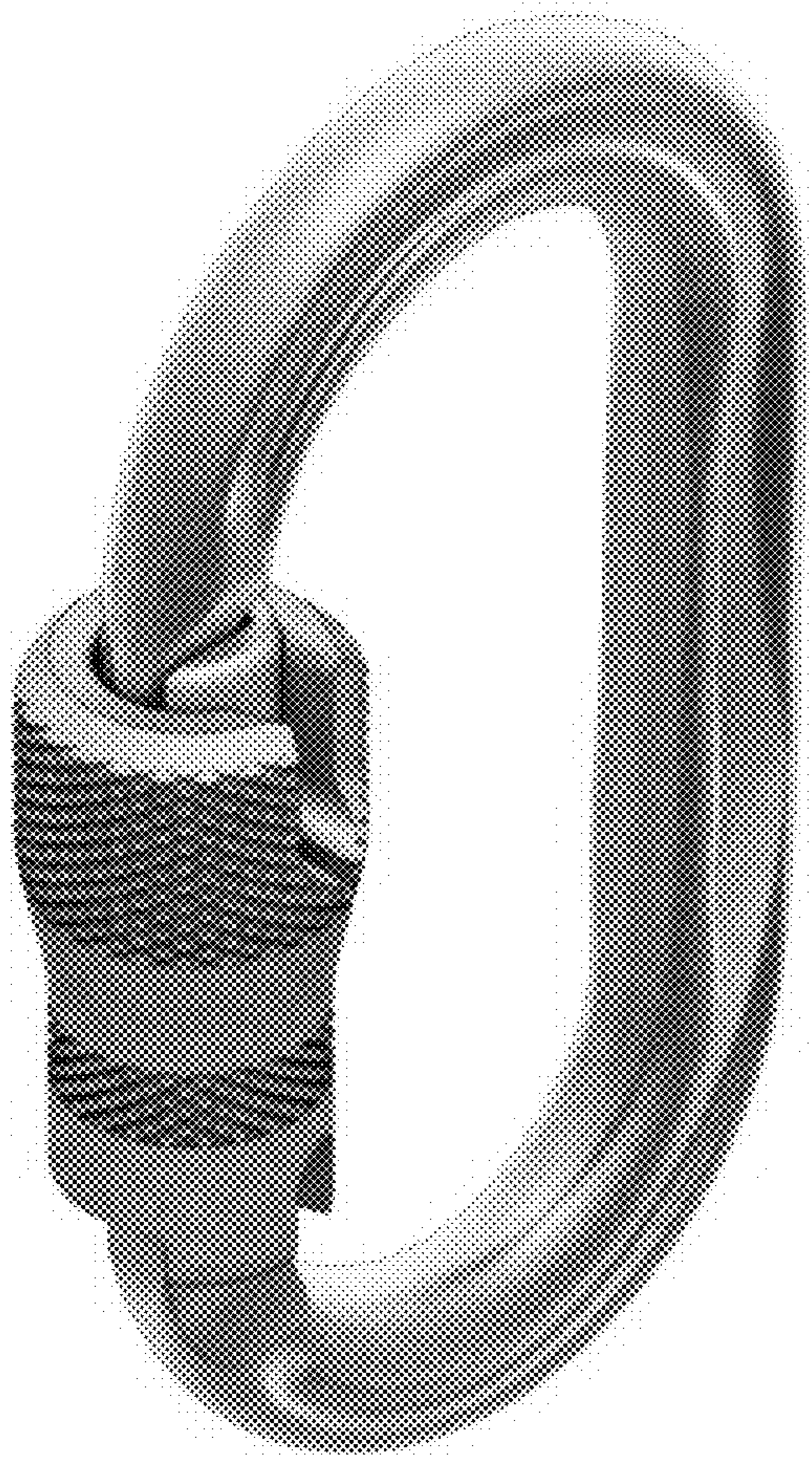


Fig 5

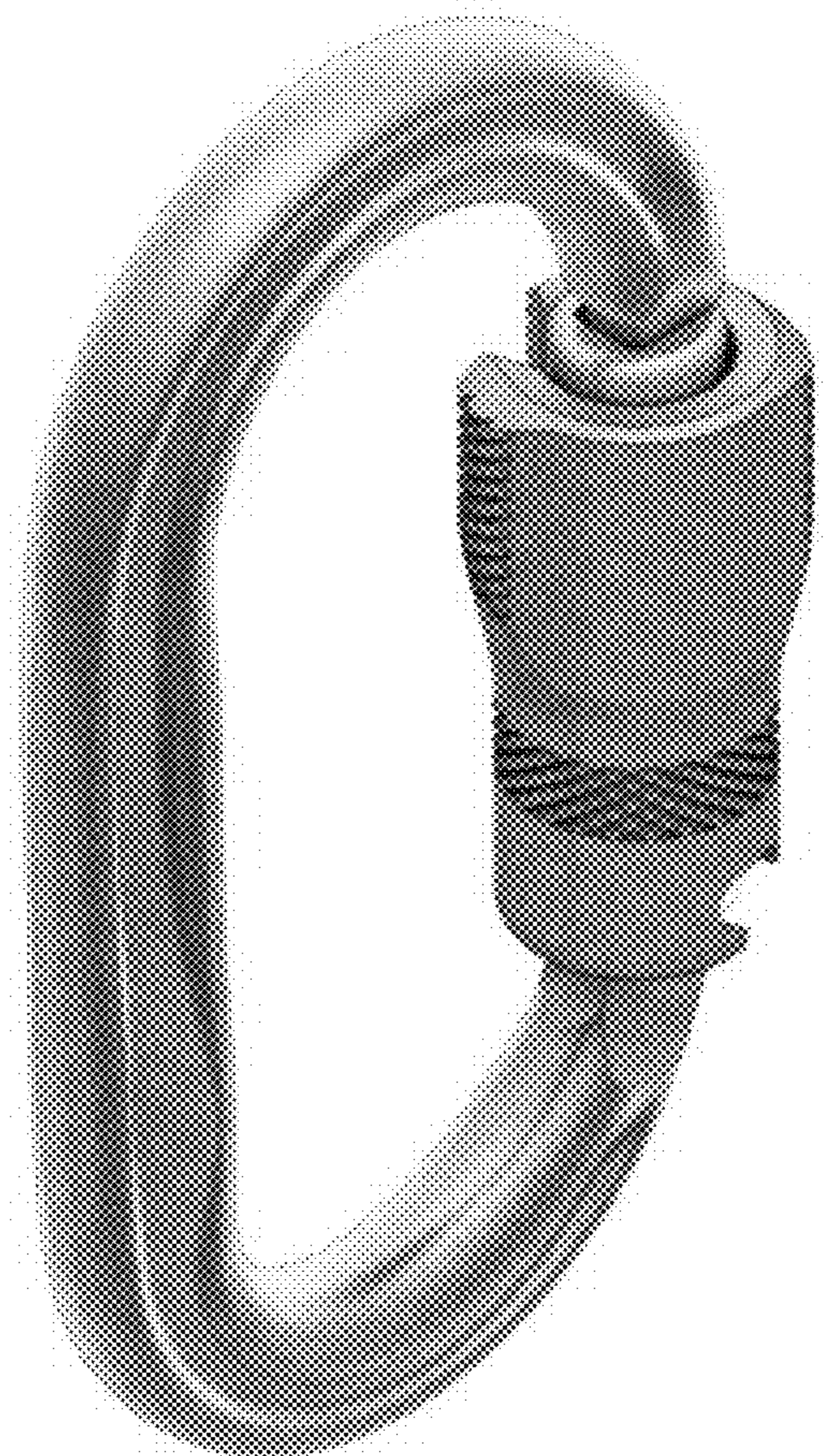


Fig 6

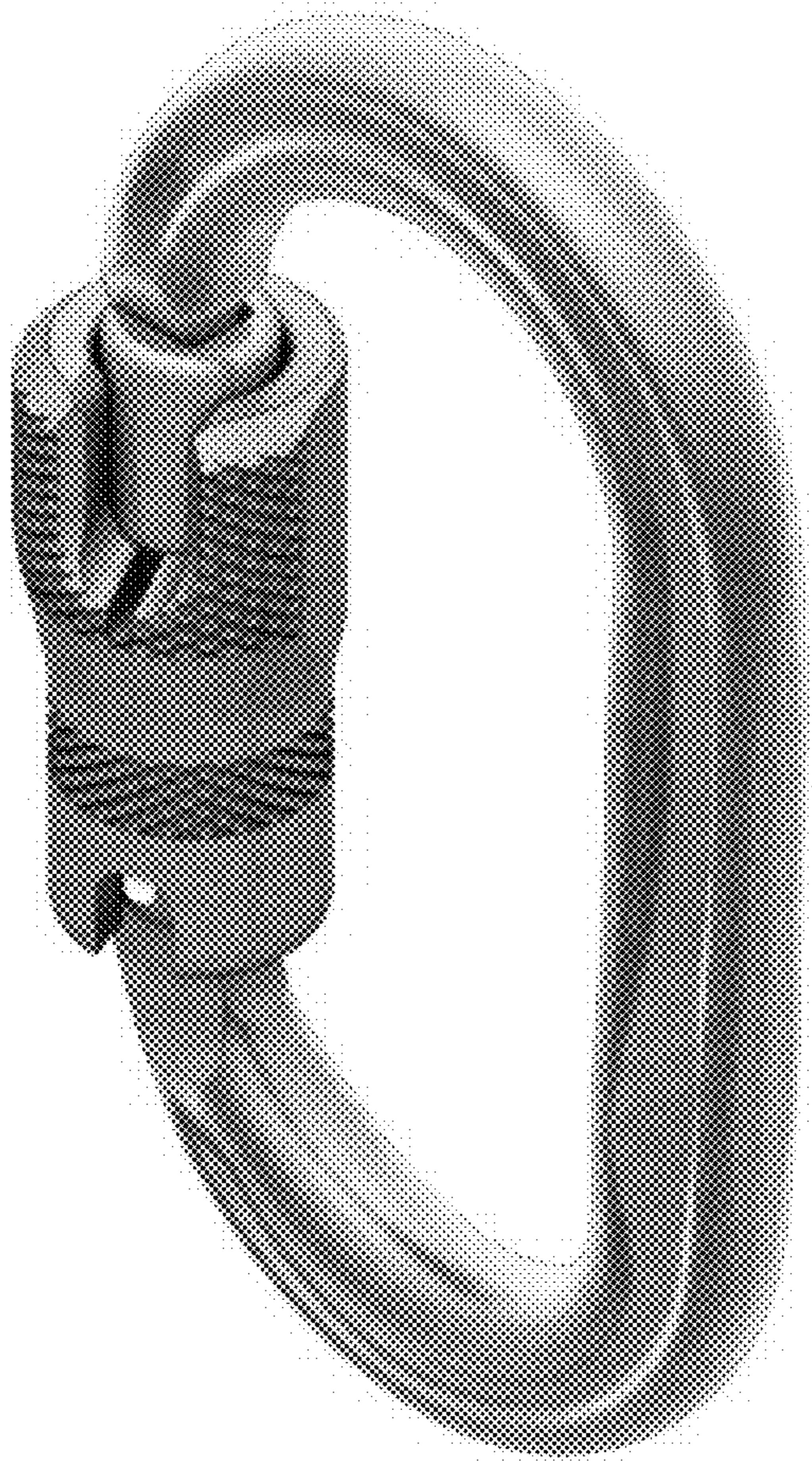


Fig 7

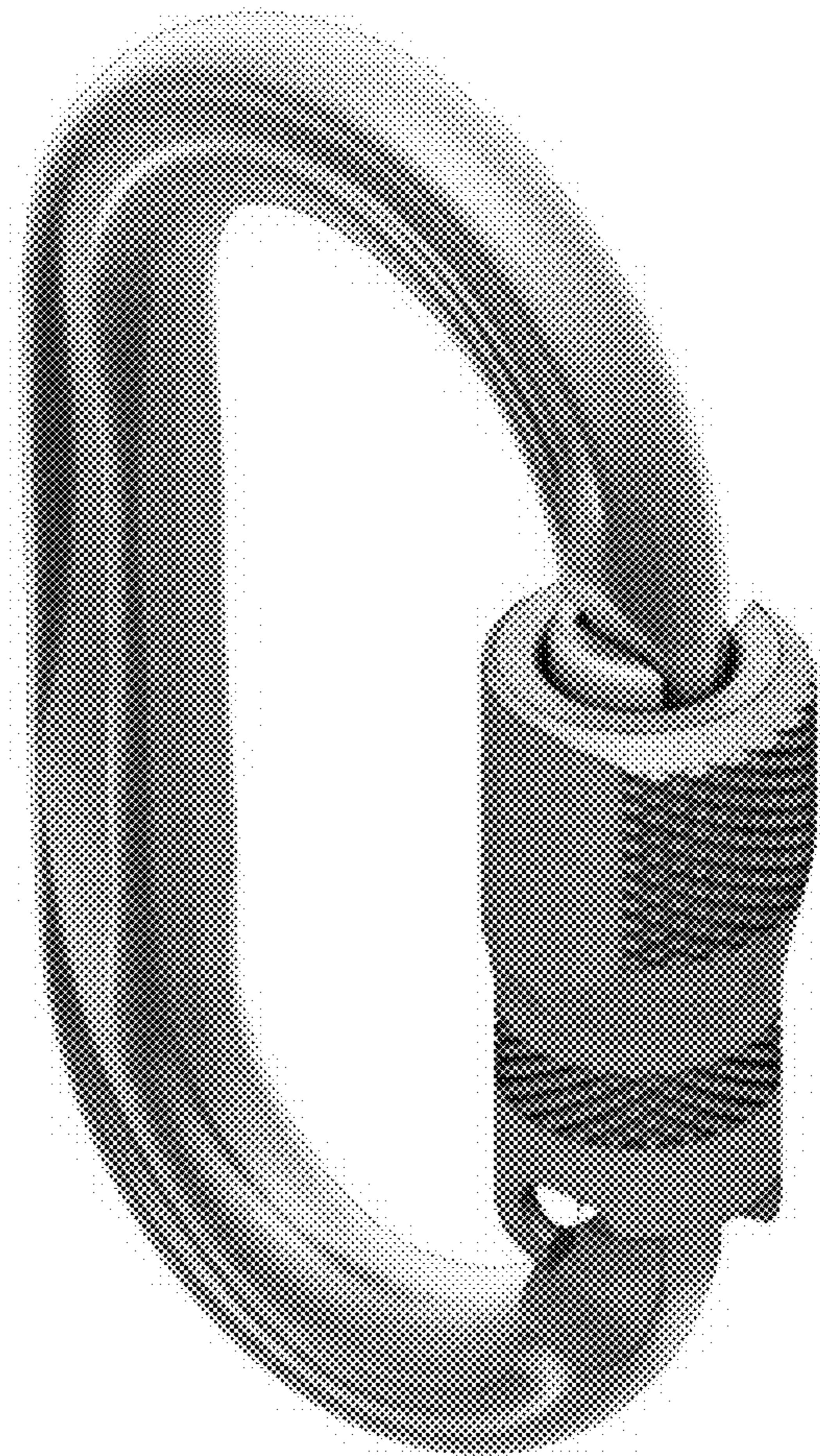


Fig 8

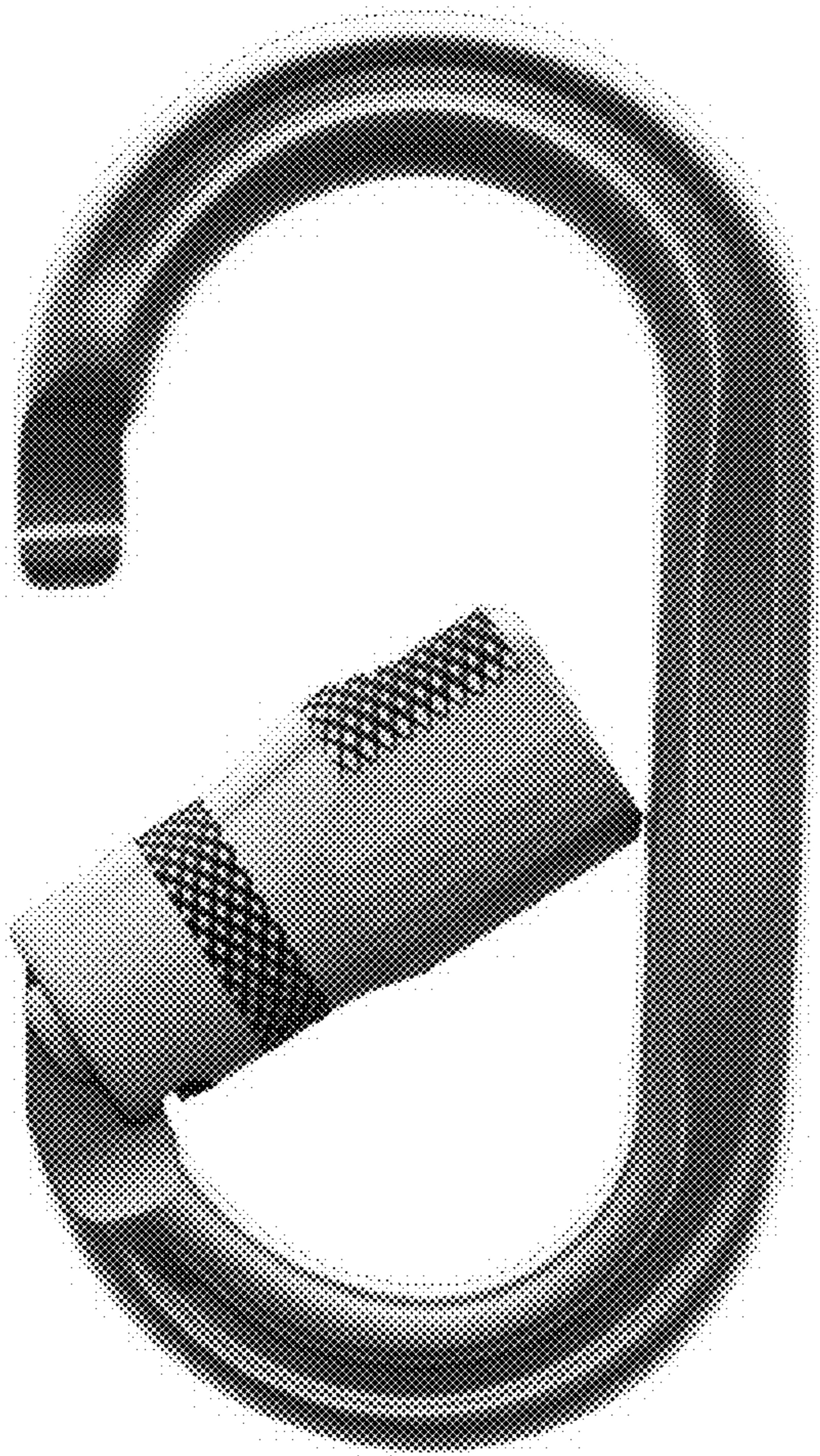


Fig 9



Fig 10



Fig 11

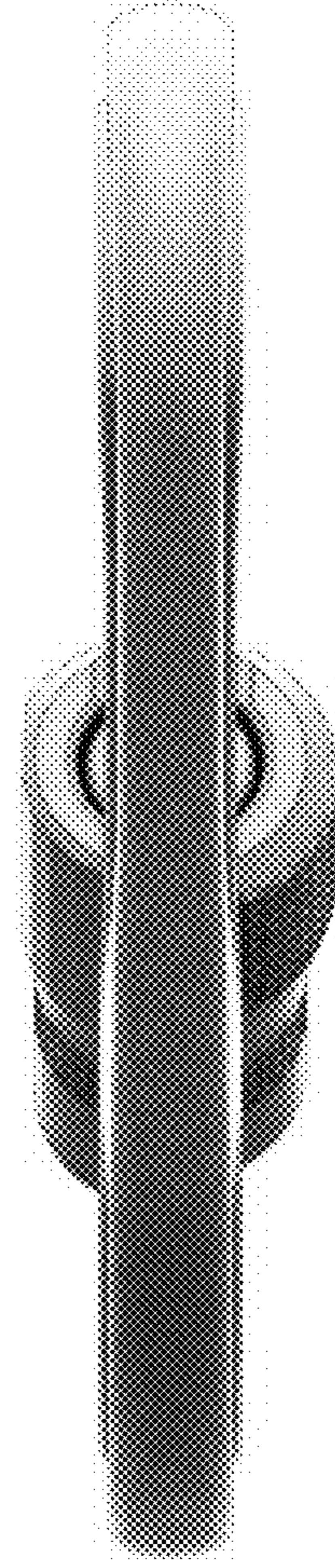


Fig 12

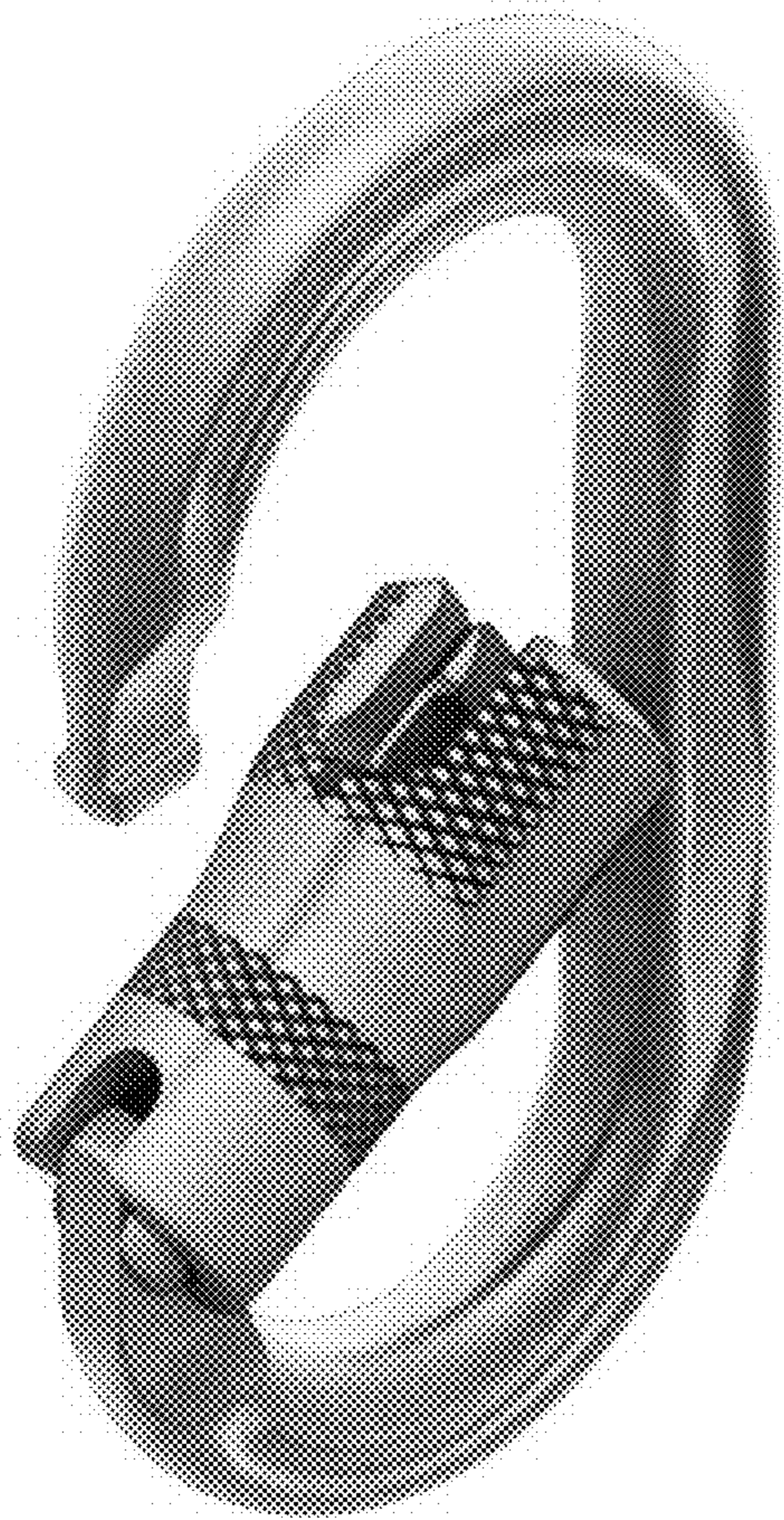


Fig 13

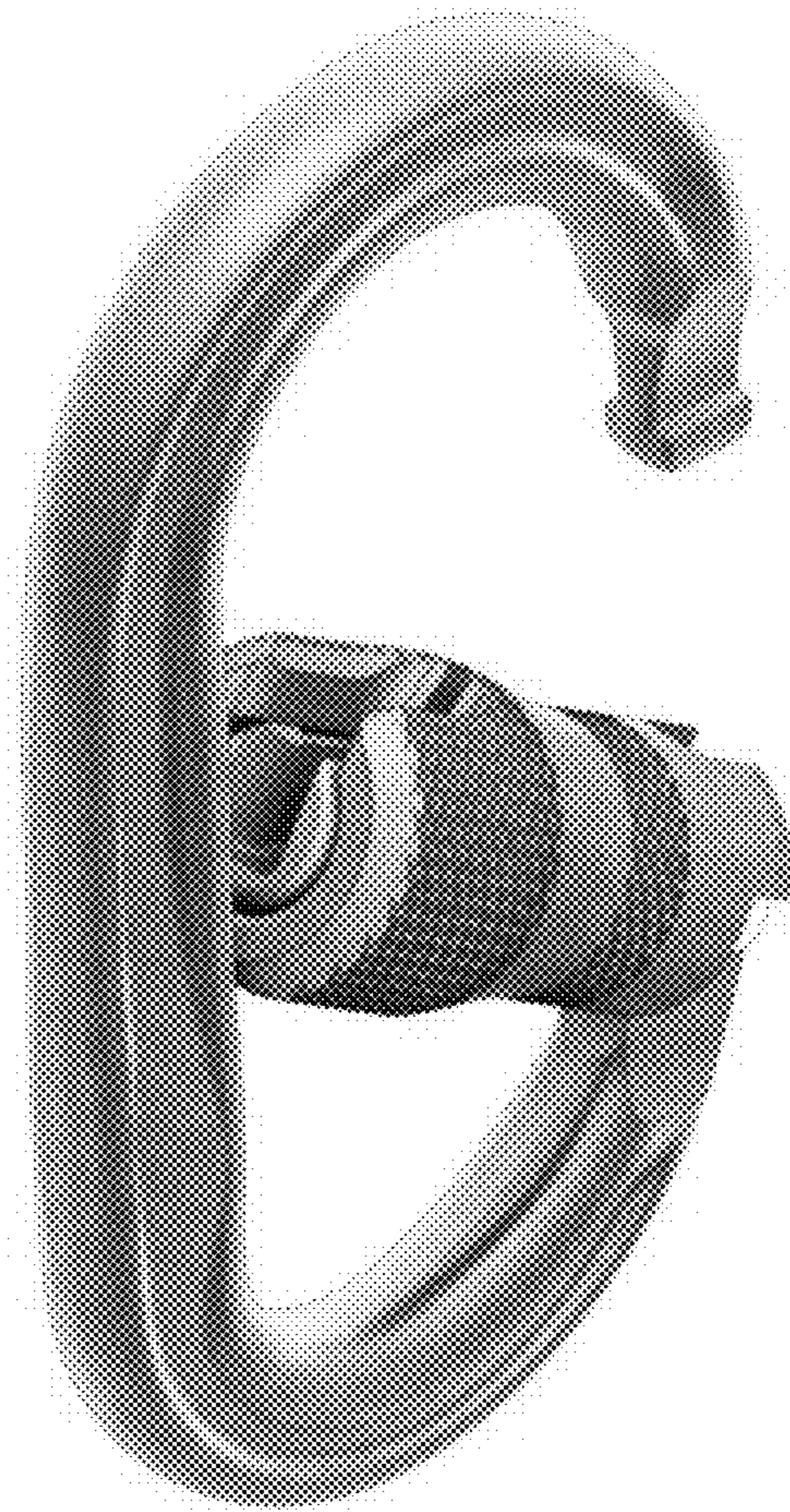


Fig 14

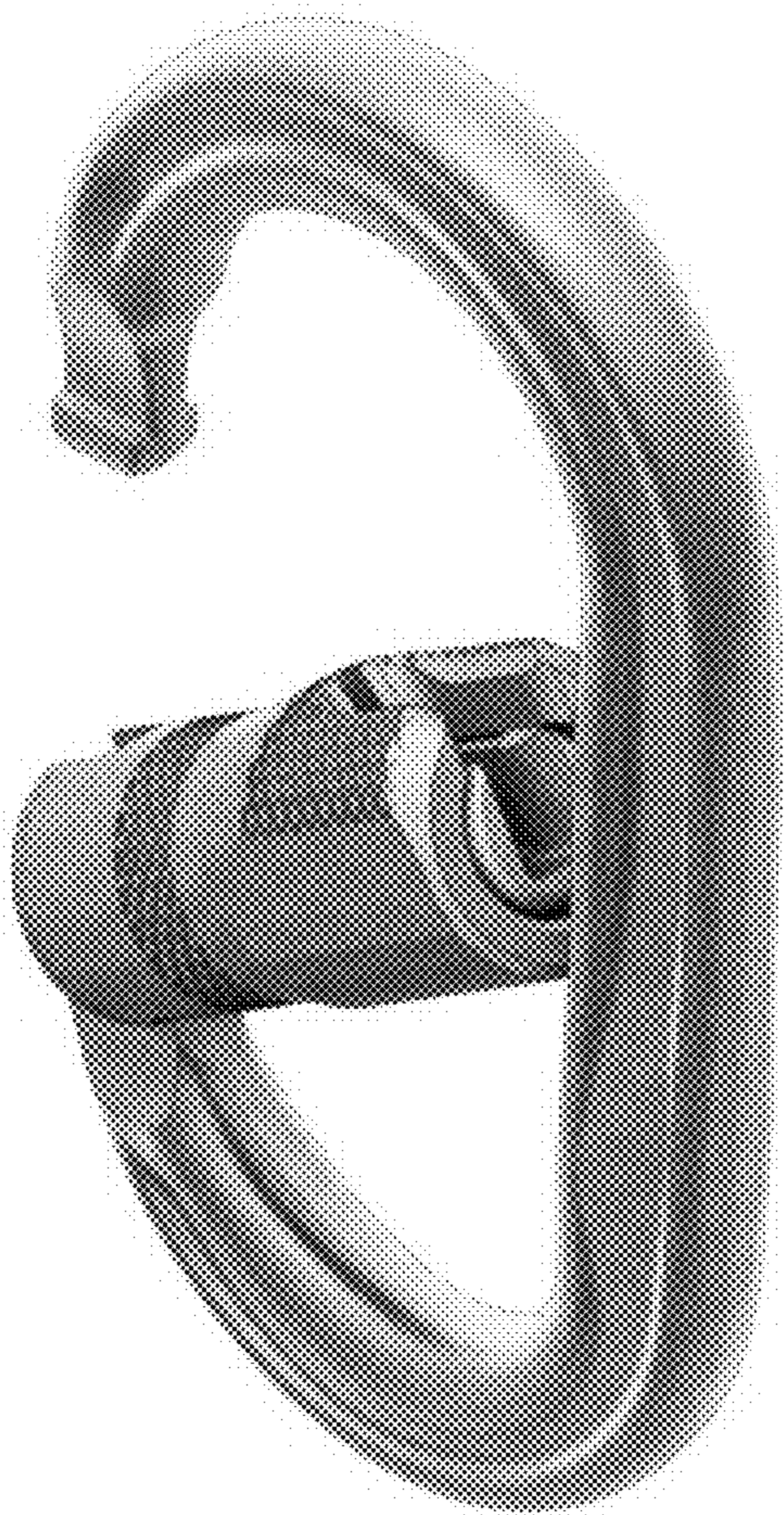


Fig 15

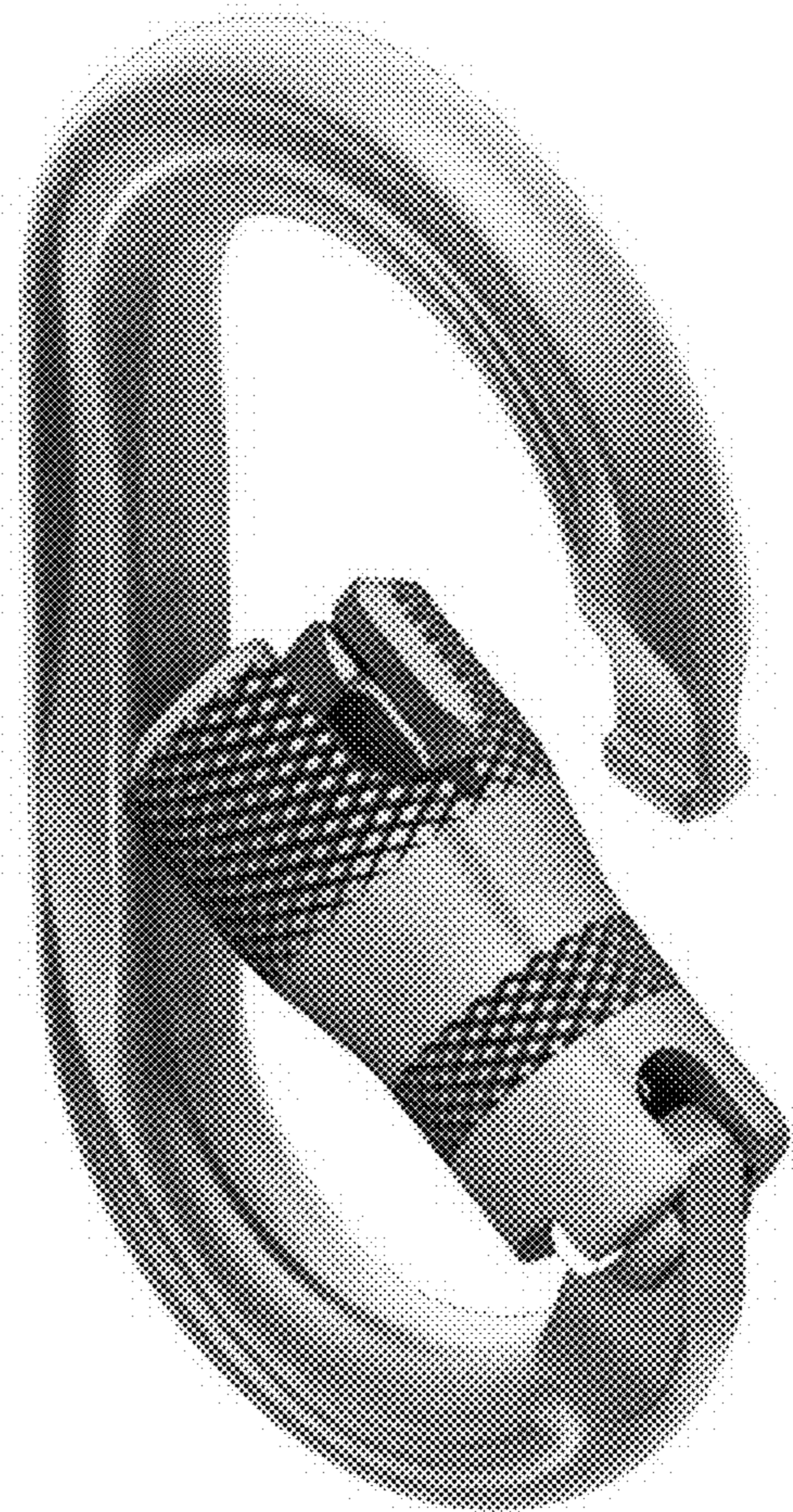


Fig 16