



US00D943396S

(12) **United States Design Patent** (10) **Patent No.:** **US D943,396 S**
Castleberry et al. (45) **Date of Patent:** **** Feb. 15, 2022**

(54) **RETENTION GROMMET**
(71) Applicant: **CORNING RESEARCH & DEVELOPMENT CORPORATION**, Corning, NY (US)
(72) Inventors: **Nathan Grant Castleberry**, Keller, TX (US); **William Julius McPhil Giraud**, Azle, TX (US); **Antwan Joco'ques Works**, Lewisville, TX (US)

D707,106 S * 6/2014 Crouse D8/356
D707,107 S * 6/2014 Crouse D8/356
D731,555 S * 6/2015 Lee D15/5
D735,020 S * 7/2015 Bradford D8/356
D736,833 S * 8/2015 Lee D15/5
D752,339 S * 3/2016 Hoover D3/23
D758,836 S * 6/2016 Symons D8/383
D803,666 S * 11/2017 Morley D8/356
D813,015 S * 3/2018 O'Brien D8/356
D814,273 S * 4/2018 Karpanty D8/356
D831,468 S * 10/2018 Morley D8/356

(Continued)

(73) Assignee: **Corning Research & Development Corporation**, Corning, NY (US)

FOREIGN PATENT DOCUMENTS

(**) Term: **15 Years**

EP 862254 B1 5/2003
EP 1760506 B1 11/2011

(21) Appl. No.: **29/707,704**

Primary Examiner — Cynthia R Underwood
(74) *Attorney, Agent, or Firm* — Grant A. Gildehaus

(22) Filed: **Sep. 30, 2019**

(51) **LOC (13) Cl.** **09-06**

(52) **U.S. Cl.**
USPC **D8/356**

(57) **CLAIM**

The ornamental design for a retention grommet, as shown and described.

(58) **Field of Classification Search**
USPC D8/356, 354, 349, 367, 394, 395, 396;
248/74.1, 74.2, 74.3, 74.4
CPC . B65D 63/16; F16B 2/08; A44B 11/04; A44B
6/00; B60R 22/24; F16G 11/14
See application file for complete search history.

DESCRIPTION

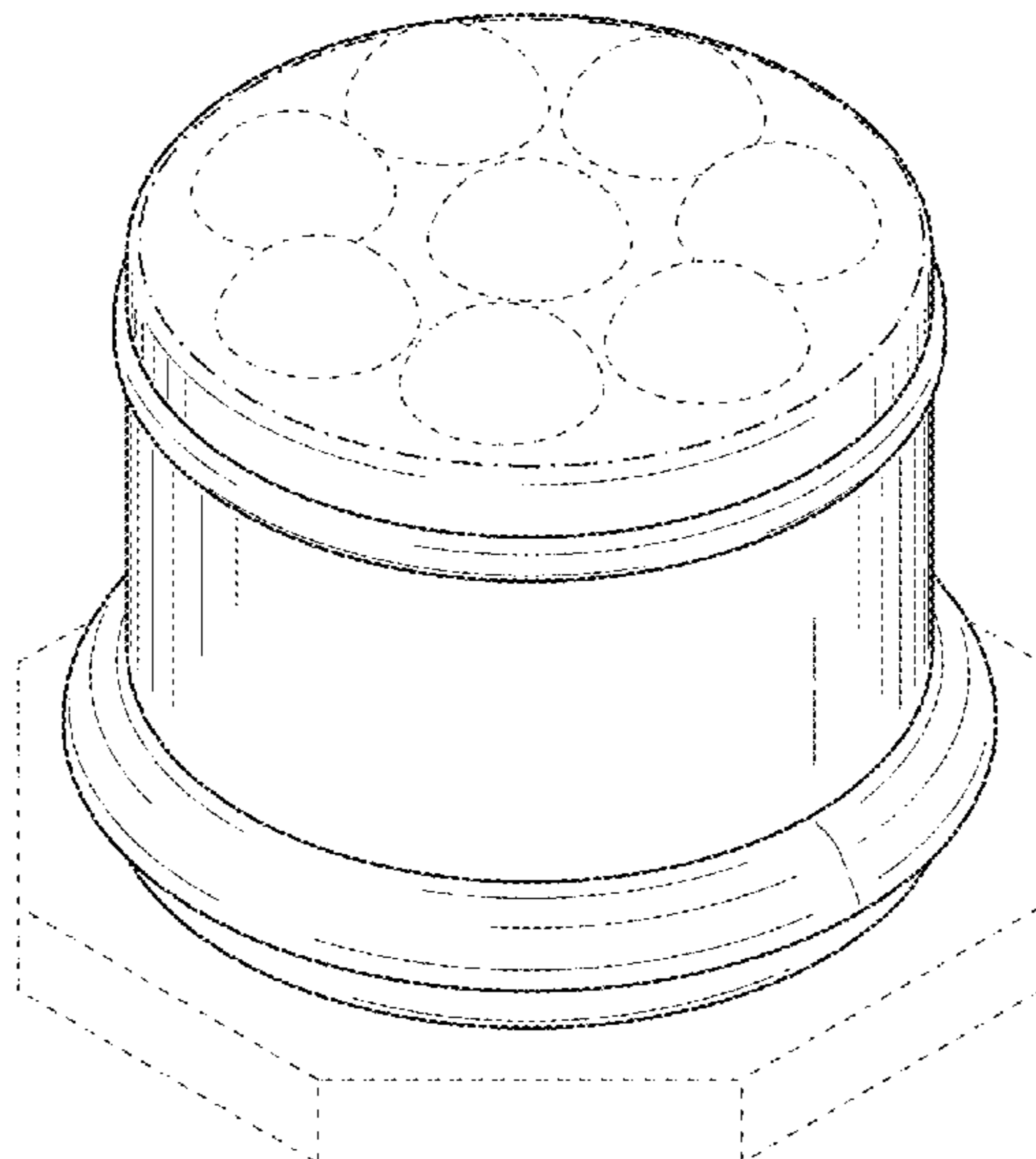
FIG. 1 is a top, front perspective view of a first embodiment of a retention grommet according to the present design; FIG. 2 is a bottom, back perspective view thereof; FIG. 3 is a front view thereof; FIG. 4 is a back view thereof; FIG. 5 is a left-side view thereof; FIG. 6 is a right-side view thereof; FIG. 7 is a top view thereof; and, FIG. 8 is a bottom view thereof. The dashed broken lines depict portions of the retention grommet that form no part of the claimed design. The dot-dashed broken lines represent boundaries of the claimed retention grommet and form no part of the claimed design.

(56) **References Cited**

U.S. PATENT DOCUMENTS

3,066,372 A * 12/1962 Parker A01K 91/04
24/128
D257,321 S * 10/1980 Voorhees, Jr. D8/356
D313,340 S * 1/1991 Stathis D8/356
D428,796 S * 8/2000 van Ochten D8/349
7,121,829 B2 * 10/2006 Day A61C 8/0087
433/163
D569,349 S * 5/2008 Preston D13/156
D631,730 S * 2/2011 Skillman B65H 75/143
D8/356
D682,909 S * 5/2013 Kim 24/115 R

1 Claim, 5 Drawing Sheets



(56)

References Cited

U.S. PATENT DOCUMENTS

D841,443 S * 2/2019 Foster, II D8/360.1
11,012,596 B2 * 5/2021 Berst H04N 5/2252
D932,467 S * 10/2021 Feng D14/223
11,142,115 B2 * 10/2021 Cubon H05B 3/146
11,149,768 B2 * 10/2021 Clark F16B 5/0241

* cited by examiner

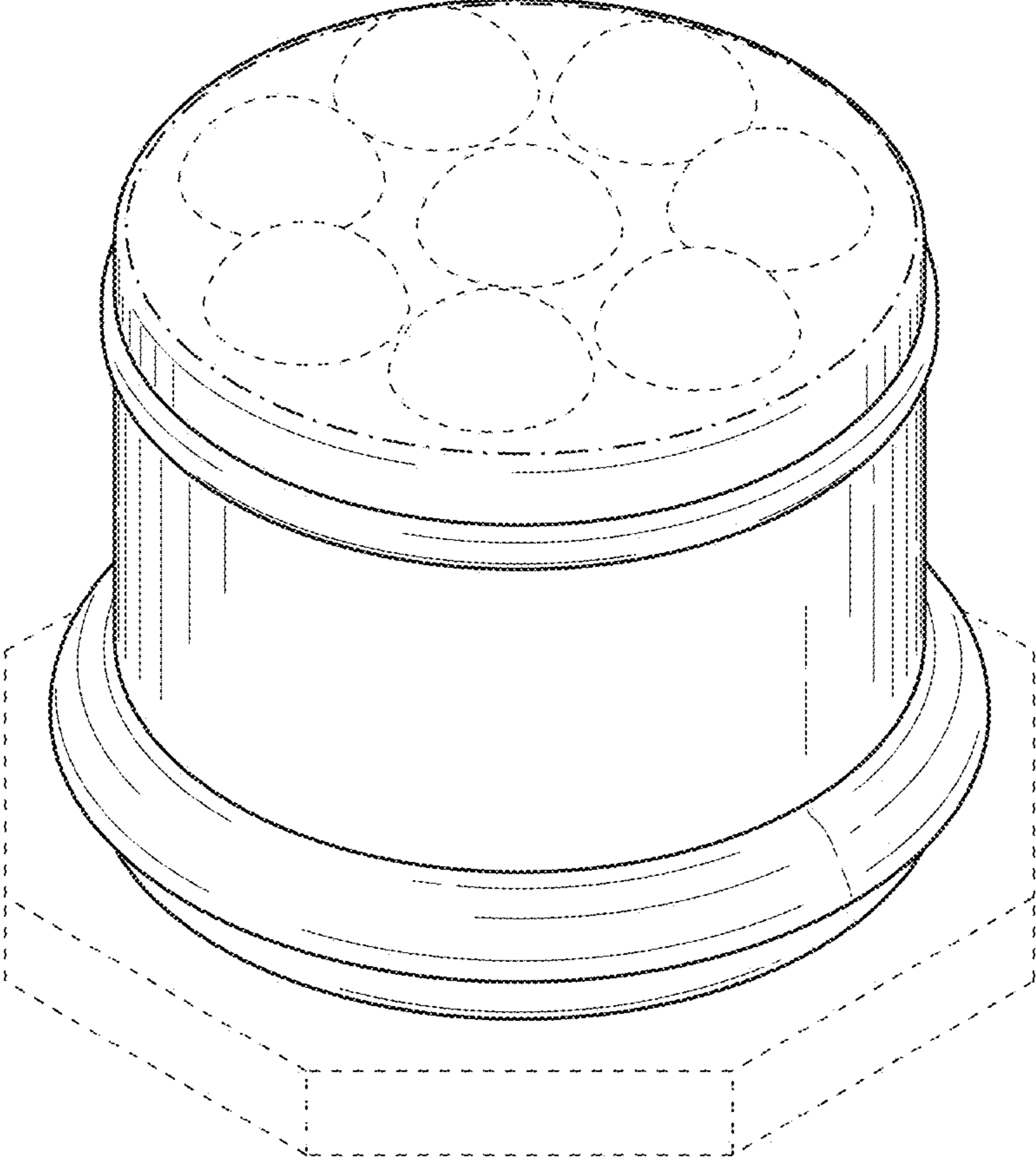


FIG. 1

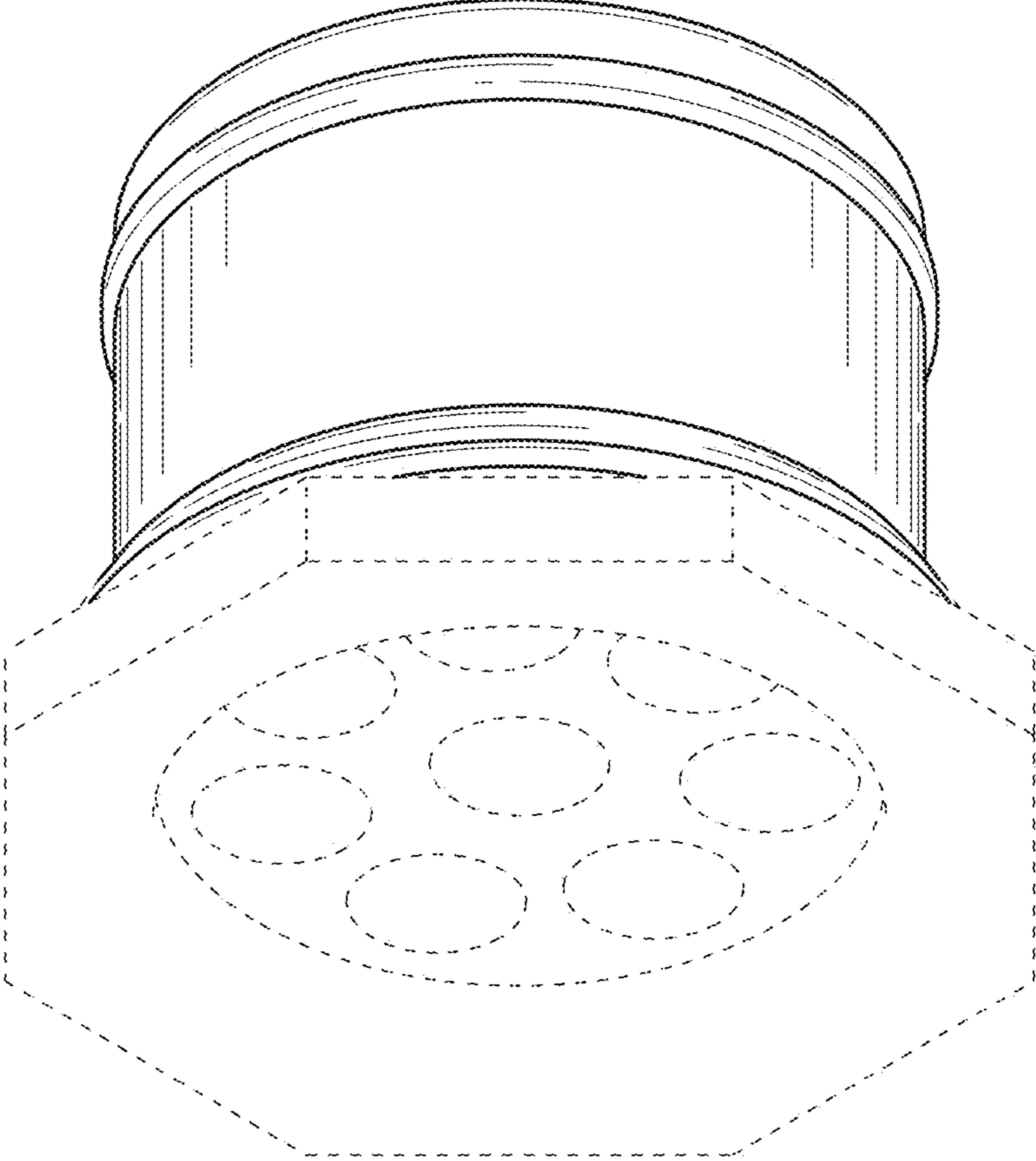


FIG. 2

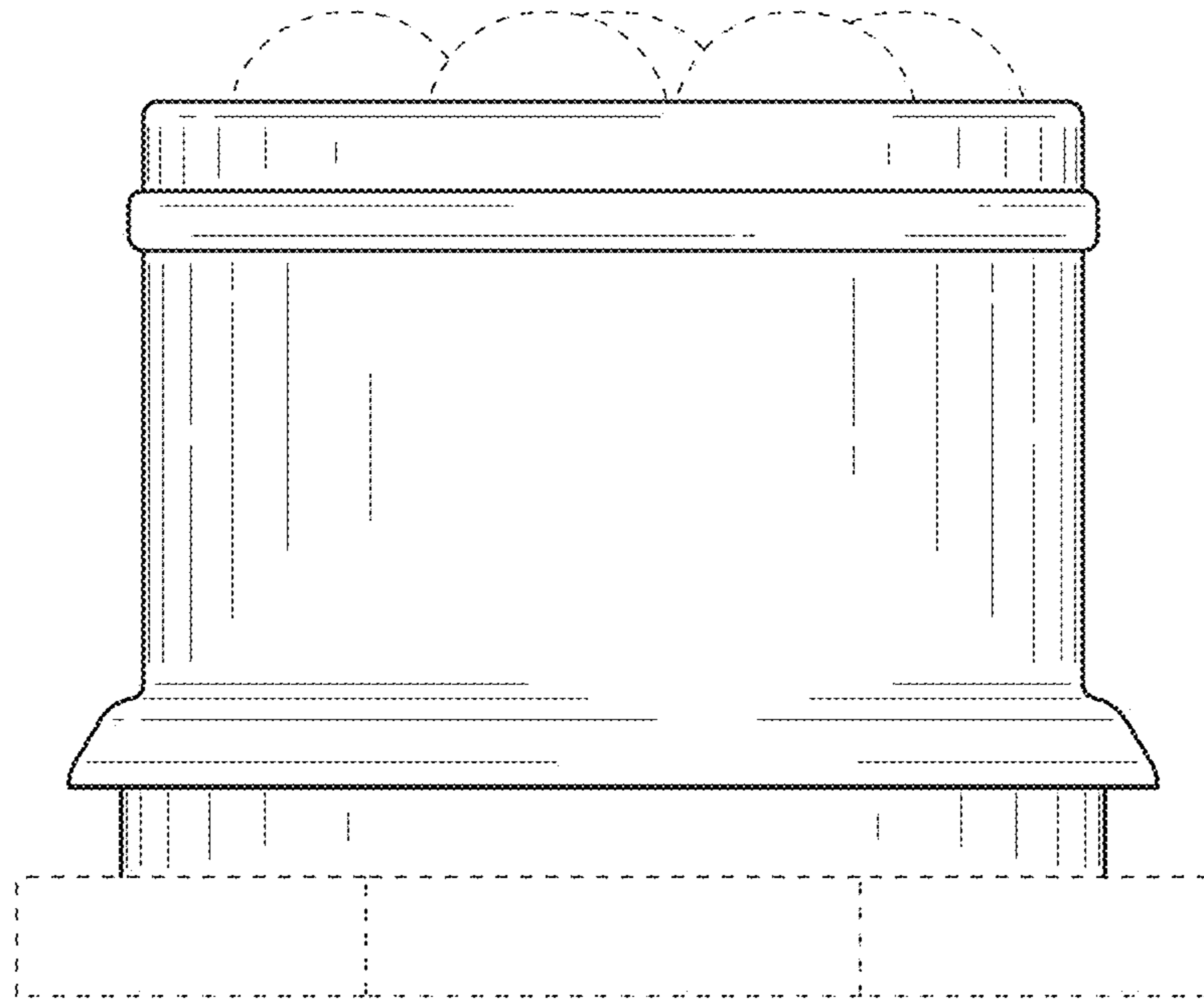


FIG. 3

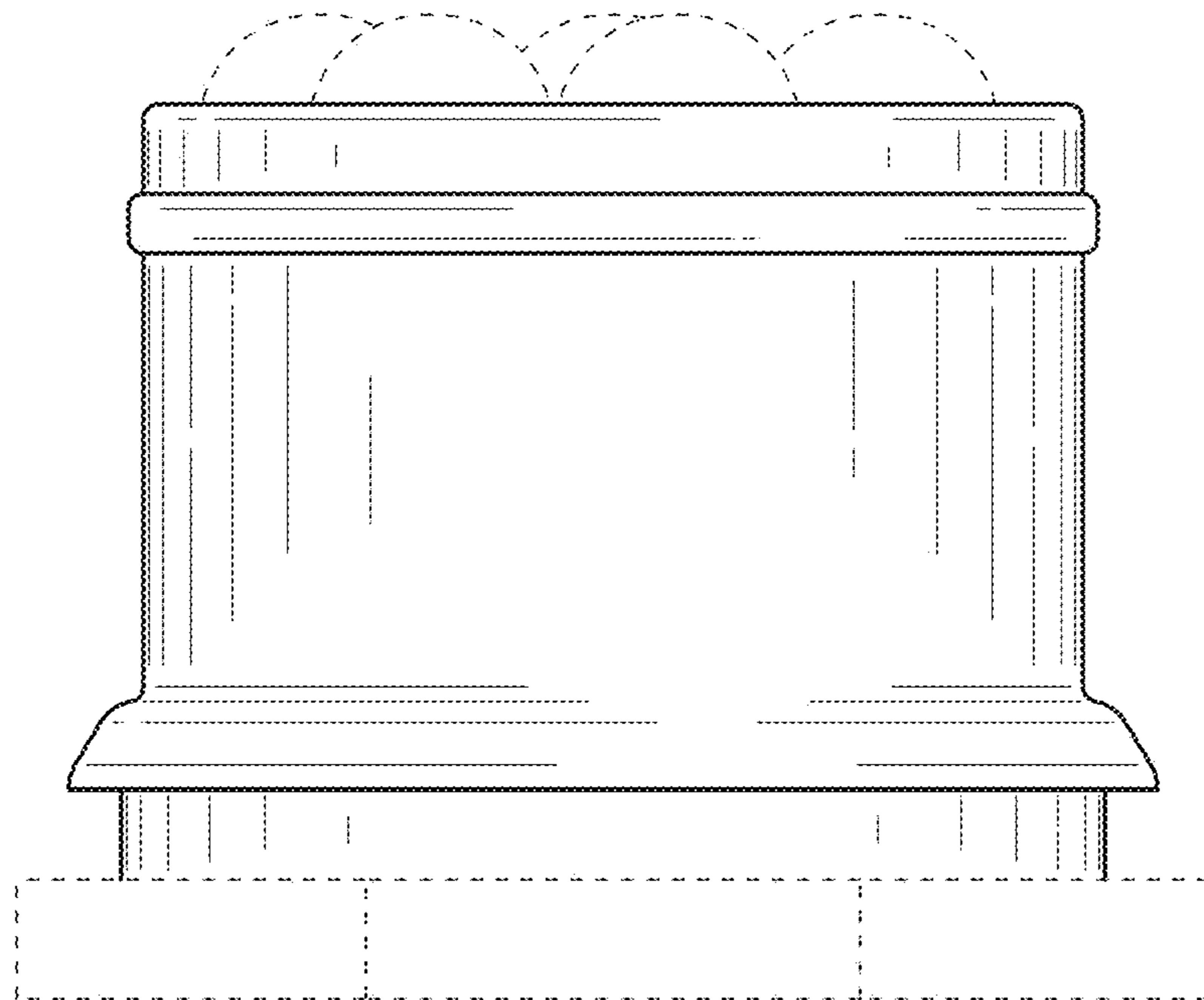


FIG. 4

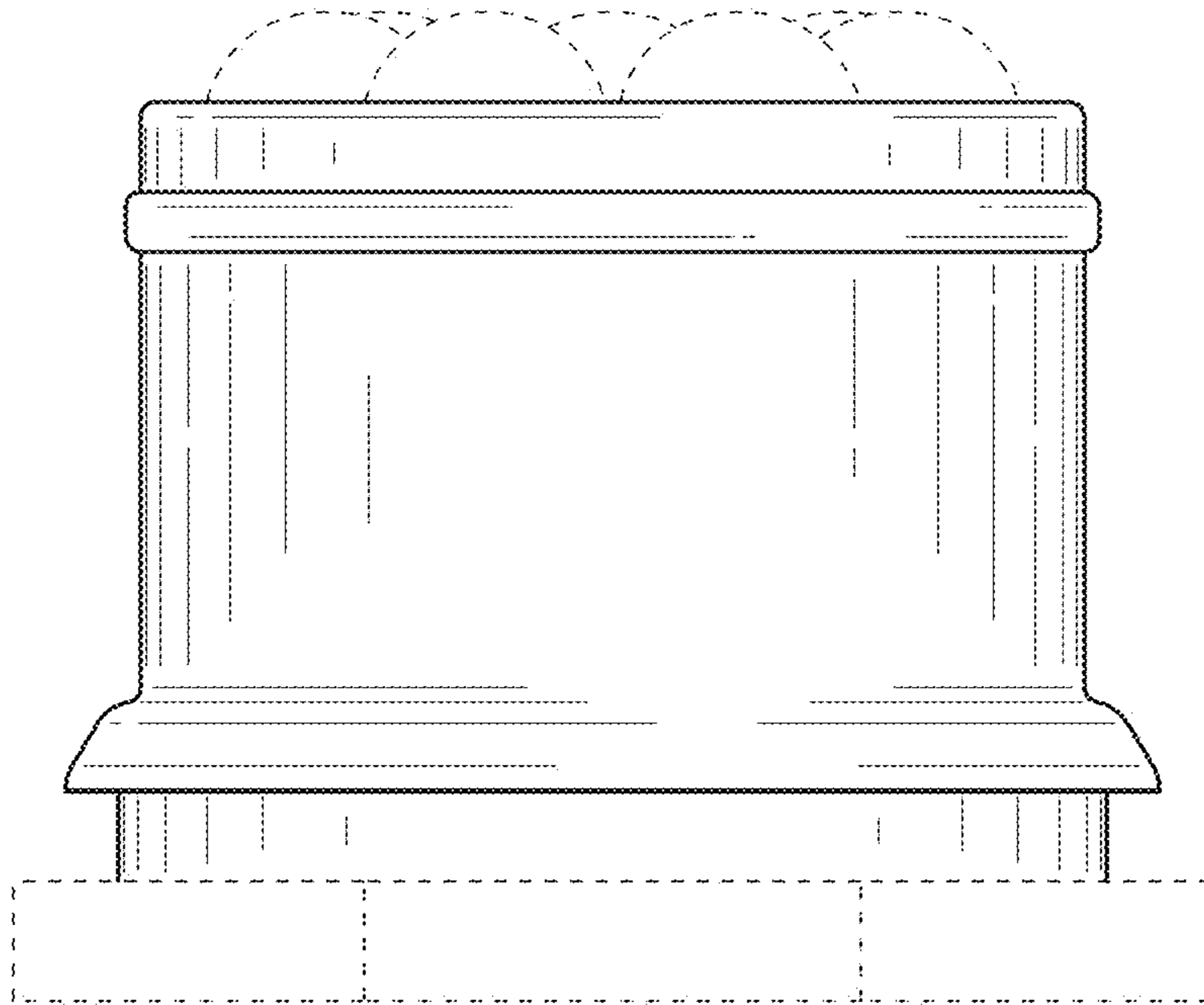


FIG. 5

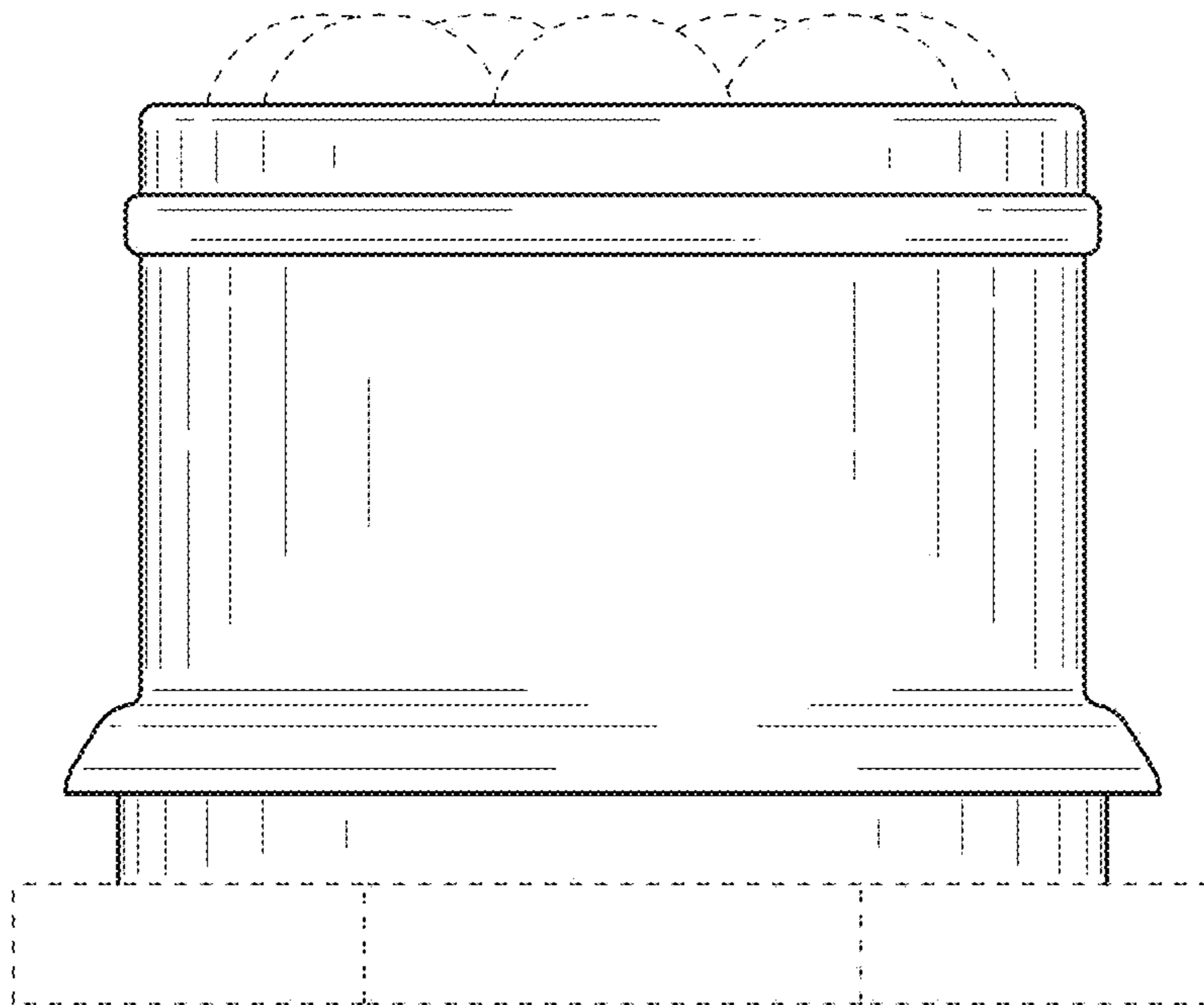


FIG. 6

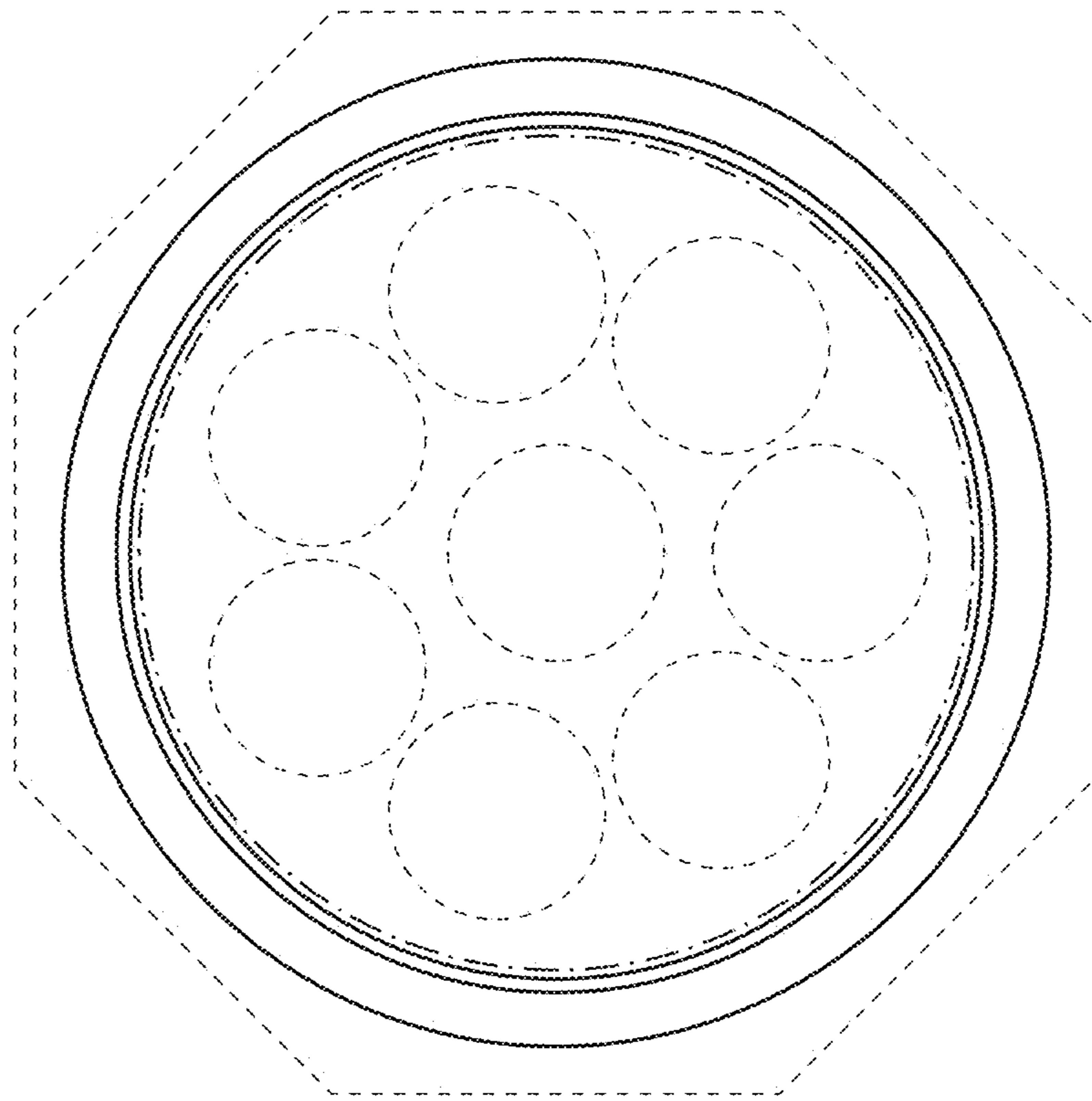


FIG. 7

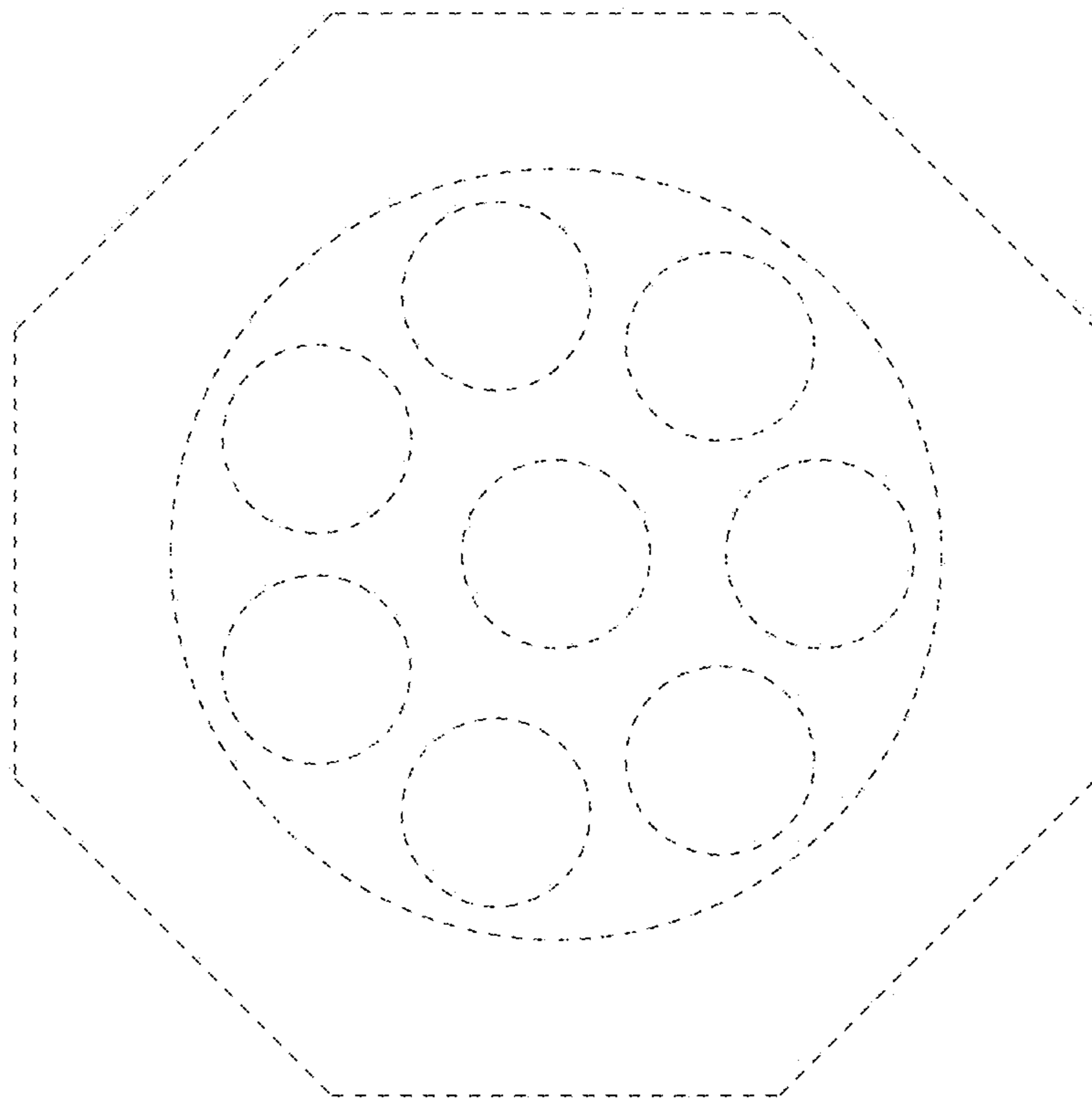


FIG. 8