



US00D943395S

(12) **United States Design Patent**
Thibadeau et al.

(10) **Patent No.:** **US D943,395 S**

(45) **Date of Patent:** **** Feb. 15, 2022**

(54) **HOOK**

D873,559 S * 1/2020 Skaff D3/217
D893,986 S * 8/2020 Adelman D8/367
D896,046 S * 9/2020 Spater D8/356

(71) Applicant: **Thule Sweden AB**, Hillerstorp (SE)

(72) Inventors: **Mark Thibadeau**, Boulder, CO (US);
Jamie Kummerfeld, Greeley, CO (US)

(73) Assignee: **Thule Sweden AB**, Hillerstorp (SE)

(**) Term: **15 Years**

(21) Appl. No.: **29/692,127**

(22) Filed: **May 22, 2019**

OTHER PUBLICATIONS

Amazon, "8 Pcs 1" G Hook Webbing Buckle Backpack Strap Fasten Belt Clip Durable Hardware Gold", First on sale May 15, 2018. (<https://www.amazon.com/Baoblaze-Webbing-Backpack-Durable-Hardware/dp/B07D3HZQ9P>) (Year: 2018).*
My Mac, "Thule 15" Crossover Messenger Bag Review", Published Jul. 3, 2012. (<https://www.mymac.com/2012/07/thule-15-crossover-messenger-bag-review/>) (Year: 2012).*
Mil Spec Monkey, "ITW G-Hook Wave", Cached Jun. 22, 2013. (<https://milspecmonkey.com/store/hardware-diy/138-itw-g-hook-wave.html>) (Year: 2013).*

* cited by examiner

Related U.S. Application Data

(63) Continuation of application No. 29/630,316, filed on Dec. 20, 2017, now Pat. No. Des. 850,790.

(51) **LOC (13) Cl.** **08-05**

(52) **U.S. Cl.**
USPC **D8/356**; D8/367; D3/318

(58) **Field of Classification Search**
USPC D3/217, 273, 276, 285, 283, 289, 293,
D3/301, 303, 901, 902, 318, 319, 323,
D3/324; D8/367, 371, 356
CPC F16G 11/143; A45C 13/10
See application file for complete search history.

Primary Examiner — April Rivas

(74) *Attorney, Agent, or Firm* — Sterne, Kessler,
Goldstein & Fox P.L.L.C.

(57) **CLAIM**

The ornamental design for a hook, as shown.

DESCRIPTION

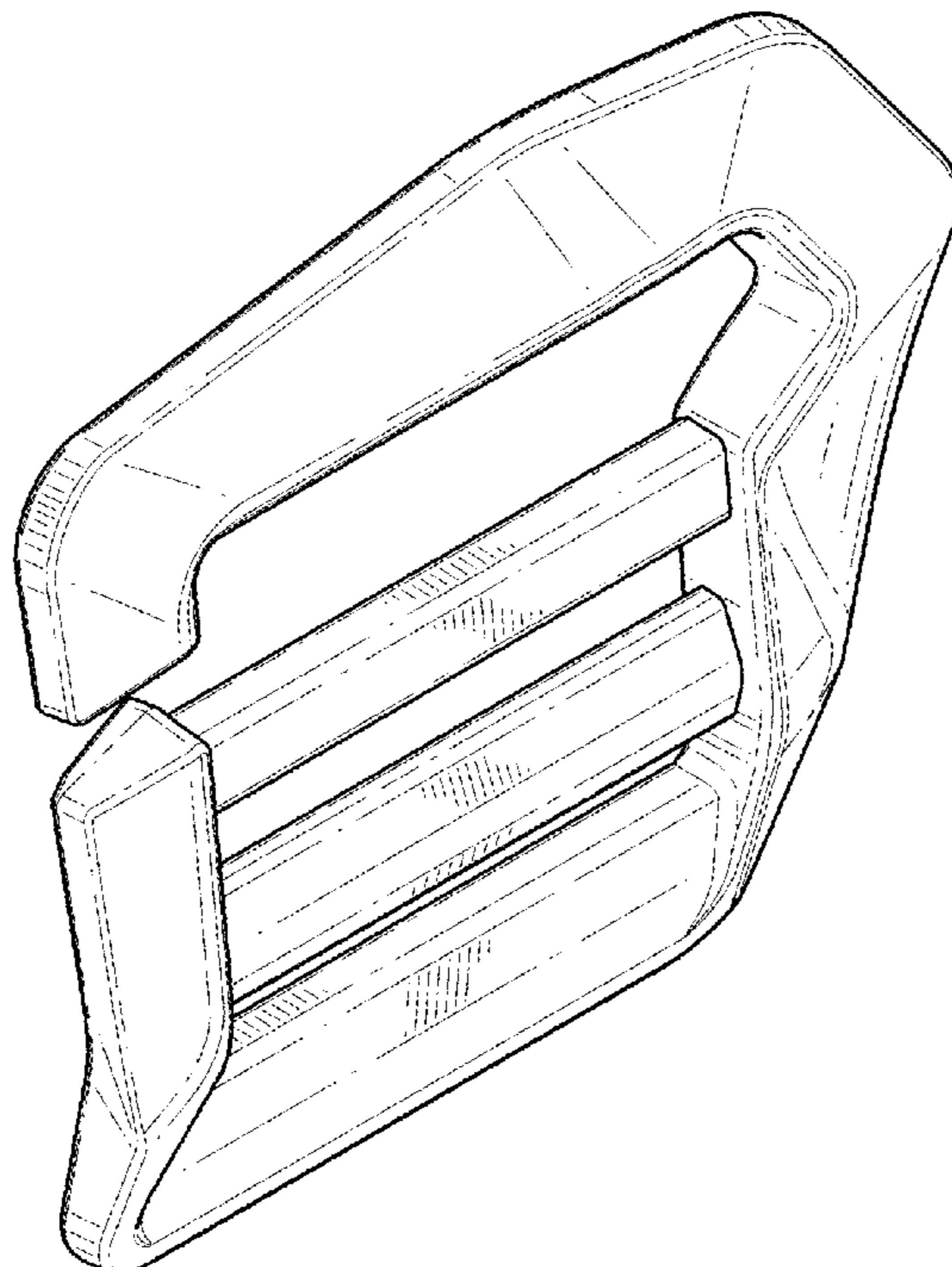
FIG. 1 is a top front perspective view of a hook showing the claimed design;
FIG. 2 is a bottom rear perspective view thereof;
FIG. 3 is a front view thereof;
FIG. 4 is a rear view thereof;
FIG. 5 is a left side view thereof;
FIG. 6 is a right side view thereof;
FIG. 7 is a top view thereof; and,
FIG. 8 is a bottom view thereof.

(56) **References Cited**

U.S. PATENT DOCUMENTS

D623,030 S * 9/2010 Spater D8/16
D792,922 S * 7/2017 Benson D8/356
D818,391 S * 5/2018 Chang D8/356
D847,616 S * 5/2019 Spater D8/367

1 Claim, 8 Drawing Sheets



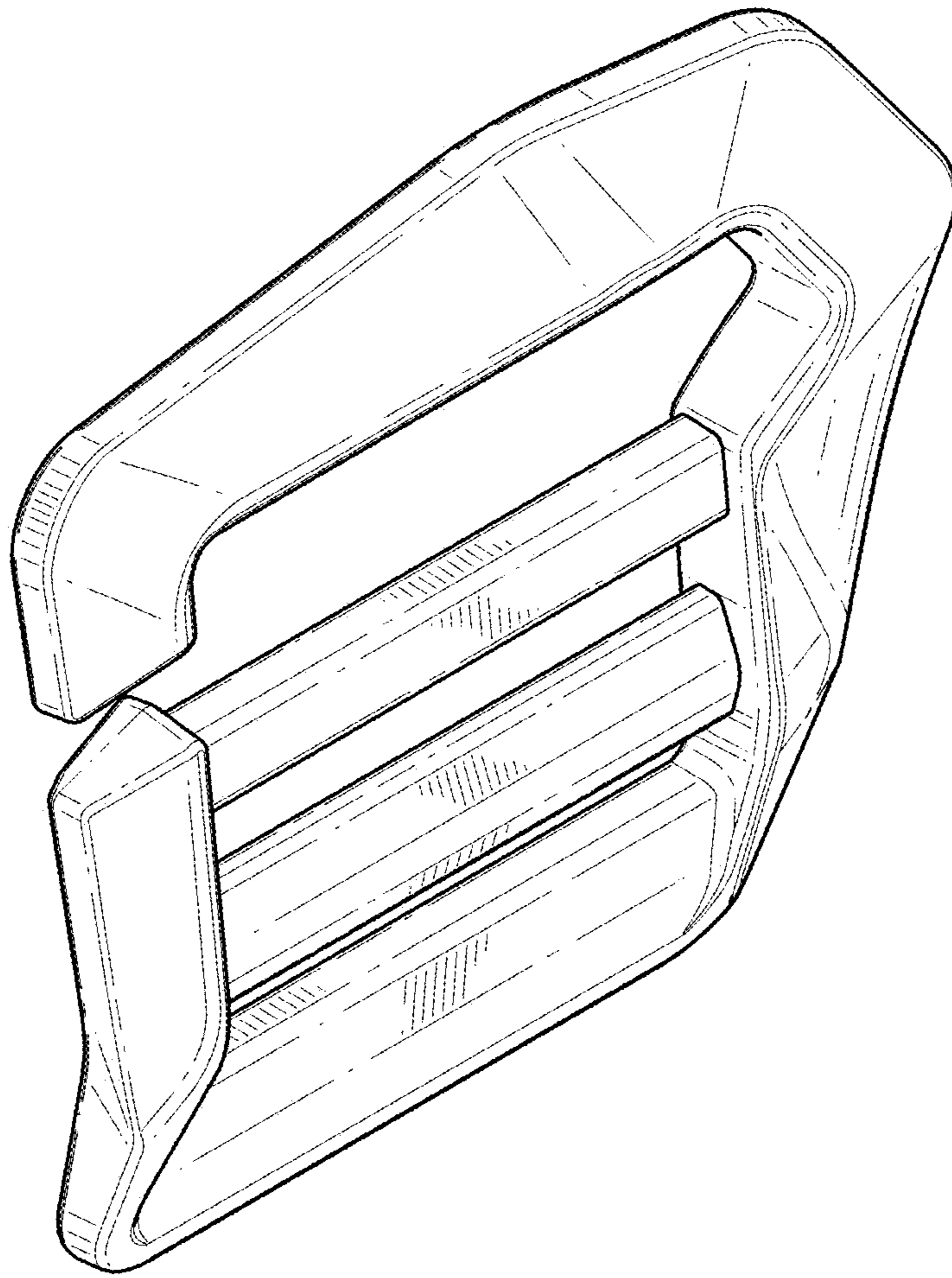


FIG. 1

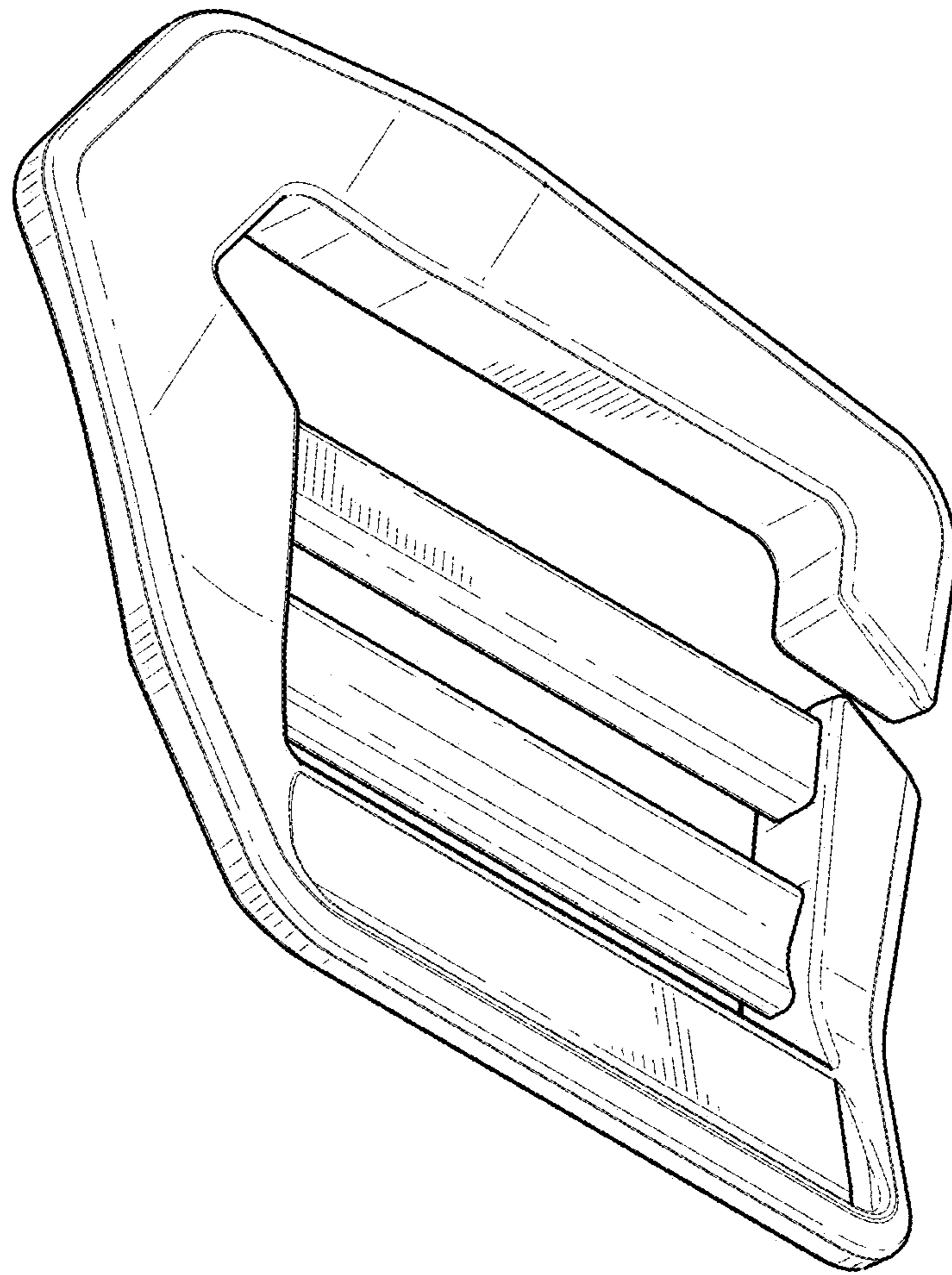


FIG. 2

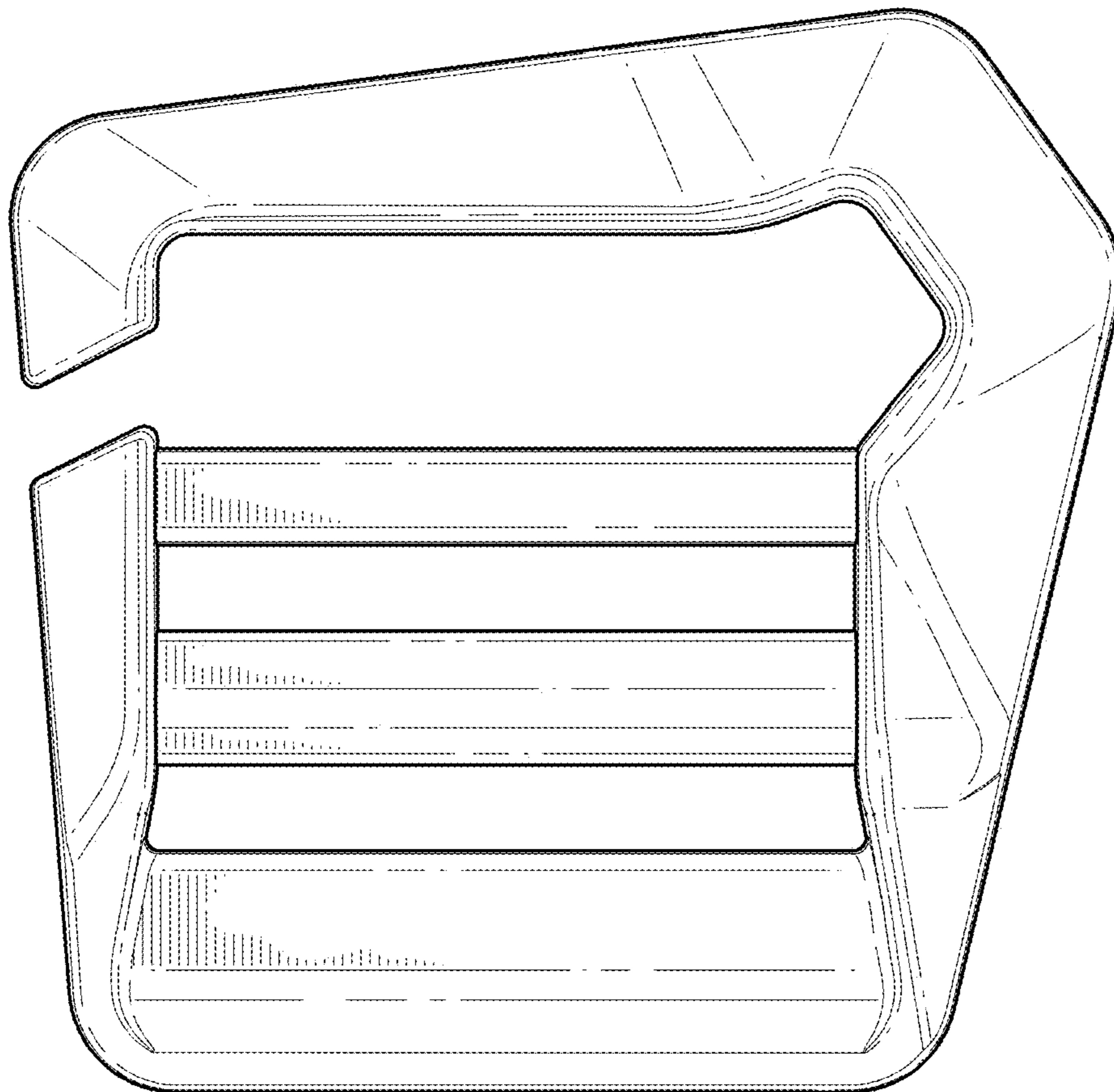


FIG. 3

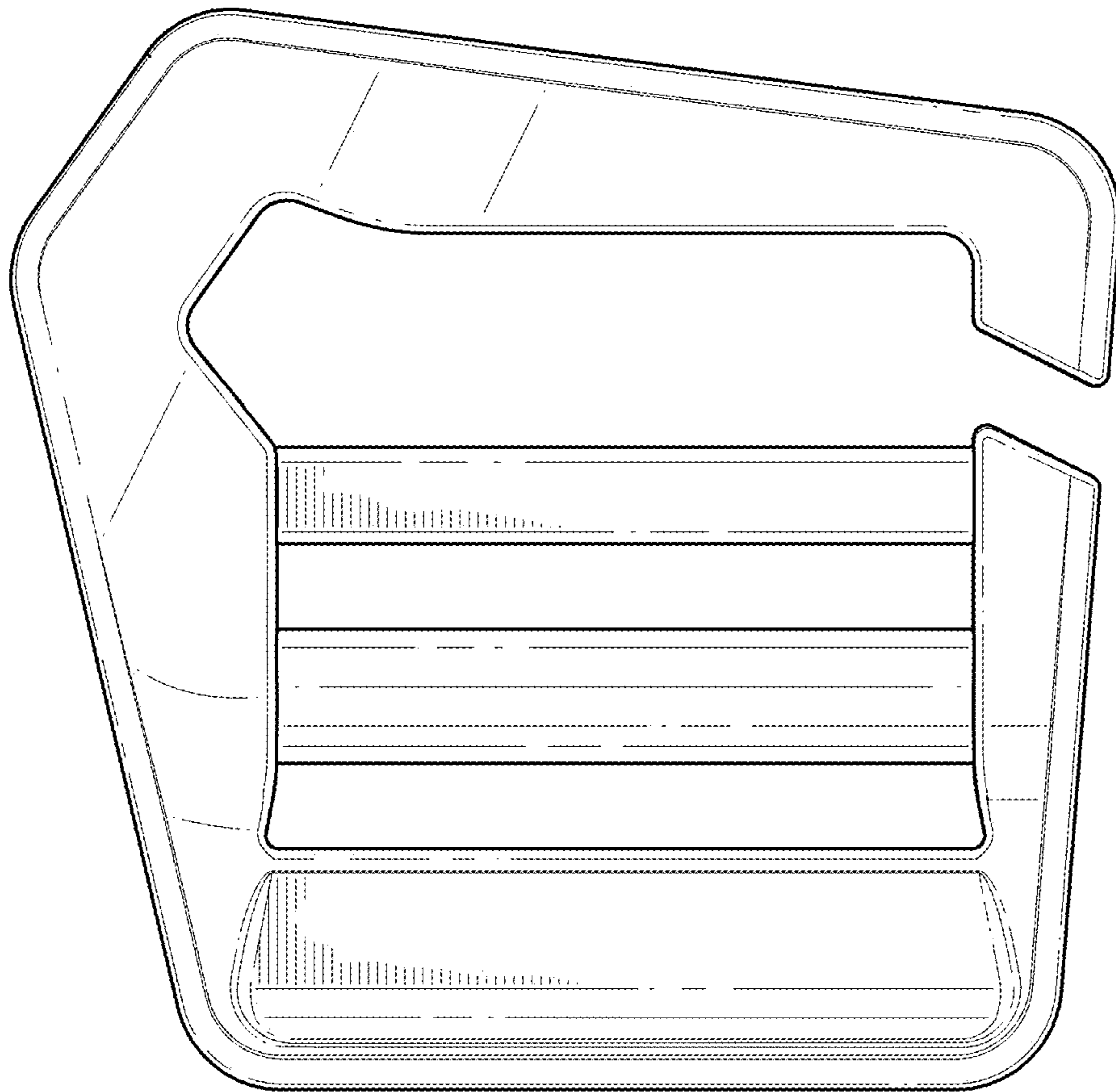


FIG. 4

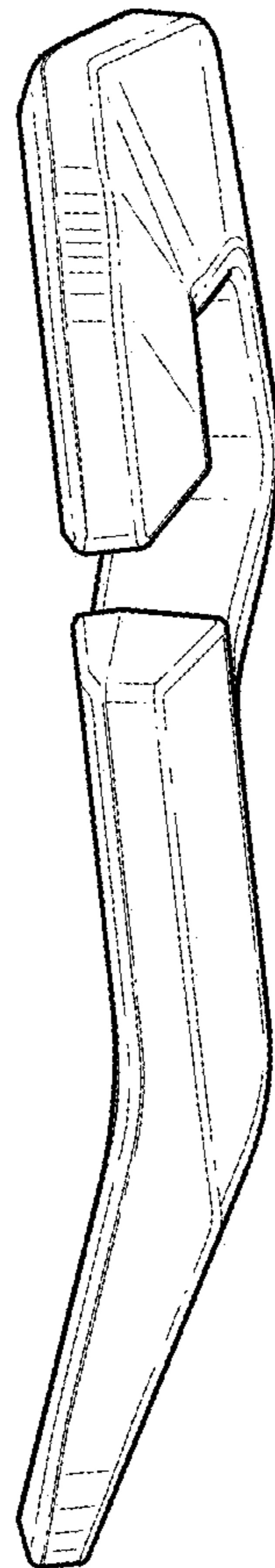


FIG. 5

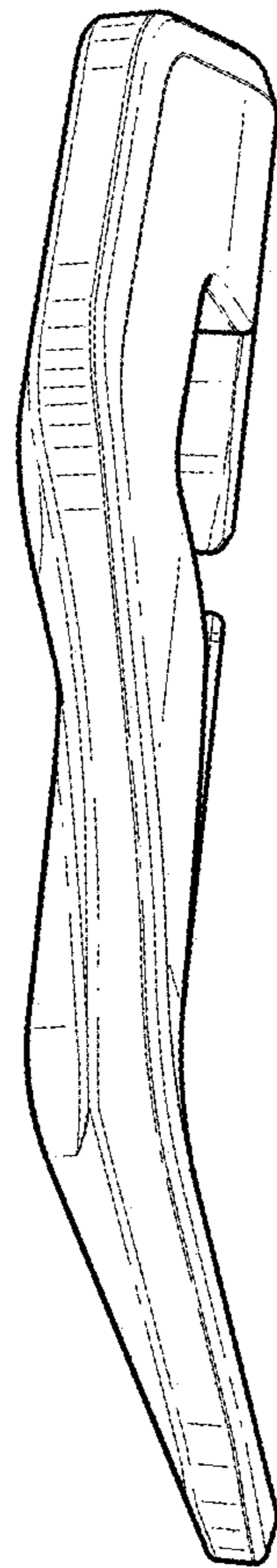


FIG. 6

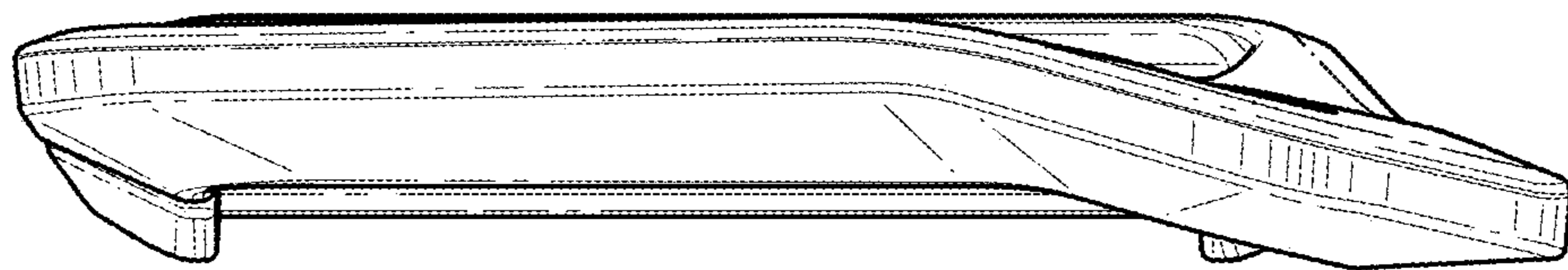


FIG. 7

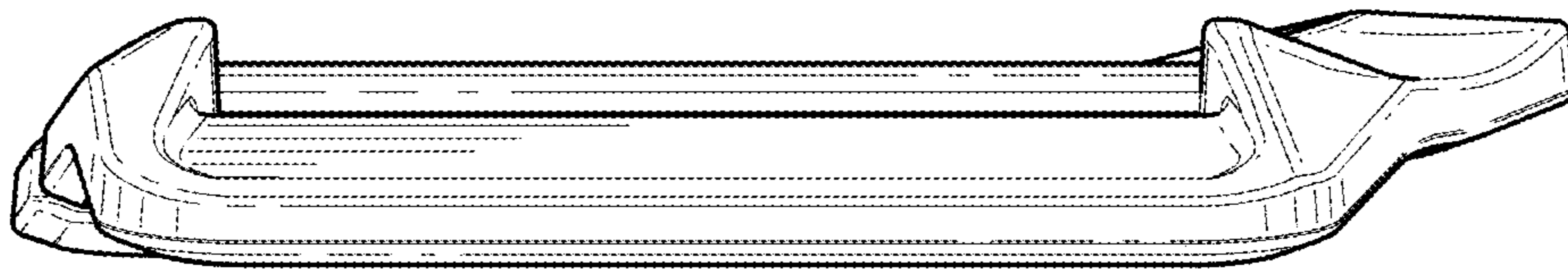


FIG. 8