



US00D943394S

(12) **United States Design Patent**
Sweitzer

(10) **Patent No.:** **US D943,394 S**

(45) **Date of Patent:** **** Feb. 15, 2022**

- (54) **TOOL CHUCK**
- (71) Applicant: **Shukla Medical**, St. Petersburg, FL
(US)
- (72) Inventor: **Zachary Robert Sweitzer**, Keyport, NJ
(US)
- (73) Assignee: **Shukla Medical**, St. Petersburg, FL
(US)

2,880,009 A *	3/1959	Gamet	B23B 31/1622 279/119
7,677,844 B2 *	3/2010	Schell	B23B 45/008 408/9
D793,831 S *	8/2017	Russell	D8/70
D793,832 S *	8/2017	Russell	D8/70
D793,833 S *	8/2017	Russell	D8/70
D837,011 S *	1/2019	Sakamaki	D8/70
D837,012 S *	1/2019	Sakamaki	D8/70
D912,811 S *	3/2021	Gosik-Wolfe	D24/133
2021/0290253 A1 *	9/2021	Sweitzer	A61B 17/1633

(**) Term: **15 Years**

(21) Appl. No.: **29/739,004**

(22) Filed: **Jun. 22, 2020**

(51) **LOC (13) Cl.** **08-05**

(52) **U.S. Cl.**
USPC **D8/354; D8/70**

(58) **Field of Classification Search**
USPC D8/14, 21, 29, 51, 105, 354-355, 349,
D8/380, 382-383, 394, 71, 70; D25/119,
D25/123, 124, 125; D13/155, 118, 154,
D13/184, 199
CPC .. H01L 27/1423; H01L 31/048; H01L 31/045
See application file for complete search history.

(56) **References Cited**

U.S. PATENT DOCUMENTS

1,839,252 A *	1/1932	O'Flaherty	B23B 31/008 279/65
2,193,615 A *	3/1940	Ashley	B23B 31/20 279/49

* cited by examiner

Primary Examiner — Keli L Hill

Assistant Examiner — Harold E Blackwell, II

(74) *Attorney, Agent, or Firm* — Kim IP Law Group LLC

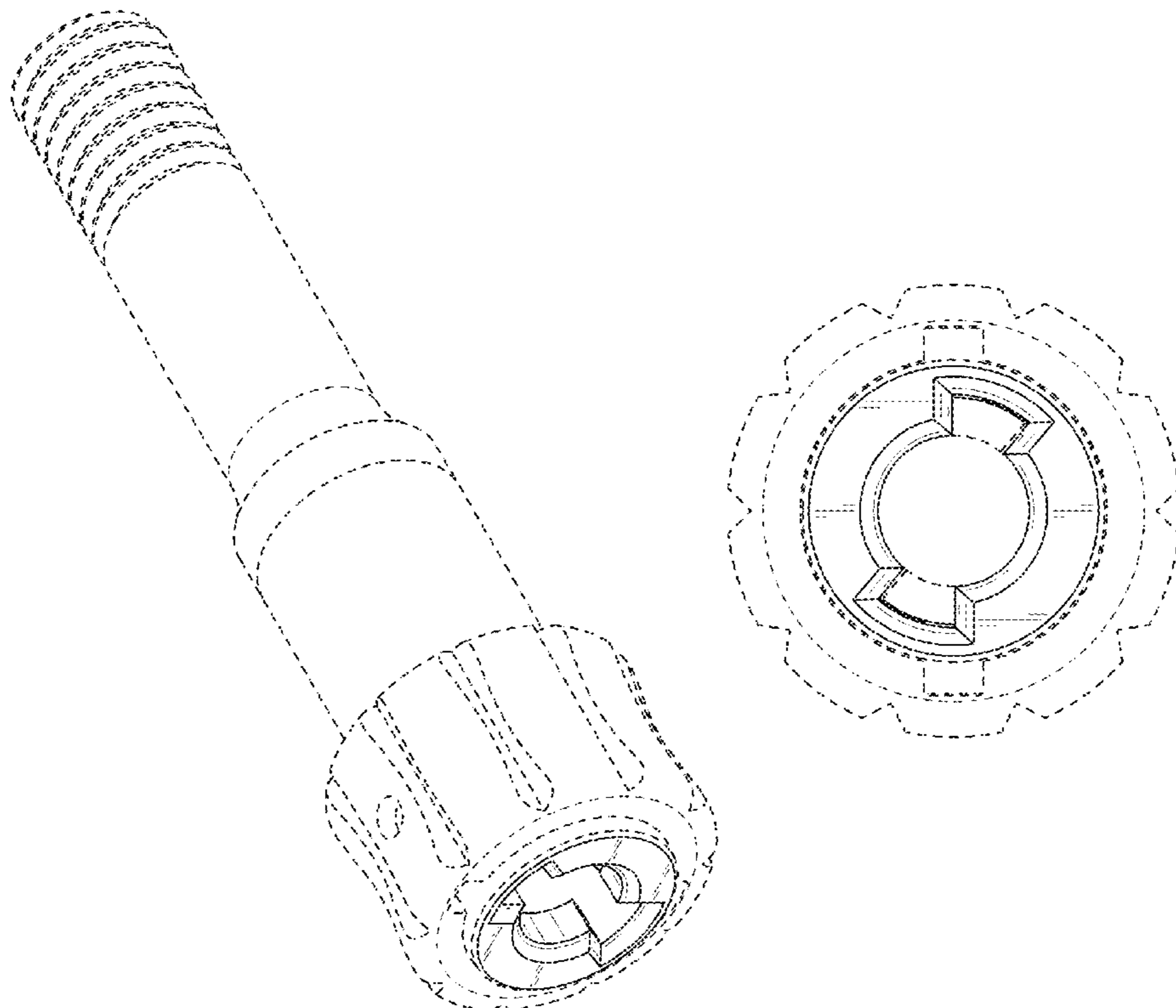
(57) **CLAIM**

The ornamental design for a tool chuck, as shown and described.

DESCRIPTION

FIG. 1 is a perspective view of a tool chuck in accordance with the new design;
 FIG. 2 is a front view of the tool chuck of FIG. 1, the rear view being a mirror image;
 FIG. 3 is a right side view of the tool chuck of FIG. 1, the left side being a mirror image;
 FIG. 4 is a top view of the tool chuck of FIG. 1; and
 FIG. 5 is a bottom view of the tool chuck of FIG. 1.
 In the drawings, the broken lines illustrate portions of the tool chuck that form no part of the claimed design.

1 Claim, 5 Drawing Sheets



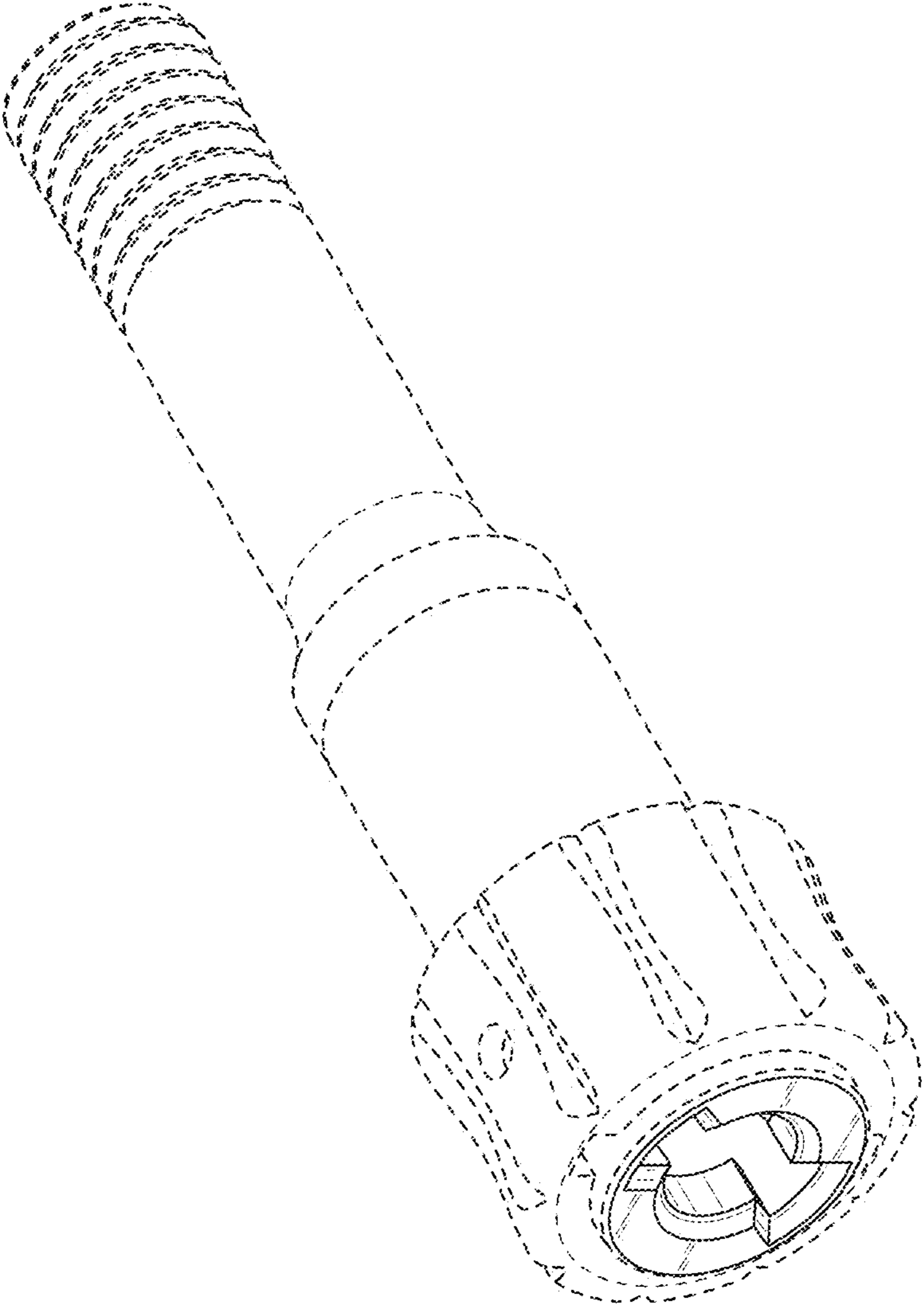


FIG. 1

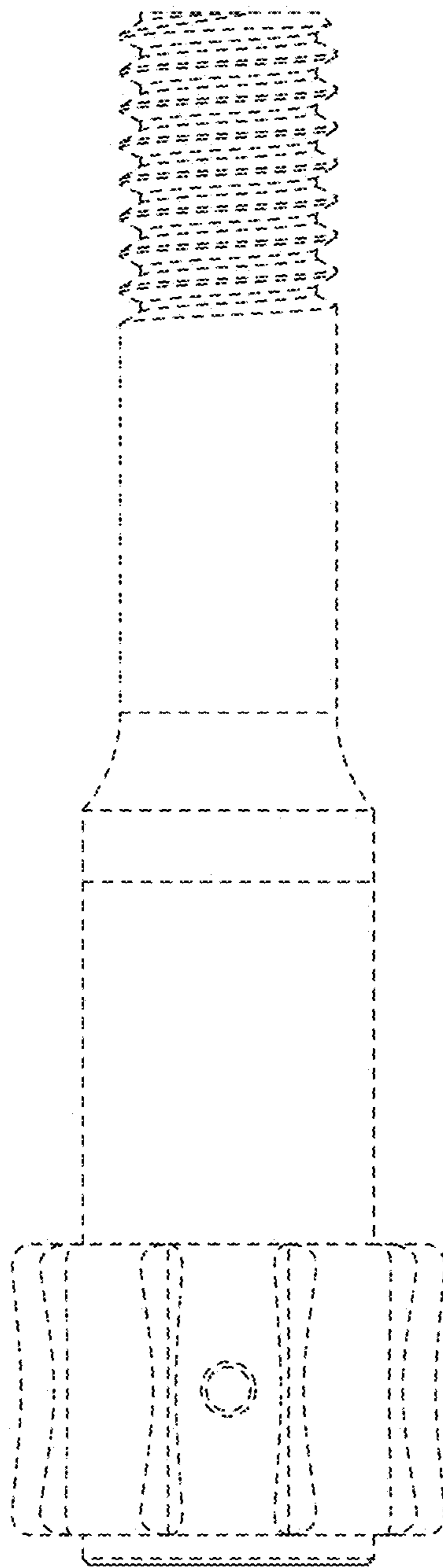


FIG. 2

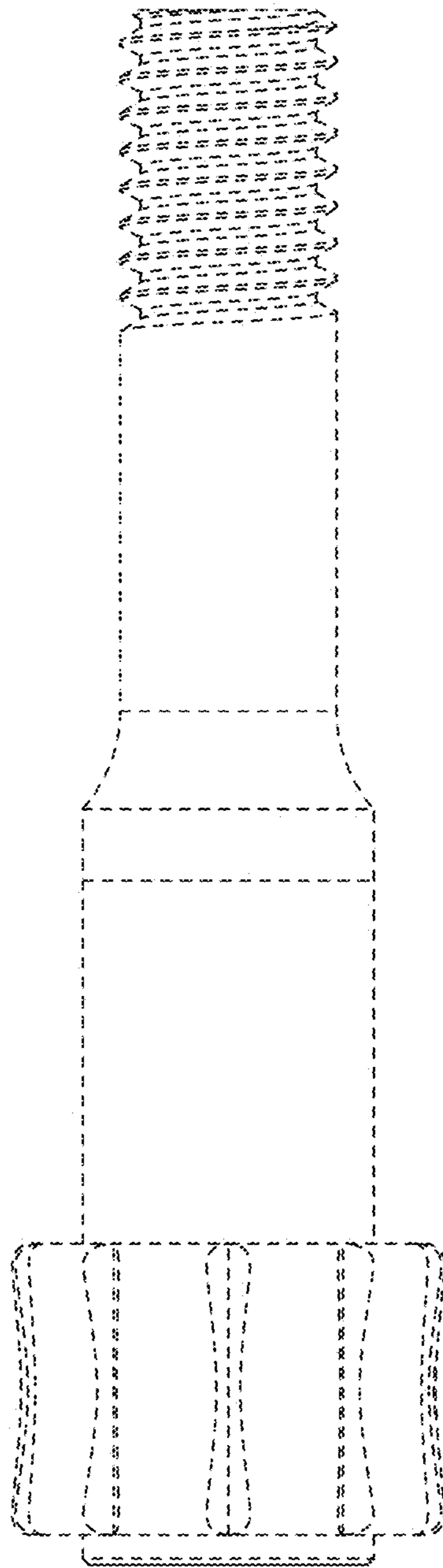


FIG. 3

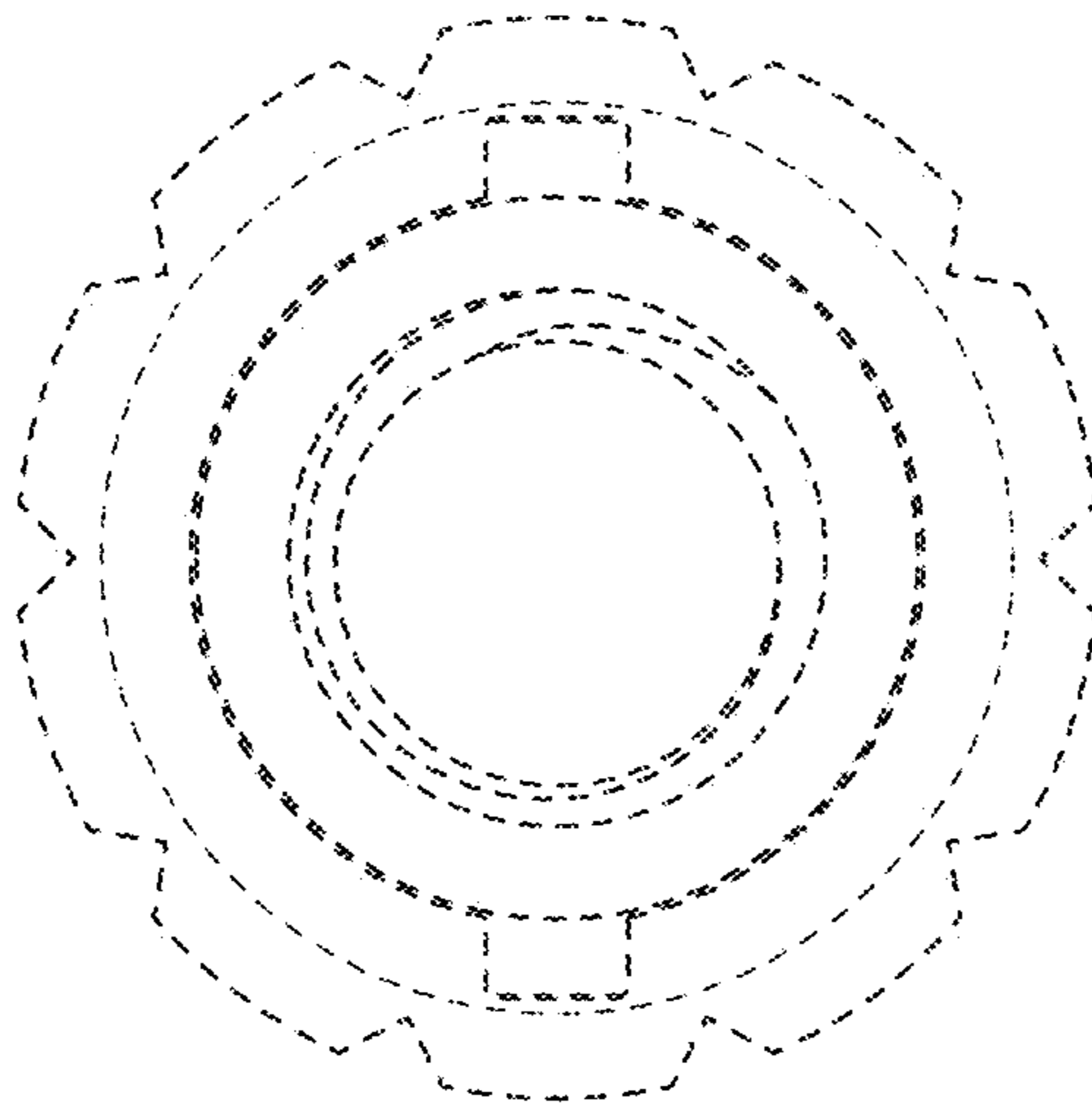


FIG. 4

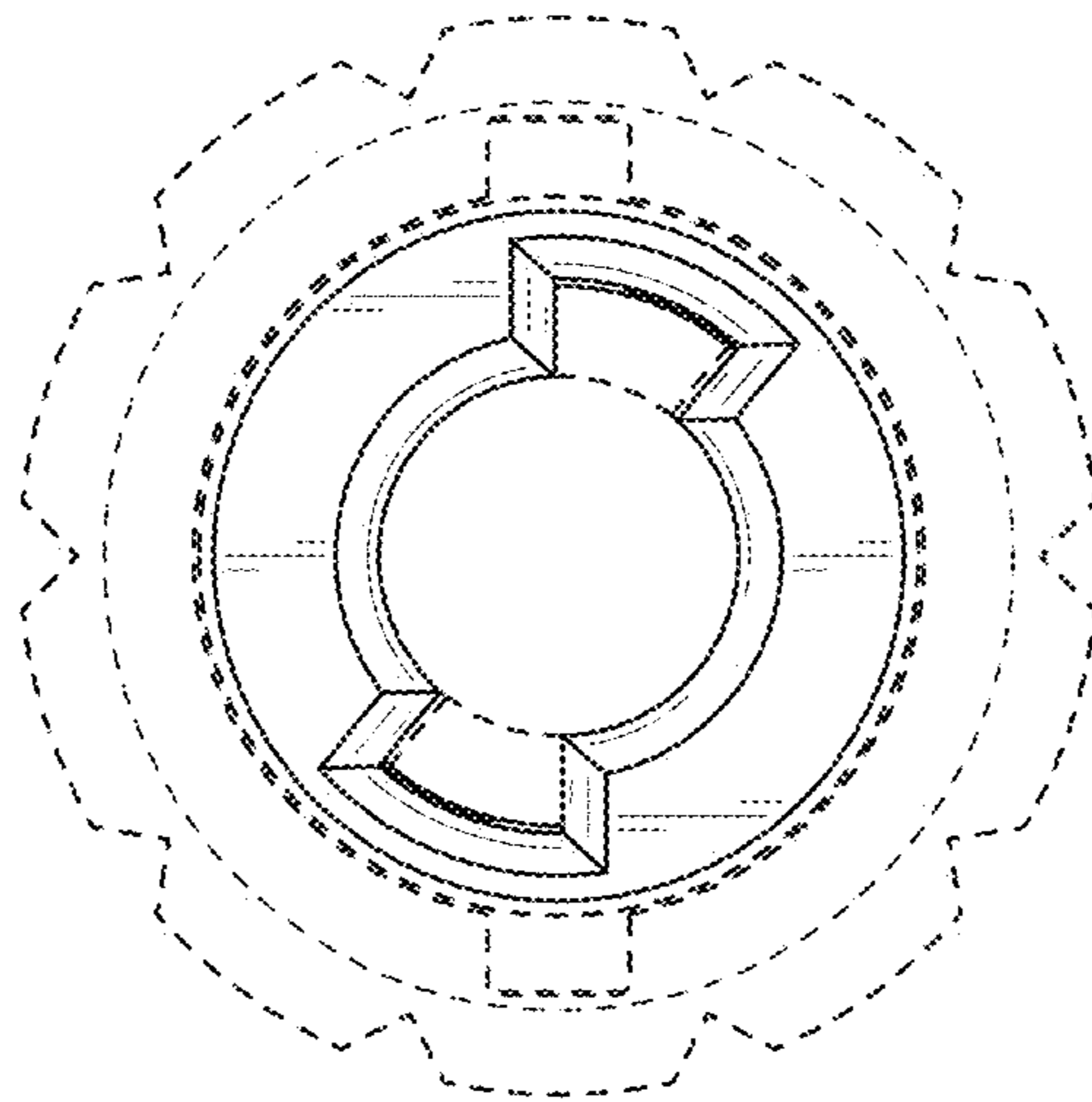


FIG. 5