



US00D943393S

(12) **United States Design Patent** (10) **Patent No.:** **US D943,393 S**  
**McVey et al.** (45) **Date of Patent:** **\*\* Feb. 15, 2022**

- (54) **MOUNTABLE PLATE**
- (71) Applicant: **Weber-Stephen Products LLC**,  
Palatine, IL (US)
- (72) Inventors: **Cassandra A. S. McVey**, Wheeling, IL  
(US); **Aman Sharma**, Round Lake, IL  
(US); **Romualdo Sonny Siazon**,  
Woodstock, IL (US)
- (73) Assignee: **WEBER-STEPHEN PRODUCTS  
LLC**, Palatine, IL (US)
- (\*\*) Term: **15 Years**
- (21) Appl. No.: **29/733,243**
- (22) Filed: **Apr. 30, 2020**
- (51) **LOC (13) Cl.** ..... **08-05**
- (52) **U.S. Cl.**  
USPC ..... **D8/354**
- (58) **Field of Classification Search**  
USPC ..... D3/218, 215, 224, 226; D8/349, 350,  
D8/353, 354, 355; D7/387, 213  
CPC ..... A63B 27/00; F16M 13/022  
See application file for complete search history.

(56) **References Cited**

**U.S. PATENT DOCUMENTS**

2,529,285	A	11/1950	Felton	
3,187,923	A	6/1965	Christensen	
3,260,486	A	7/1966	Groff	
D255,668	S *	7/1980	Sidders	D11/4
4,331,123	A	5/1982	Alles et al.	
4,337,751	A	7/1982	Sampson et al.	
4,665,888	A	5/1987	Christen, Jr. et al.	
5,221,006	A	6/1993	Plumlee et al.	
5,560,576	A	10/1996	Cargill	
5,615,504	A *	4/1997	Peterson	G09F 3/005 24/16 PB
6,350,089	B1	2/2002	Tekavec	
D469,249	S *	1/2003	Cain	D3/215

6,808,147	B2	10/2004	Brannen et al.	
D541,044	S *	4/2007	Wagner, II	D3/226
7,252,274	B1	8/2007	Brannen	
7,431,251	B2	10/2008	Carnevali	
D607,198	S *	1/2010	Andre	D3/218
D620,706	S *	8/2010	Wagner, II	D3/226

(Continued)

**OTHER PUBLICATIONS**

www.weber.com, <https://www.weber.com/US/en/accessories/accessories-by-category/smart-gadgets/weber-connect-6-piece-mounting-kit/3254.html> (Year: 2021).\*

IP Australia, "Formalities notice No. 1—requirements for registration not met," issued in connection with Australian Patent Application No. 202014605, dated Nov. 9, 2020, 2 pages.

(Continued)

*Primary Examiner* — Keli L Hill  
*Assistant Examiner* — Harold E Blackwell, II  
 (74) *Attorney, Agent, or Firm* — Hanley, Flight & Zimmerman, LLC

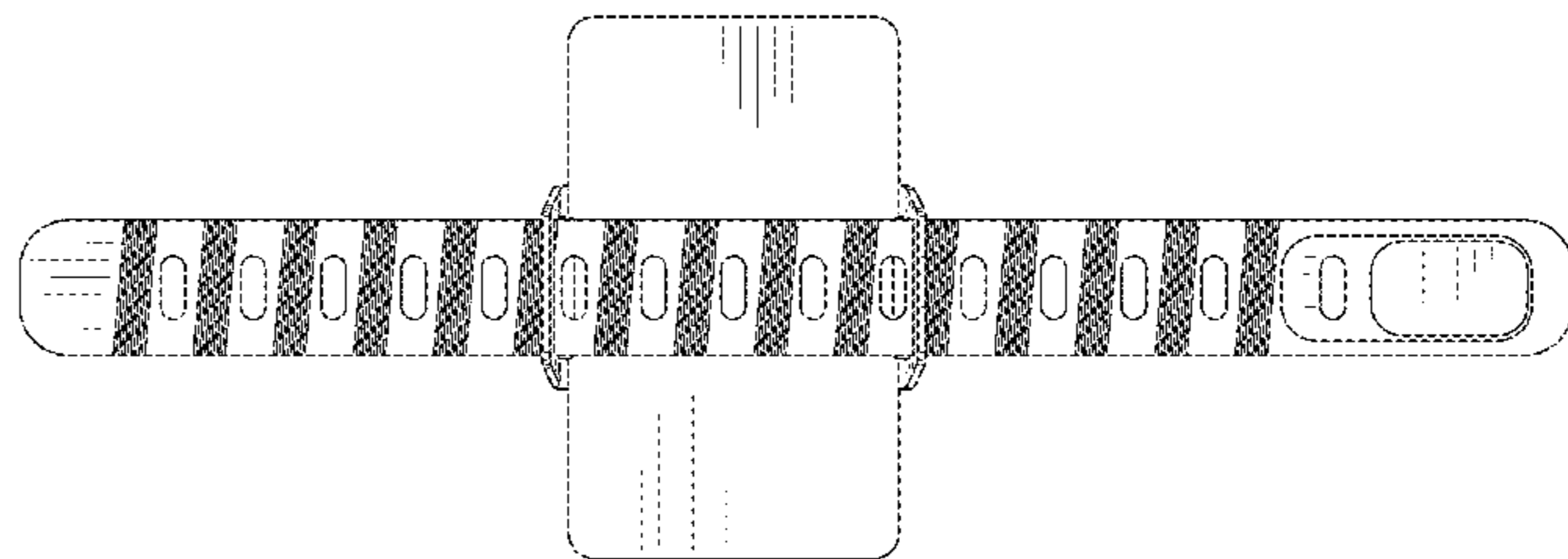
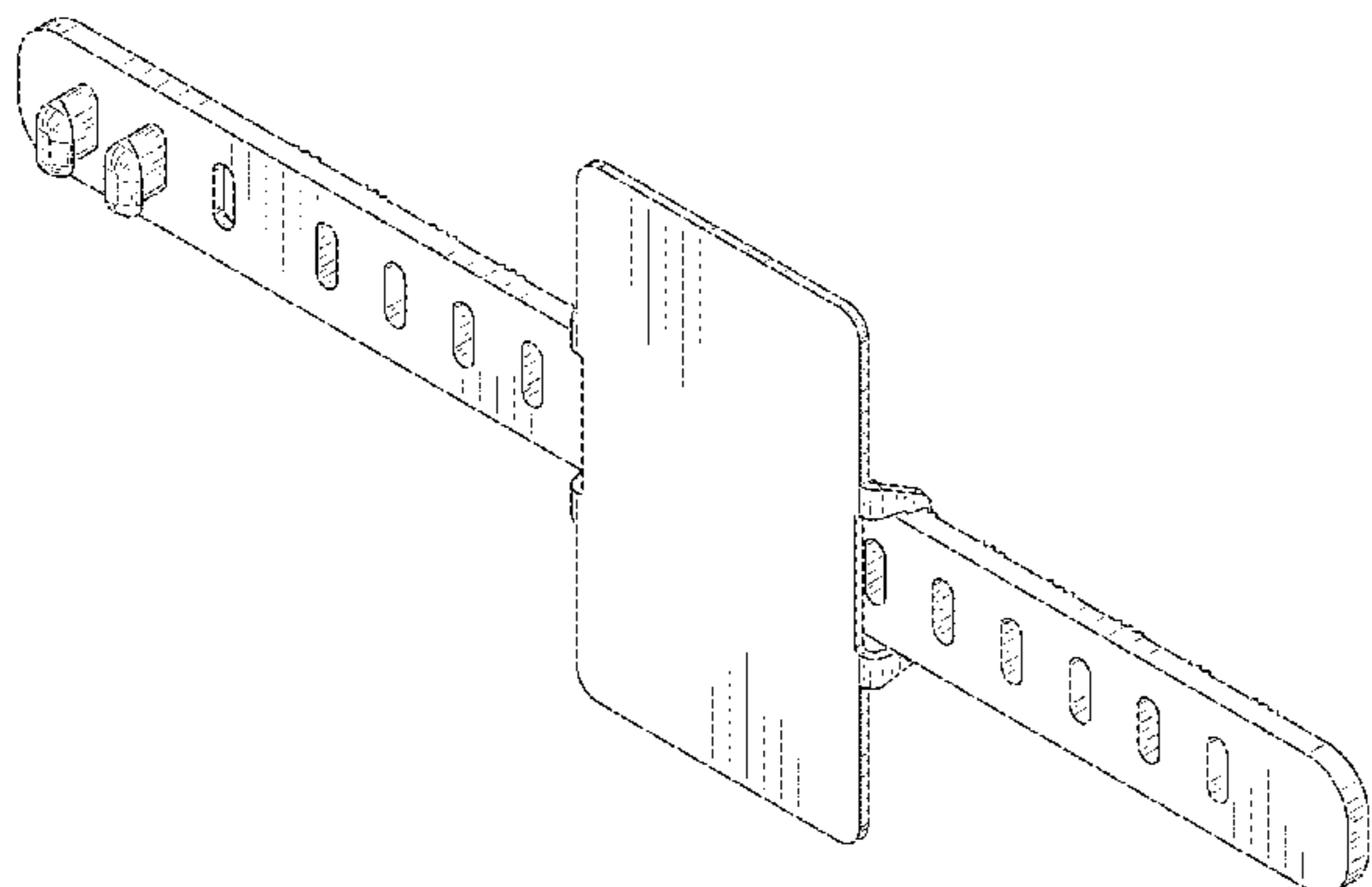
(57) **CLAIM**

The ornamental design for a "mountable plate," as shown and described in FIGS. 1-7.

**DESCRIPTION**

FIG. 1 is a perspective view of a mountable plate.  
 FIG. 2 is a front view of the mountable plate of FIG. 1.  
 FIG. 3 is a rear view of the mountable plate of FIG. 1.  
 FIG. 4 is a right side view of the mountable plate of FIG. 1.  
 FIG. 5 is a left side view of the mountable plate of FIG. 1.  
 FIG. 6 is a top view of the mountable plate of FIG. 1; and,  
 FIG. 7 is a bottom view of the mountable plate of FIG. 1.  
 The features shown in broken lines form no part of the claimed design.  
 The lighter solid lines denote surfaces and contours. Line shading is not surface ornamentation.

**1 Claim, 5 Drawing Sheets**



(56)

References Cited

U.S. PATENT DOCUMENTS

D622,058	S *	8/2010	Wagner, II	.....	D3/226
8,333,285	B2	12/2012	Kiehnau et al.		
D759,958	S *	6/2016	Requa	.....	D3/218
9,634,711	B2	4/2017	Sirichai		
9,847,805	B2	12/2017	Sirichai		
D806,381	S *	1/2018	Yu	.....	D3/218
D821,743	S *	7/2018	Cao	.....	D3/218
D826,044	S *	8/2018	Jefferies	.....	D9/434
10,067,004	B1	9/2018	Allen		
D848,731	S *	5/2019	Ge	.....	D3/226
10,304,429	B1	5/2019	Broadbelt et al.		
D852,793	S *	7/2019	Zhou	.....	D14/253
10,362,855	B2 *	7/2019	Whang	.....	A45F 5/00
2006/0070613	A1	4/2006	Cummings et al.		
2018/0177335	A1	6/2018	Polaczek et al.		
2018/0338351	A1	11/2018	Schmeski		
2018/0372555	A1	12/2018	Allen, Sr.		

OTHER PUBLICATIONS

IP Australia, "Certificate of Registration," issued in connection with Australian Patent Application No. 202014605, dated Nov. 18, 2020, 8 pages.

China National Intellectual Property Administration, "Notice of Decision of Grant of Patent," issued in connection with Chinese Patent Application No. 202030531076.3, dated Jan. 18, 2021, 4 pages.

China National Intellectual Property Administration, "Design Certificate" issued in connection with Chinese Patent Application No. ZL202030531076.3, dated Feb. 26, 2021, 3 pages.

European Union Intellectual Property Office, "Certificate of Registration No. 008166698-0001," issued on Sep. 11, 2020, 5 pages.

Weber, "Charcoal Grill Replacement Parts—iGrill Bracket," dated 2020, 4 pages.

\* cited by examiner

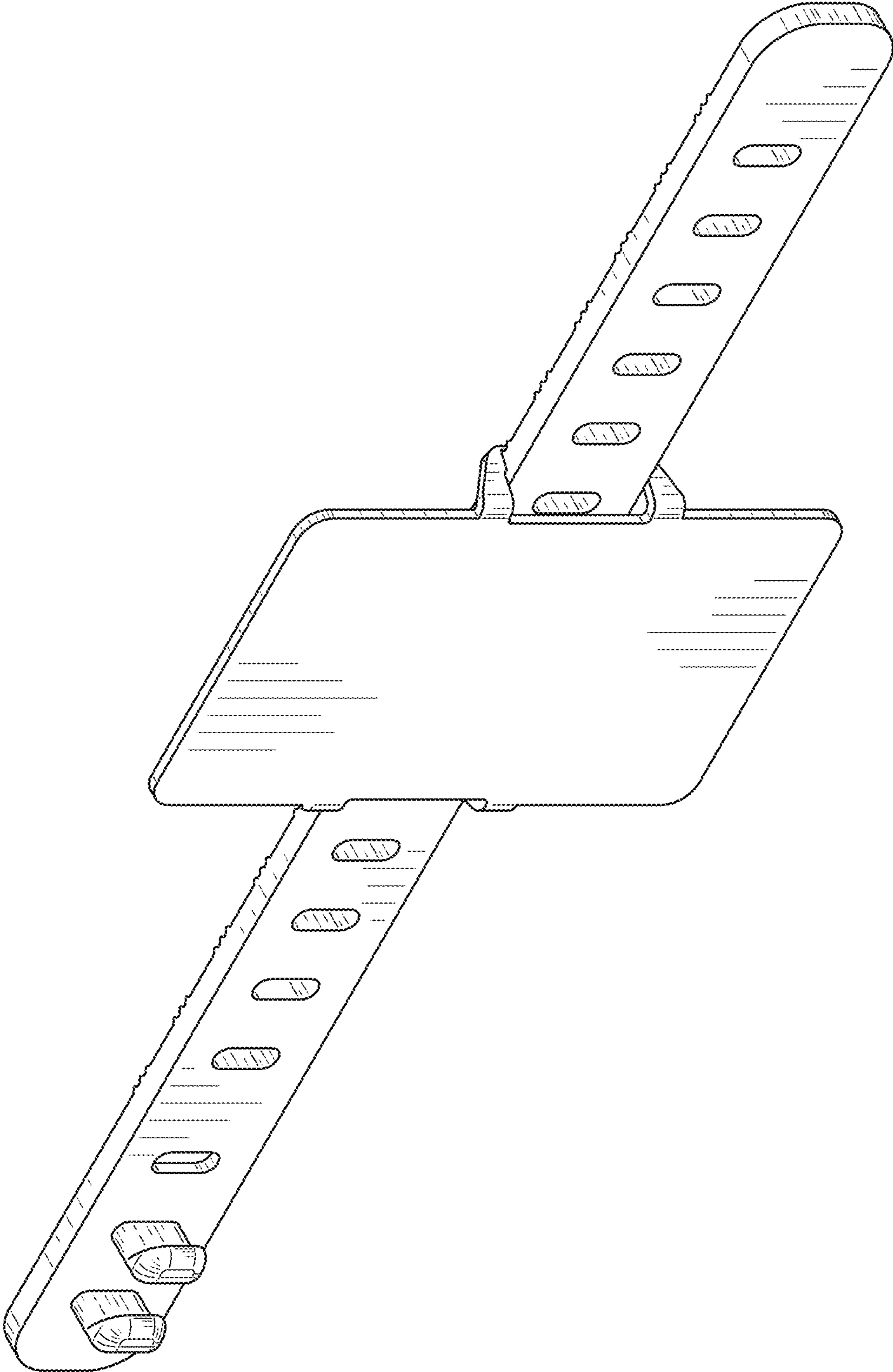


FIG. 1

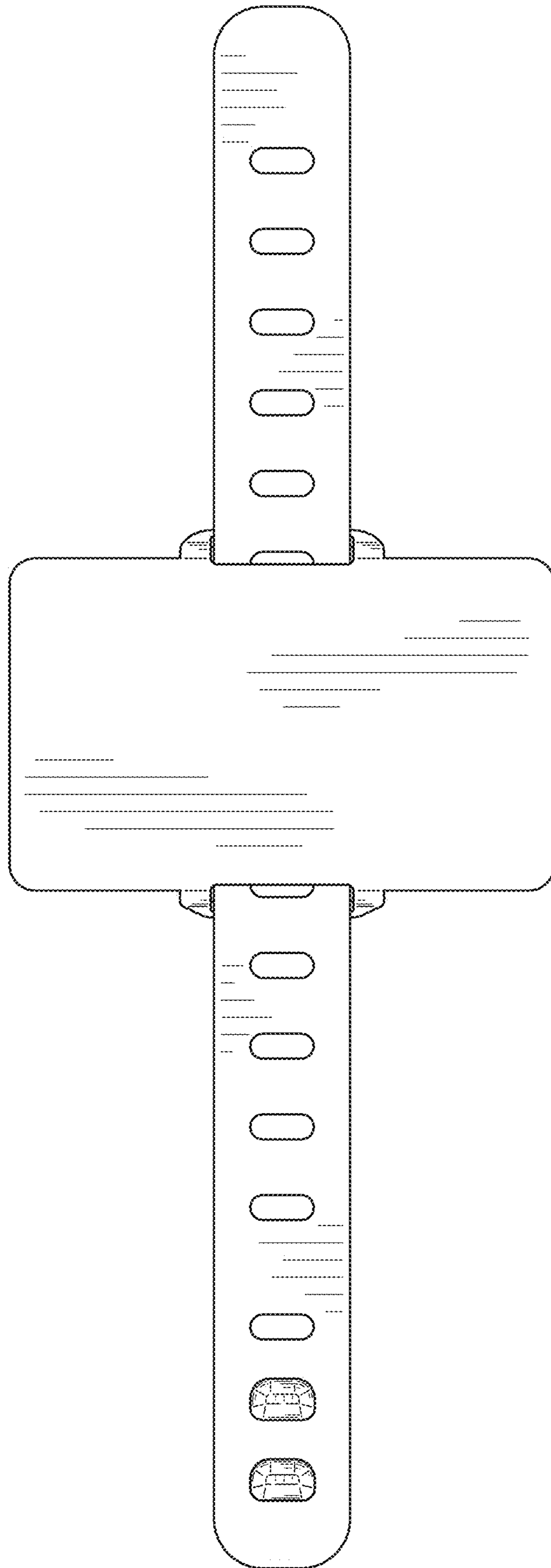


FIG. 2

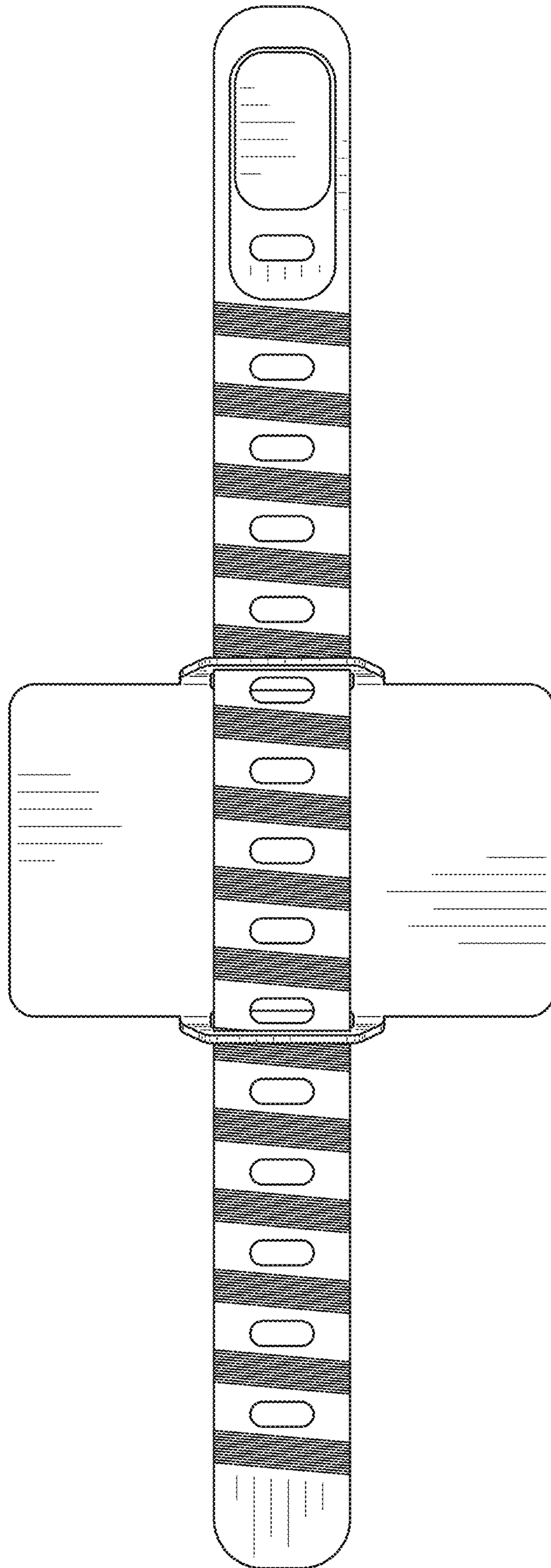


FIG. 3

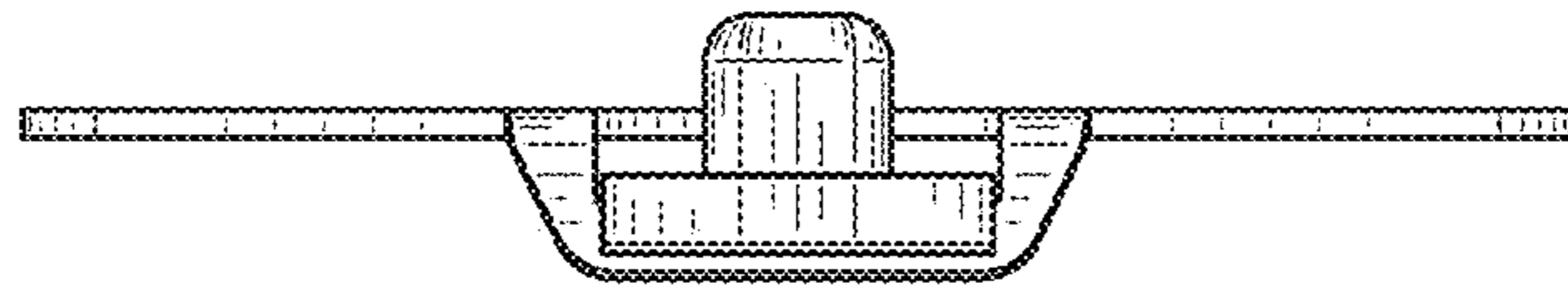


FIG. 5

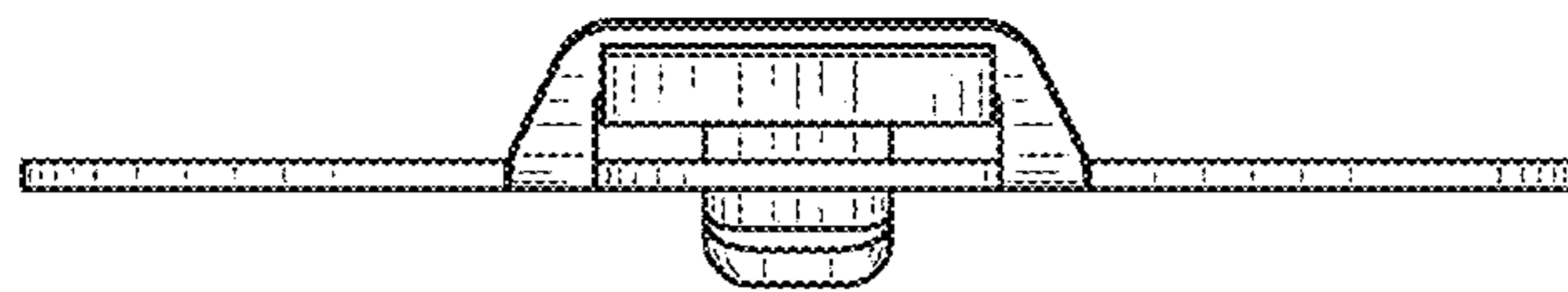


FIG. 4

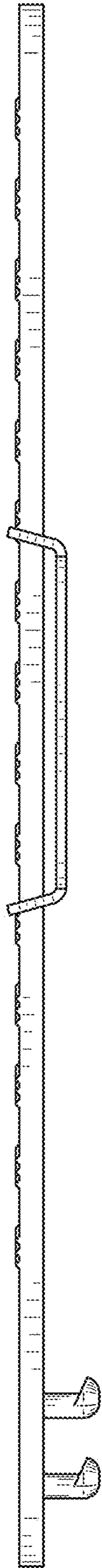


FIG. 6

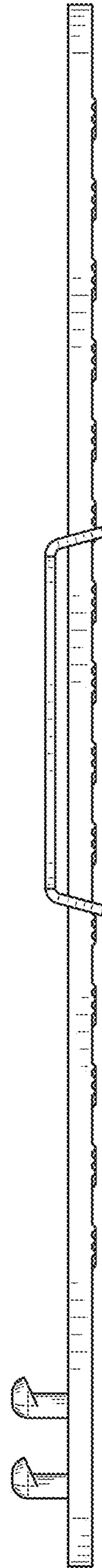


FIG. 7