



US00D943392S

(12) **United States Design Patent** (10) **Patent No.:** **US D943,392 S**
Kanter (45) **Date of Patent:** **** Feb. 15, 2022**

(54) **MOUNT ADAPTER BRACKET**
(71) Applicant: **HUMANCENTRIC VENTURES LLC, Skokie, IL (US)**
(72) Inventor: **Simcha Kanter, Skokie, IL (US)**
(73) Assignee: **Humancentric Ventures, LLC, Skokie, IL (US)**
(**) Term: **15 Years**
(21) Appl. No.: **29/715,822**
(22) Filed: **Dec. 4, 2019**
(51) **LOC (13) Cl.** **08-05**
(52) **U.S. Cl.**
USPC **D8/354**
(58) **Field of Classification Search**
USPC D14/371-382, 125-129, 336, 337, D14/447-452, 492, 335, 376-382, 239, D14/457, 439-441, 432, 251-253; D8/349, 354, 363, 373, 376, 380; D21/333; D12/415; D3/10, 218; 348/180, 184, 325, 739, 825; 248/323, 248/278.1, 286.1
CPC G06F 3/0412; G06F 3/016; G06F 3/0488; G06F 3/011; G06F 3/038; G06F 3/03543; G06F 3/0338; G06F 3/0202; G06F 3/0219; G06F 3/0213; G06F 1/1616; G06F 3/023; G06F 3/04883; G02F 1/13338; G02F 1/1313; G02F 1/1333; G02F 1/135; G02F 1/132; G02F 1/133308; G02F 1/134309; G02F 1/13718; G09G 3/3648; G06K 15/1252; G03F 7/70291; F16M 13/02; F16M 13/00; F16M 11/10; F16M 11/04; F16M 2200/08; F16M 11/2021; H02G 3/126; A47G 1/17; A47K 2201/00; B41J 2/465; G02B 27/0172; G02B 5/30; G02B 2027/0118; G02B 27/0101; A47B 21/0314; A47B 88/044; A47B 2021/0335; F16B 47/00; F16B 47/006

See application file for complete search history.

(56) **References Cited**
U.S. PATENT DOCUMENTS
D822,453 S * 7/2018 Kanter D8/354
D822,454 S * 7/2018 Kanter D8/354
D822,650 S * 7/2018 Kanter D14/238
D823,094 S * 7/2018 Kanter D8/354
D823,286 S * 7/2018 Kanter D14/238
D829,531 S 10/2018 Kanter
D829,533 S * 10/2018 Kanter D8/354
D833,851 S * 11/2018 Kanter D8/354
D846,369 S * 4/2019 Ni D8/354
(Continued)

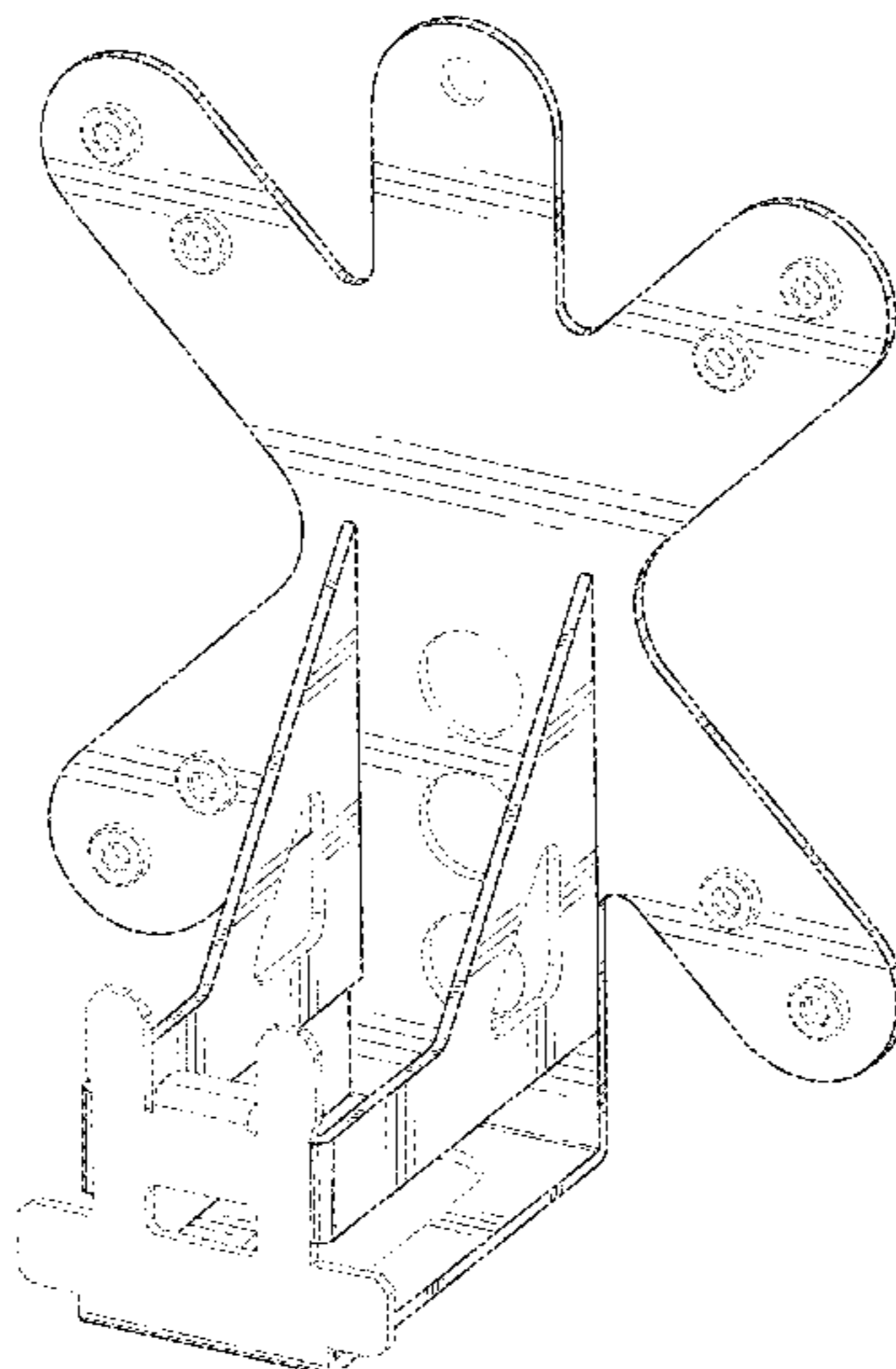
OTHER PUBLICATIONS
Amazon. (Feb. 11, 2019). Vivo Quick Attached VESA Adapter Plate. Amazon.com Retrieved Dec. 22, 2019, from <https://www.amazon.com/dp/B07NM9Z/GX>.
(Continued)

Primary Examiner — Katie Jane Stofko

(57) **CLAIM**
The ornamental design for a mount adapter bracket, as shown and described.

DESCRIPTION
FIG. 1 is a top, front, right side perspective view of a mount adapter bracket;
FIG. 2 is a front elevation view thereof;
FIG. 3 is a back elevation view thereof;
FIG. 4 is a left side elevation view thereof;
FIG. 5 is a right side elevation view thereof;
FIG. 6 is a top plan view thereof; and,
FIG. 7 is a bottom plan view thereof.
The broken lines in FIGS. 1-7 illustrate portions of the mount adapter bracket that form no part of the claimed design.

1 Claim, 7 Drawing Sheets



(56)

References Cited

U.S. PATENT DOCUMENTS

D846,370 S * 4/2019 Ni D8/354
D852,788 S * 7/2019 Kanter D14/238
D859,958 S * 9/2019 Ni D8/354
D901,469 S * 11/2020 Fehr D14/238
2012/0025046 A1* 2/2012 Yen F16M 11/045
248/298.1

OTHER PUBLICATIONS

Amazon. (Aug. 12, 2016). Gladiator Joe Monitor Arm/Mount VESA Bracket. Amazon.com Retrieved Dec. 22, 2019, from <https://www.amazon.com/dp/B01KAHXP68>.

* cited by examiner

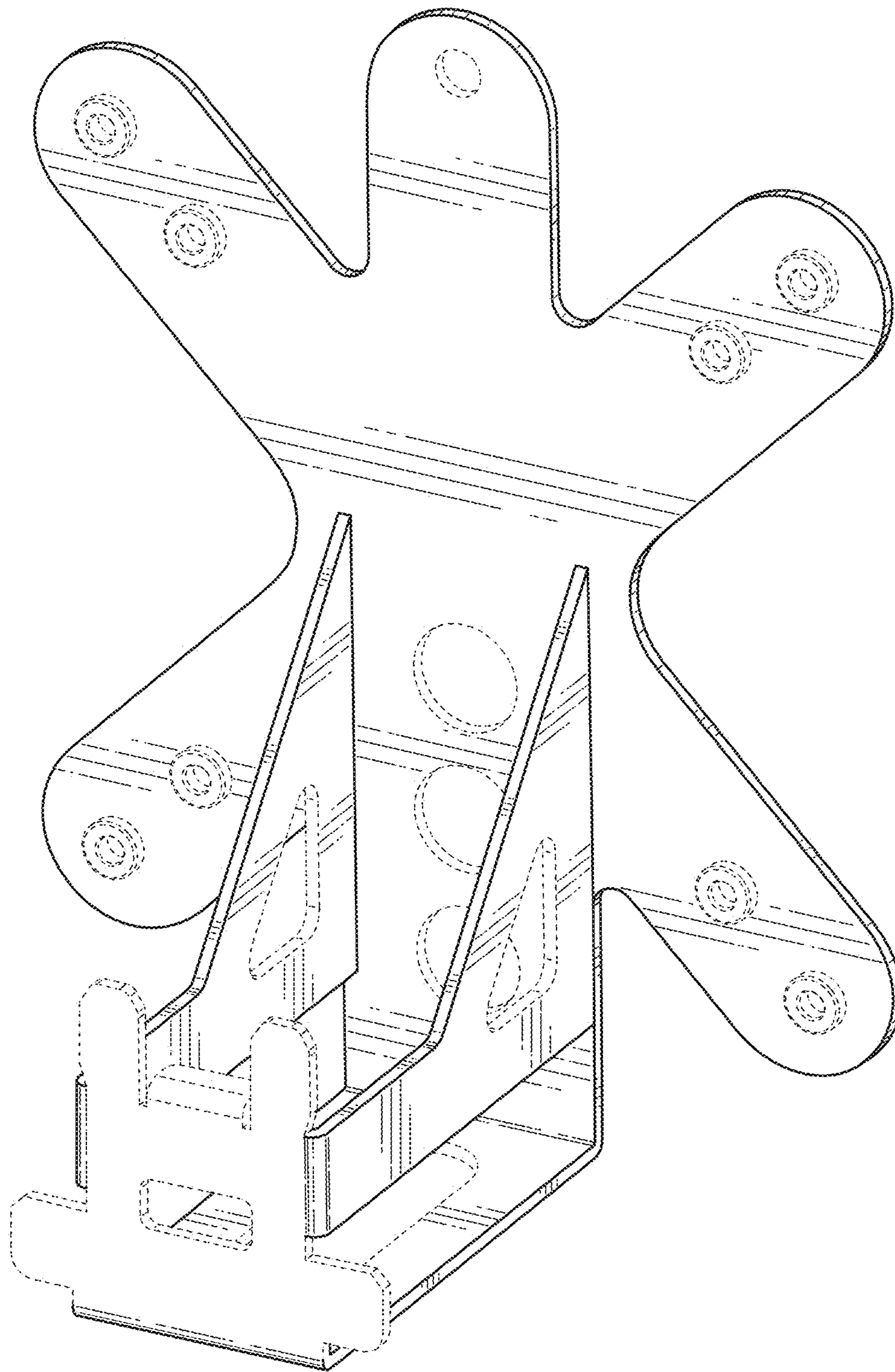


FIG. 1

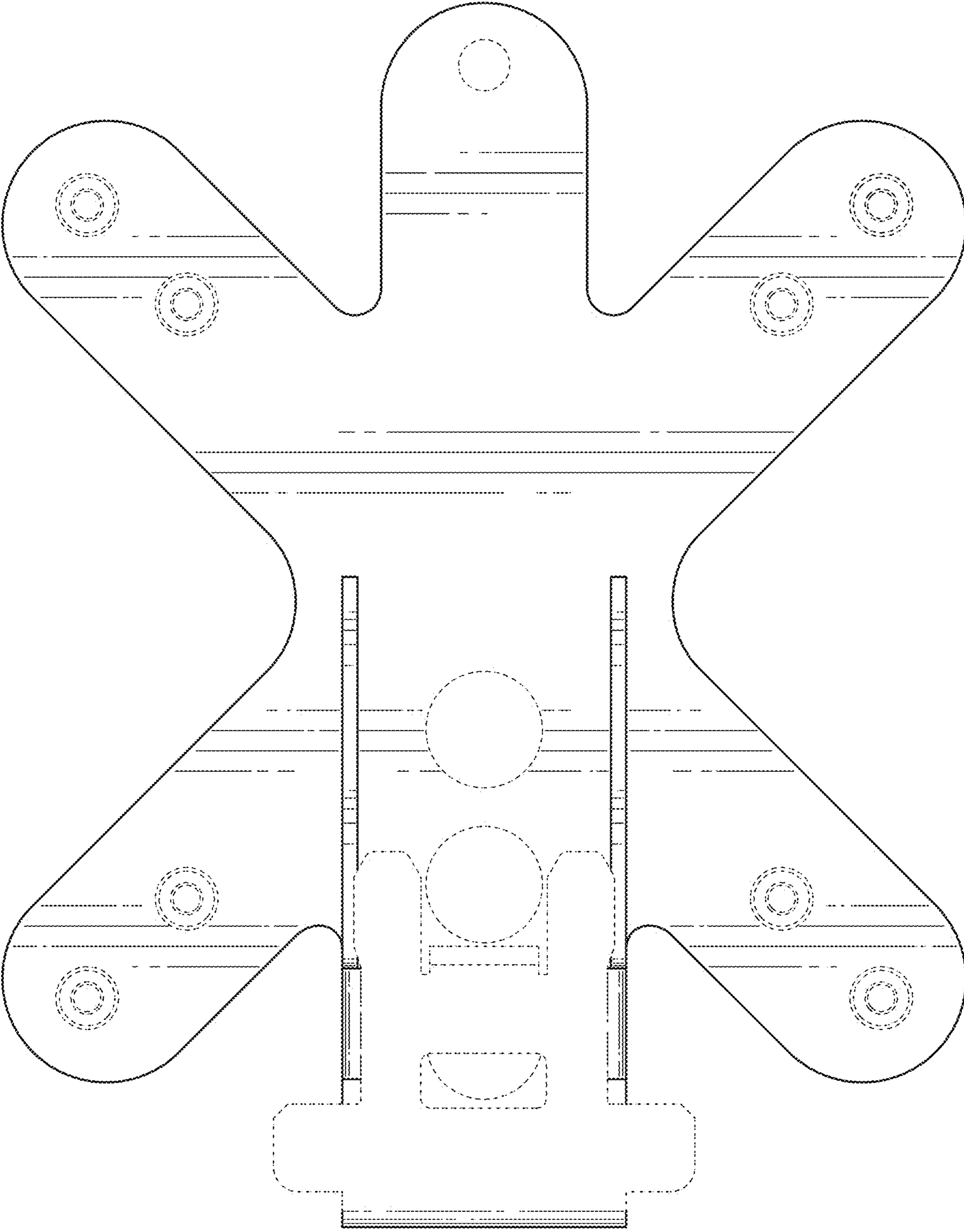


FIG. 2

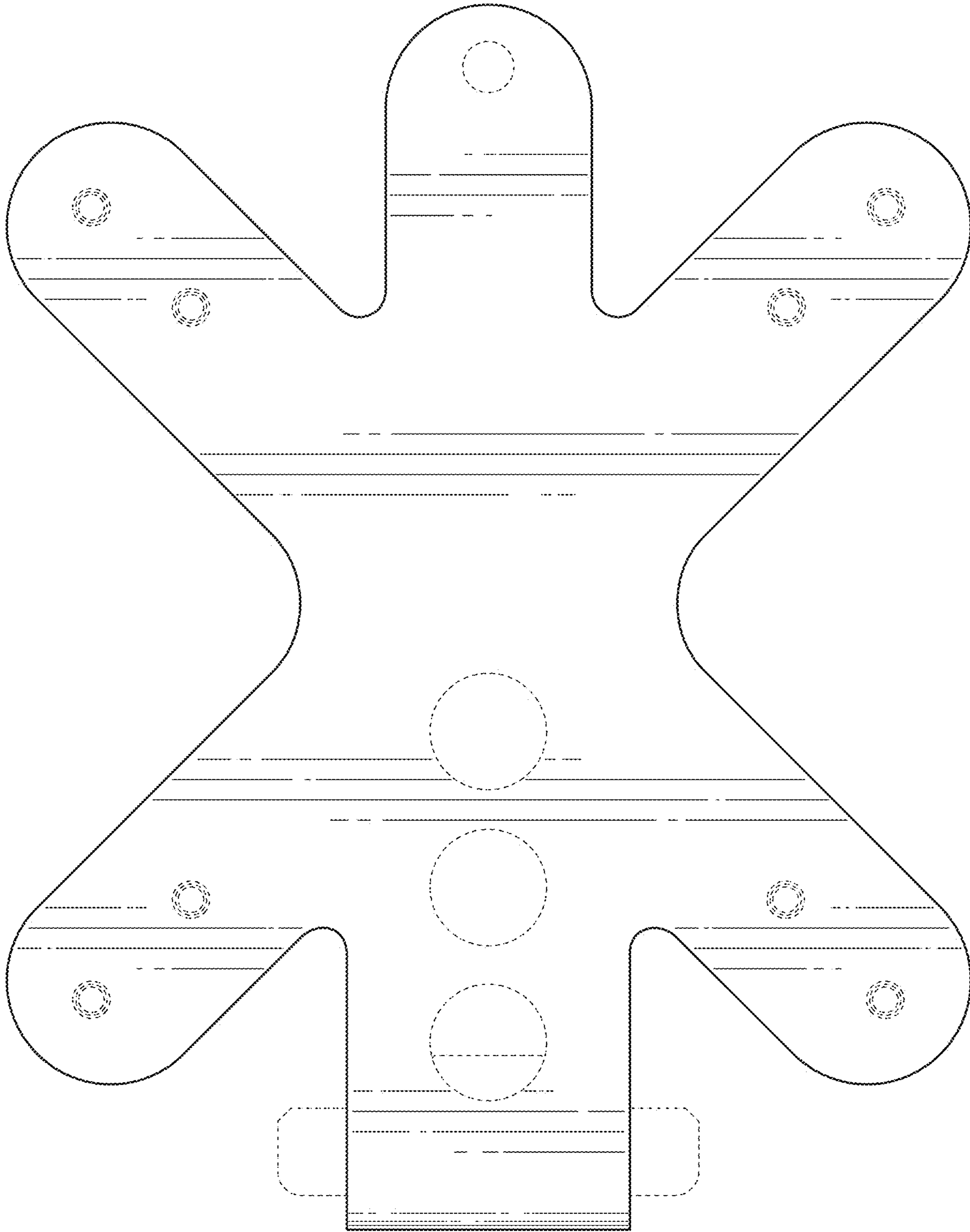


FIG. 3

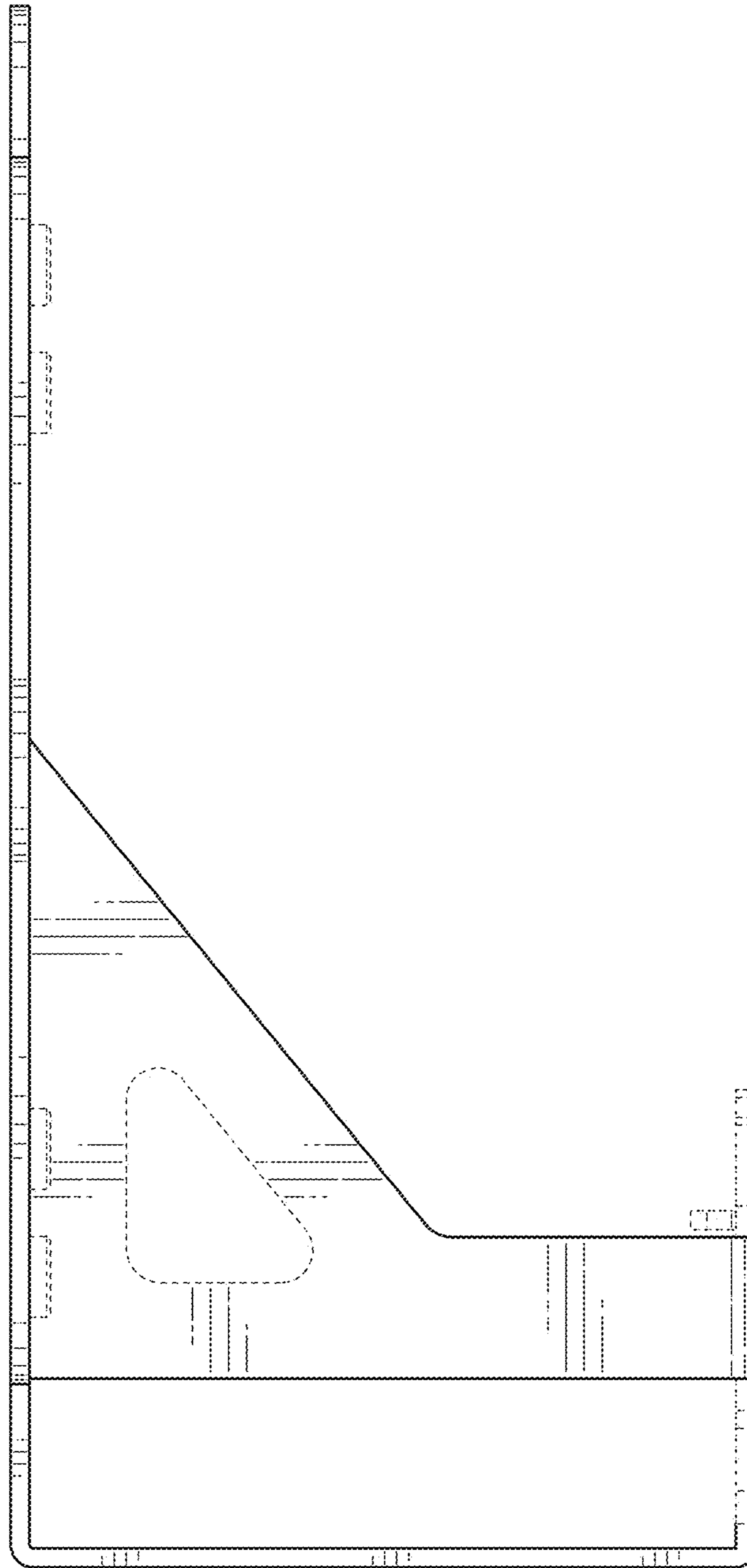


FIG. 4

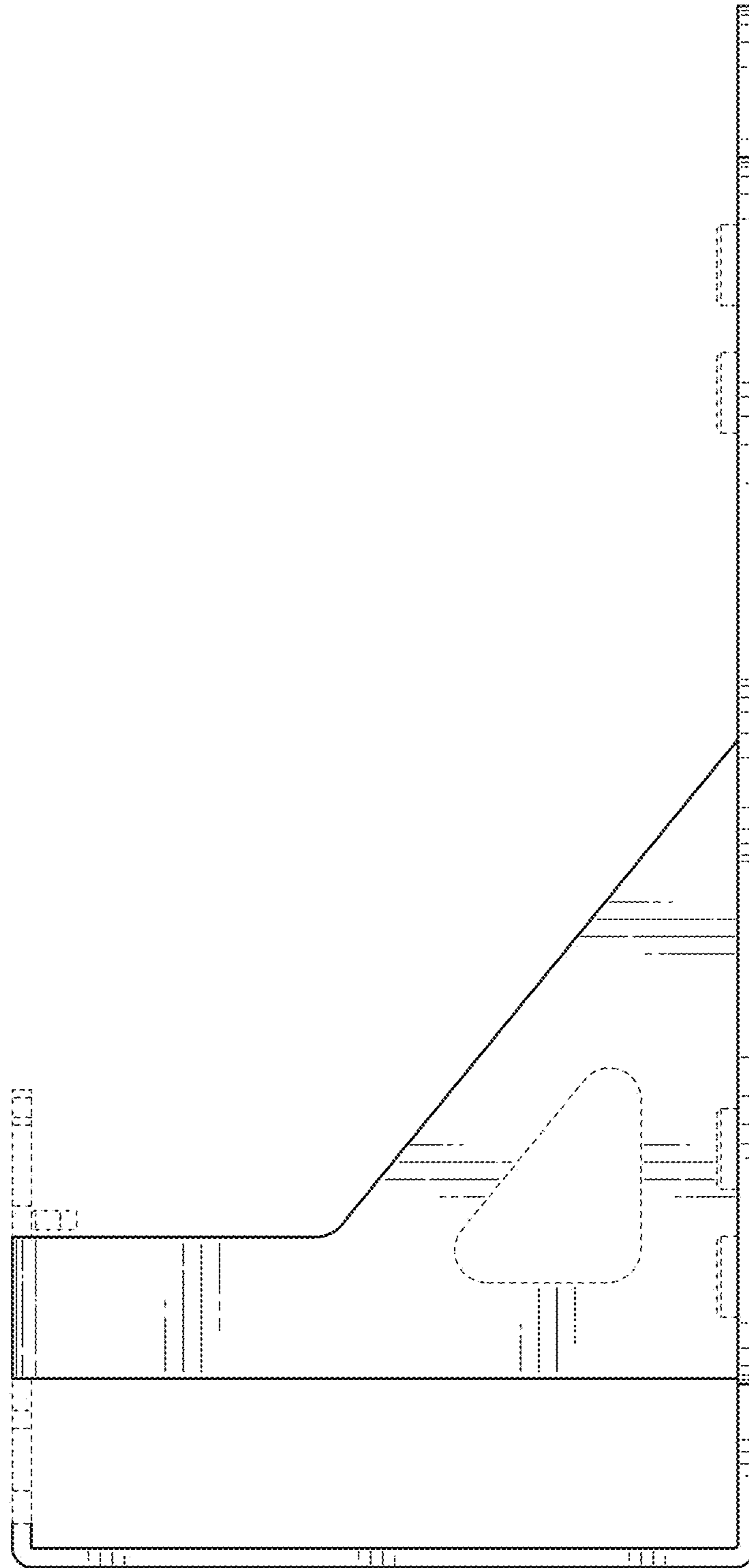


FIG. 5

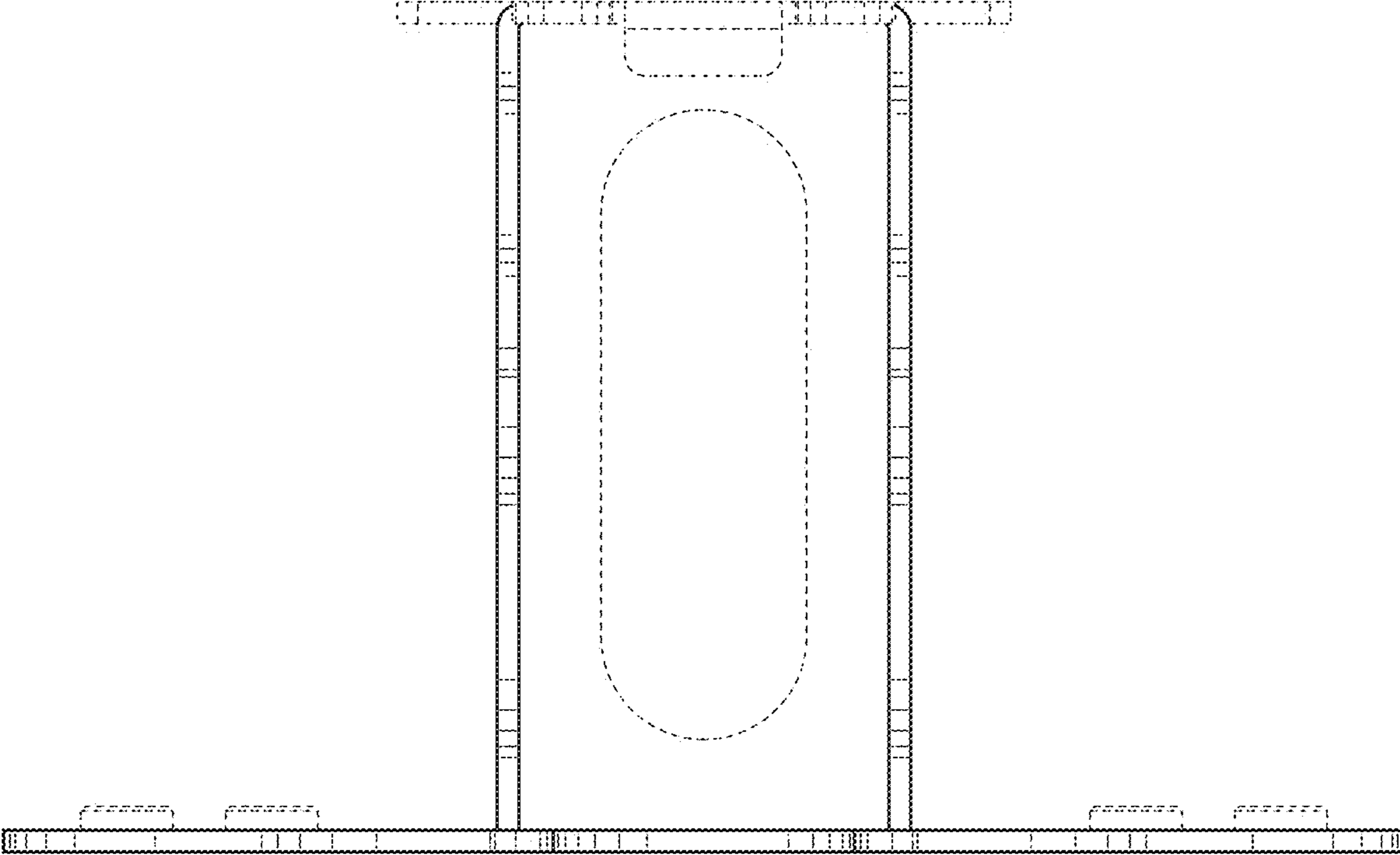


FIG. 6

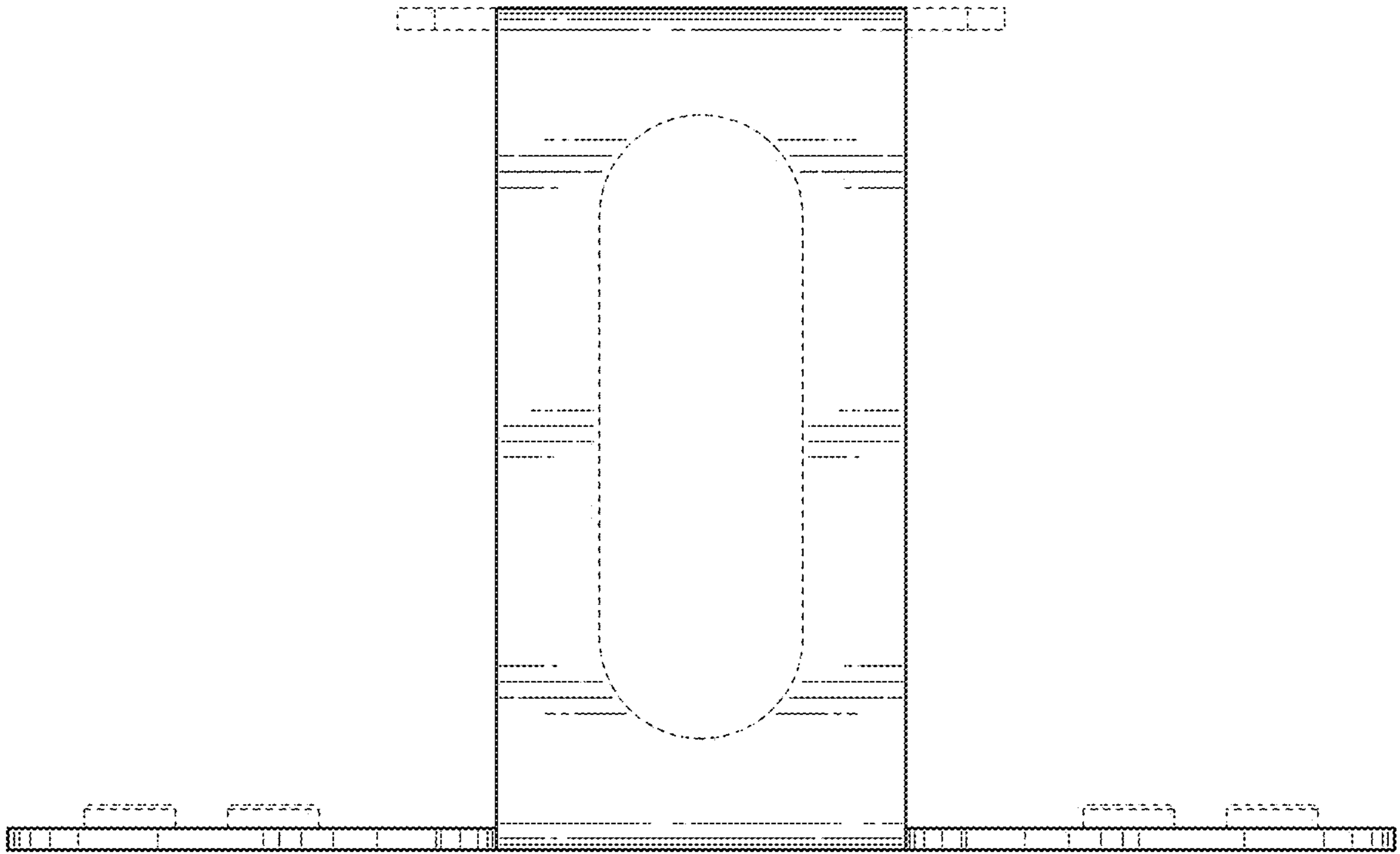


FIG. 7