



US00D943389S

(12) **United States Design Patent** (10) **Patent No.:** **US D943,389 S**
O'Toole (45) **Date of Patent:** **** Feb. 15, 2022**

(54) **LUG**
(71) Applicant: **ONESTEEL WIRE PTY LIMITED**,
St. Leonards (AU)
(72) Inventor: **Lawrence O'Toole**, New South Wales
(AU)
(73) Assignee: **INFRABUILD WIRE PTY LIMITED**
(**) Term: **15 Years**
(21) Appl. No.: **29/653,353**
(22) Filed: **Jun. 14, 2018**
(51) **LOC (13) Cl.** **08-08**
(52) **U.S. Cl.**
USPC **D8/349**
(58) **Field of Classification Search**
USPC D8/349, 350-353, 354, 355, 363,
D8/373-377
CPC .. A47F 5/00; A47H 1/10; A47G 29/00; A47G
29/08; A47B 97/00; A47K 3/14
See application file for complete search history.

(56) **References Cited**
U.S. PATENT DOCUMENTS
D343,784 S * 2/1994 Hagenbuch D8/349
D423,909 S * 5/2000 Hartin D8/349
D570,198 S * 6/2008 Mamula D8/354
D658,038 S * 4/2012 Ghatikar D8/354
D740,104 S * 10/2015 Morissette D8/354
D753,982 S * 4/2016 Guirlinger D8/349
D776,916 S * 1/2017 Yeruva D3/218
D807,152 S * 1/2018 Hansen D8/354
D819,428 S * 6/2018 Ng D8/354
D830,813 S * 10/2018 Garfinkle D8/354
D833,851 S * 11/2018 Kanter D8/354
D847,609 S * 5/2019 Ng D8/354

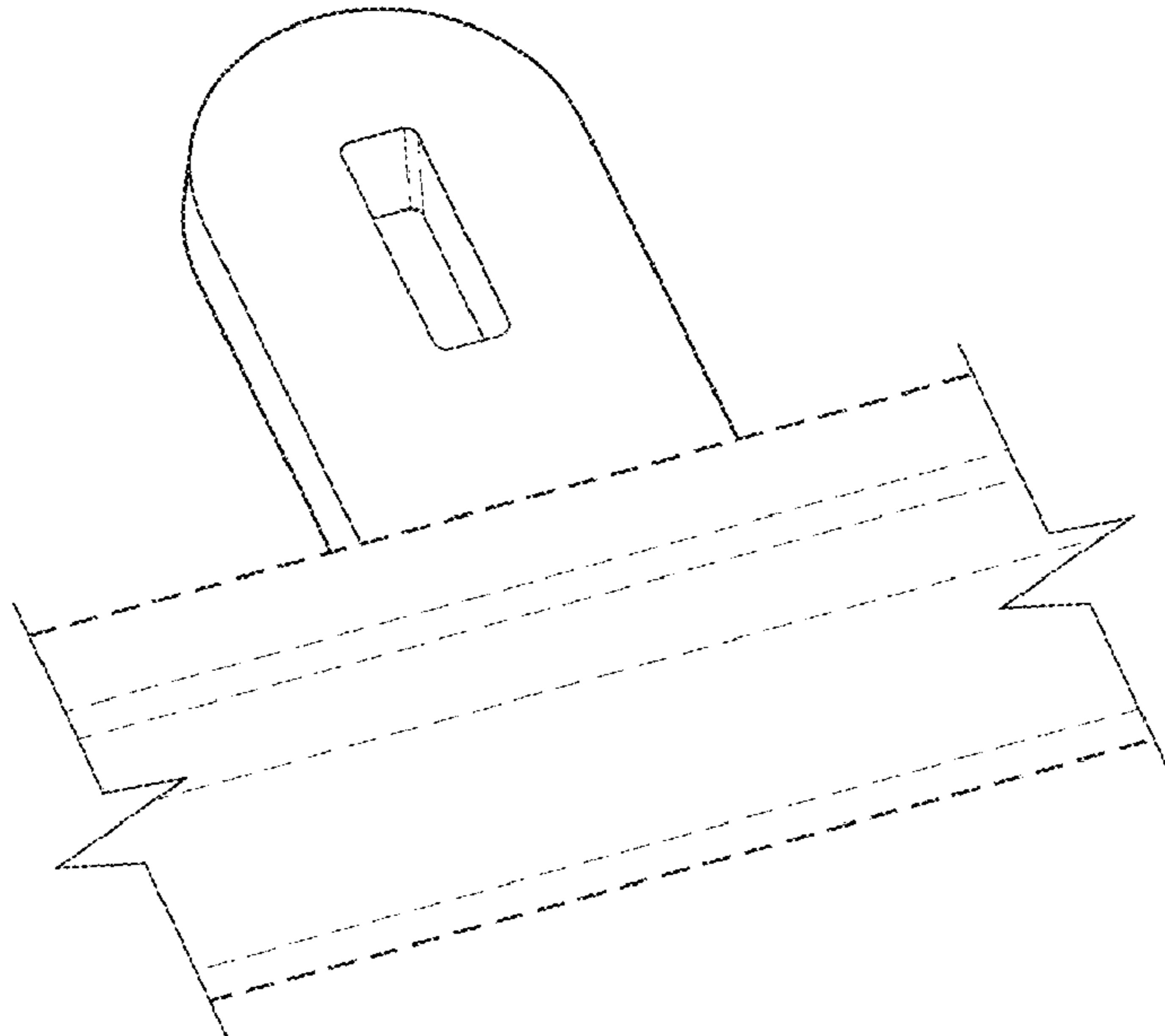
* cited by examiner

Primary Examiner — Michael C Stout
Assistant Examiner — Benjamin M Weeks
(74) *Attorney, Agent, or Firm* — McAndrews, Held &
Malloy, Ltd.

(57) **CLAIM**
The ornamental design for a lug, as shown and described.

DESCRIPTION
FIG. 1 is a top perspective view of a lug showing my new design;
FIG. 2 is a side elevation view thereof;
FIG. 3 is a cross-sectional side elevation view thereof taken along the line 3-3 of FIG. 4;
FIG. 4 is a top plan view thereof;
FIG. 5 is a bottom plan view thereof;
FIG. 6 is another top plan view thereof, showing additional example environment;
FIG. 7 is another bottom plan view thereof, showing additional example environment;
FIG. 8 is another top perspective view thereof, showing additional example environment;
FIG. 9 is an exploded top perspective view thereof, showing additional example environment;
FIG. 10 is a front elevation view thereof; and,
FIG. 11 is a cross-sectional side elevation view thereof taken along the line 11-11 of FIG. 10.
The even length dashed broken lines in the drawings illustrate example environment that forms no part of the claimed design.
The uneven length dashed broken lines in the drawings indicate a cross-section.
The lines having a jagged element form no portion of the claimed design and show that differing lengths of the disclosed portion are possible.

1 Claim, 7 Drawing Sheets



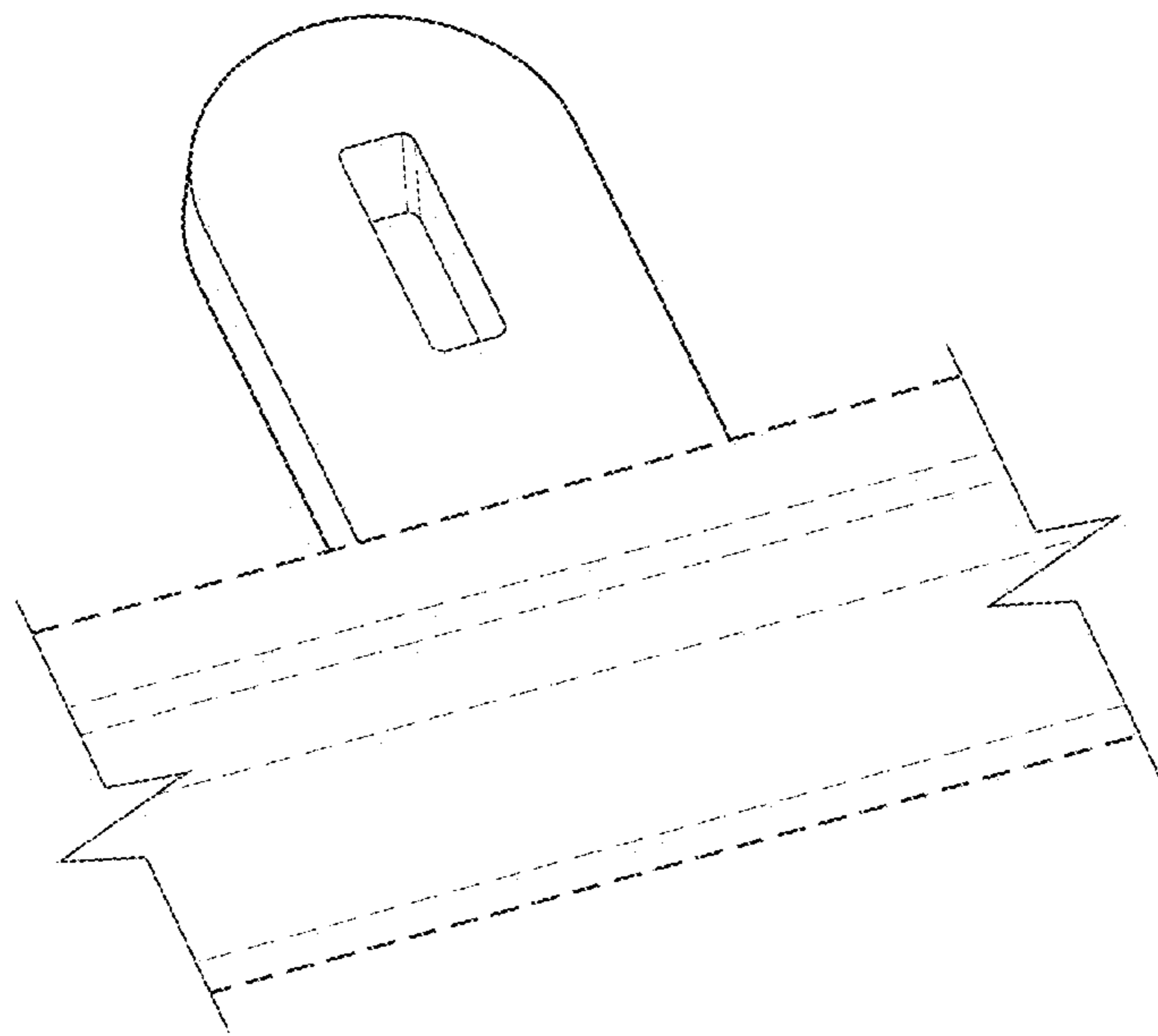


Figure 1

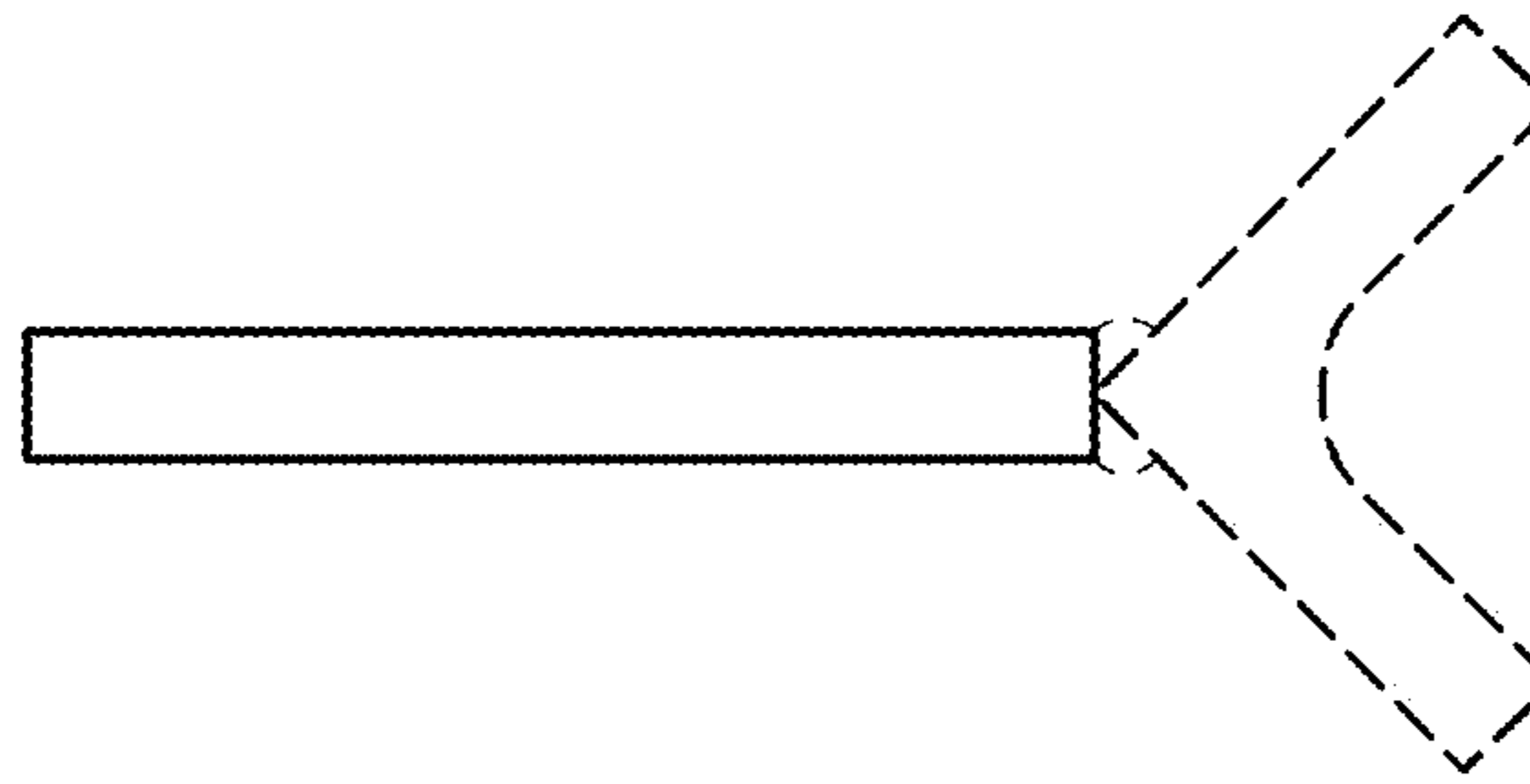


Figure 2

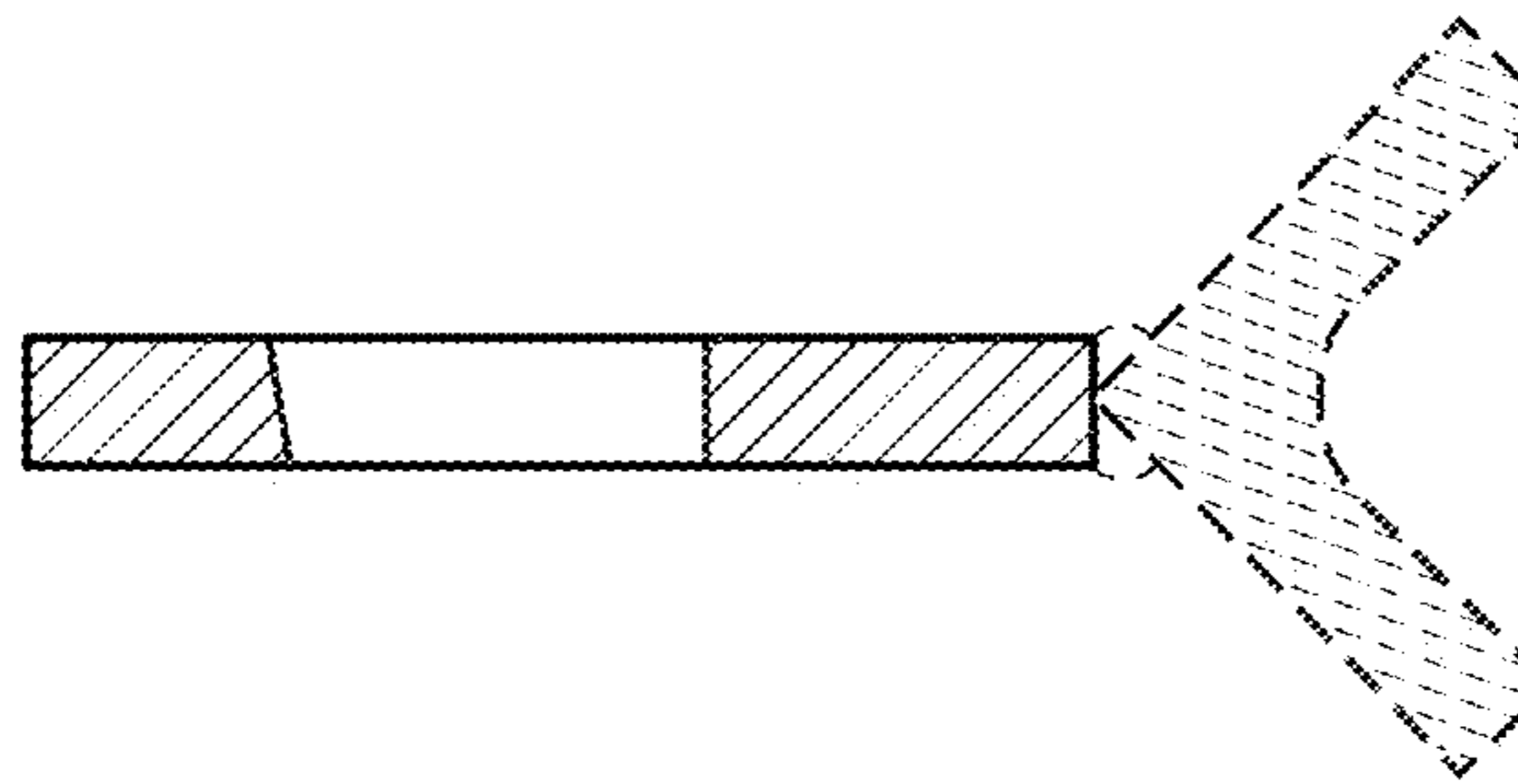


Figure 3

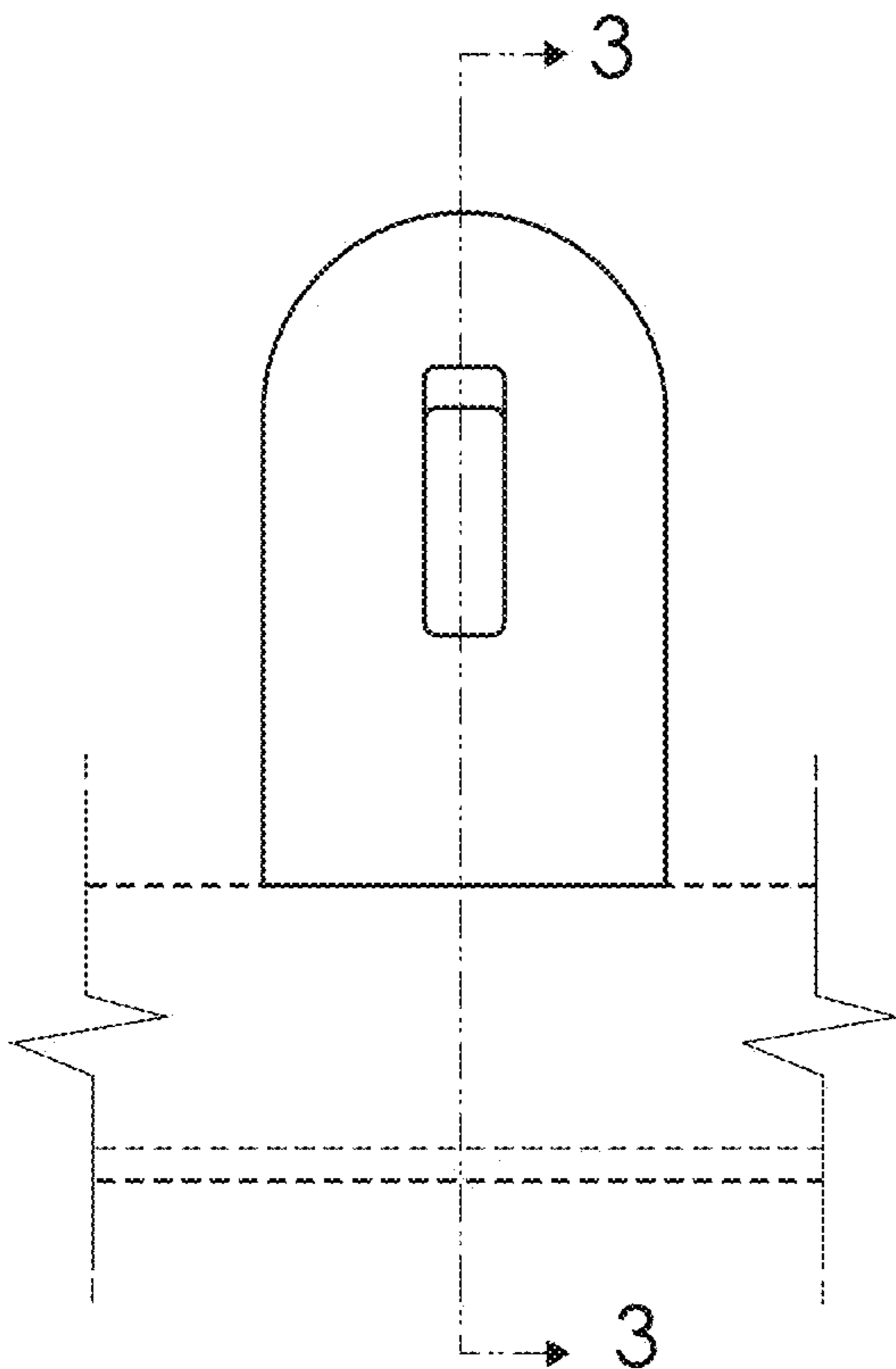


Figure 4

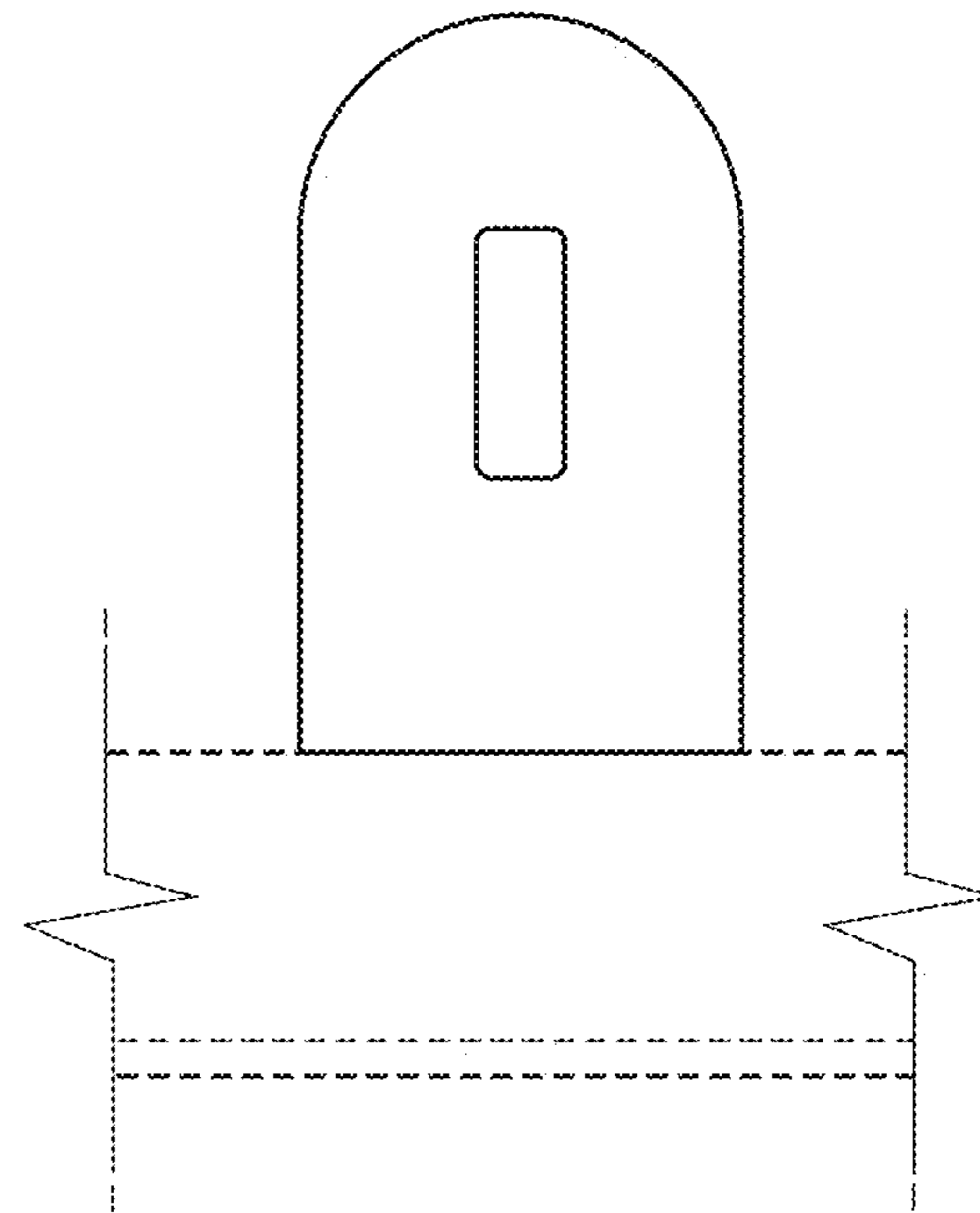


Figure 5

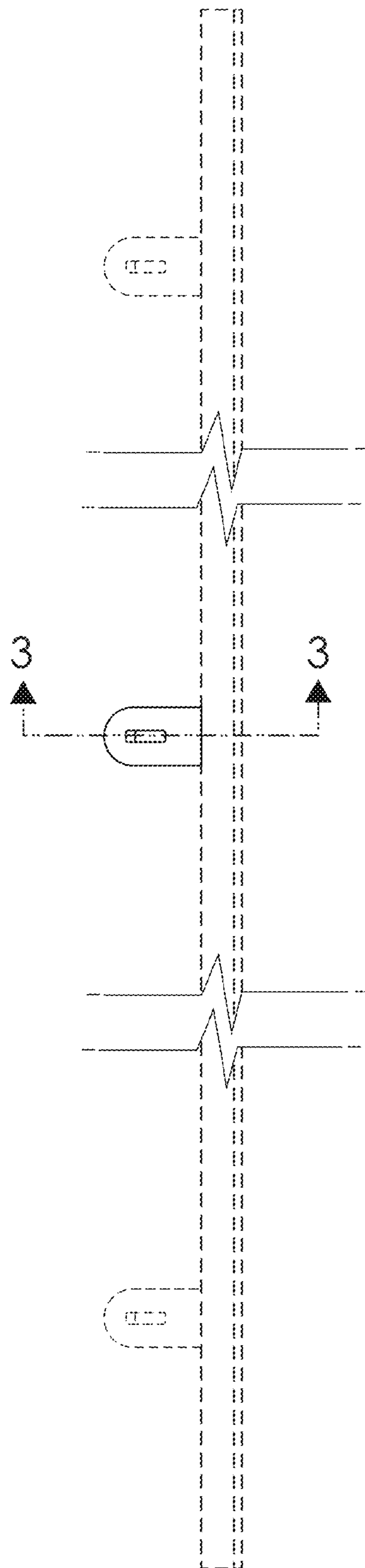


Figure 6

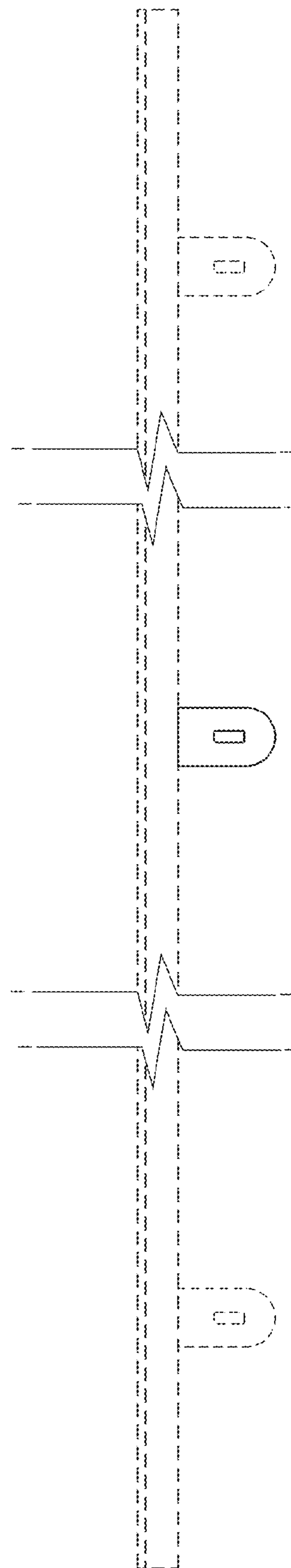


Figure 7

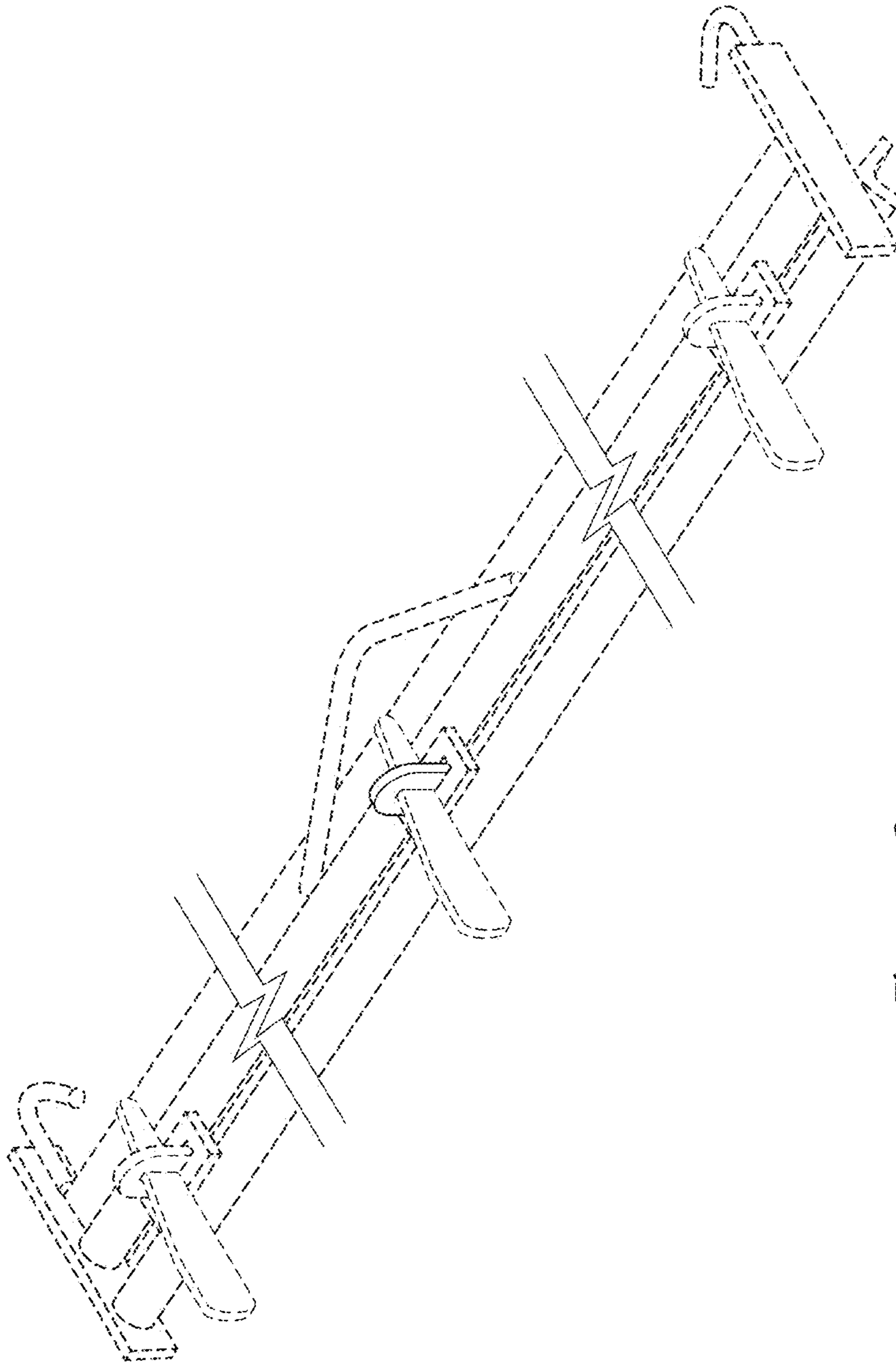


Figure 8

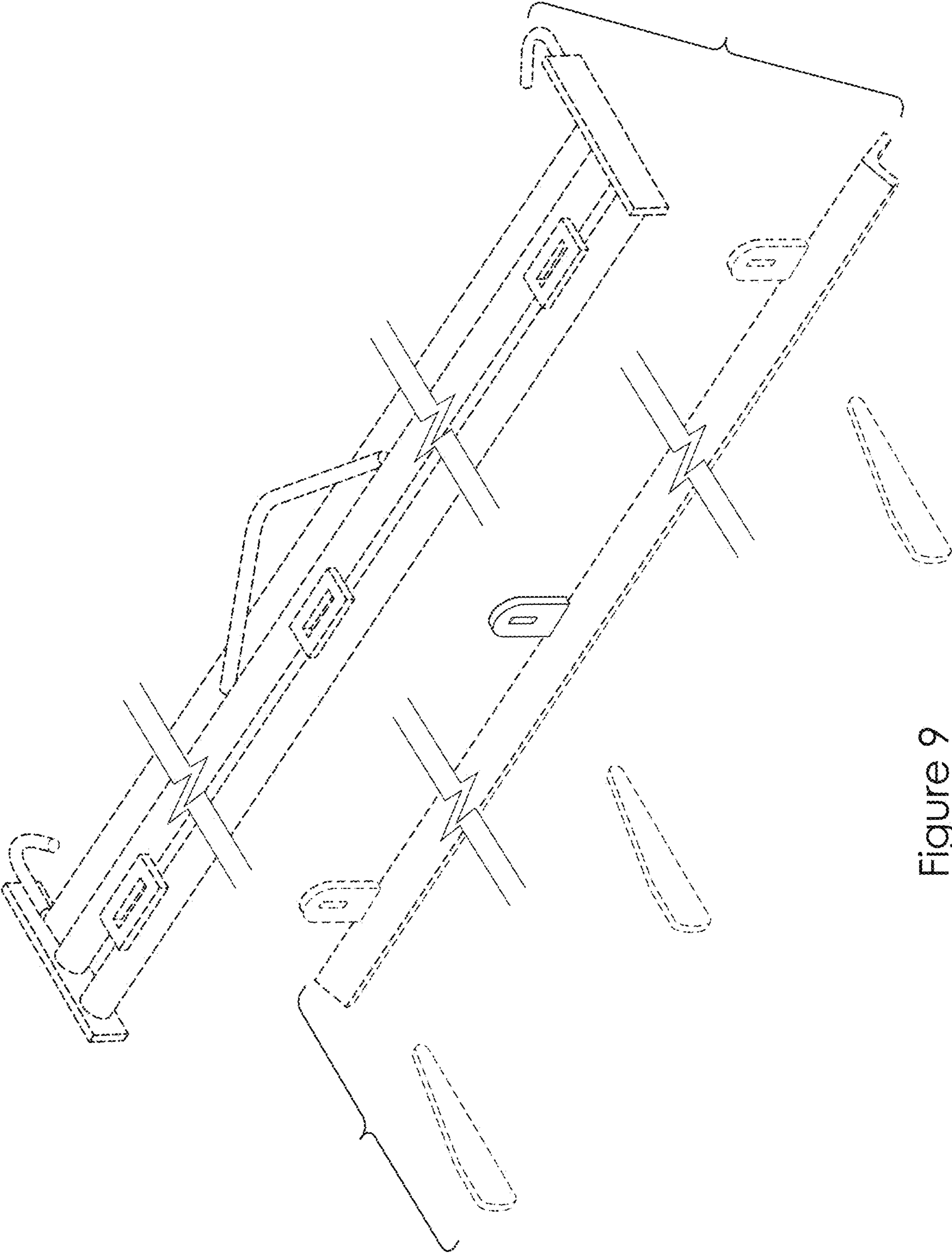


Figure 9

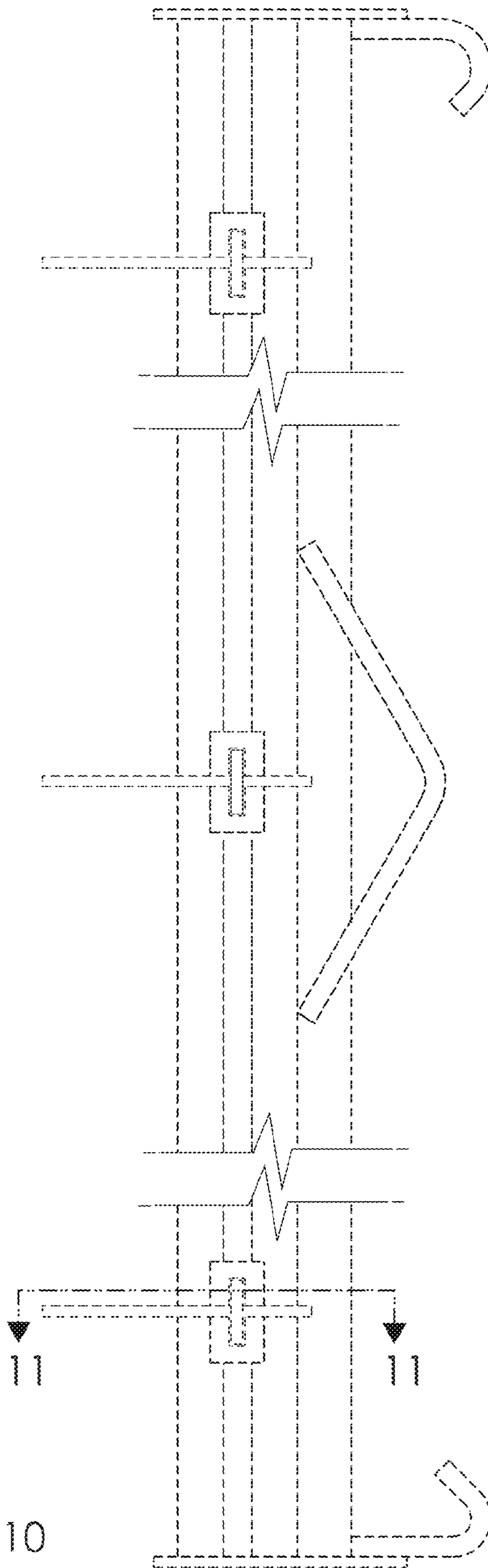


Figure 10

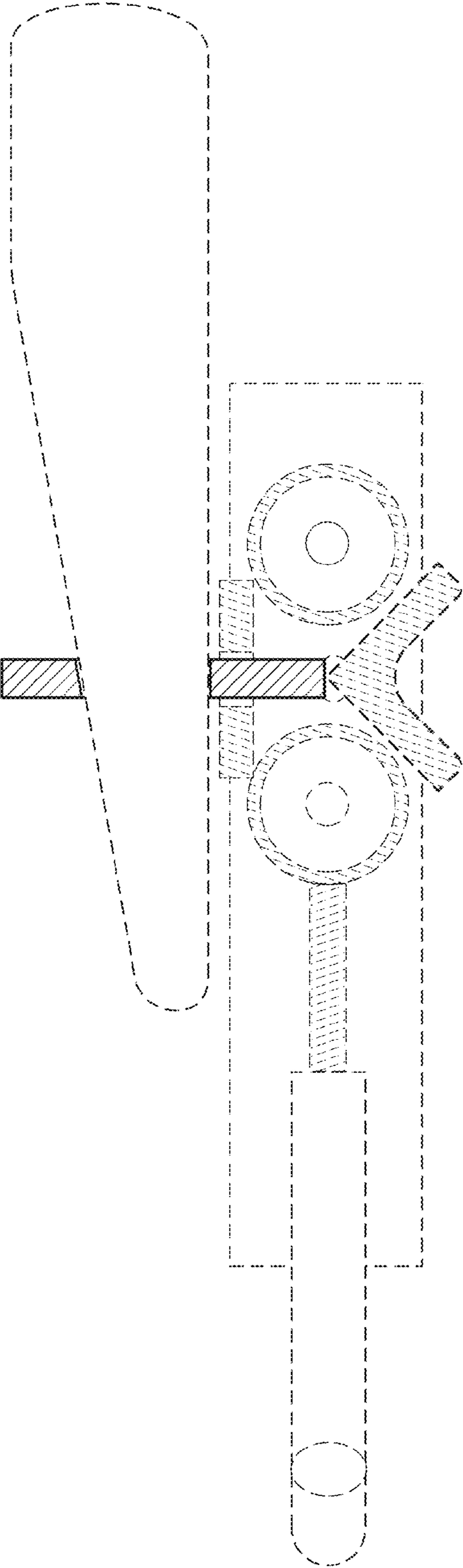


Figure 11