



US00D943388S

(12) **United States Design Patent**
Griswold

(10) **Patent No.:** **US D943,388 S**

(45) **Date of Patent:** **** Feb. 15, 2022**

(54) **PRIVACY LOCK**

D548,044 S * 8/2007 Tang D8/323
D604,142 S * 11/2009 Ayrest D8/343
10,214,947 B2 * 2/2019 Marsh E05B 57/00

(71) Applicant: **ASSA ABLOY Accessories and Door Controls Group, Inc.**, Monroe, NC (US)

* cited by examiner

(72) Inventor: **Lee Griswold**, Bethel, CT (US)

Primary Examiner — Doris Clark

(73) Assignee: **ASSA ABLOY Accessories and Door Controls Group, Inc.**, Monroe, NC (US)

(74) *Attorney, Agent, or Firm* — Moore & Van Allen PLLC; Jeffrey R. Gray

(**) Term: **15 Years**

(57) **CLAIM**

The ornamental design for a privacy lock, as shown and described.

(21) Appl. No.: **29/717,028**

DESCRIPTION

(22) Filed: **Dec. 13, 2019**

(51) **LOC (13) Cl.** **08-07**

(52) **U.S. Cl.**
USPC **D8/344**

(58) **Field of Classification Search**
USPC D8/336, 344, 345
CPC E05B 63/0052; E05B 65/5246; E05B 65/5253; E05B 65/5269; E05B 65/5276; E05B 65/48
See application file for complete search history.

FIG. 1 is a perspective view of a privacy lock in the open position;
FIG. 2 is a front view of the privacy lock of FIG. 1;
FIG. 3 is a back view of the privacy lock of FIG. 1;
FIG. 4 is a first side view of the privacy lock of FIG. 1;
FIG. 5 is a second side view of the privacy lock of FIG. 1;
FIG. 6 is a top view of the privacy lock of FIG. 1;
FIG. 7 is a bottom view of the privacy lock of FIG. 1;
FIG. 8 is a perspective view of the privacy lock of FIG. 1 in the closed position; and,
FIG. 9 is a perspective view of the privacy lock of FIG. 1 installed in a door system.

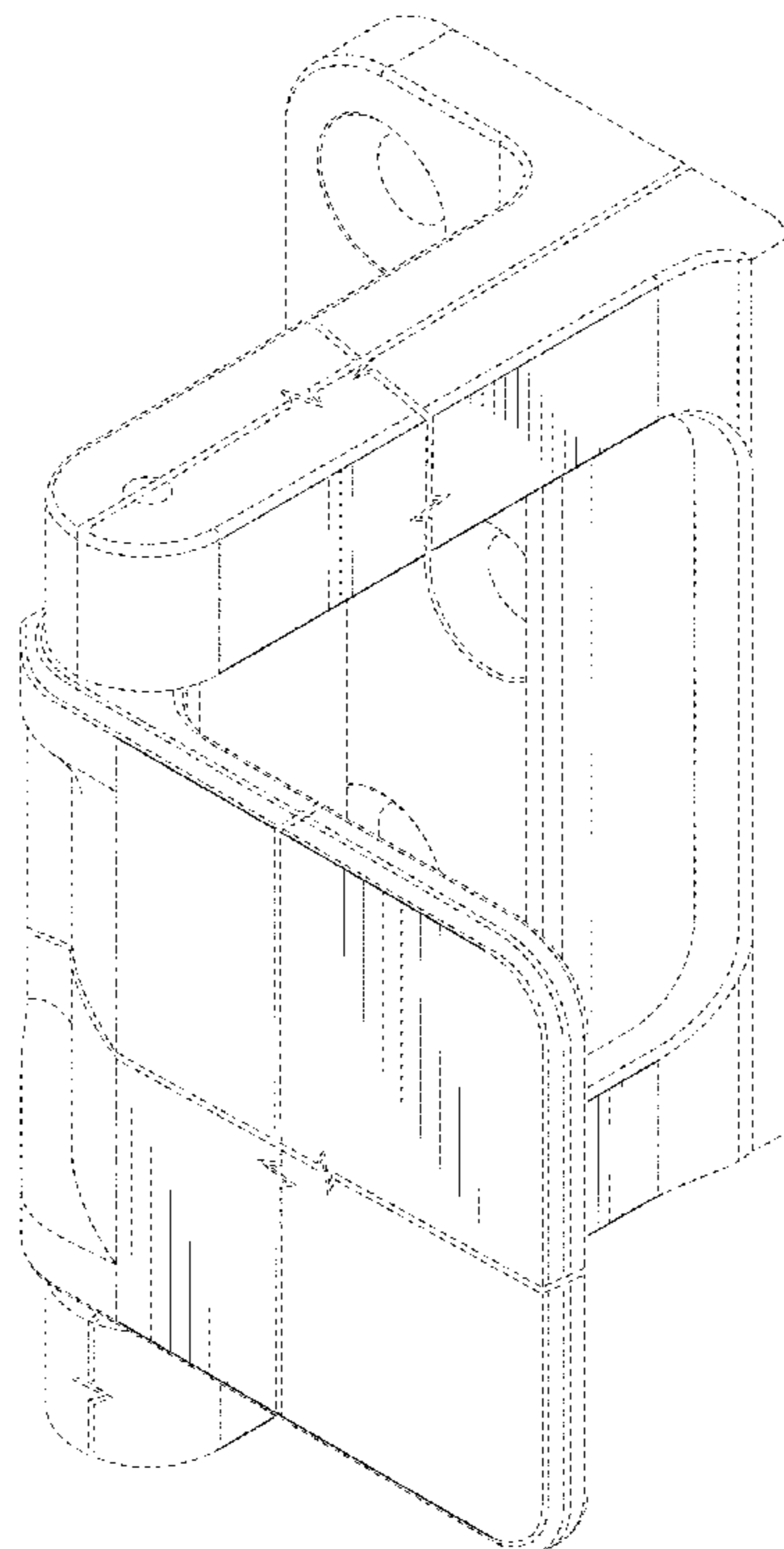
(56) **References Cited**

U.S. PATENT DOCUMENTS

D293,076 S * 12/1987 Stepanian D8/331
D319,964 S * 9/1991 Johns D8/344
D346,107 S * 4/1994 Appelbaum D8/345
D439,826 S * 4/2001 Oddy D8/336
6,708,532 B2 * 3/2004 Winland E05B 67/38
292/DIG. 32

The surface shading, if any, illustrated in the figures is provided merely to highlight the contour of the design; it is not intended to be illustrative of texture or gloss. Broken lines form no part of the claimed design. The broken lines that are immediately adjacent to surface shading define the bounds of the claimed design.

1 Claim, 9 Drawing Sheets



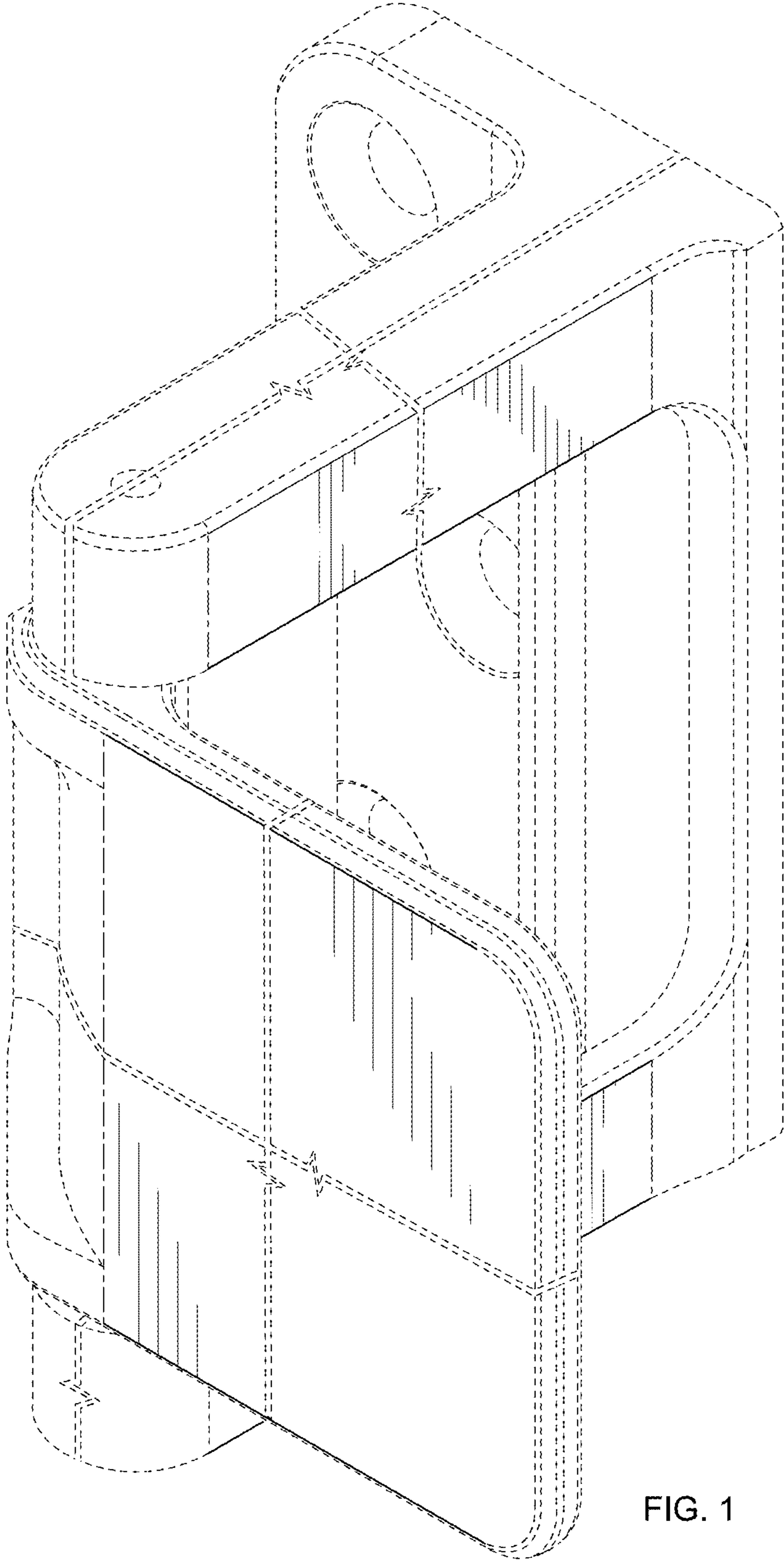


FIG. 1

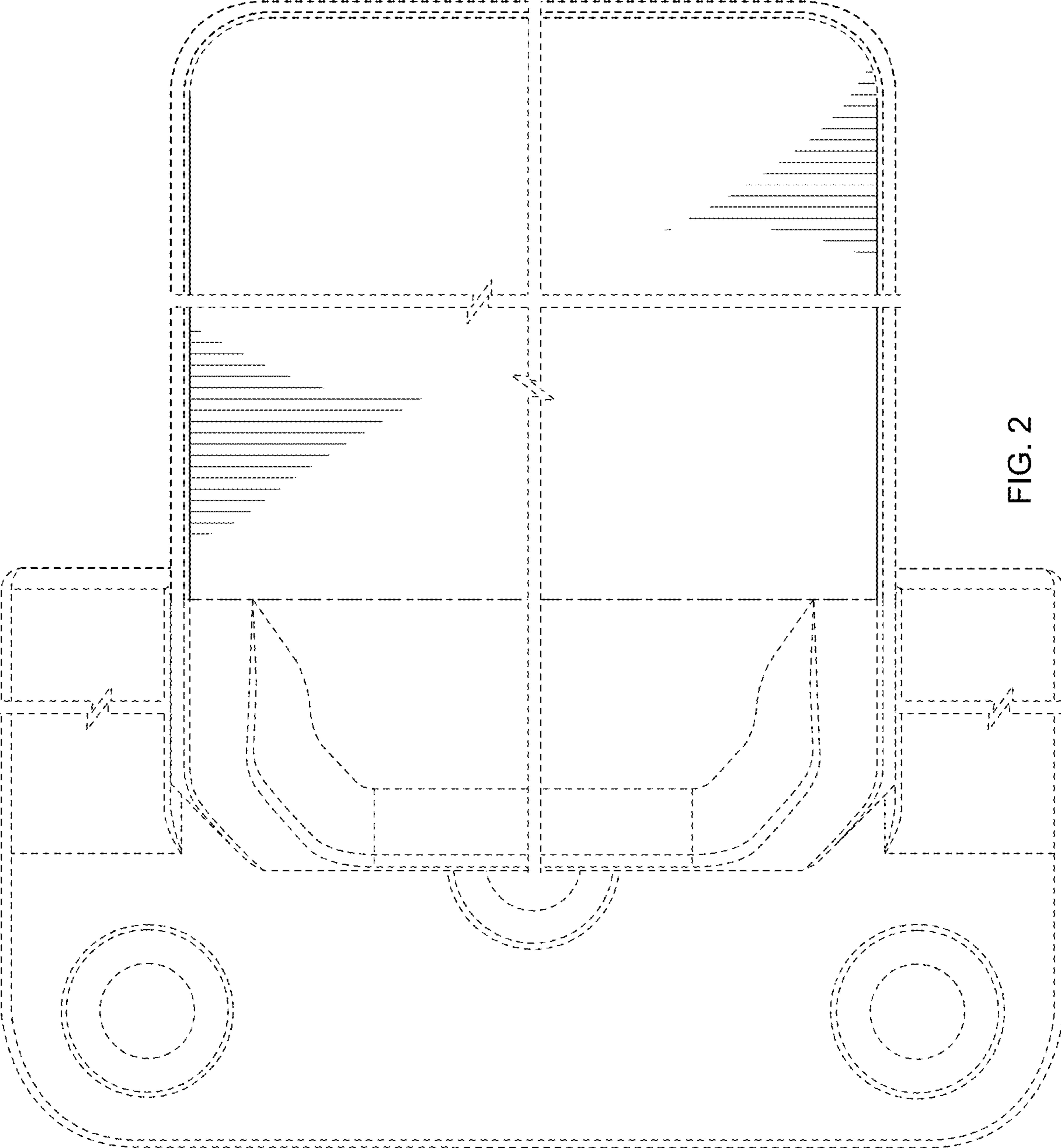


FIG. 2

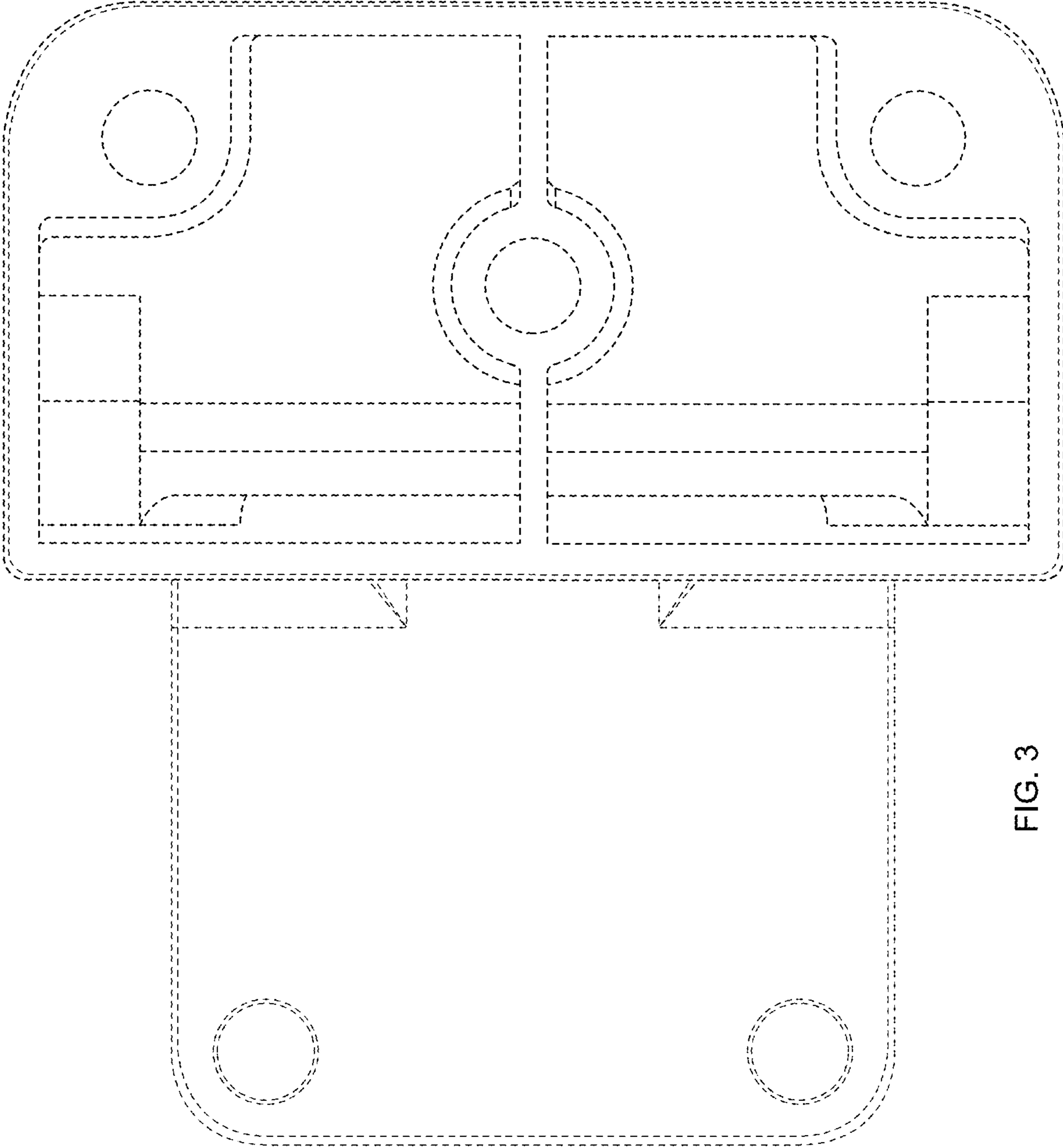


FIG. 3

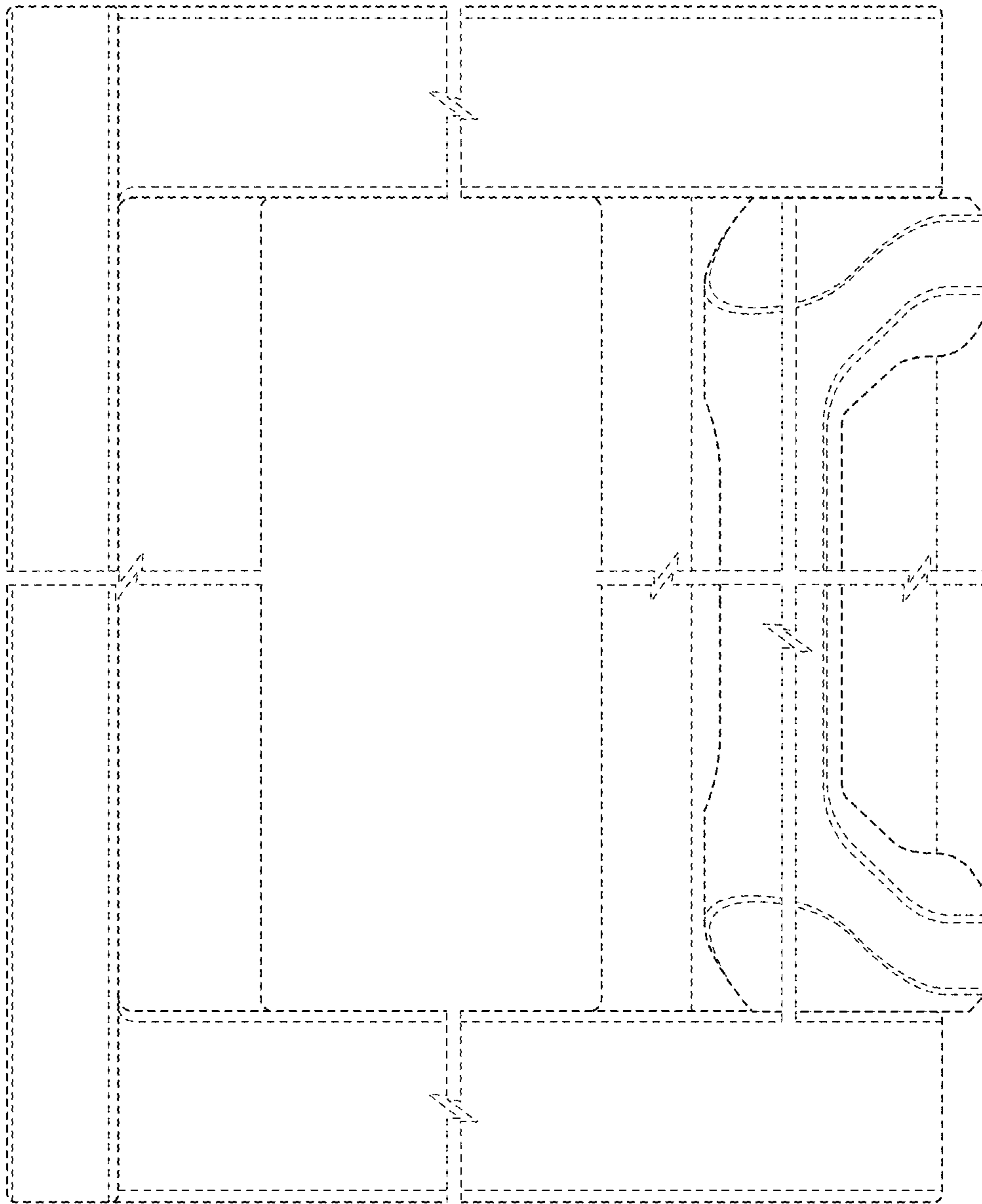


FIG. 4

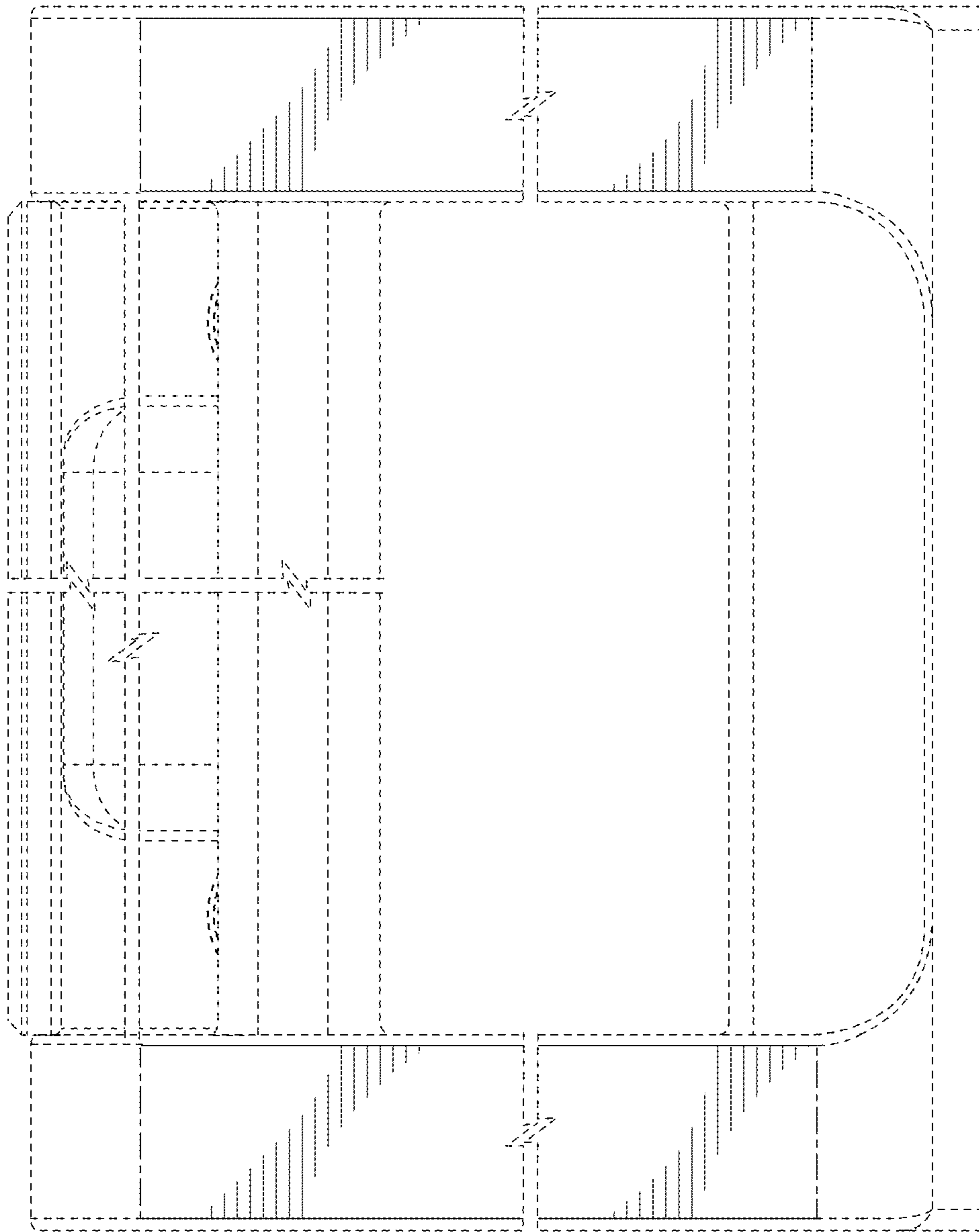


FIG. 5

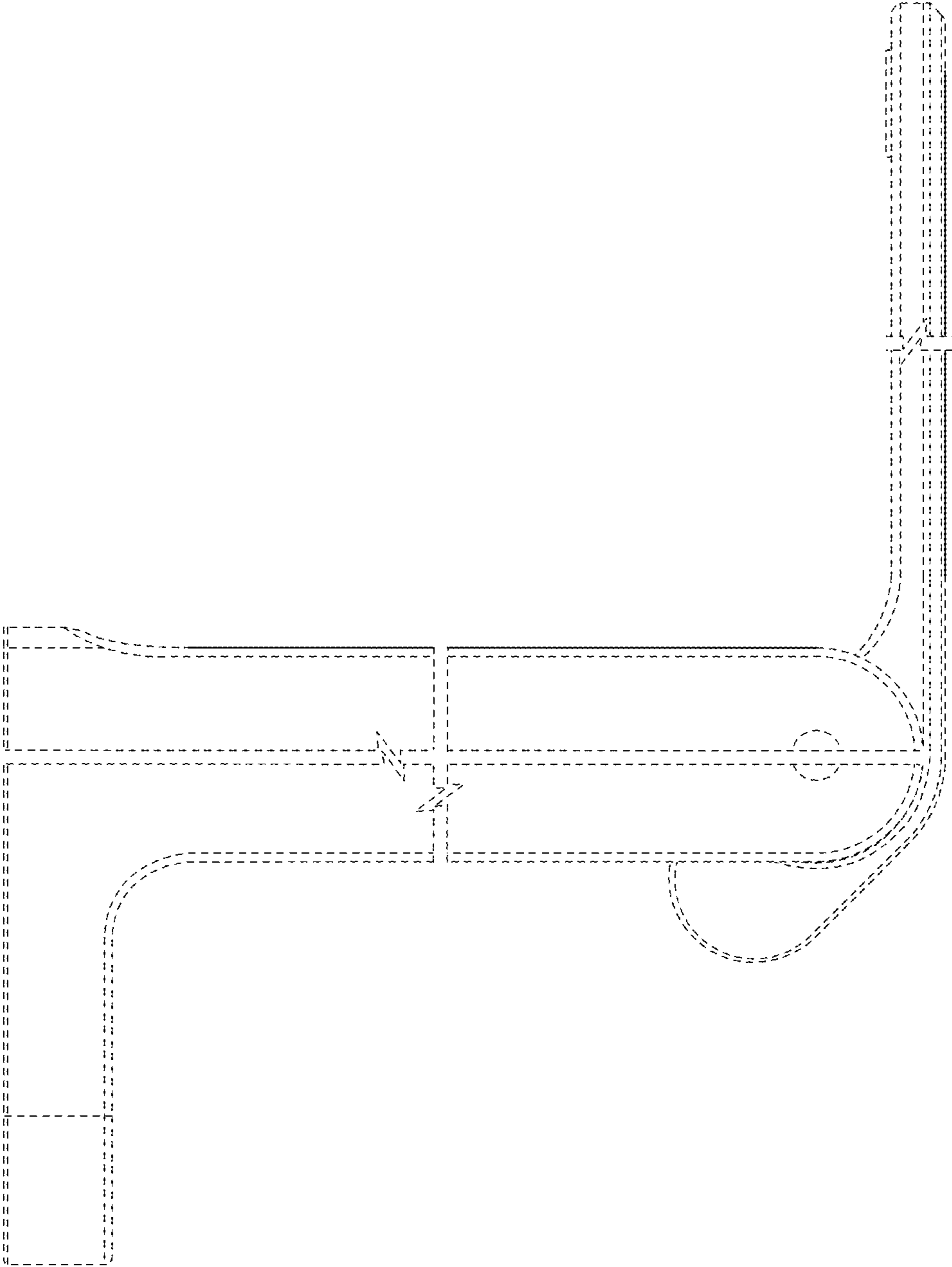


FIG. 6

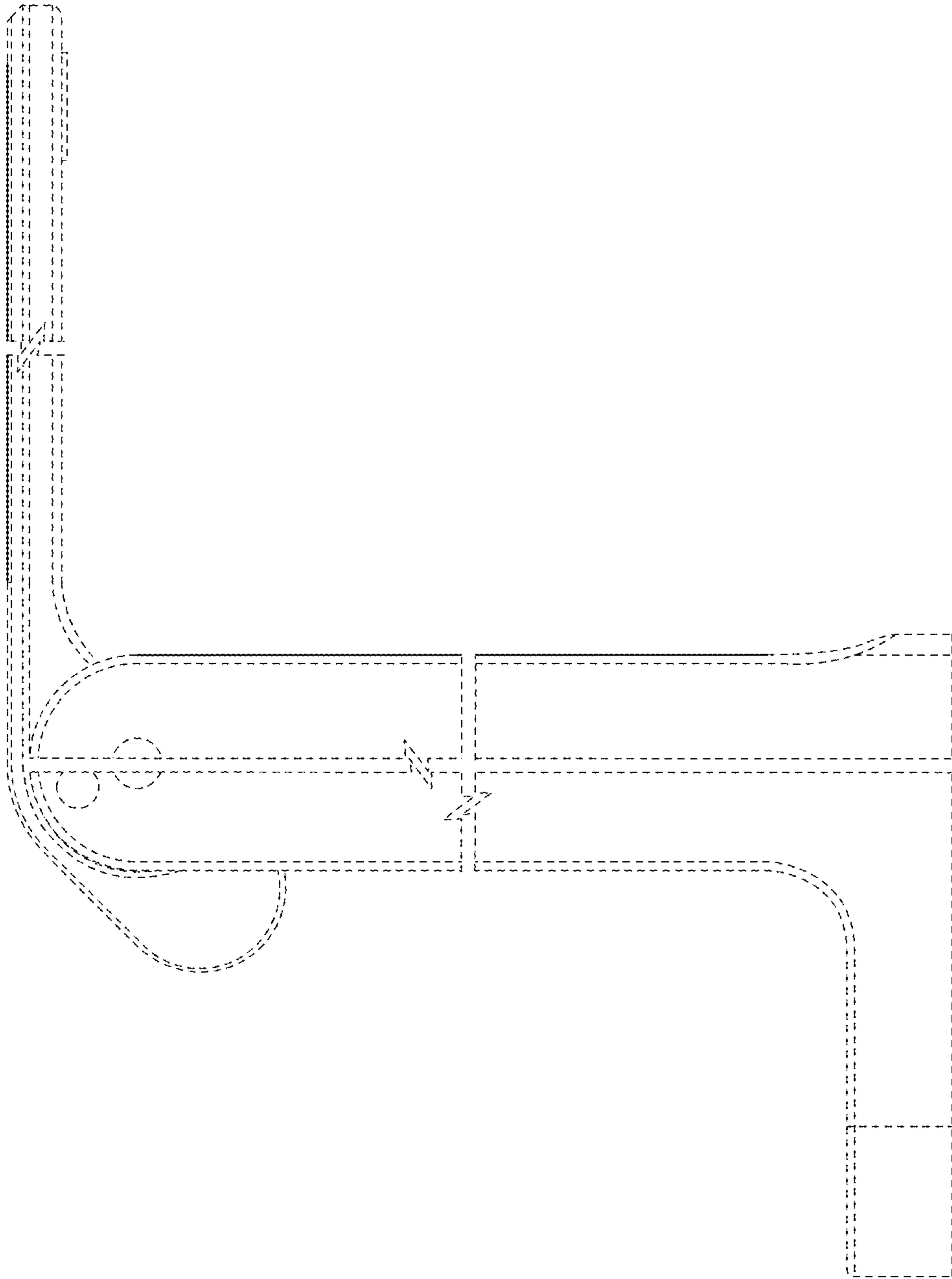


FIG. 7

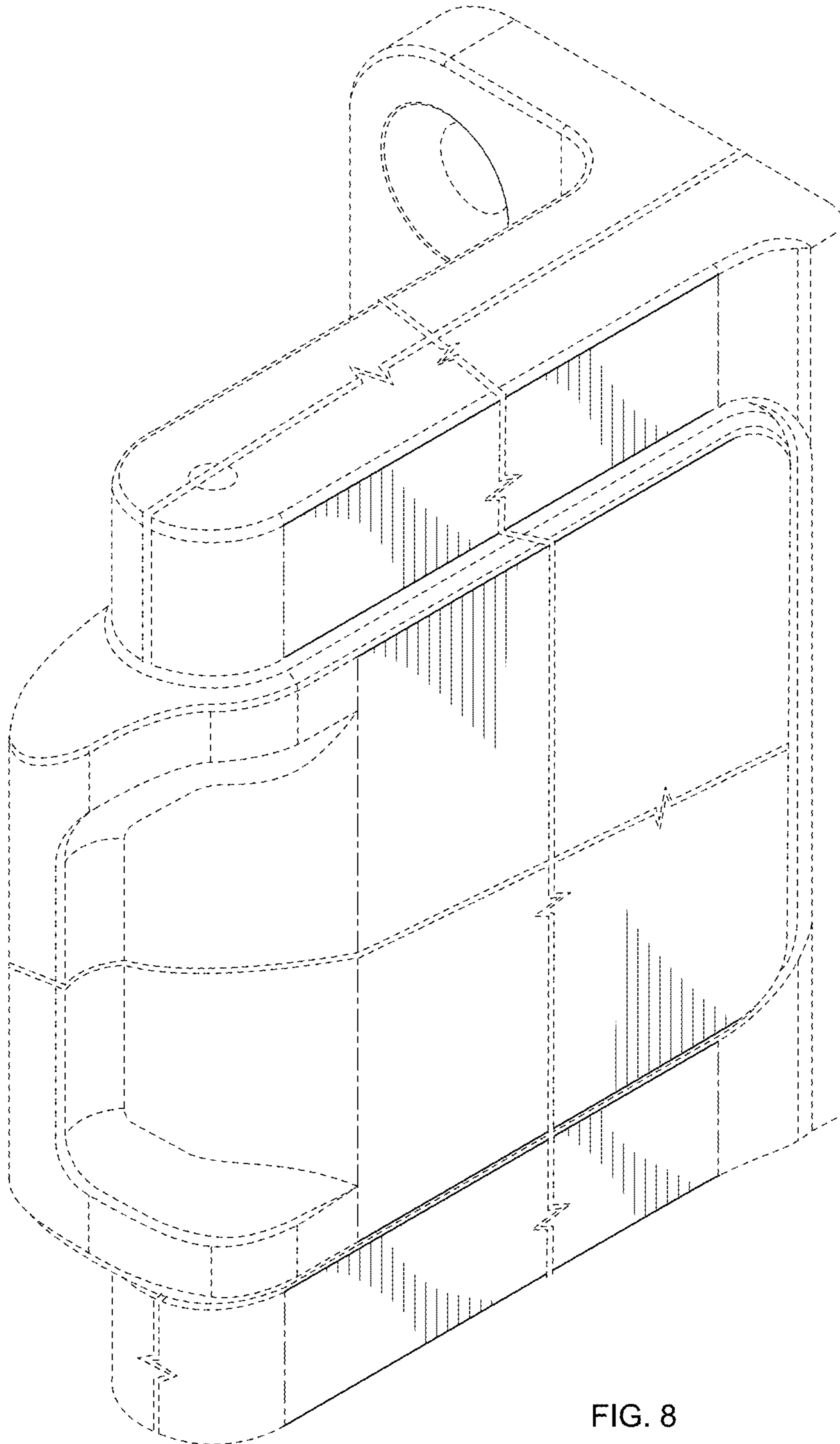


FIG. 8

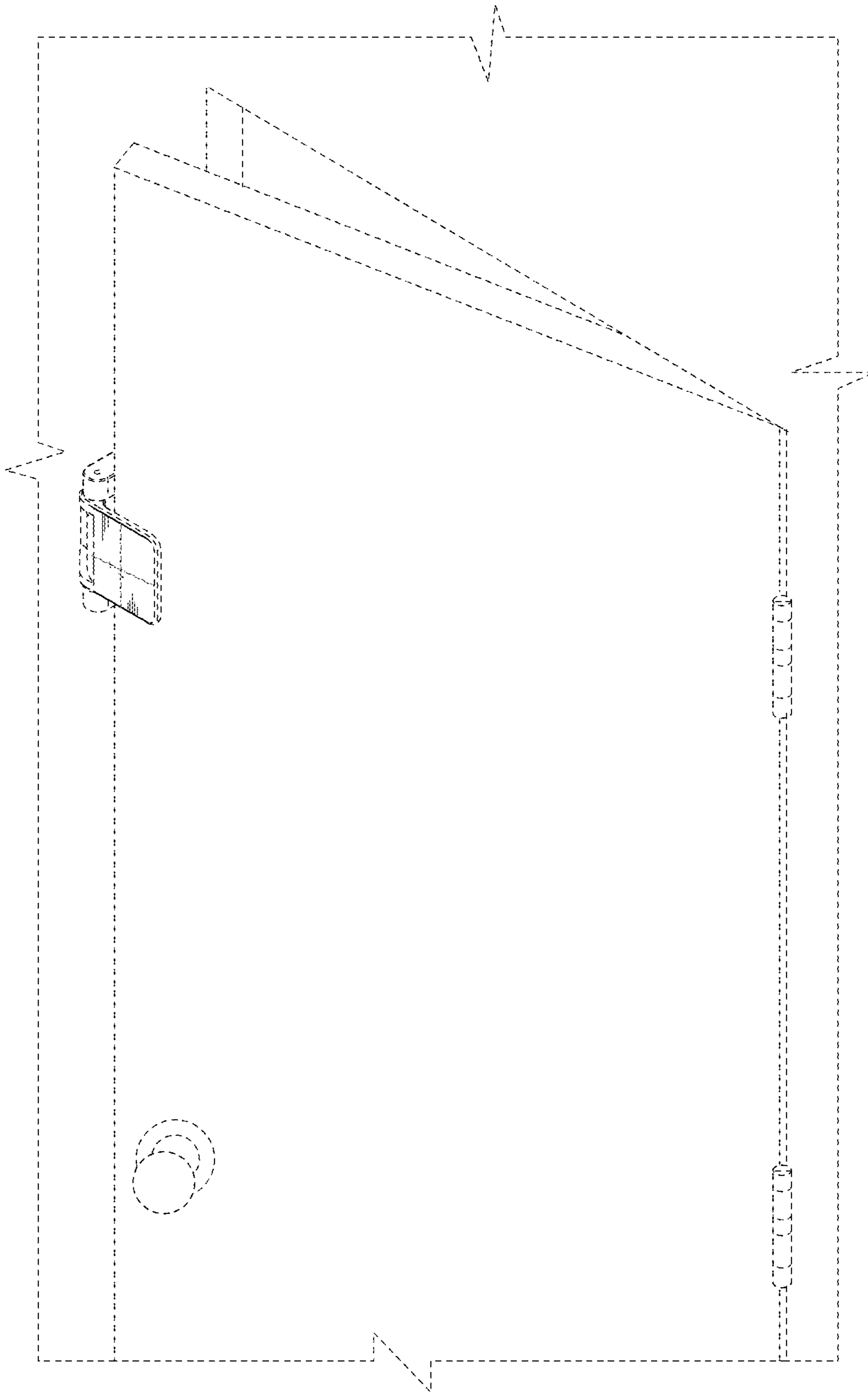


FIG. 9