



US00D943386S

(12) **United States Design Patent** (10) **Patent No.:** **US D943,386 S**
Weng (45) **Date of Patent:** **** Feb. 15, 2022**

(54) **CABINET HANDLE**
(71) Applicant: **Haifeng Weng**, Wenzhou (CN)
(72) Inventor: **Haifeng Weng**, Wenzhou (CN)
(**) Term: **15 Years**
(21) Appl. No.: **29/763,977**
(22) Filed: **Dec. 28, 2020**
(51) **LOC (13) Cl.** **08-06**
(52) **U.S. Cl.**
USPC **D8/315**
(58) **Field of Classification Search**
USPC D8/316, 315, 317, 319, 320, 321, 331,
D8/337, 338, 341
CPC Y10T 16/469; Y10T 16/44; Y10T 16/458;
Y10T 16/498; Y10T 16/476; Y10T
16/459; Y10T 16/466; Y10T 16/4713;
Y10T 16/4644; Y10T 16/513; Y10T
16/509; Y10T 16/473; Y10T 16/462;
Y10T 16/4701
See application file for complete search history.

(56) **References Cited**

U.S. PATENT DOCUMENTS

D549,549 S	8/2007	Mattson et al.	
D550,534 S	9/2007	Jou	
D558,557 S	1/2008	Jou	
D559,074 S	1/2008	Mattson et al.	
D565,925 S	4/2008	Mattson et al.	
D567,625 S	4/2008	Mattson et al.	
D581,769 S	12/2008	Mattson et al.	
D587,981 S	5/2009	Mattson et al.	
D592,037 S	5/2009	Mattson et al.	
D606,839 S *	12/2009	Urquiola	D8/316
D719,008 S *	12/2014	Han	D8/315
D764,833 S *	8/2016	Citterio	D6/549
D779,911 S *	2/2017	Zimmer	D8/316
D780,552 S *	3/2017	Zimmer	D8/316
D821,845 S *	7/2018	Garland	D8/316

D828,140 S *	9/2018	Garland	D8/316
D867,101 S	11/2019	Minale	
D879,585 S *	3/2020	Bunn	D8/316
D889,243 S *	7/2020	Eads	D8/316
D911,741 S *	3/2021	Lazarini	D6/549
D914,855 S *	3/2021	Yin	D23/305
2018/0002958 A1 *	1/2018	Mironchuk	E05D 3/02

OTHER PUBLICATIONS

www.amazon.com, Berenson Drawer Pulls, Jan. 19, 2021, https://www.amazon.com/dp/B08TC8LKQX/ref=sbl_dp_x_B0734V44YW_0 (Year: 2021).*
www.amazon.com, Homidy Drawer Pulls, Jun. 23, 2017, https://www.amazon.com/Tools-and-Home-Improvement/b/ref=dp_bc_aui_C_1?ie=UTF8&node=228013 (HOMIDY) (Year: 2017).*

* cited by examiner

Primary Examiner — Keli L Hill
Assistant Examiner — Harold E Blackwell, II
(74) *Attorney, Agent, or Firm* — Rumit Ranjit Kanakia

(57) **CLAIM**

The ornamental design for a cabinet handle, as shown and described.

DESCRIPTION

FIG. 1 is a front elevational view of a cabinet handle showing my new design;
FIG. 2 is a rear elevational view thereof;
FIG. 3 is a left elevational view thereof;
FIG. 4 is a right side view thereof;
FIG. 5 is a top side view thereof;
FIG. 6 is a bottom plan view thereof; and,
FIG. 7 is a perspective view of a cabinet handle showing my new design.

The broken lines in the drawings illustrate portions of a cabinet handle which form no part of the claimed design.

1 Claim, 4 Drawing Sheets

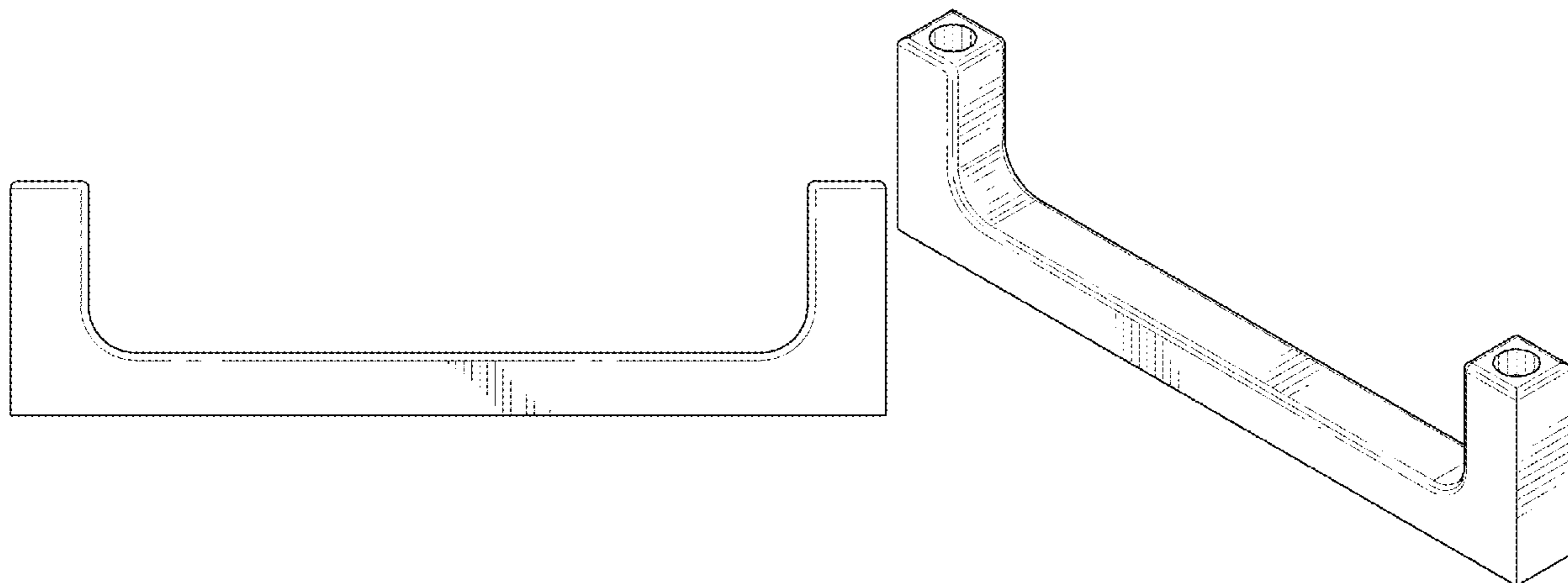




Fig. 1

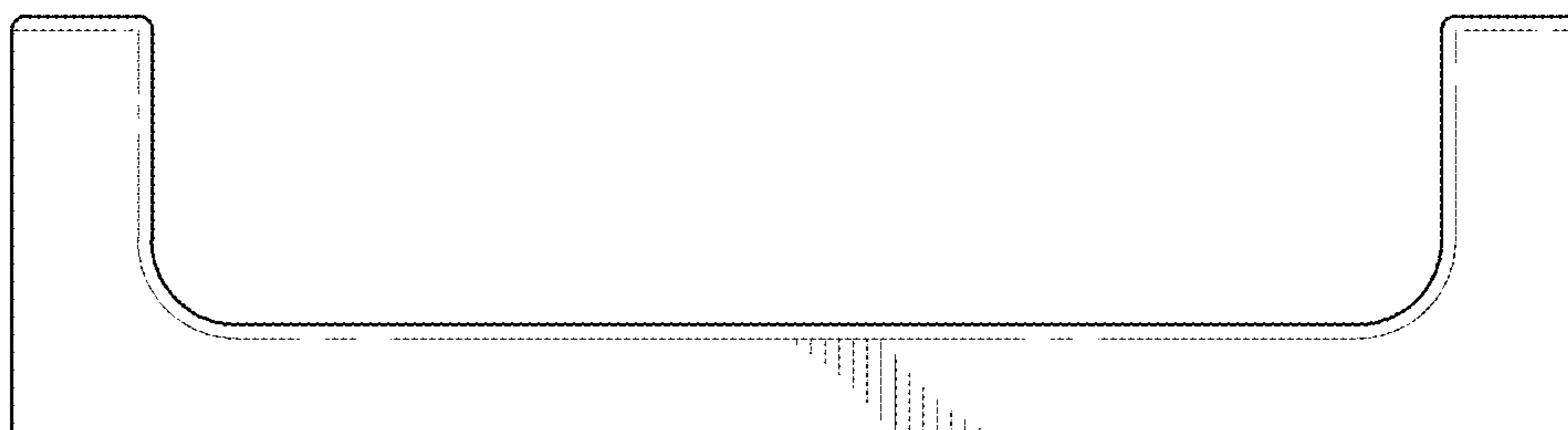


Fig. 2

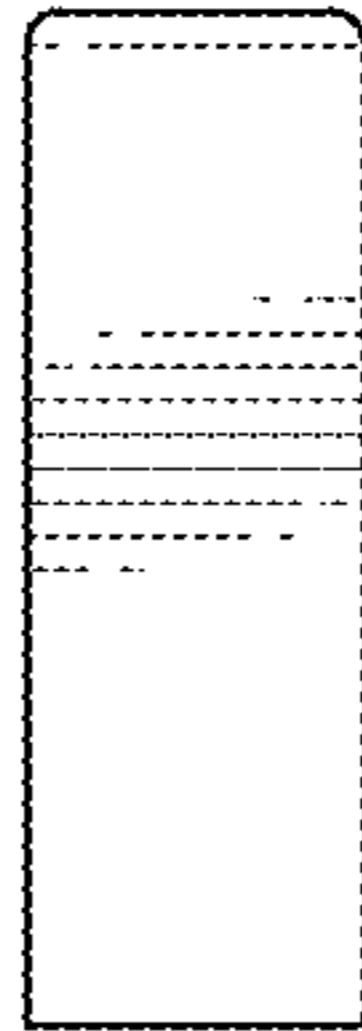


Fig. 3

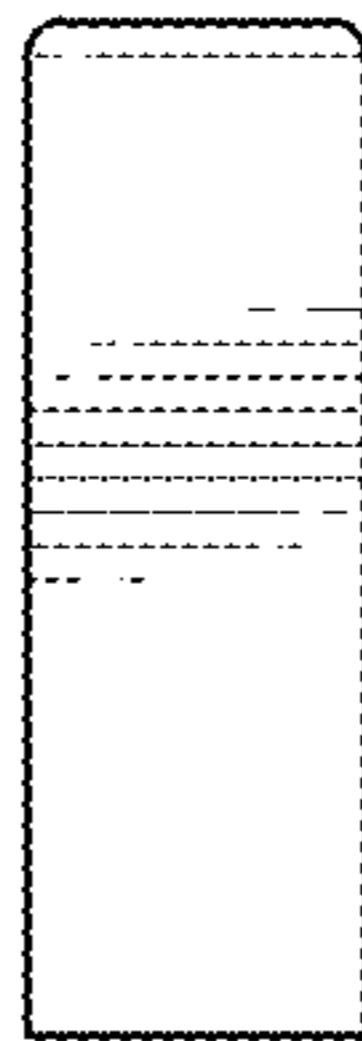


Fig. 4

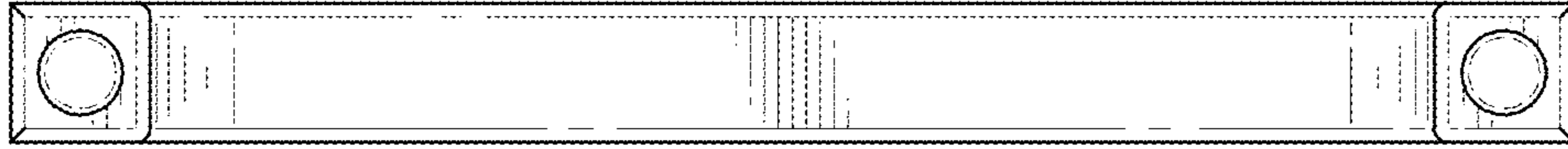


Fig. 5



Fig. 6

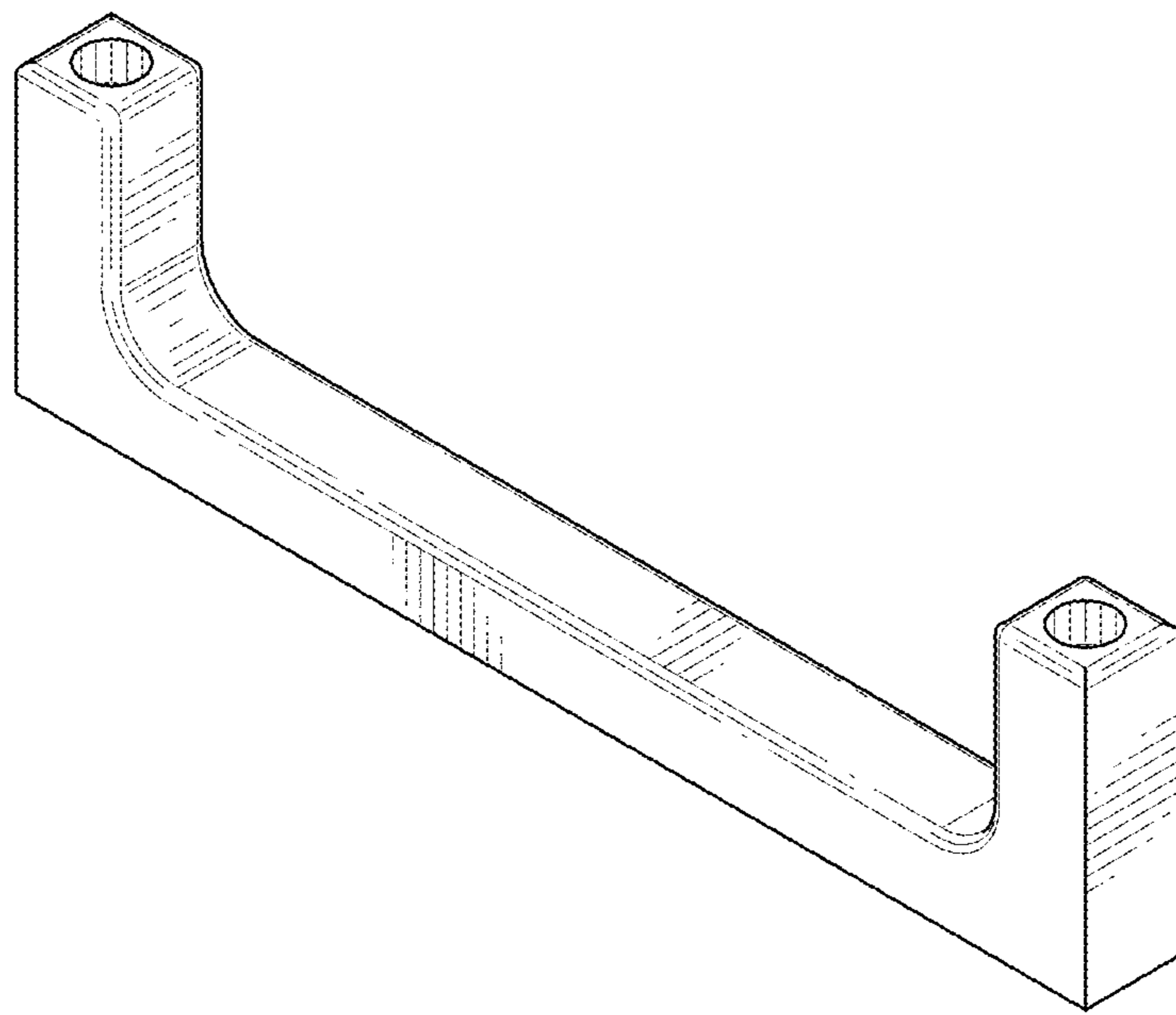


Fig.7