



US00D943383S

(12) **United States Design Patent** (10) **Patent No.:** **US D943,383 S**  
**Xu** (45) **Date of Patent:** **\*\* Feb. 15, 2022**

(54) **WOODWORKING EDGE PLANE**  
(71) Applicant: **Kun Xu**, Zhejiang (CN)  
(72) Inventor: **Kun Xu**, Zhejiang (CN)  
(\*\*) Term: **15 Years**  
(21) Appl. No.: **29/775,901**  
(22) Filed: **Mar. 25, 2021**  
(51) **LOC (13) Cl.** ..... **08-03**  
(52) **U.S. Cl.**  
USPC ..... **D8/101**  
(58) **Field of Classification Search**  
USPC ..... D8/81, 105, 55, 101  
CPC .. B25F 1/006; B25F 1/02; B25F 1/003; B25F  
1/04; B27C 1/10  
See application file for complete search history.

(56) **References Cited**  
**U.S. PATENT DOCUMENTS**  
D258,261 S \* 2/1981 Hayes ..... 30/478  
D277,641 S \* 2/1985 Hayes ..... D8/101  
D281,857 S \* 12/1985 Groves ..... D8/101  
D506,663 S \* 6/2005 Biller ..... D25/125  
D836,688 S 12/2018 Chang  
D870,574 S 12/2019 O'Halloran  
D883,064 S \* 5/2020 Aninion ..... D8/105

**OTHER PUBLICATIONS**  
Kouqiya Chamfer Plane for Wood published by Amazon on May 26, 2021; <[https://www.amazon.com/Woodworking-Flattening-Woodwork-Chamfering-Carpenter/dp/B08TLWBJ19/ref=zg\\_bs\\_21213620011\\_33?\\_encoding=UTF8&psc=1&refRID=AD7FYDFQAXTWE9BR1HBZ](https://www.amazon.com/Woodworking-Flattening-Woodwork-Chamfering-Carpenter/dp/B08TLWBJ19/ref=zg_bs_21213620011_33?_encoding=UTF8&psc=1&refRID=AD7FYDFQAXTWE9BR1HBZ)> (Year: 2021).\*

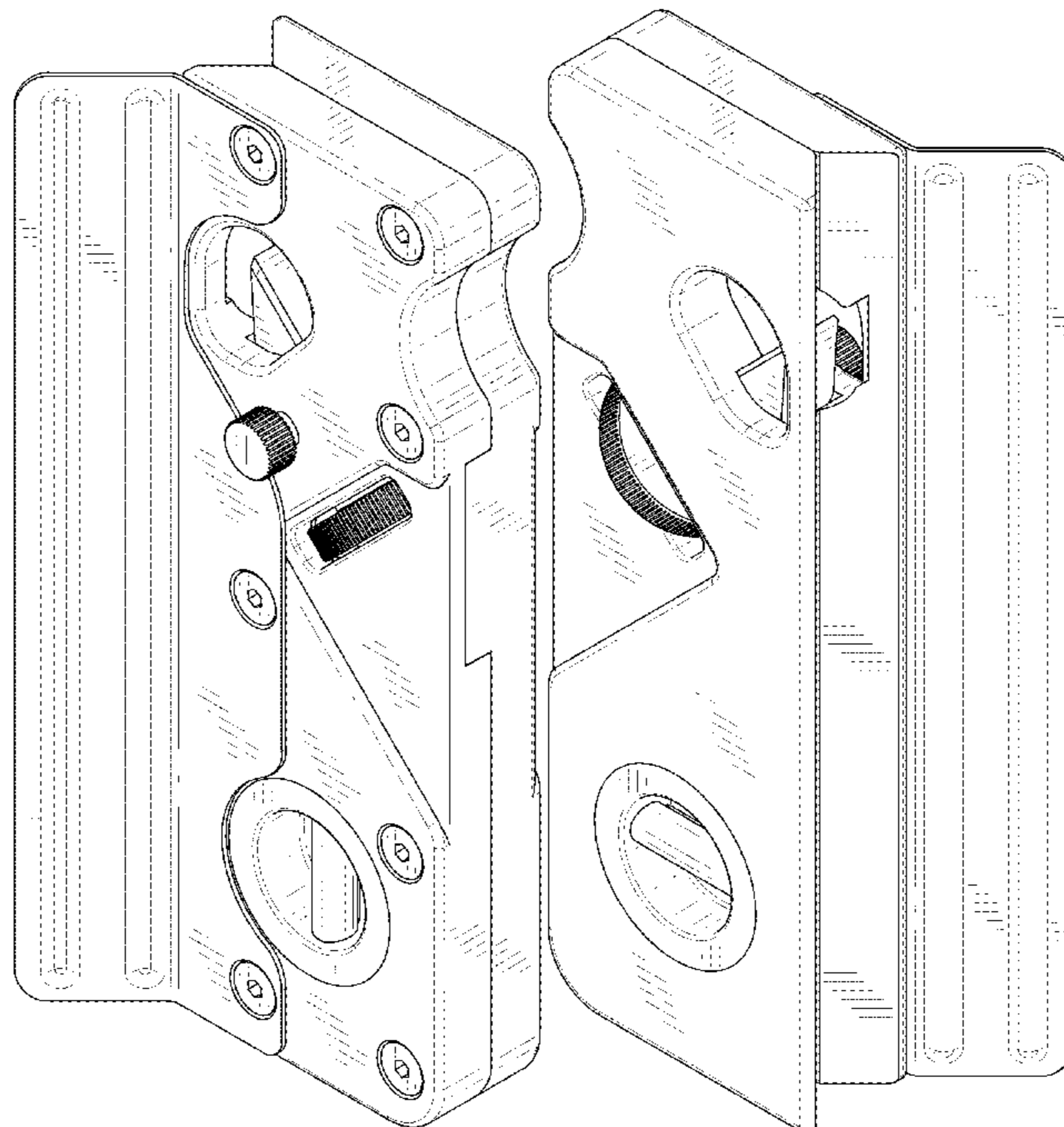
Saker Chamfer Plane published by Amazon on Apr. 3, 2021; <[https://www.amazon.com/Saker-Woodworking-Flattening-Auxiliary-Chamfering/dp/B091MVLNHV/ref=zg\\_bs\\_21213620011\\_2?\\_encoding=UTF8&refRID=AD7FYDFQAXTWE9BR1HBZ&th=1](https://www.amazon.com/Saker-Woodworking-Flattening-Auxiliary-Chamfering/dp/B091MVLNHV/ref=zg_bs_21213620011_2?_encoding=UTF8&refRID=AD7FYDFQAXTWE9BR1HBZ&th=1)> (Year: 2021).\*  
Onkel.J Chamfer Plane by Amazon on Apr. 27, 2021; <[https://www.amazon.com/dp/B093KF98F7/ref=sspa\\_dk\\_detail\\_0?psc=1&pd\\_rd\\_i=B093KF98F7&pd\\_rd\\_w=Vxfbk&pf\\_rd\\_p=54ed5474-54a8-4c7f-a88a-45f748d18166&pd\\_rd\\_wg=5cJ6o&pf\\_rd\\_r=3C9PZBQ0V12WQVHJ46V9&pd\\_rd\\_r=5d8cd405-0399-4d52-91a0-7fcd4a35e01e&spLa](https://www.amazon.com/dp/B093KF98F7/ref=sspa_dk_detail_0?psc=1&pd_rd_i=B093KF98F7&pd_rd_w=Vxfbk&pf_rd_p=54ed5474-54a8-4c7f-a88a-45f748d18166&pd_rd_wg=5cJ6o&pf_rd_r=3C9PZBQ0V12WQVHJ46V9&pd_rd_r=5d8cd405-0399-4d52-91a0-7fcd4a35e01e&spLa)> (Year: 2021).\*  
NXqilixiang Portable Chamfer Plane by Amazon.com on Oct. 13, 2021; <[https://www.amazon.com/Portable-Woodworking-Flattening-Trimming-Chamfering/dp/B09JC75DZV/ref=asc\\_df\\_B092D26GWZ/?tag=hyprod-20&linkCode=df0&hvadid=507656639722&hvpos=&hvnetw=g&hvrnd=8118417589735116054&hvpone=&hvptwo=&hvqm](https://www.amazon.com/Portable-Woodworking-Flattening-Trimming-Chamfering/dp/B09JC75DZV/ref=asc_df_B092D26GWZ/?tag=hyprod-20&linkCode=df0&hvadid=507656639722&hvpos=&hvnetw=g&hvrnd=8118417589735116054&hvpone=&hvptwo=&hvqm)> (Year: 2021).\*

\* cited by examiner  
*Primary Examiner* — Janice Hallmark  
(74) *Attorney, Agent, or Firm* — ScienBiziP, P.C.

(57) **CLAIM**  
The ornamental design for a woodworking edge plane, as shown and described.

**DESCRIPTION**  
FIG. 1 is a front, right, and top perspective view of a woodworking edge plane, showing my design.  
FIG. 2 is a rear, left, and top perspective view thereof.  
FIG. 3 is a front elevation view thereof.  
FIG. 4 is a rear elevation view thereof.  
FIG. 5 is a left side elevation view thereof.  
FIG. 6 is a right side elevation view thereof.  
FIG. 7 is a top plan view thereof; and,  
FIG. 8 is a bottom plan view thereof.

**1 Claim, 8 Drawing Sheets**



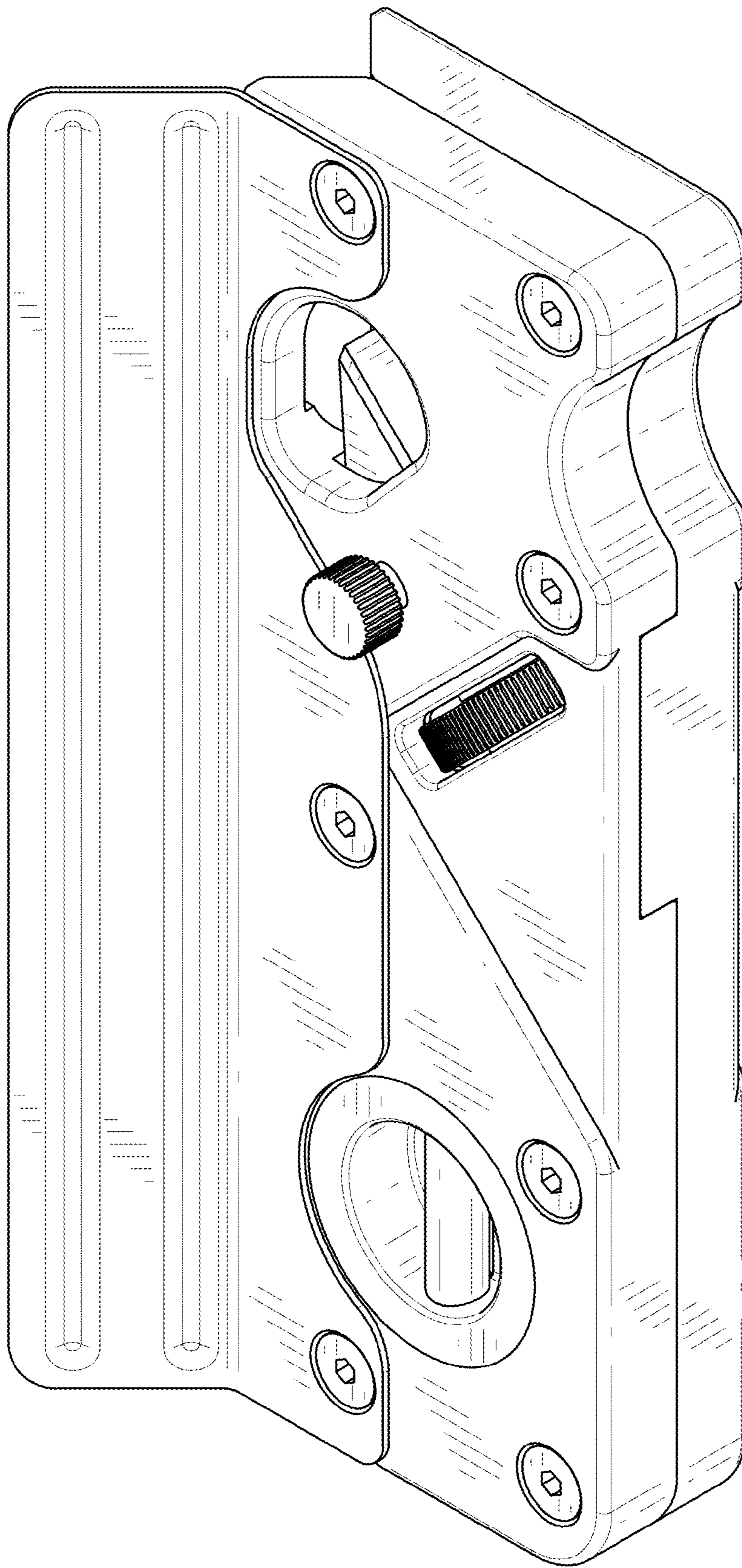


FIG.1



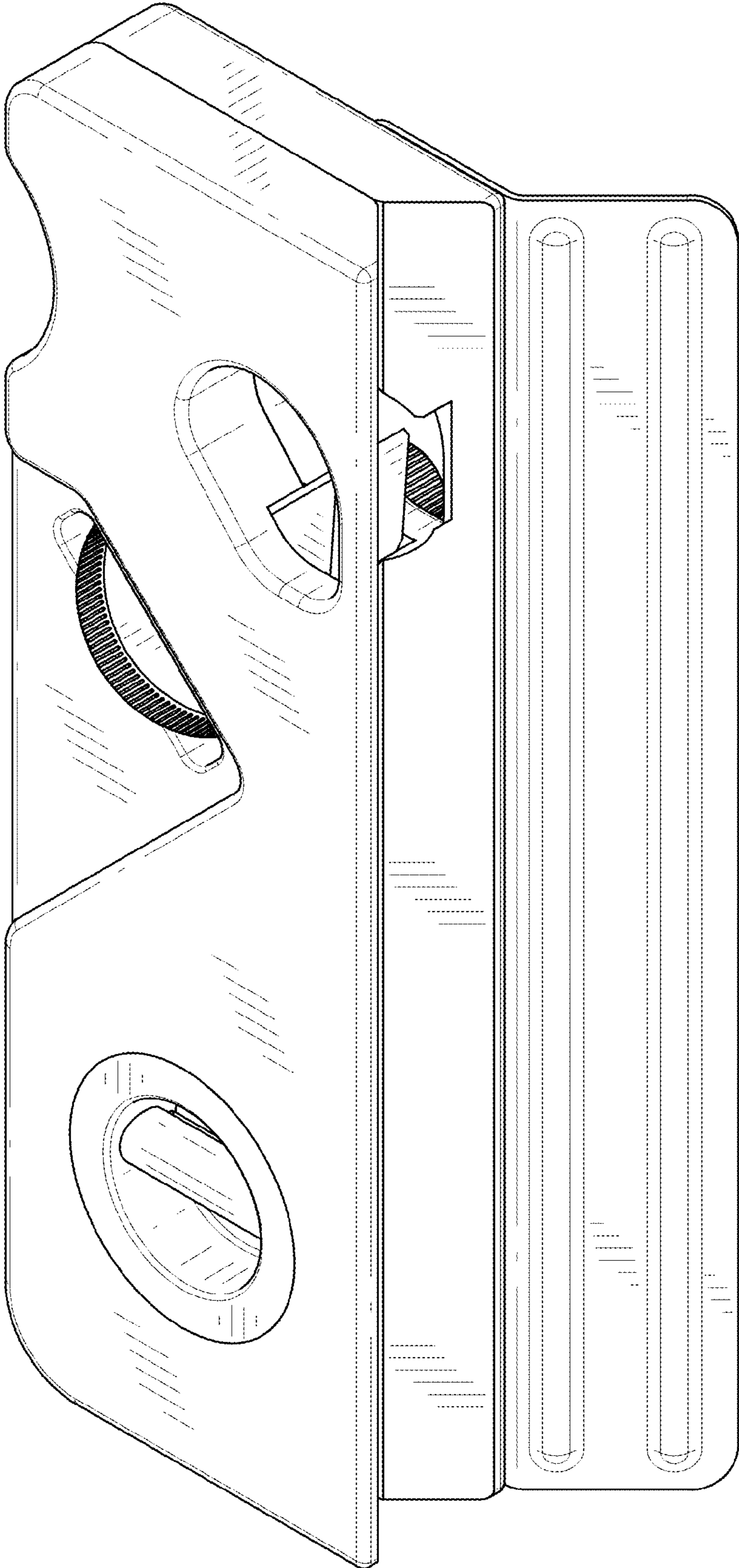


FIG.2

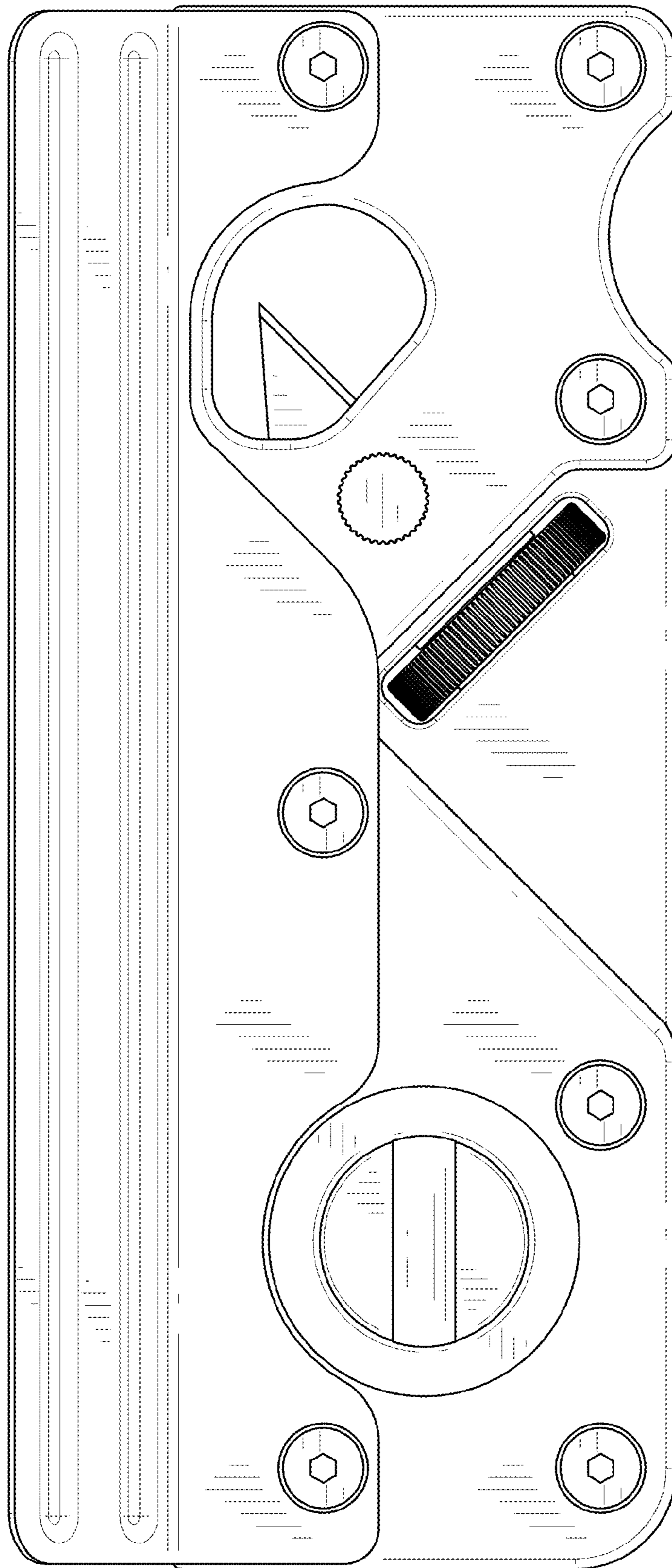


FIG.3

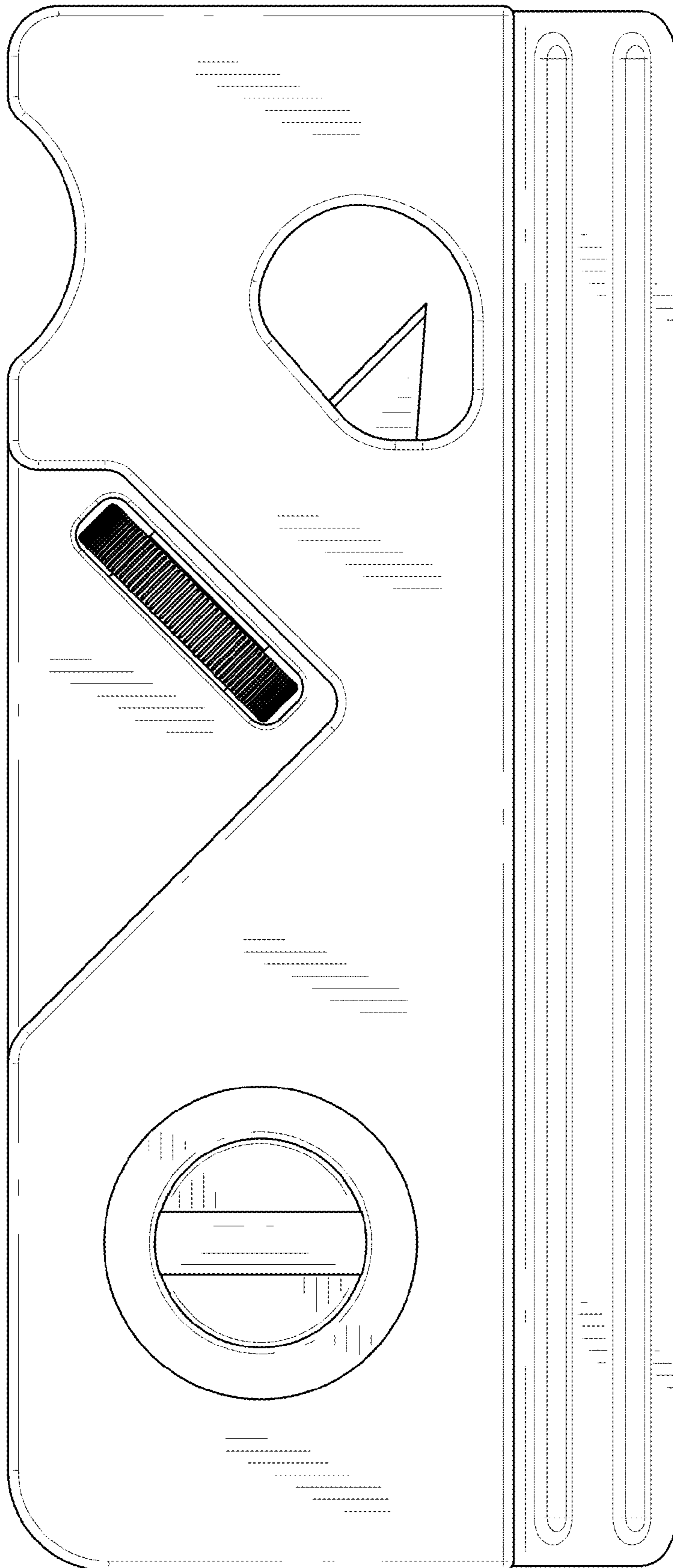


FIG.4

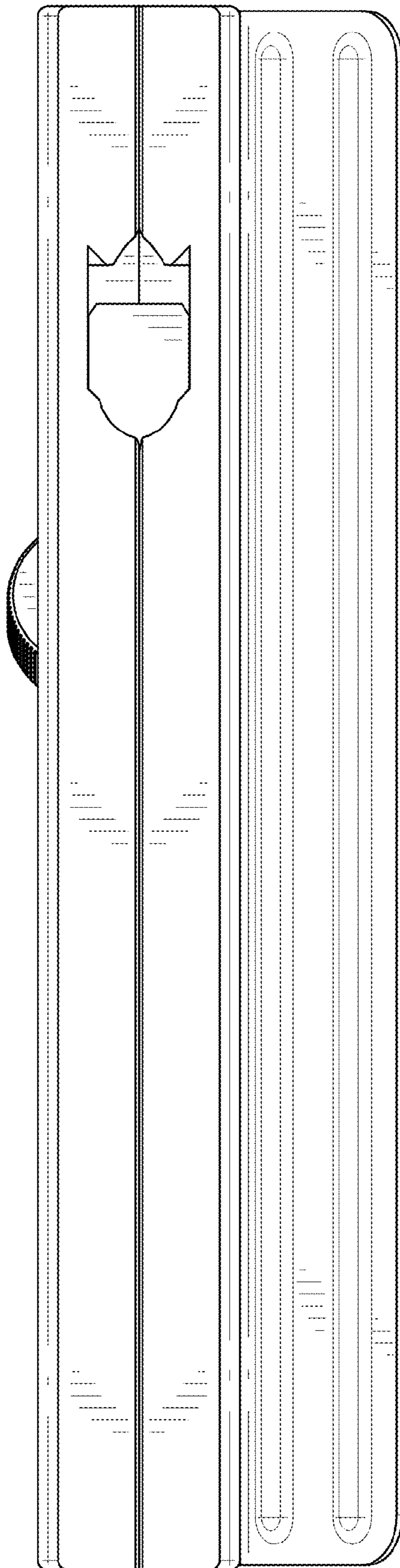


FIG.5



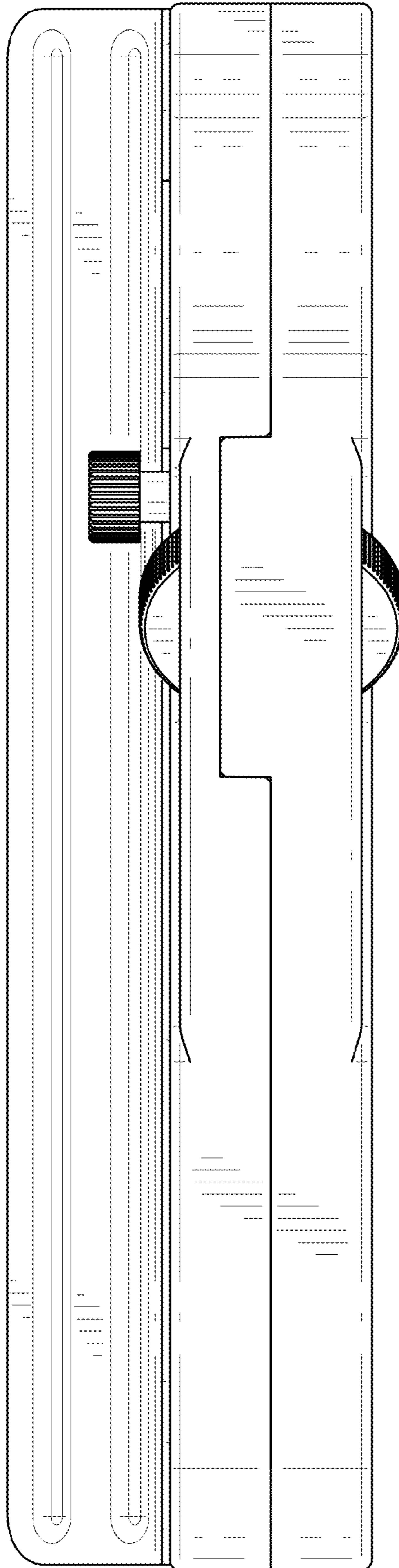


FIG.6

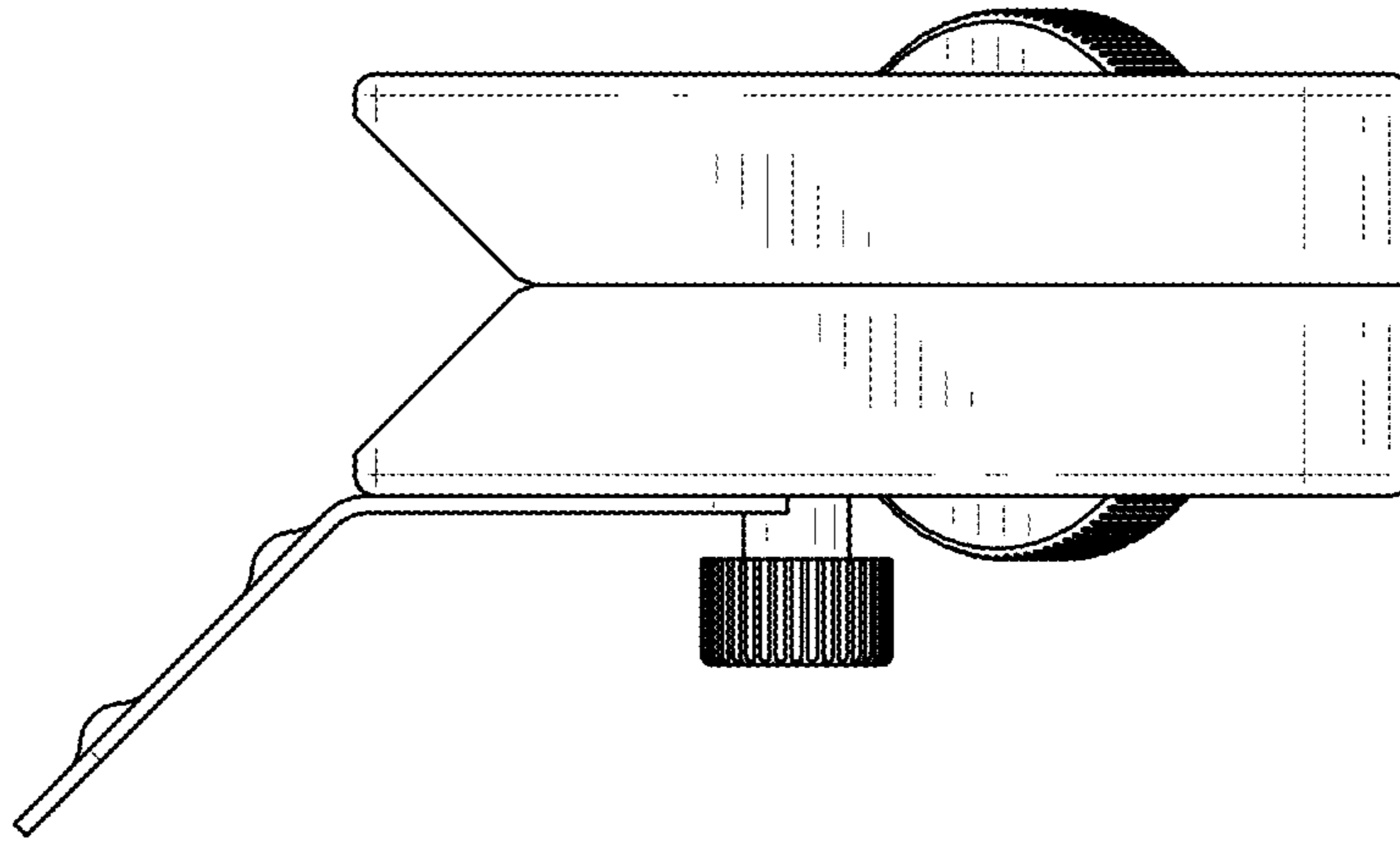


FIG. 7



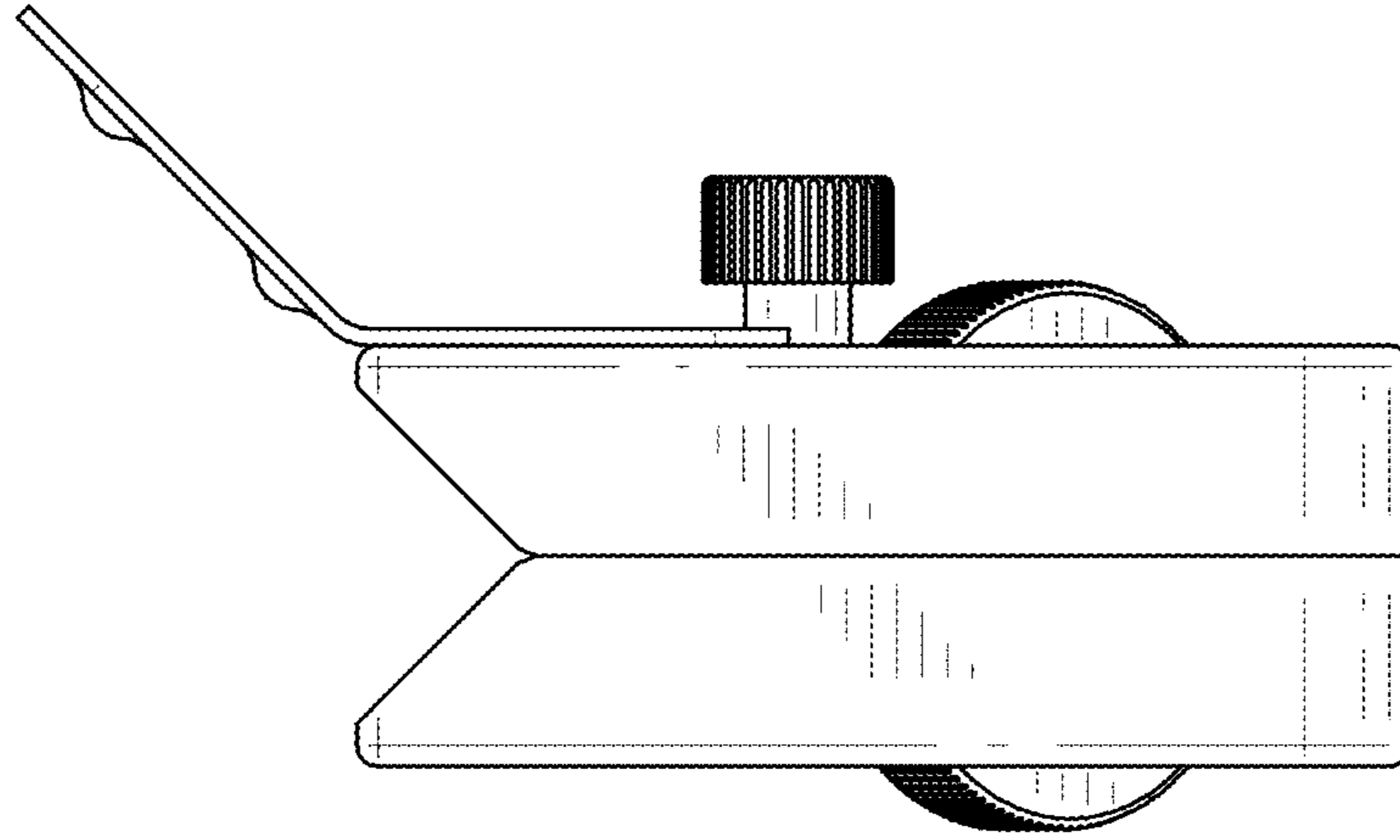


FIG.8