



US00D943382S

(12) **United States Design Patent**
Kelley

(10) **Patent No.:** **US D943,382 S**

(45) **Date of Patent:** **** Feb. 15, 2022**

(54) **SIX-HOLE HALF CYLINDER CLAMP**

(71) Applicant: **Mark A. Kelley**, Hahira, GA (US)

(72) Inventor: **Mark A. Kelley**, Hahira, GA (US)

(**) Term: **15 Years**

(21) Appl. No.: **29/761,963**

(22) Filed: **Dec. 14, 2020**

(51) **LOC (13) Cl.** **08-05**

(52) **U.S. Cl.**

USPC **D8/73**

(58) **Field of Classification Search**

USPC D8/71-74, 394-399, 59; 248/63, 72,
248/74.1, 689, 124.2; 81/487, 385, 386,
81/388-390; 269/3, 4, 6, 143, 165, 240,
269/243, 246-249, 254 R, 147-149;
29/256, 257, 276; 408/103, 104-109

CPC B25B 1/00; B25B 5/00

See application file for complete search history.

(56) **References Cited**

U.S. PATENT DOCUMENTS

- D789,779 S * 6/2017 Asai B60R 16/0215
D8/396
- 9,687,979 B2 * 6/2017 Dudey F16M 13/02
- D829,090 S * 9/2018 Toll D8/396
- D858,242 S * 9/2019 Lund D8/72

- D871,188 S * 12/2019 Kovacs D8/99
- D892,606 S * 8/2020 Sullivan D8/394
- D892,607 S * 8/2020 Boscarello D8/394
- D931,095 S * 9/2021 Kovacs D8/397
- D933,467 S * 10/2021 Von Fange D8/396
- D934,515 S * 10/2021 Wendling D30/199
- 2012/0256415 A1 * 10/2012 Dole F16L 17/04
285/337
- 2016/0278589 A1 * 9/2016 Reed F16M 13/02
- 2018/0163906 A1 * 6/2018 Ohnemus F16L 21/065

* cited by examiner

Primary Examiner — David G Muller

(74) *Attorney, Agent, or Firm* — Withers & Keys, LLC

(57) **CLAIM**

The ornamental design for a six-hole half cylinder clamp, as shown and described.

DESCRIPTION

FIG. 1 is a perspective view of a six-hole half cylinder clamp showing my new design;

FIG. 2 is a left-side view thereof;

FIG. 3 is a right-side view thereof;

FIG. 4 is front view thereof;

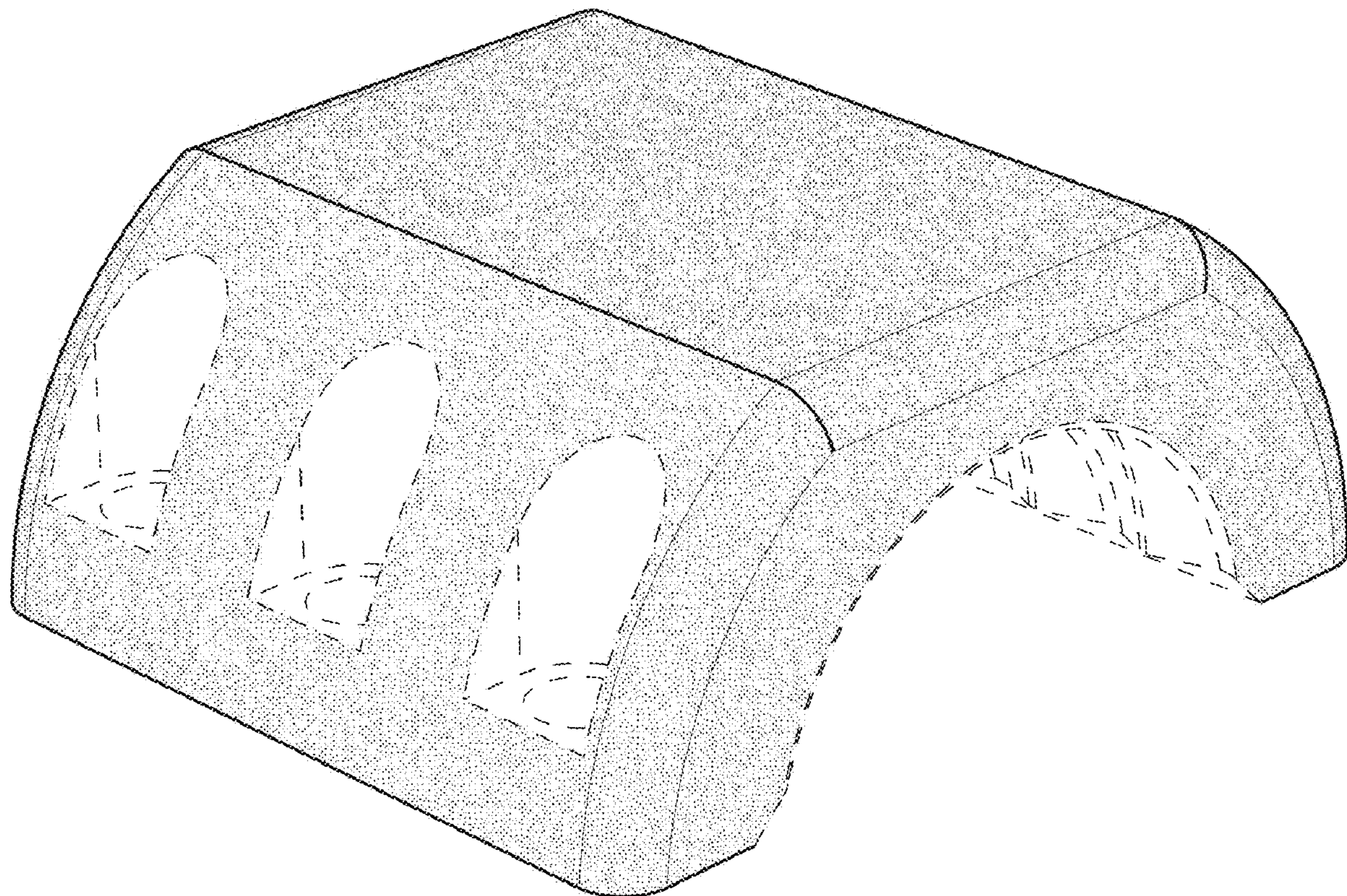
FIG. 5 is a rear view thereof;

FIG. 6 is a top view thereof; and,

FIG. 7 is a bottom view thereof.

The broken lines illustrate portions of the six-hole half cylinder clamp that form no part of the claimed design.

1 Claim, 7 Drawing Sheets



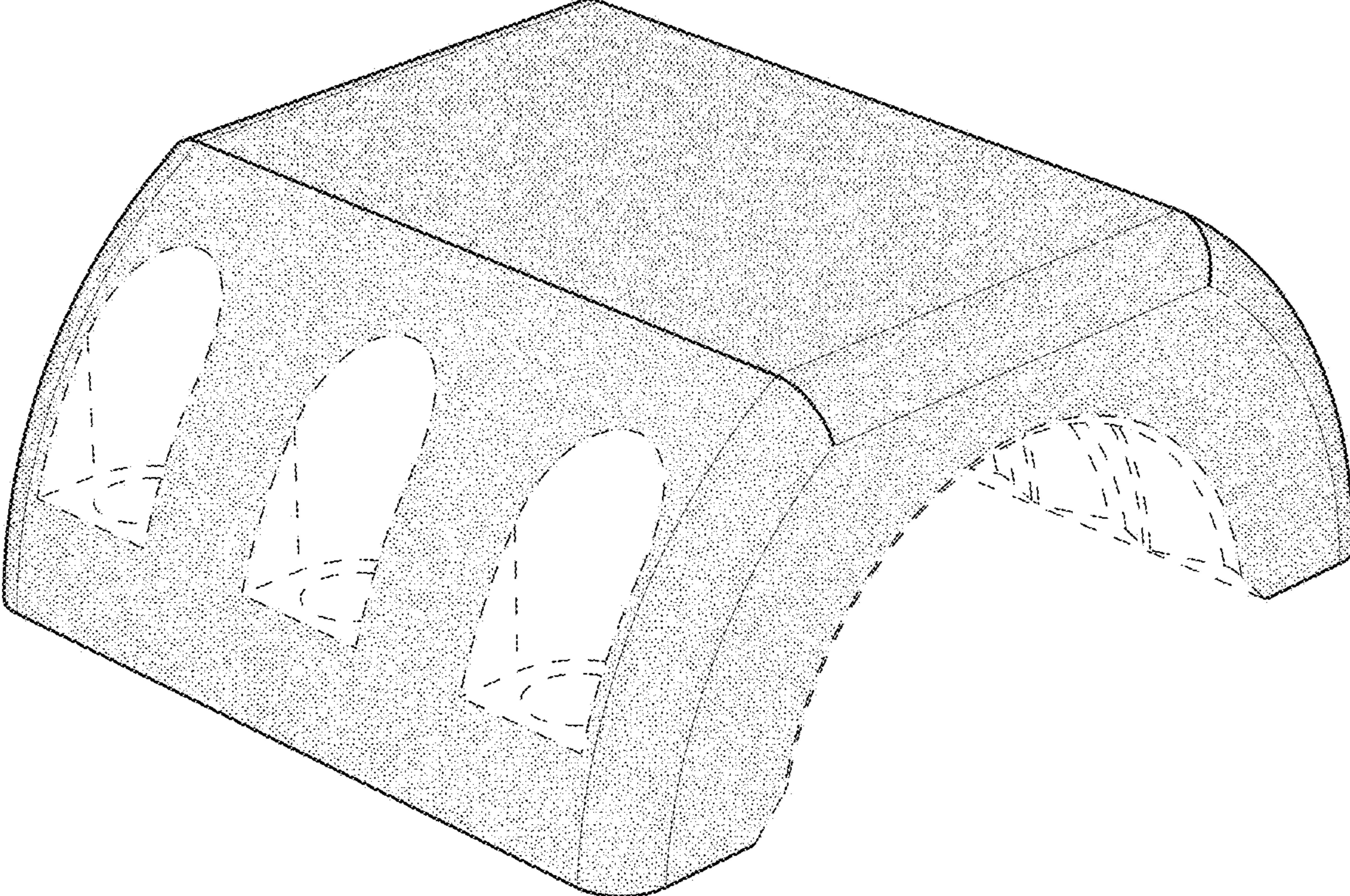


FIG.1

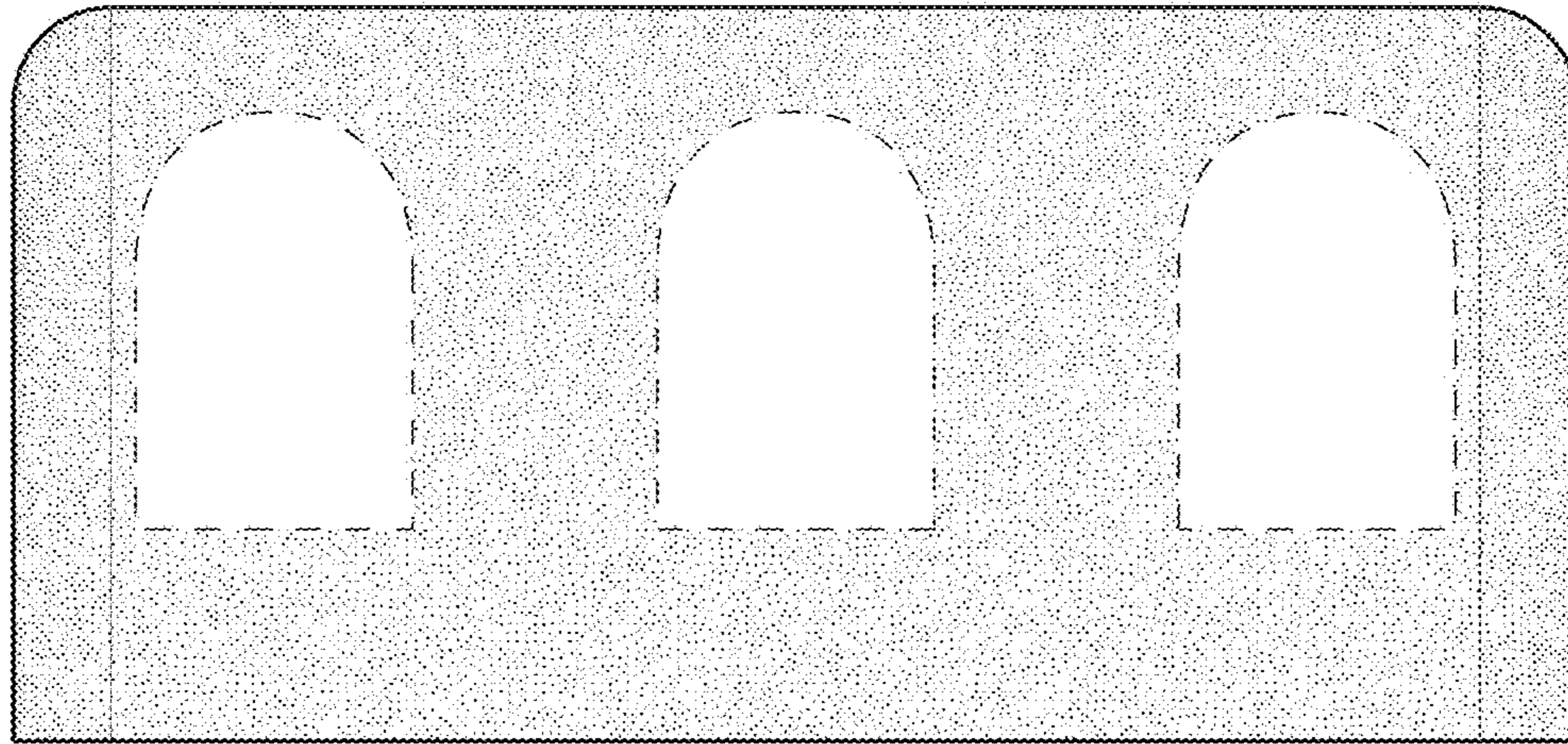


FIG.2

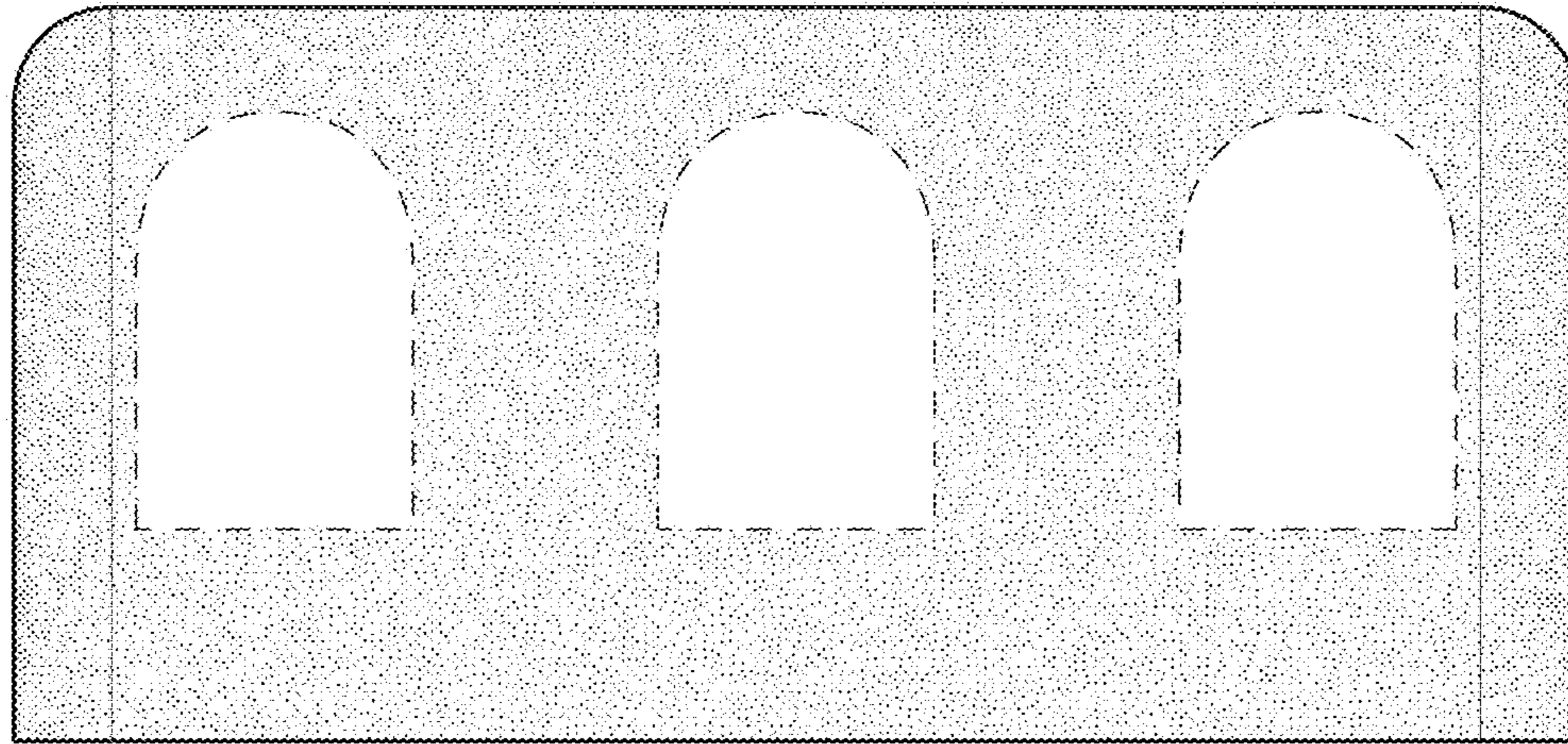


FIG.3

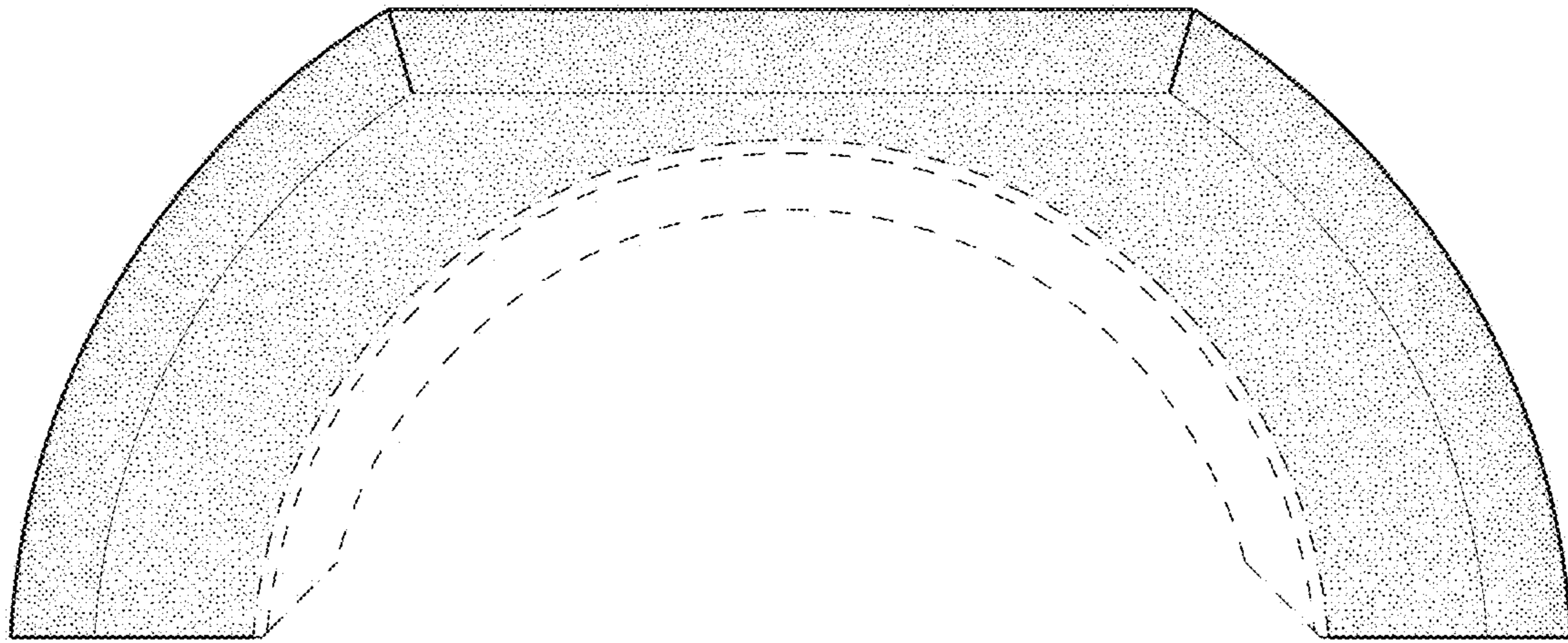


FIG.4

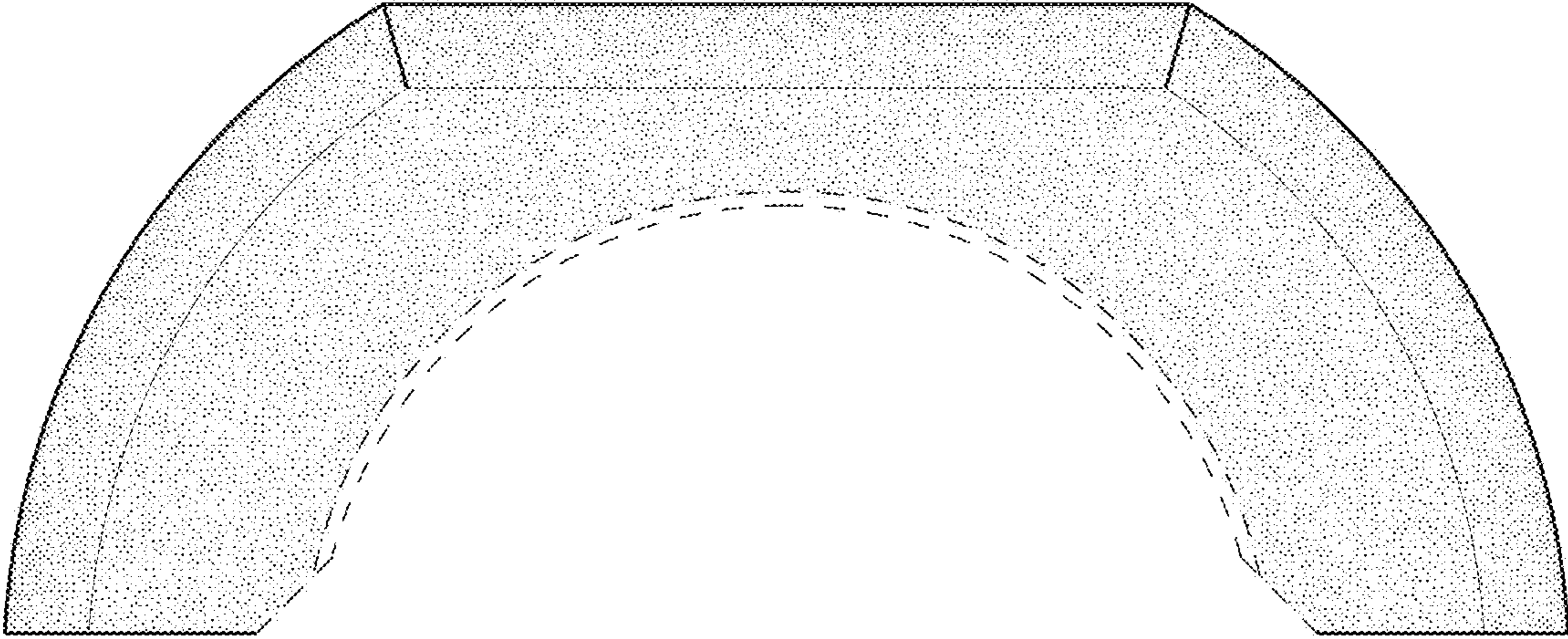


FIG.5

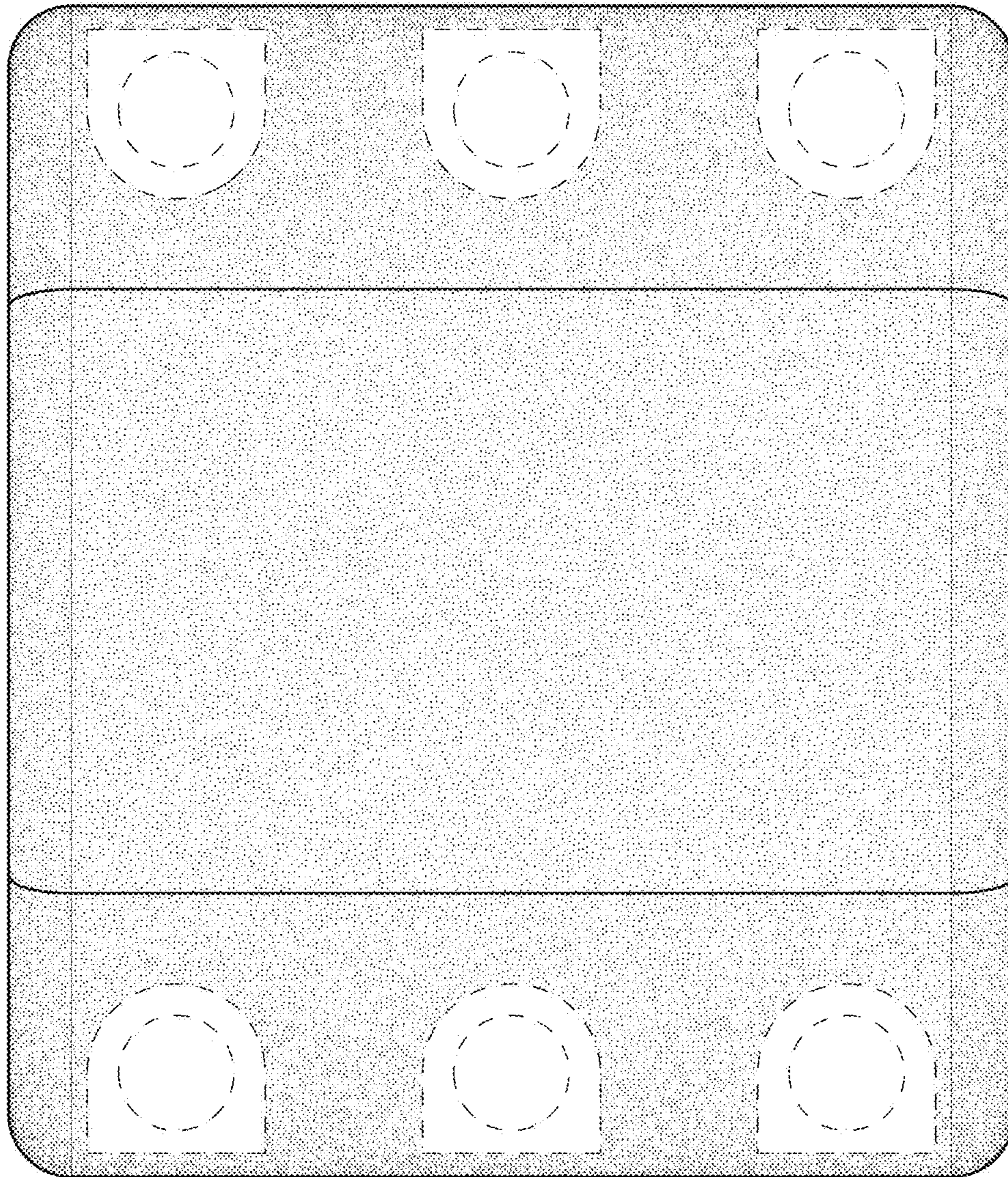


FIG.6

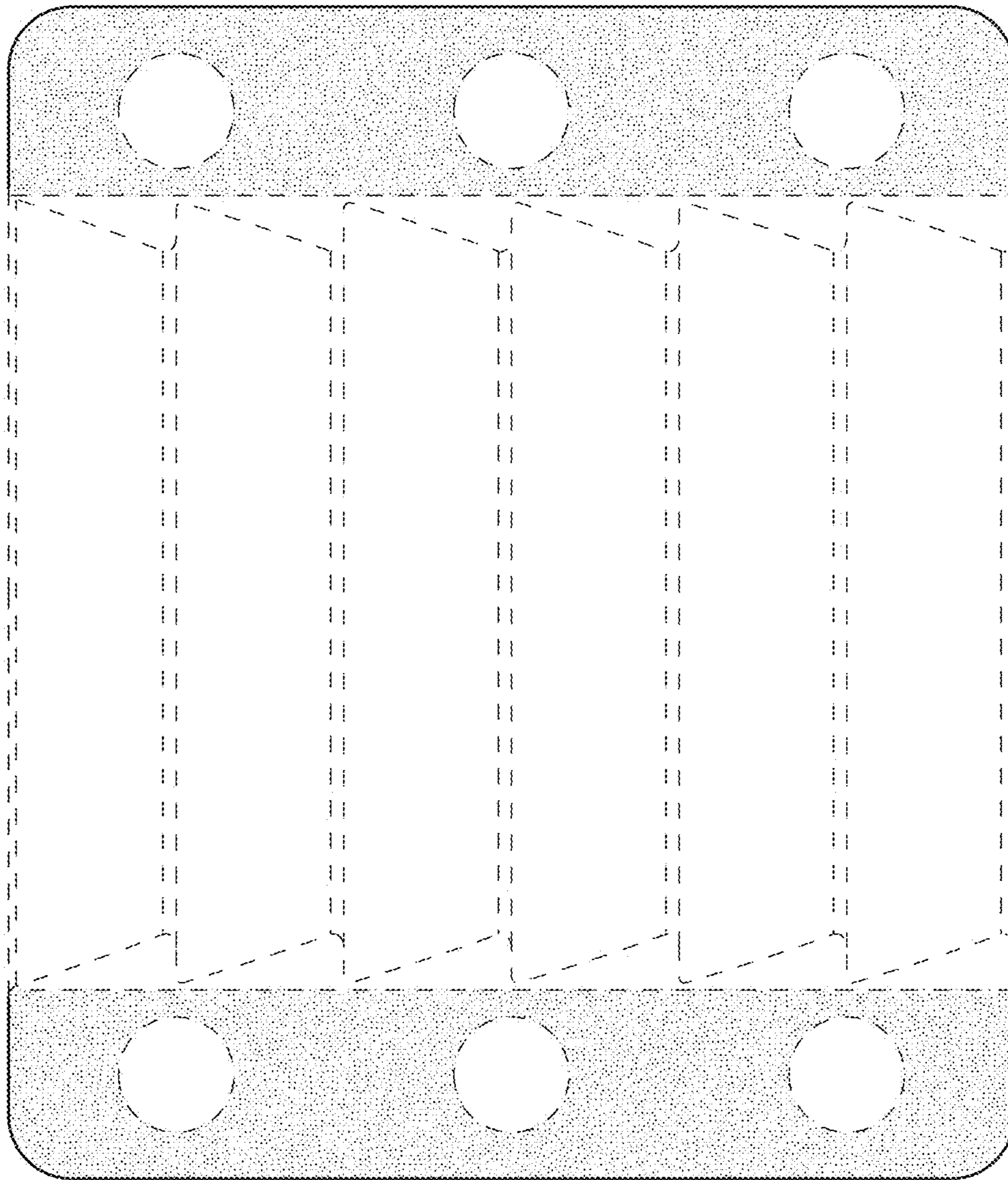


FIG.7