



US00D943381S

(12) **United States Design Patent** (10) **Patent No.:** **US D943,381 S**
Huang (45) **Date of Patent:** **** Feb. 15, 2022**

- (54) **DISMANTLING TOOL** 5,713,117 A * 2/1998 Bliss B25B 27/023
 29/257
 (71) Applicant: **Jih-Cheng Yeh**, Taichung (TW) 6,098,973 A * 8/2000 Khachatoorian B25B 5/101
 269/182
 (72) Inventor: **Shang-Yuan Huang**, Taichung (TW) 6,550,357 B1 4/2003 Freeman
 8,313,095 B2 * 11/2012 Kloepfer B25B 5/102
 269/143
 (73) Assignee: **Jih-Cheng Yeh**, Taichung (TW) 8,814,155 B2 * 8/2014 Prins B25B 5/101
 269/249
 (**) Term: **15 Years** D719,001 S * 12/2014 Robinson D8/73
 D782,267 S * 3/2017 Jensen D8/73
 (21) Appl. No.: **29/754,362** 9,597,778 B2 3/2017 Verbowski
 D824,755 S * 8/2018 Bauer D8/394
 D909,166 S * 2/2021 Alva D8/73
 (22) Filed: **Oct. 9, 2020** 2017/0348829 A1 12/2017 Kregloski

Related U.S. Application Data

- (63) Continuation-in-part of application No. 16/126,743, filed on Sep. 10, 2018, now abandoned.
 (51) **LOC (13) Cl.** **08-05**
 (52) **U.S. Cl.**
 USPC **D8/73**
 (58) **Field of Classification Search**
 USPC D8/71-74, 394-399, 59; 248/63, 72, 248/74.1, 689, 124.2; 81/487, 385, 386, 81/388-390; 269/3, 4, 6, 143, 165, 240, 269/243, 246-249, 254 R, 147-149; 29/256, 257, 276; 408/103, 104-109
 CPC B25B 1/00; B25B 5/00
 See application file for complete search history.

References Cited

U.S. PATENT DOCUMENTS

- (56) 3,997,152 A * 12/1976 Sass B25B 5/00
 269/249
 4,747,590 A * 5/1988 Yang B25B 5/003
 269/249
 4,962,918 A * 10/1990 Yang B25B 5/003
 269/156
 5,090,670 A * 2/1992 Yang B25B 5/003
 269/249
 5,135,209 A * 8/1992 Penny B25B 5/101
 269/249

* cited by examiner

Primary Examiner — David G Muller
 (74) *Attorney, Agent, or Firm* — Muncy, Geissler, Olds & Lowe, P.C.

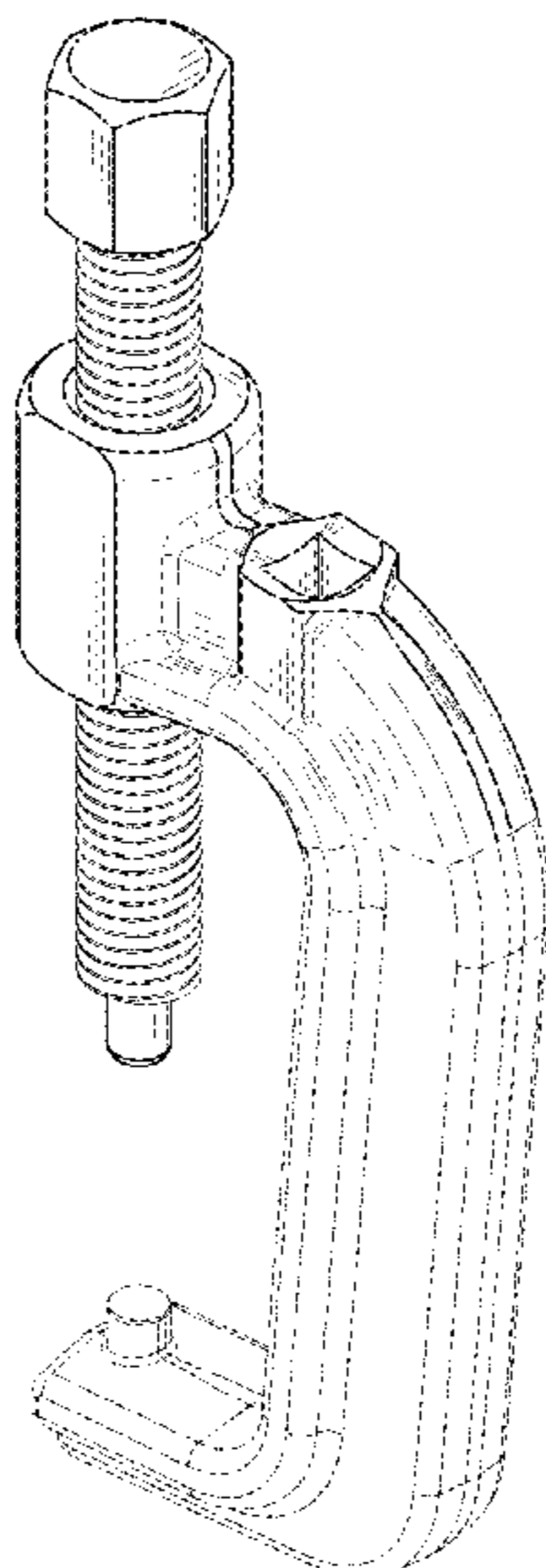
(57) **CLAIM**

I claim the ornamental design for a dismantling tool, as shown and described.

DESCRIPTION

FIG. 1 is a top, front, right perspective view of a dismantling tool showing my new design;
 FIG. 2 is a front view thereof;
 FIG. 3 is a rear view thereof;
 FIG. 4 is a left view thereof;
 FIG. 5 is a right view thereof;
 FIG. 6 is a top plan view thereof;
 FIG. 7 is a bottom plan view thereof; and,
 FIG. 8 a bottom, rear, left perspective view.
 The broken lines in the drawings illustrate portions of the dismantling tool which form no part of the claimed design.
 The dot-dashed line in the figures defines the boundary of claimed design and forms no part of the claimed design.

1 Claim, 6 Drawing Sheets



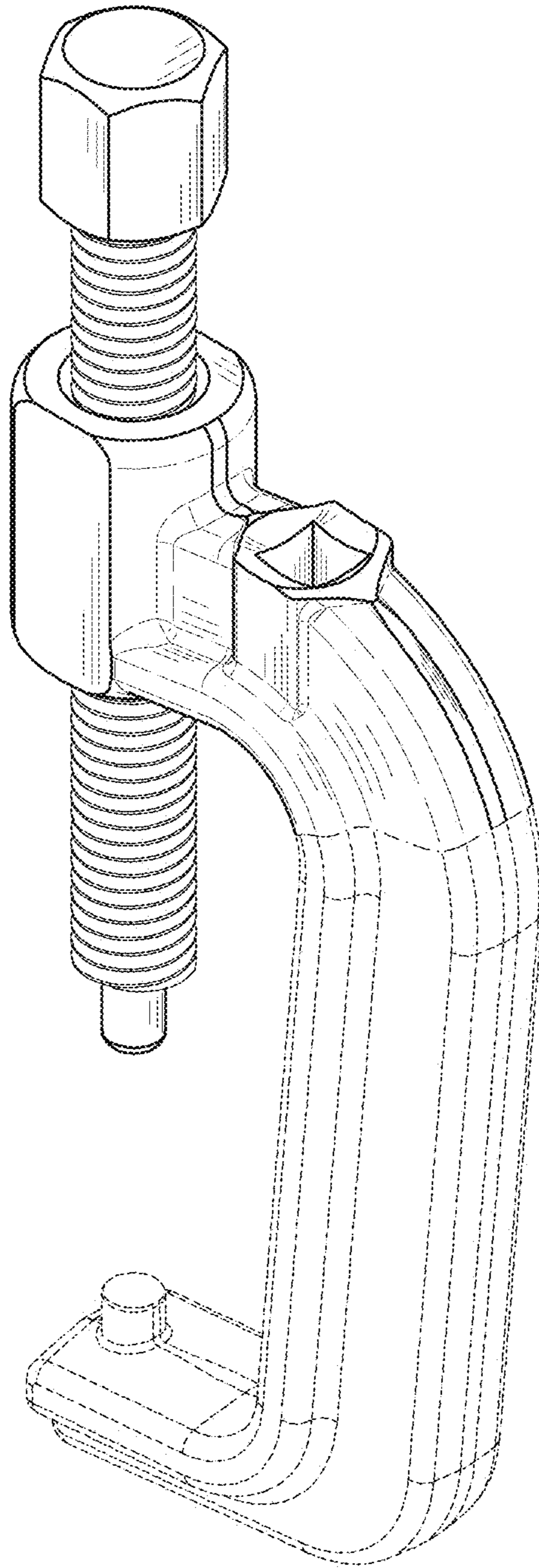


FIG. 1

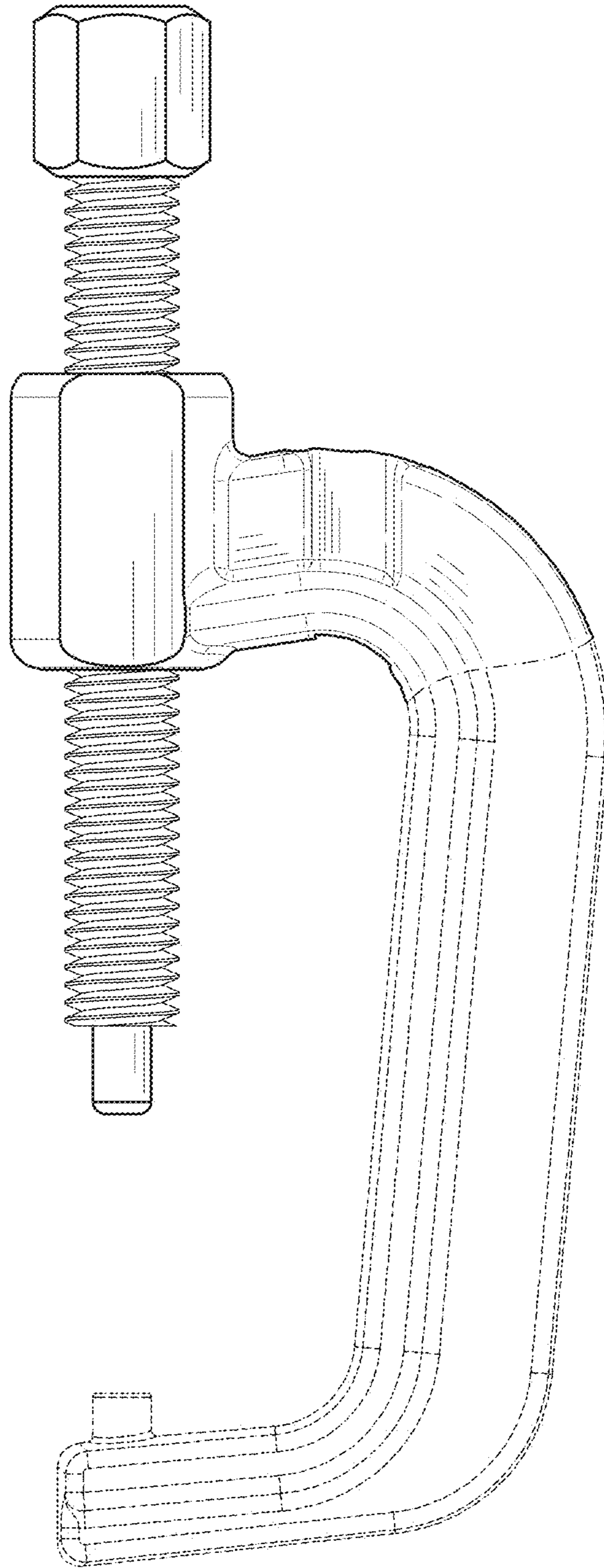


FIG. 2

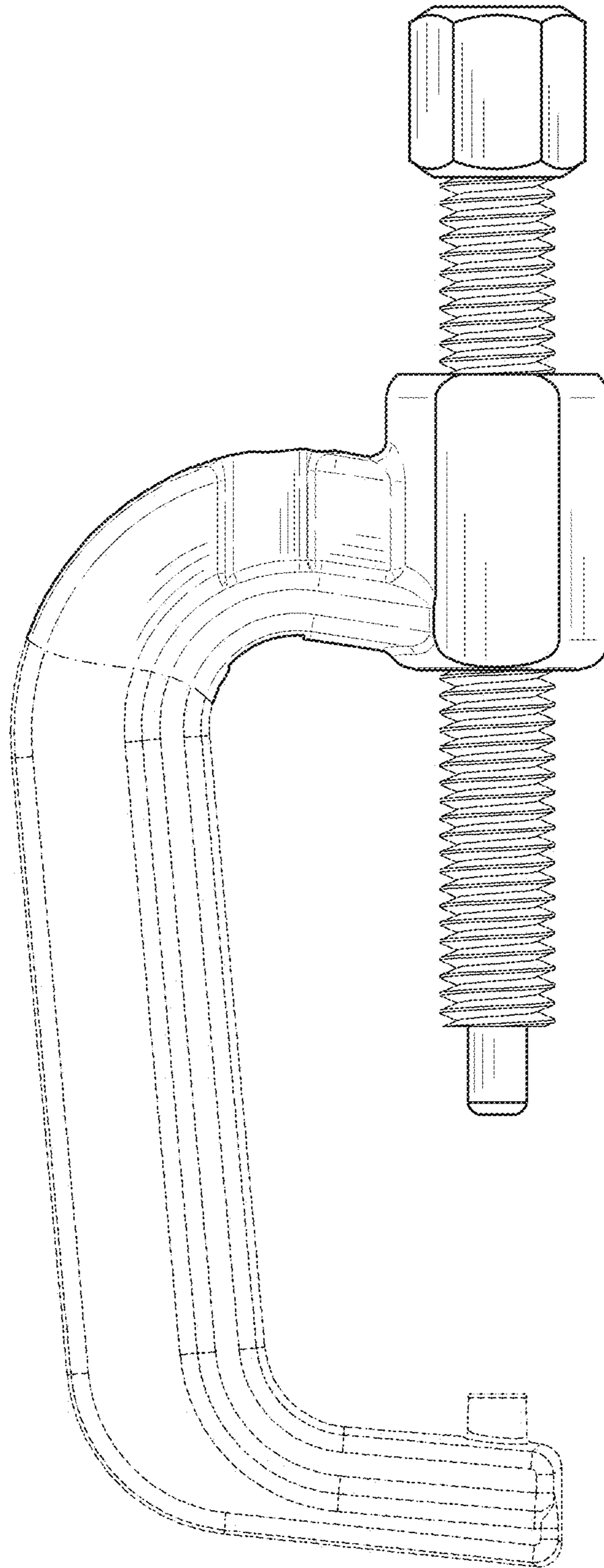


FIG. 3

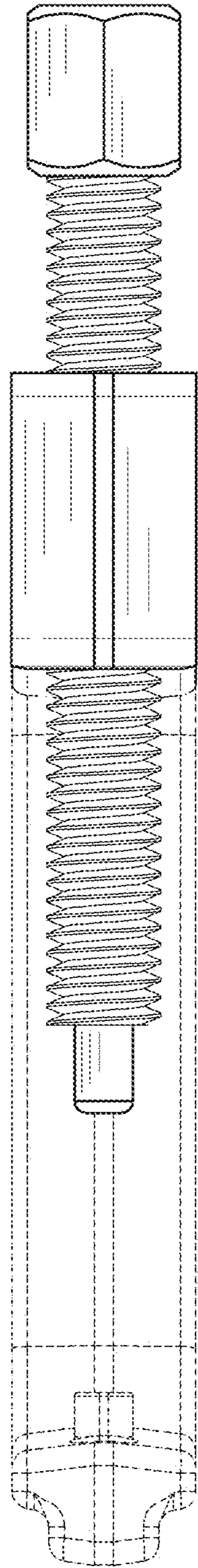


FIG. 4

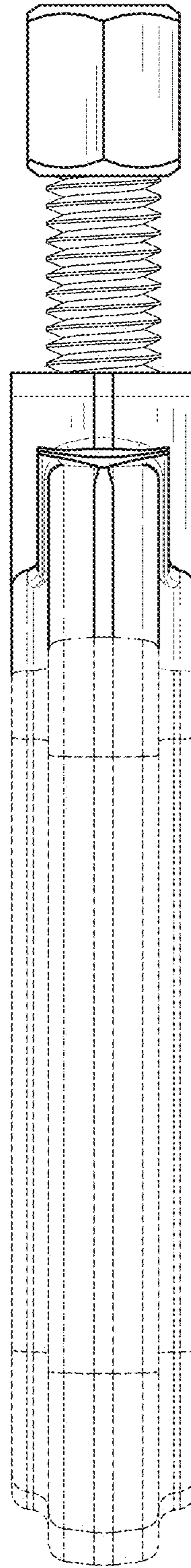


FIG. 5

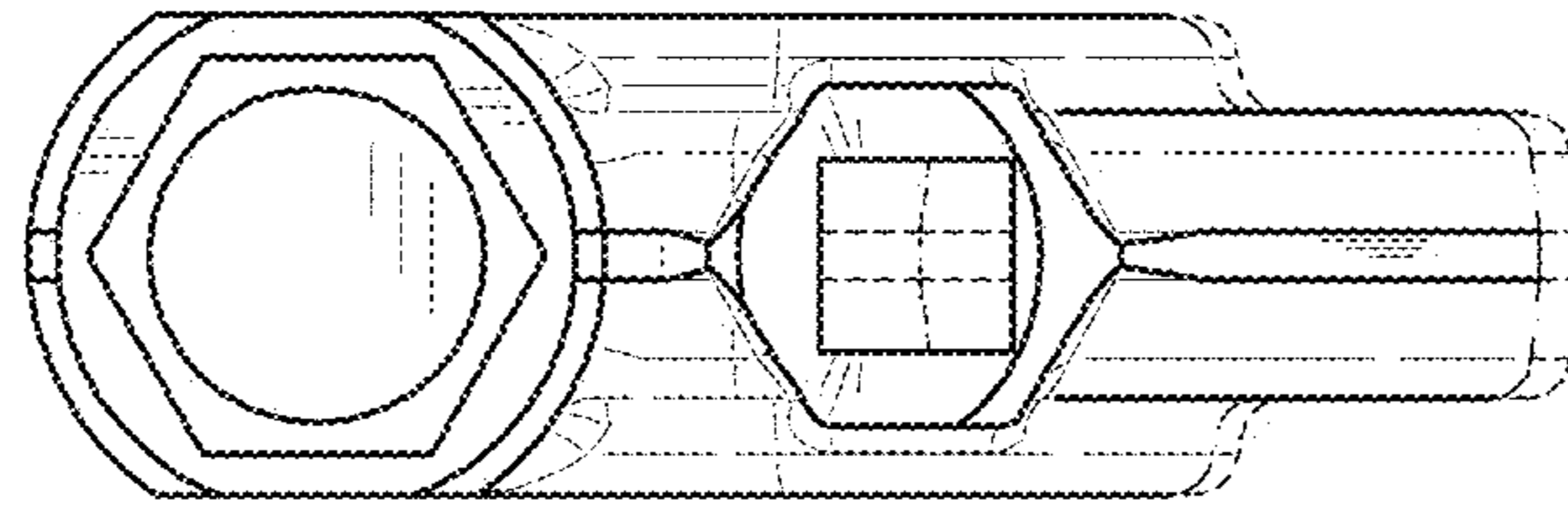


FIG. 6

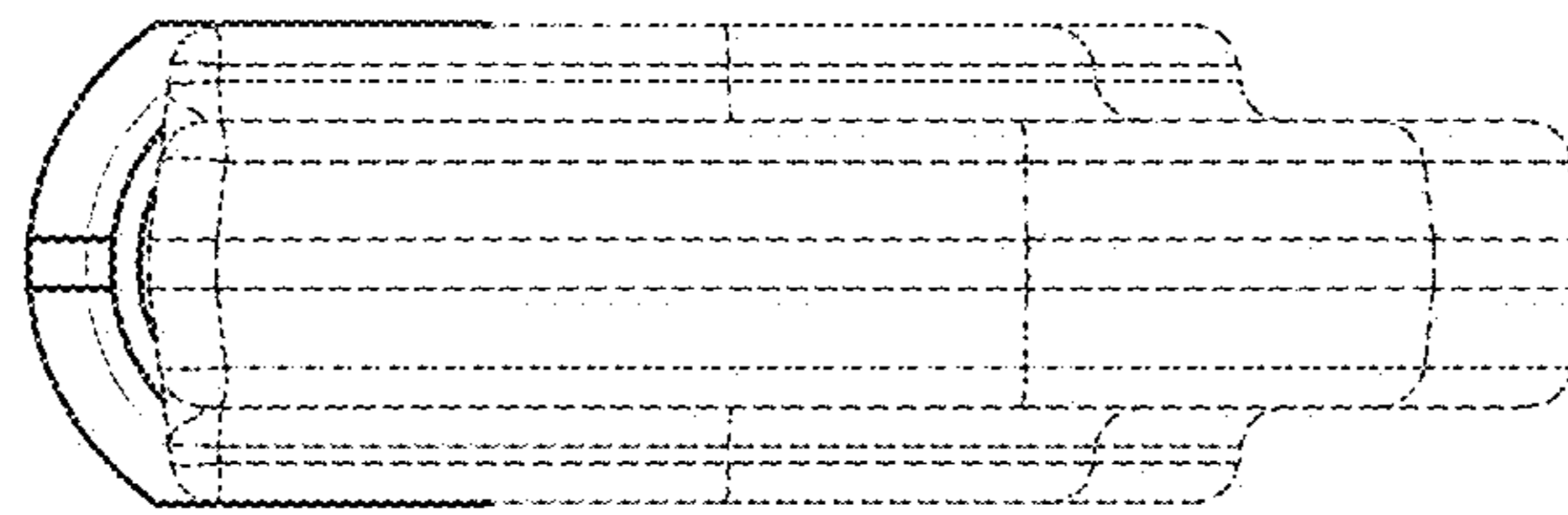


FIG. 7

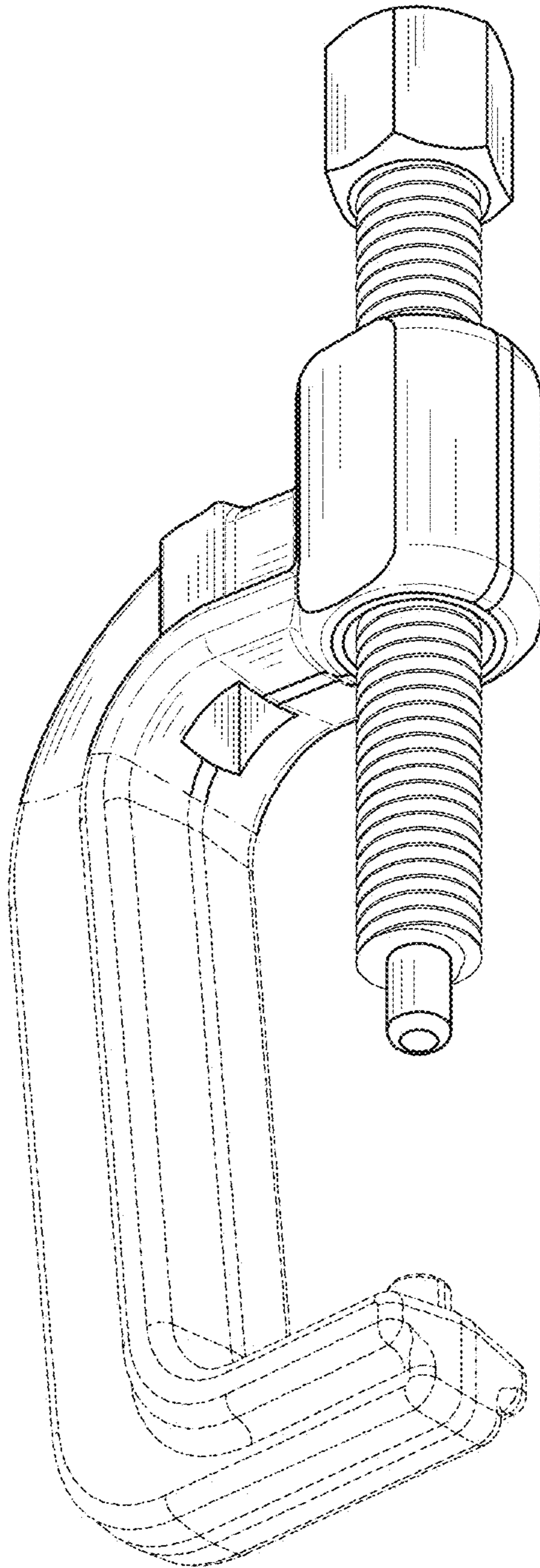


FIG. 8