



US00D943378S

(12) **United States Design Patent**
Hsieh

(10) **Patent No.:** **US D943,378 S**

(45) **Date of Patent:** **** Feb. 15, 2022**

(54) **FOLDABLE MAGNETIC PAD**

(71) Applicant: **Chih-Chien Hsieh**, Taichung (TW)

(72) Inventor: **Chih-Chien Hsieh**, Taichung (TW)

(**) Term: **15 Years**

(21) Appl. No.: **29/761,958**

(22) Filed: **Dec. 14, 2020**

(51) **LOC (13) Cl.** **08-05**

(52) **U.S. Cl.**
USPC **D8/71**

(58) **Field of Classification Search**
USPC D8/14, 15, 71; D12/203; D9/456
CPC B25H 3/04; A47F 5/0823; A47G 29/08;
F16B 5/0664

See application file for complete search history.

(56) **References Cited**

U.S. PATENT DOCUMENTS

- 2,958,019 A * 10/1960 Scholten B23Q 3/1546
335/285
- 3,665,355 A * 5/1972 Sasaki H01F 7/0215
335/306
- 3,924,212 A * 12/1975 Brown H01F 7/0215
335/303
- D261,936 S * 11/1981 Sumiyasu D13/183
- 4,822,177 A * 4/1989 Arend A45C 3/10
383/123
- 4,826,059 A * 5/1989 Bosch A45C 11/24
206/350
- D302,417 S * 7/1989 Lehner D12/203
- D392,957 S * 3/1998 Gaete D20/10
- D392,958 S * 3/1998 Gaete D20/10
- 6,126,588 A * 10/2000 Flamant A61L 15/18
600/15
- 6,587,022 B1 * 7/2003 Devine A45F 5/00
206/350
- D581,459 S * 11/2008 Stephenson D19/33

- D593,391 S * 6/2009 Lamb D8/71
- D643,878 S * 8/2011 Osorio D19/113
- D679,534 S * 4/2013 Stoddard D6/592
- D697,551 S * 1/2014 Colbert D19/26
- 9,095,234 B2 * 8/2015 Lee A47G 9/062
- 10,207,401 B1 * 2/2019 Pedrin B25H 3/04
- 10,974,883 B1 * 4/2021 Questiaux B65D 73/0035
- 2020/0269412 A1 * 8/2020 Hsieh B32B 3/08
- 2020/0306950 A1 * 10/2020 Chang B25H 3/04

* cited by examiner

Primary Examiner — Keli L Hill

Assistant Examiner — Harold E Blackwell, II

(74) *Attorney, Agent, or Firm* — Egbert, McDaniel & Swartz, PLLC

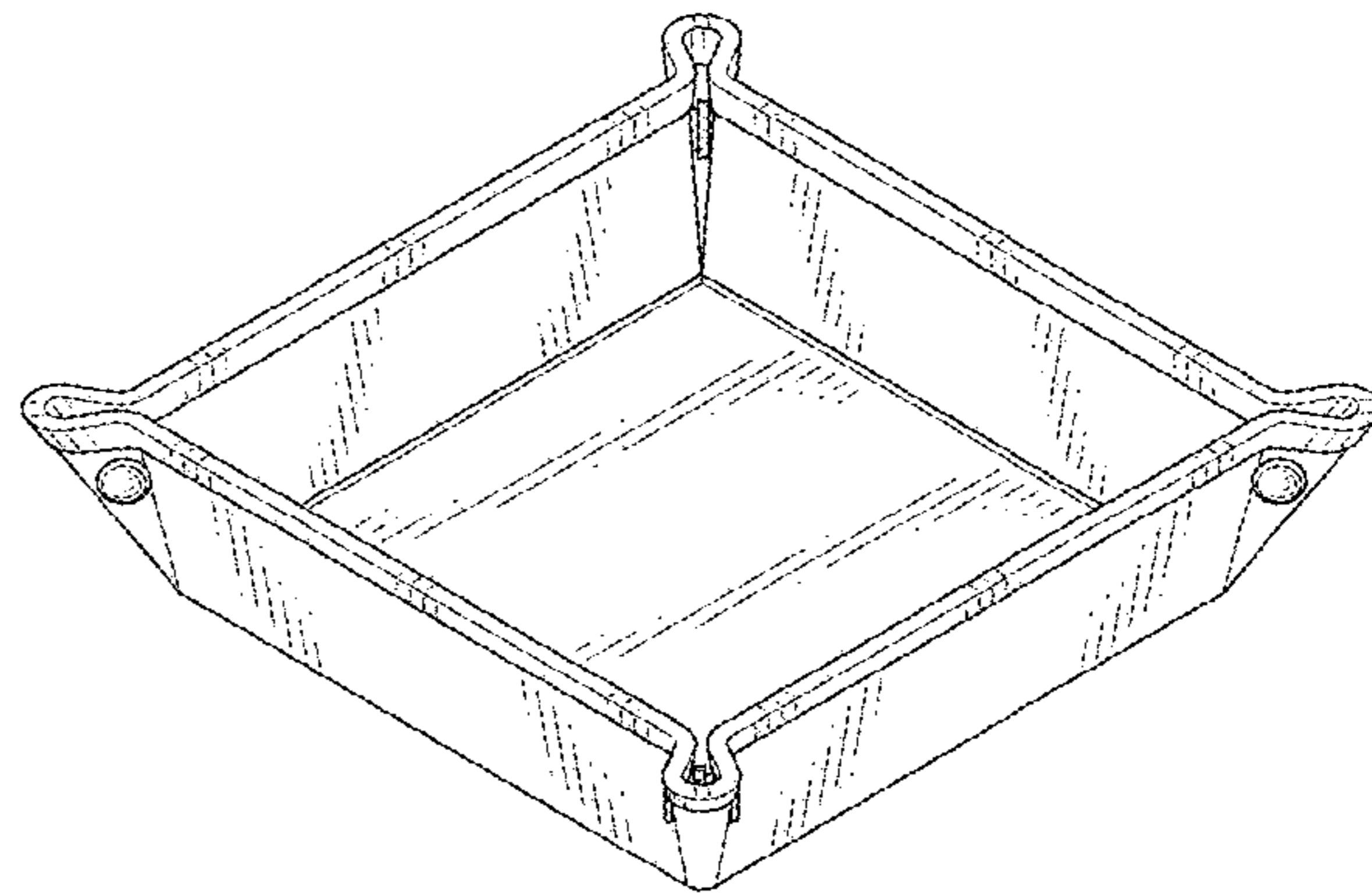
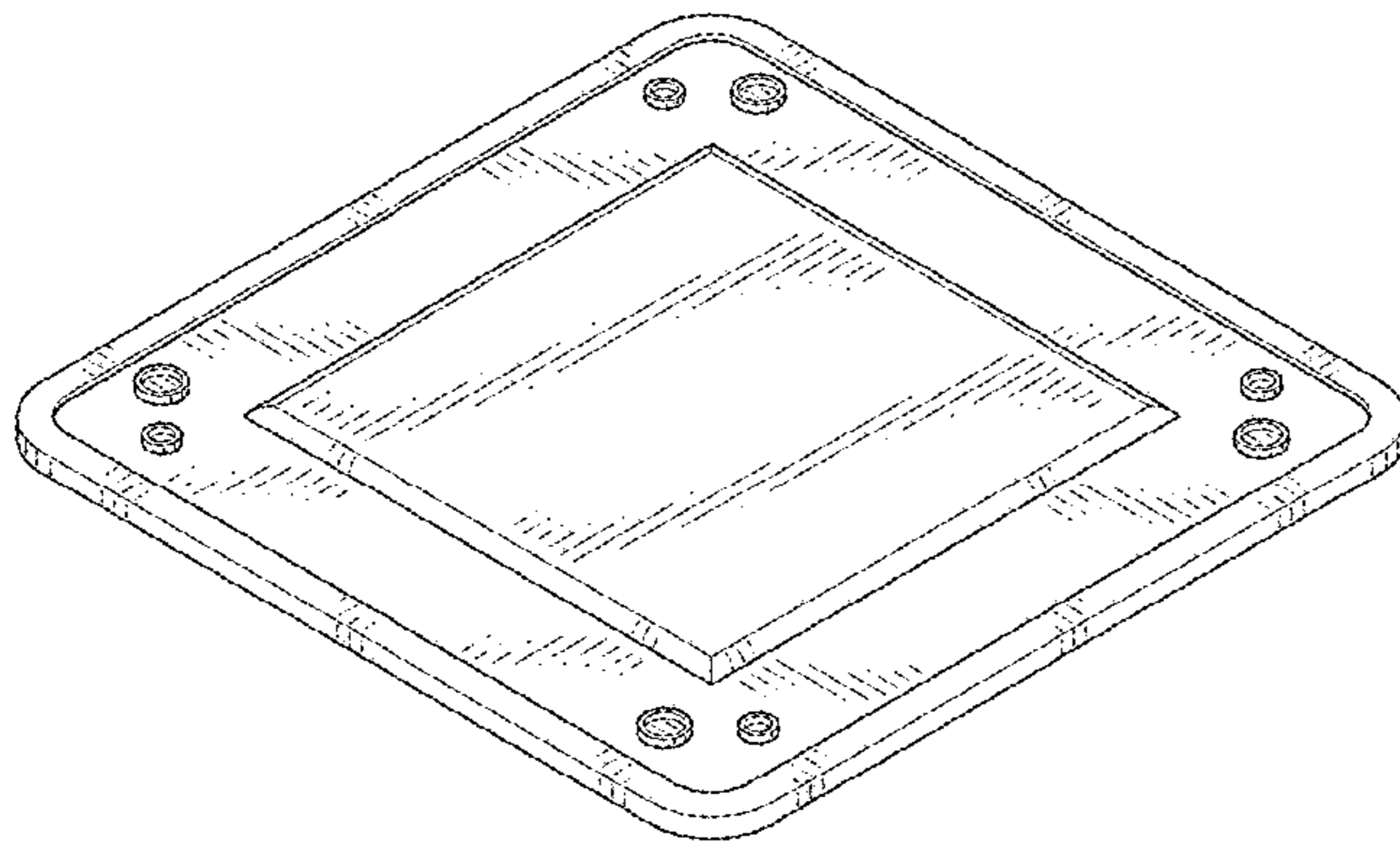
(57) **CLAIM**

The ornamental design for a foldable magnetic pad, as shown and described.

DESCRIPTION

FIG. 1 is an upper perspective view of a foldable magnetic pad showing my new design;
 FIG. 2 is a front view thereof;
 FIG. 3 is a rear view thereof;
 FIG. 4 is a left side view thereof;
 FIG. 5 is a right side view thereof;
 FIG. 6 is a top plan view thereof;
 FIG. 7 is a bottom plan view thereof;
 FIG. 8 is a lower perspective view thereof; and,
 FIG. 9 is an upper perspective view of the foldable magnetic pad in a folded state.
 The broken lines in FIGS. 7 and 8 illustrate portions of the foldable magnetic pad that form no part of the claimed design.

1 Claim, 9 Drawing Sheets



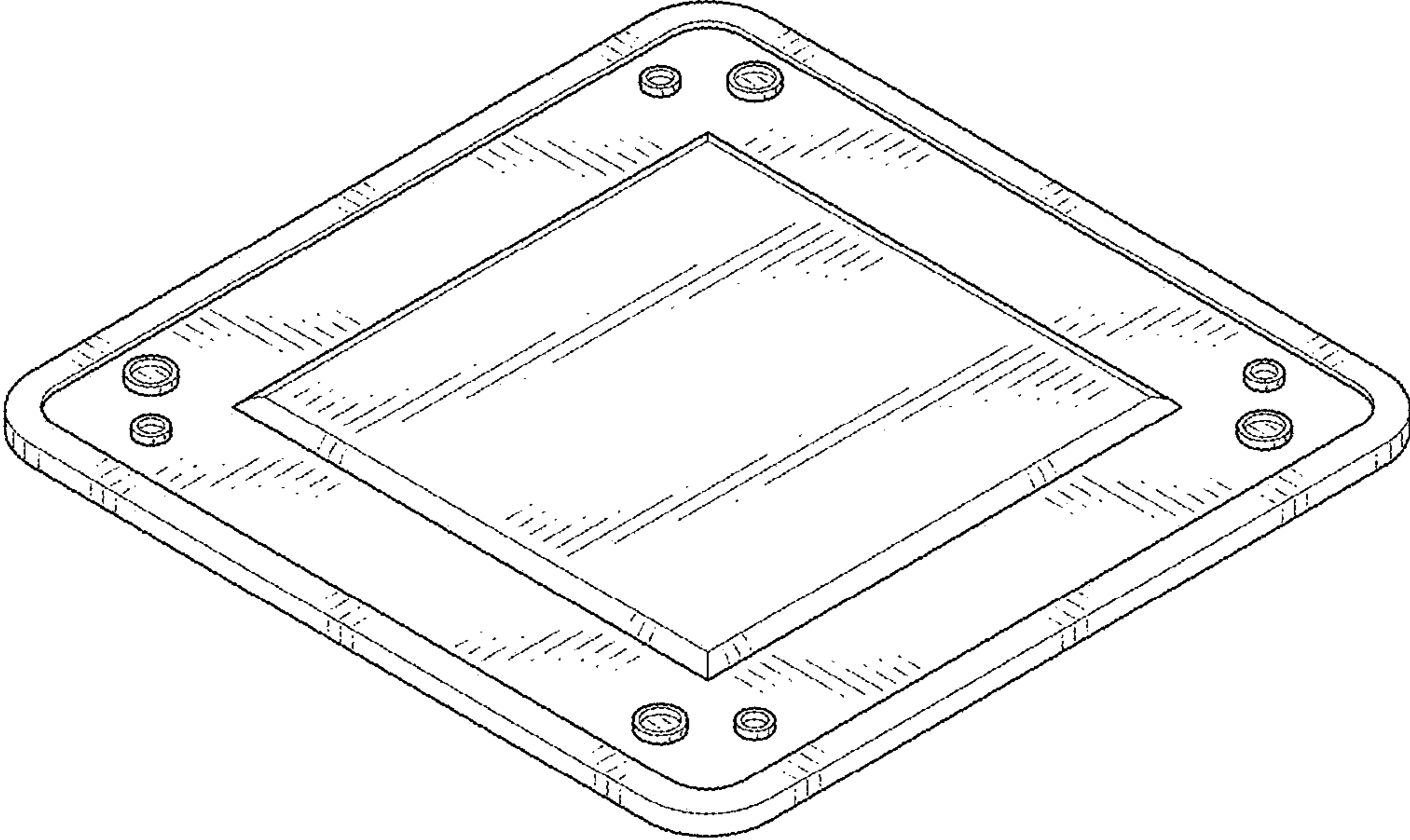


FIG. 1

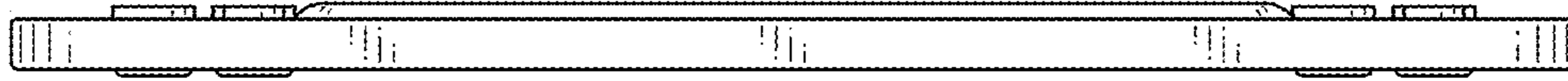


FIG. 2

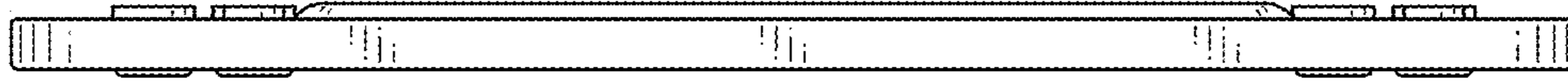


FIG. 3

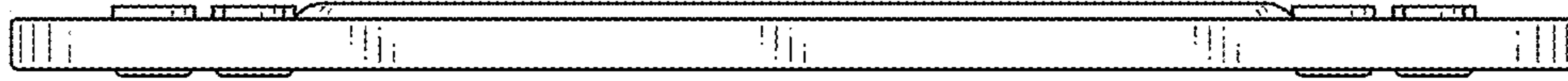


FIG. 4

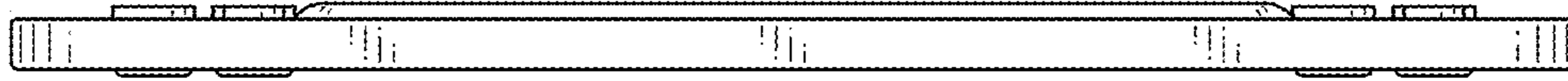


FIG. 5

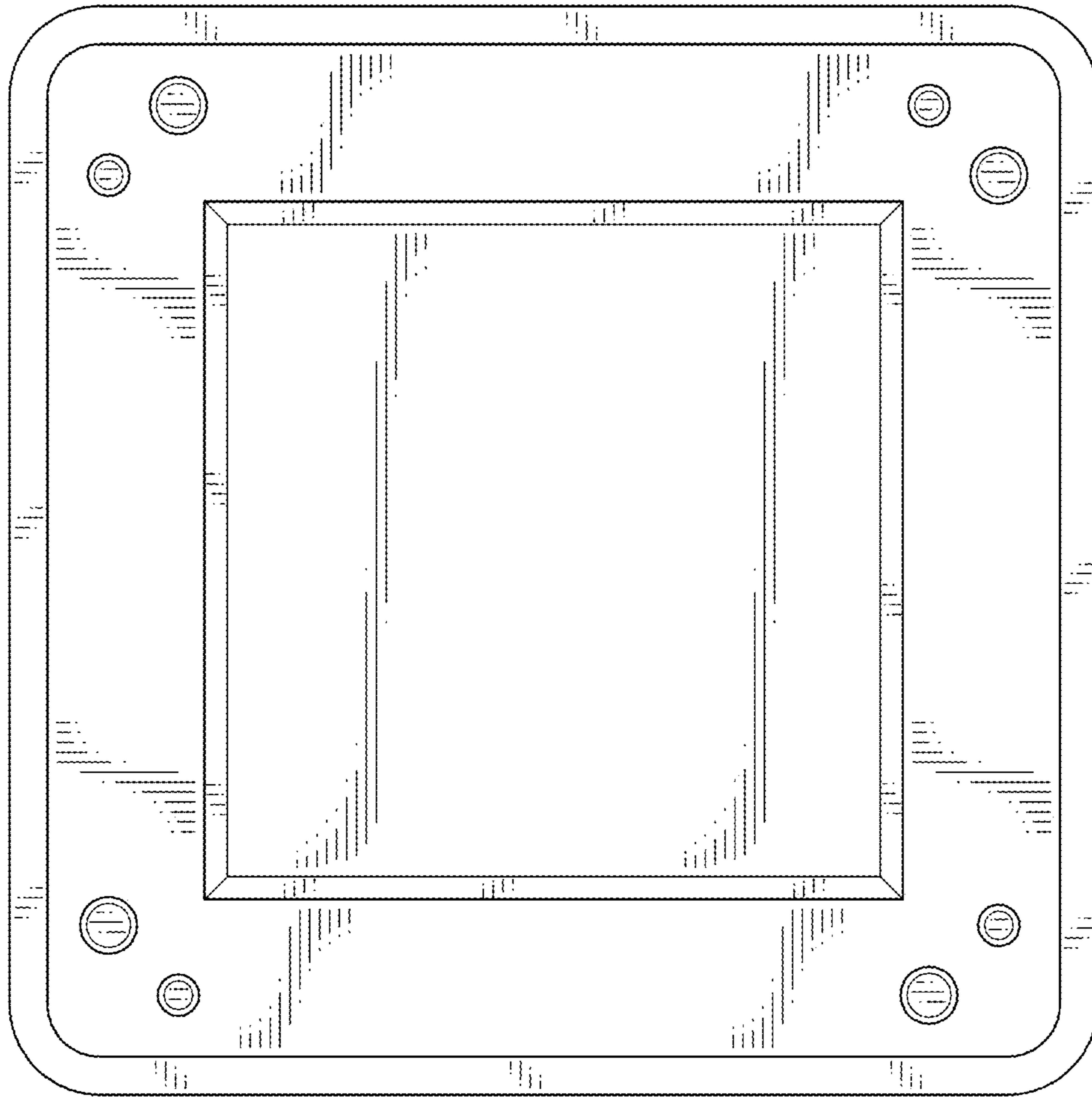


FIG. 6

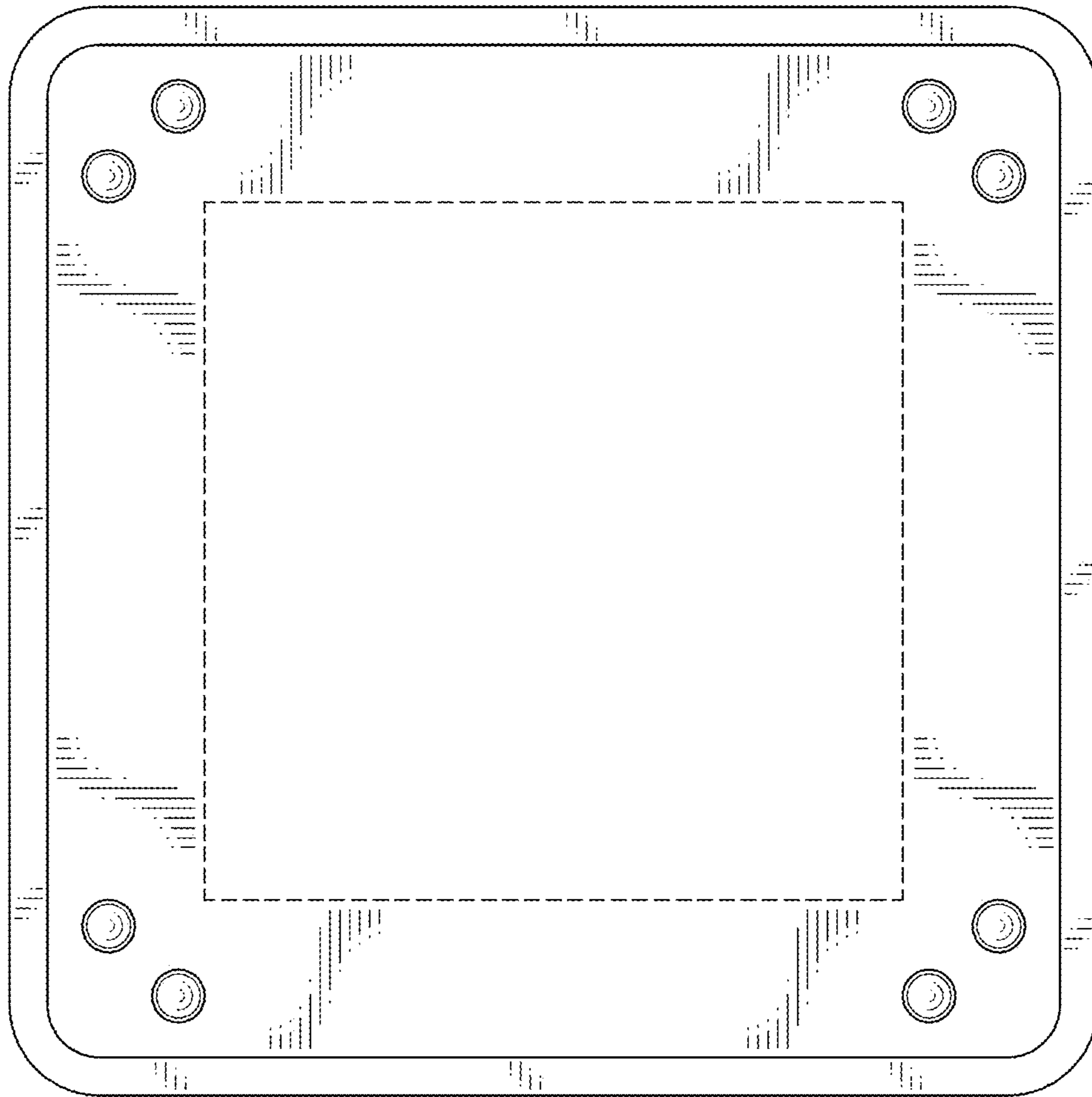


FIG. 7

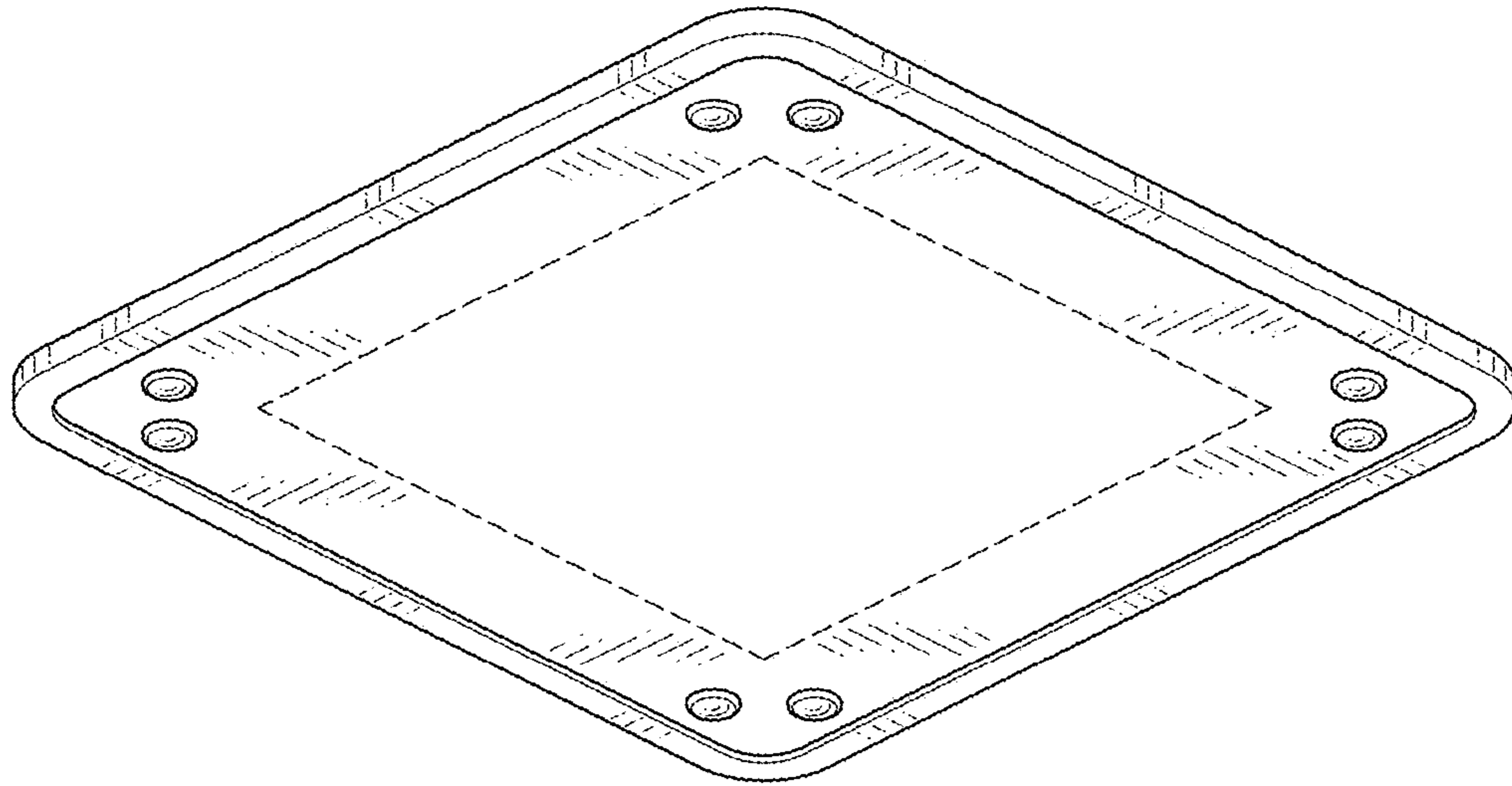


FIG. 8

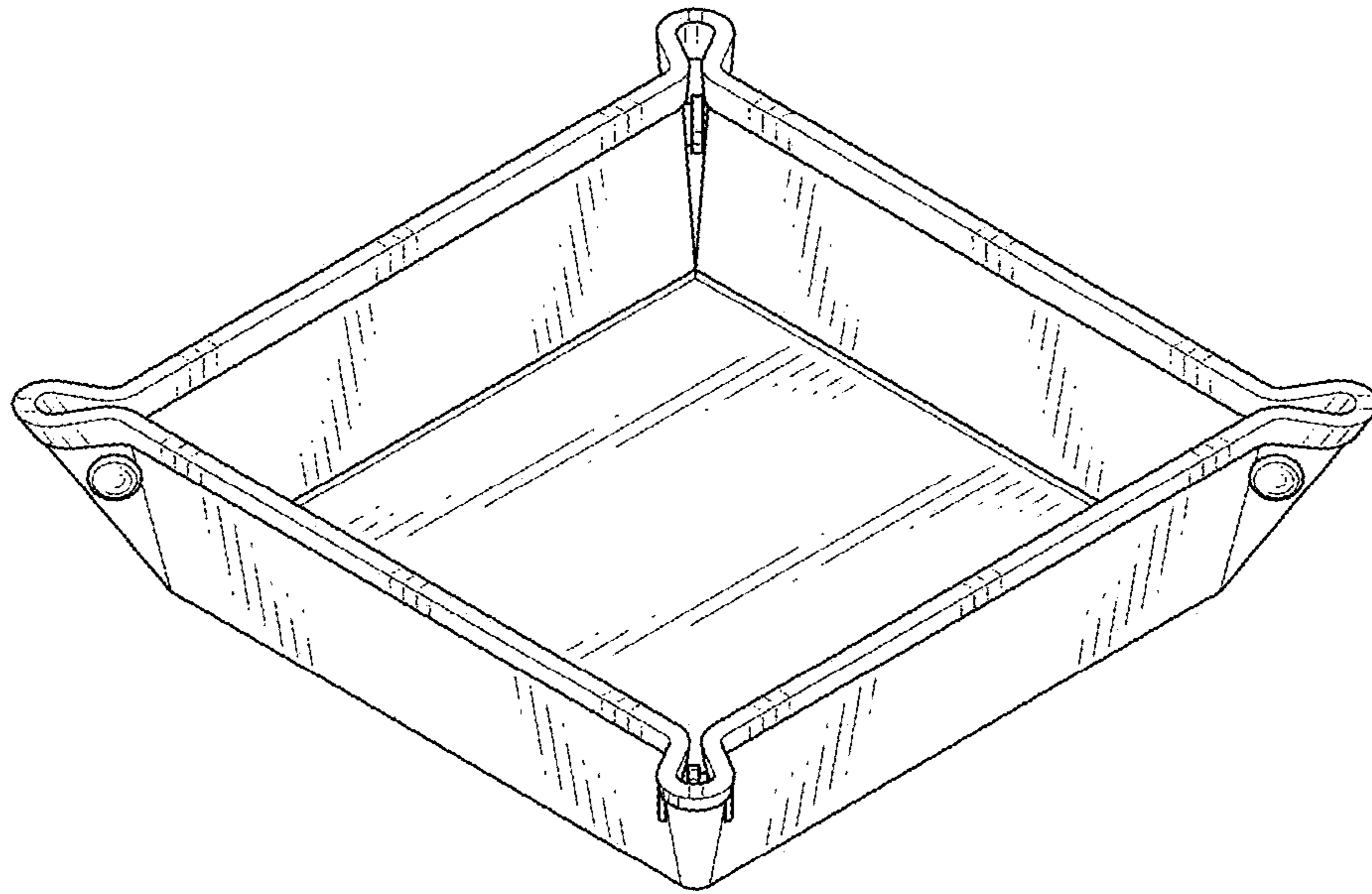


FIG. 9