



US00D943377S

(12) **United States Design Patent**  
**Xu**

(10) **Patent No.:** **US D943,377 S**  
(45) **Date of Patent:** **\*\* Feb. 15, 2022**

(54) **CUP TURNER**

(71) Applicant: **HUZHONG TECHNOLOGY (SHENZHEN) CO., LTD**, Shenzhen (CN)

(72) Inventor: **Sisi Xu**, Shenzhen (CN)

(73) Assignee: **HUZHONG TECHNOLOGY (SHENZHEN) CO., LTD**, Shenzhen (CN)

(\*\*) Term: **15 Years**

(21) Appl. No.: **29/760,331**

(22) Filed: **Dec. 1, 2020**

(30) **Foreign Application Priority Data**

Nov. 27, 2020 (CN) ..... 202030726153.0

(51) **LOC (13) Cl.** ..... **08-05**

(52) **U.S. Cl.**  
USPC ..... **D8/71; D15/140; D15/122**

(58) **Field of Classification Search**  
USPC ..... D8/71; D15/122, 123, 125, 130, 138, D15/140, 141, 142  
CPC .... A47J 37/041; A47J 37/049; A47J 37/0786; A47J 37/0745; A47J 37/04  
See application file for complete search history.

(56) **References Cited**

**U.S. PATENT DOCUMENTS**

2,811,099 A \* 10/1957 McGoldrick ..... A47J 37/041 99/444  
3,075,454 A \* 1/1963 Henyan ..... A47J 37/049 99/421 R

D269,616 S \* 7/1983 Crum ..... D15/140  
D349,293 S \* 8/1994 Rhoton ..... D15/130  
D908,749 S \* 1/2021 Luo ..... D15/122  
D915,476 S \* 4/2021 Luo ..... D15/122  
D936,115 S \* 11/2021 Yang ..... D15/122

**OTHER PUBLICATIONS**

www.amazon.com, DIYTIME, Double Cup Turner , Two-Ways Rotate Tumbler Turner Machine DIY Crafts Tumbler Spinner with 2 Switches on Silent Motor, Jan. 26, 2021 (Year: 2021).\*

\* cited by examiner

*Primary Examiner* — Keli L Hill  
*Assistant Examiner* — Harold E Blackwell, II

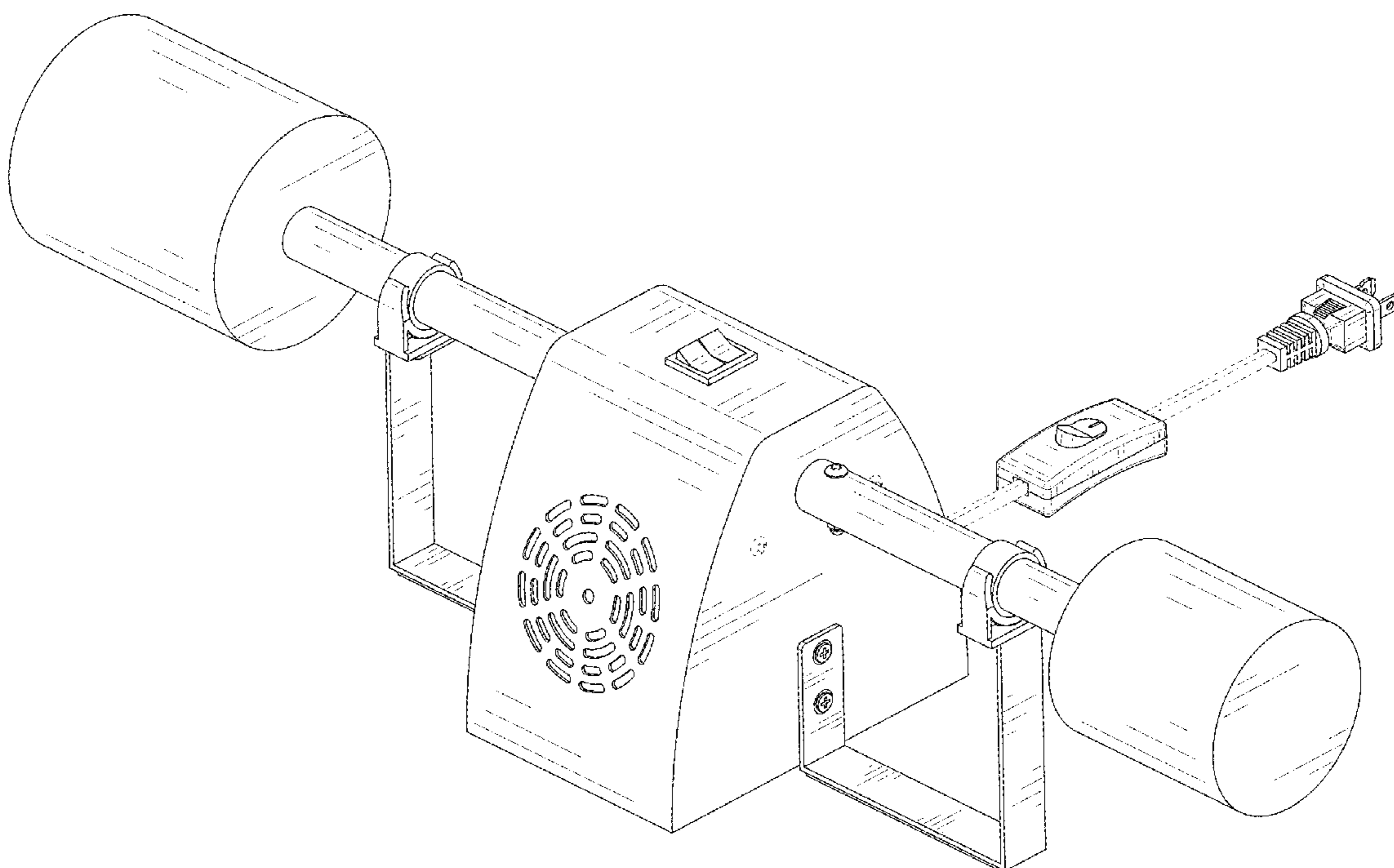
(57) **CLAIM**

The ornamental design for a cup turner, a shown and described.

**DESCRIPTION**

FIG. 1 is a perspective view of a cup turner showing my new design;  
FIG. 2 is another perspective view thereof;  
FIG. 3 is a front elevational view thereof;  
FIG. 4 is a rear elevational view thereof;  
FIG. 5 is a left side elevational view thereof;  
FIG. 6 is a right side elevational view thereof;  
FIG. 7 is a top plan view thereof; and,  
FIG. 8 is a bottom plan view thereof.  
The broken lines in the drawings depict portions of the cup turner that form no part of the claimed design.

**1 Claim, 8 Drawing Sheets**



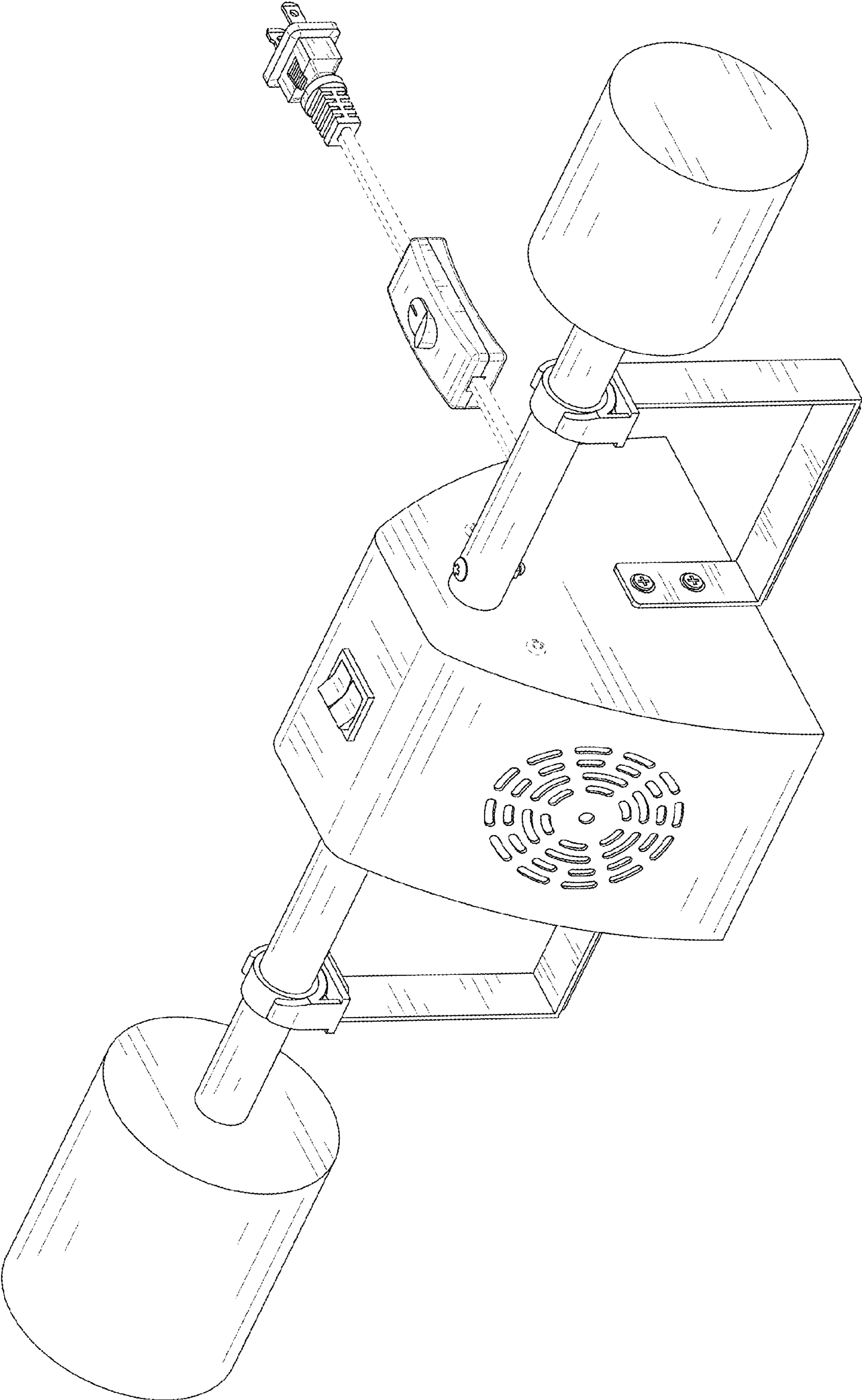


FIG. 1

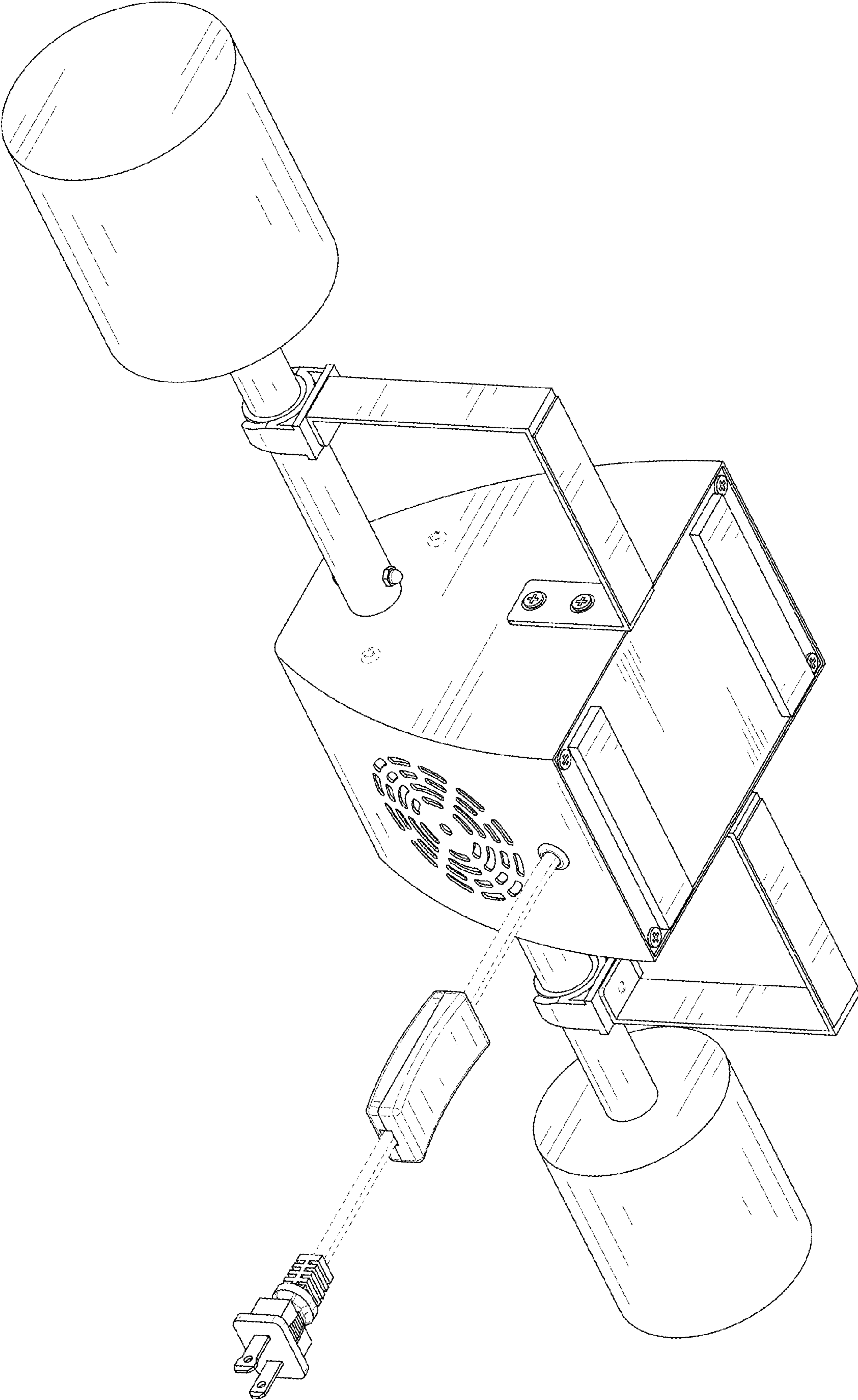


FIG. 2

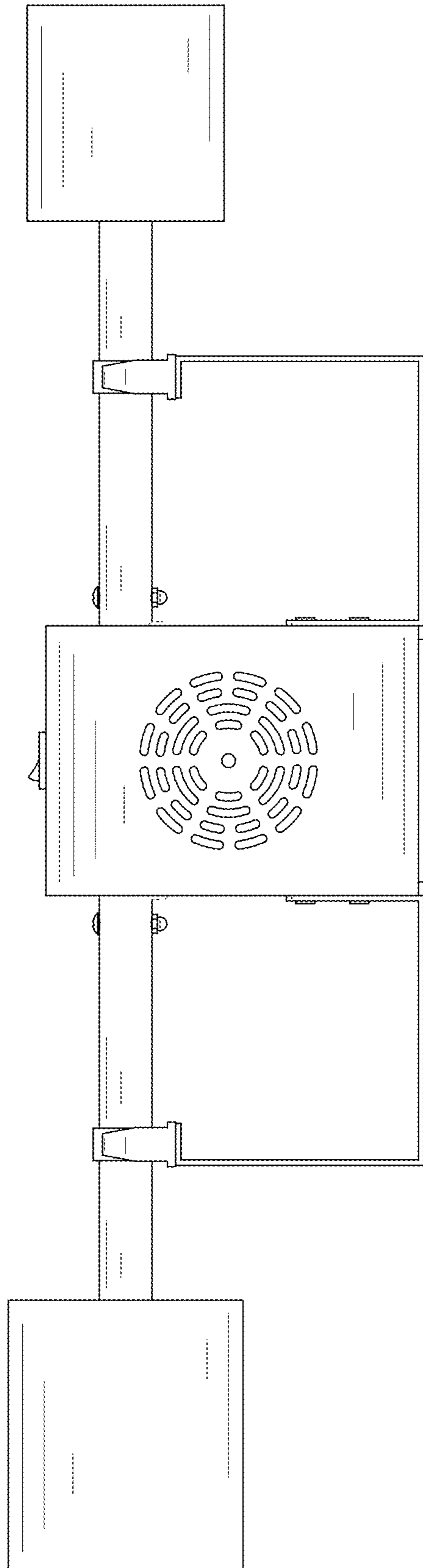


FIG. 3

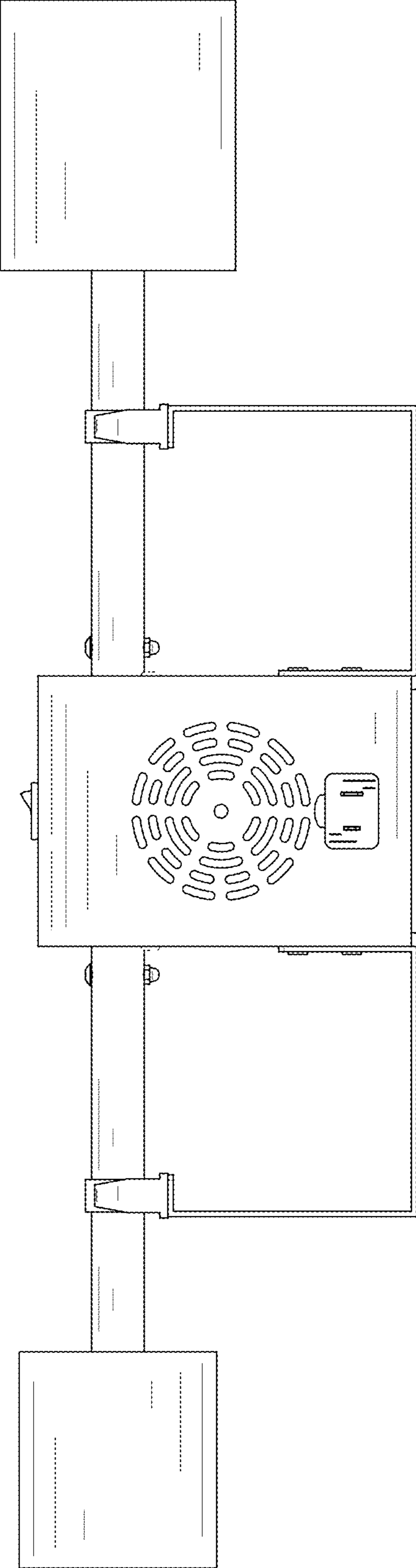


FIG. 4

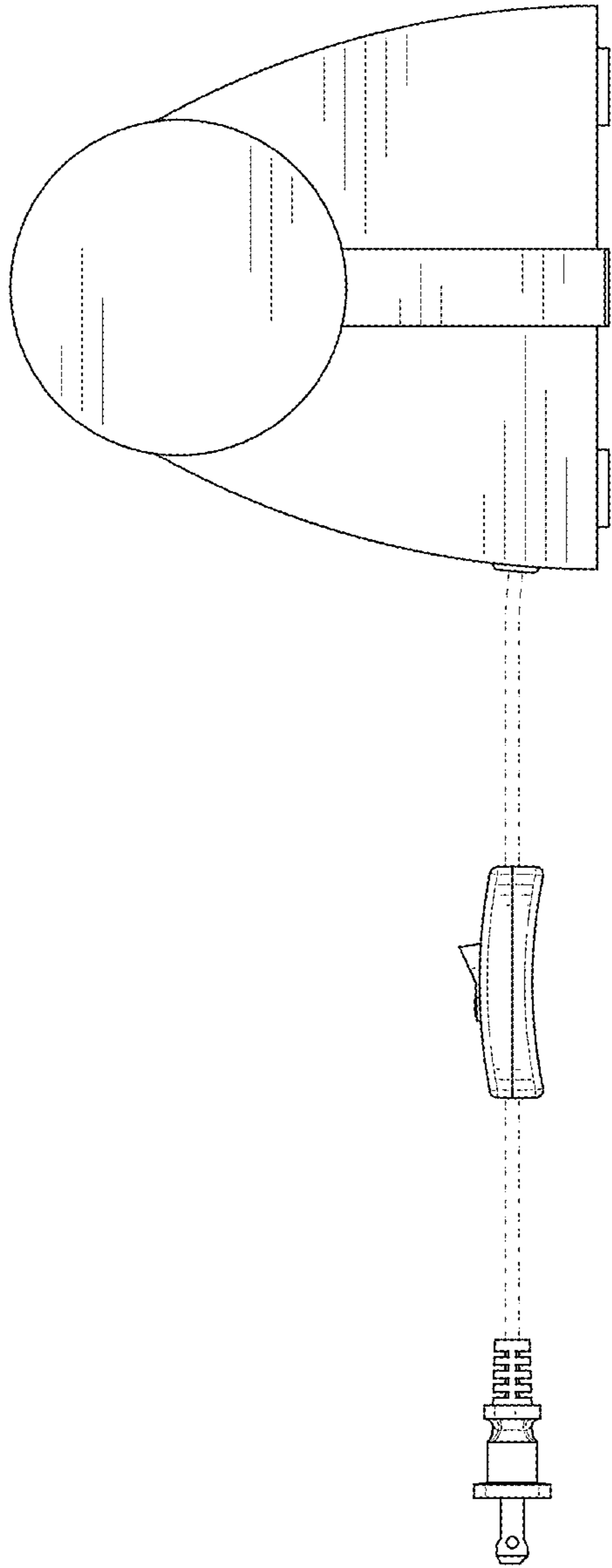


FIG. 5

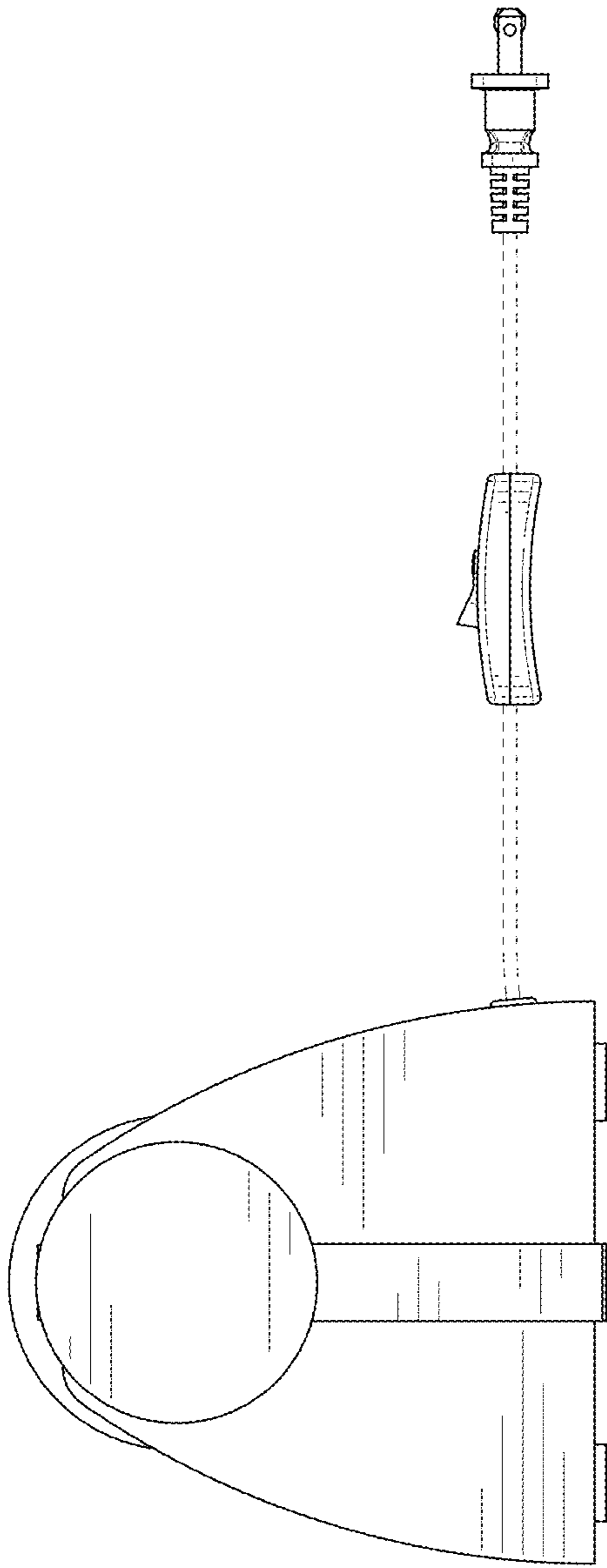


FIG. 6

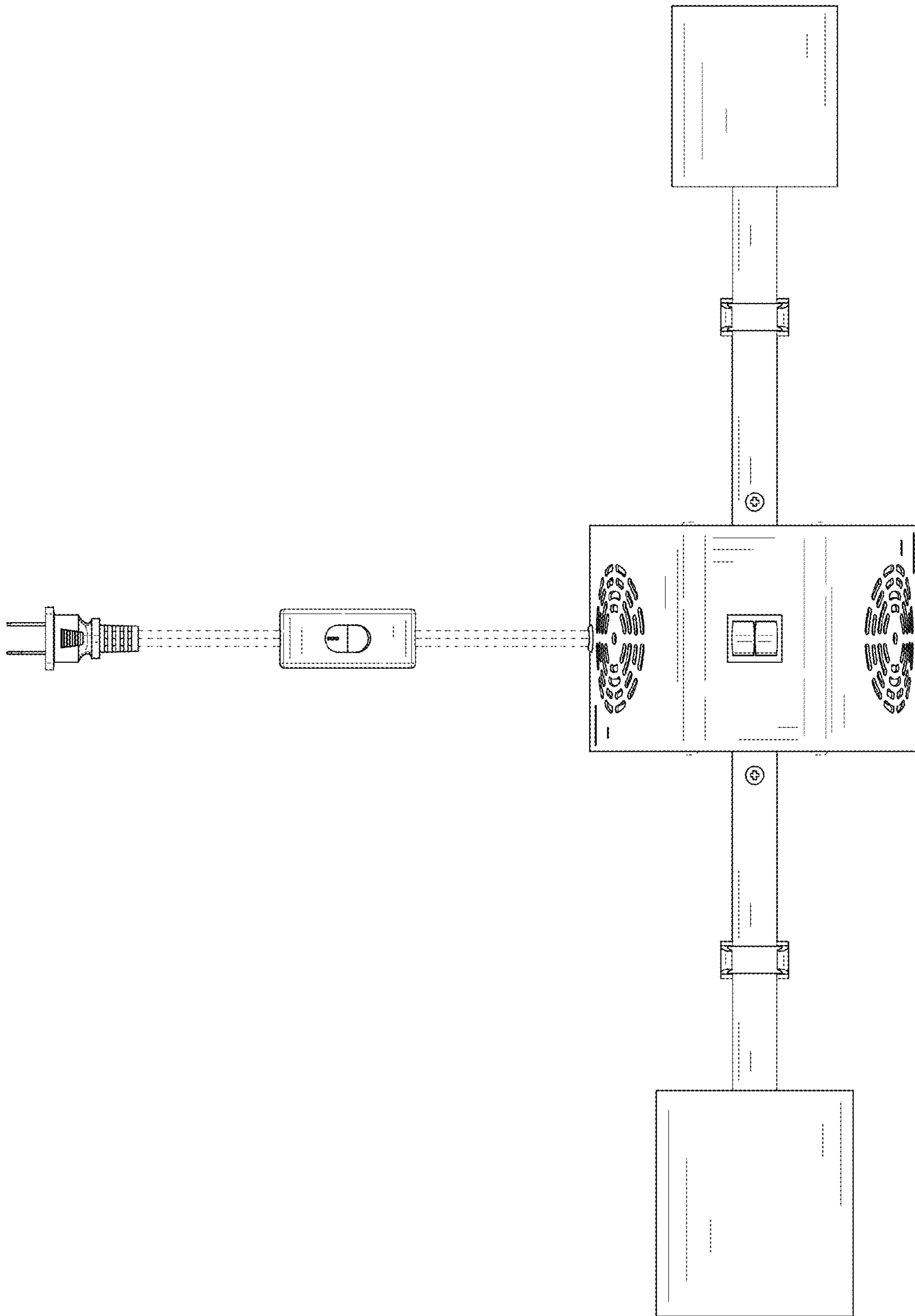


FIG. 7



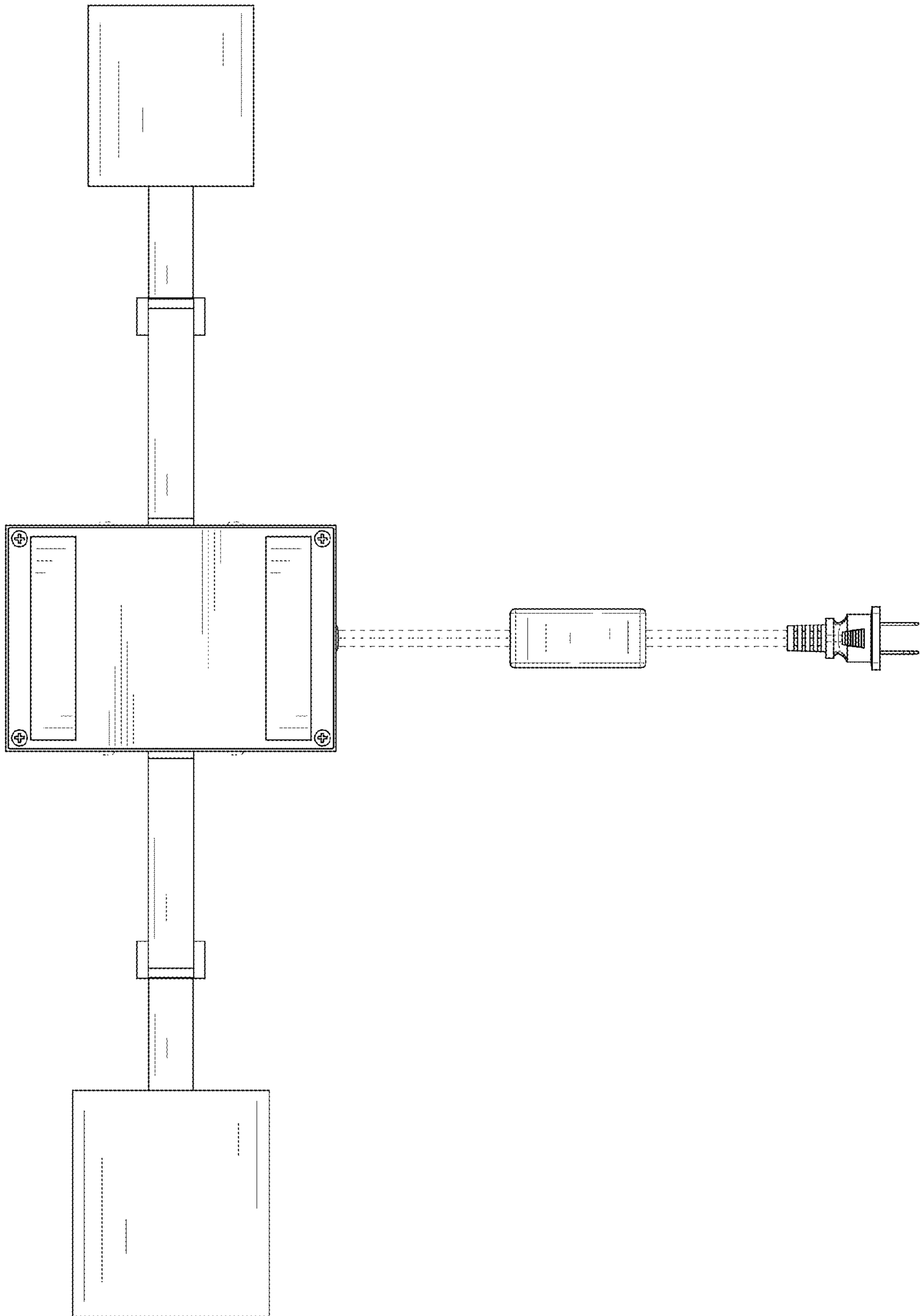


FIG. 8