



US00D943375S

(12) **United States Design Patent**  
**Palmeter**

(10) **Patent No.:** **US D943,375 S**

(45) **Date of Patent:** **\*\* Feb. 15, 2022**

(54) **APPARATUS FOR REMOVING RUST**

(71) Applicant: **Samuel Palmeter**, Caro, MI (US)

(72) Inventor: **Samuel Palmeter**, Caro, MI (US)

(\*\*) Term: **15 Years**

(21) Appl. No.: **29/746,057**

(22) Filed: **Aug. 11, 2020**

(51) **LOC (13) Cl.** ..... **08-05**

(52) **U.S. Cl.**  
USPC ..... **D8/61; D15/124**

(58) **Field of Classification Search**  
USPC ..... D8/29.1, 29.2, 30, 61, 67, 68; D15/124,  
D15/126, 138, 144, 144.1, 144.2, 199;  
D22/100, 108, 199  
CPC ..... A45D 20/08; A45D 20/10; F24H 3/0423;  
F24H 3/002  
See application file for complete search history.

(56) **References Cited**

**U.S. PATENT DOCUMENTS**

|               |         |           |       |                        |
|---------------|---------|-----------|-------|------------------------|
| D77,937 S *   | 3/1929  | Decker    | ..... | D8/69                  |
| 3,157,947 A * | 11/1964 | Oleson    | ..... | B27M 1/00<br>30/273    |
| 3,193,908 A * | 7/1965  | White     | ..... | B08B 7/022<br>29/81.14 |
| 3,837,409 A * | 9/1974  | Consoli   | ..... | B25D 17/26<br>173/48   |
| 4,039,034 A * | 8/1977  | Wagner    | ..... | B21J 15/18<br>173/137  |
| 4,694,546 A * | 9/1987  | Rawlings  | ..... | B08B 1/02<br>29/81.14  |
| D292,368 S *  | 10/1987 | Mikiya    | ..... | D8/61                  |
| 4,785,540 A * | 11/1988 | Arvidsson | ..... | B25F 5/02<br>173/170   |
| 4,858,811 A * | 8/1989  | Brosius   | ..... | B25C 1/143<br>227/10   |

|                   |         |          |       |                        |
|-------------------|---------|----------|-------|------------------------|
| D332,736 S *      | 1/1993  | Mikiya   | ..... | D8/68                  |
| D377,302 S *      | 1/1997  | Kazamaki | ..... | D8/61                  |
| 5,795,216 A *     | 8/1998  | Graves   | ..... | B24B 55/102<br>451/356 |
| D401,128 S *      | 11/1998 | Zurwelle | ..... | D8/64                  |
| D411,426 S *      | 6/1999  | Morita   | ..... | D8/69                  |
| D434,627 S *      | 12/2000 | Buck     | ..... | D8/64                  |
| D440,849 S *      | 4/2001  | Sakai    | ..... | D8/64                  |
| D468,982 S *      | 1/2003  | Brazell  | ..... | D8/64                  |
| D480,616 S *      | 10/2003 | Welsh    | ..... | D8/64                  |
| D525,845 S *      | 8/2006  | Welsh    | ..... | D8/64                  |
| 7,117,779 B1 *    | 10/2006 | O'Dwyer  | ..... | B25F 5/00<br>89/1.14   |
| D591,130 S *      | 4/2009  | Palermo  | ..... | D8/69                  |
| D602,322 S *      | 10/2009 | Chu      | ..... | D8/67                  |
| D606,377 S *      | 12/2009 | Ho       | ..... | D8/69                  |
| D805,364 S *      | 12/2017 | Gu       | ..... | D8/69                  |
| 2007/0267206 A1 * | 11/2007 | Chen     | ..... | B25B 21/00<br>173/170  |
| 2010/0212095 A1 * | 8/2010  | Suen     | ..... | B44D 3/164<br>15/105   |
| 2019/0099788 A1 * | 4/2019  | Eckhold  | ..... | B25F 5/02              |

\* cited by examiner

*Primary Examiner* — Patricia A Palasik

(74) *Attorney, Agent, or Firm* — Inventa Capital PLC

(57) **CLAIM**

I claim the ornamental design for an apparatus for removing rust, as shown and described.

**DESCRIPTION**

FIG. 1 is a bottom view of an apparatus for removing rust; FIG. 2 is a top view of the apparatus; FIG. 3 is a right side view of the apparatus; FIG. 4 is a left side view of the apparatus; FIG. 5 is a rear view of the apparatus; FIG. 6 is a front view of the apparatus; FIG. 7 is a front perspective view of the apparatus; and, FIG. 8 is a rear perspective view of the apparatus.

**1 Claim, 8 Drawing Sheets**

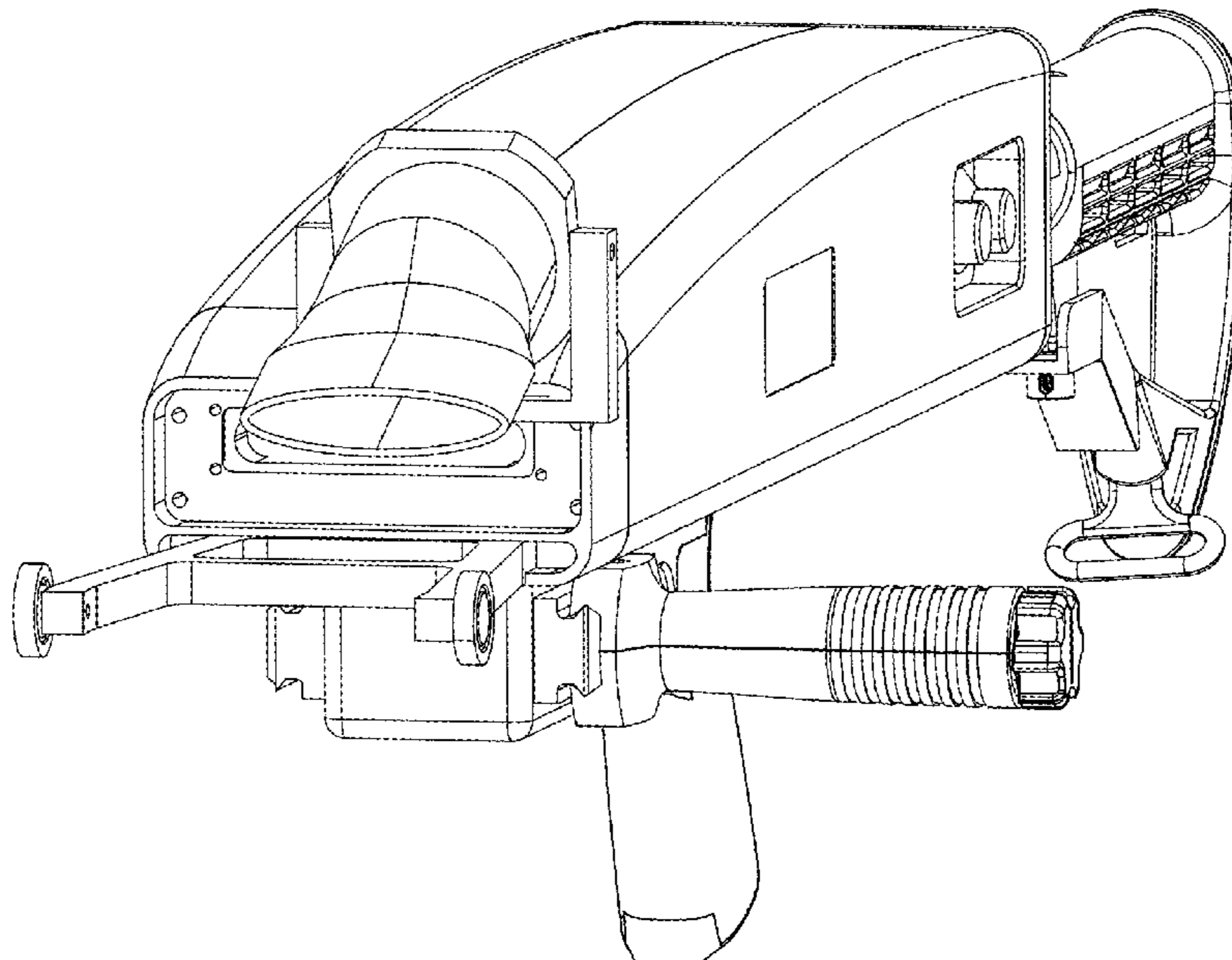


FIGURE 1

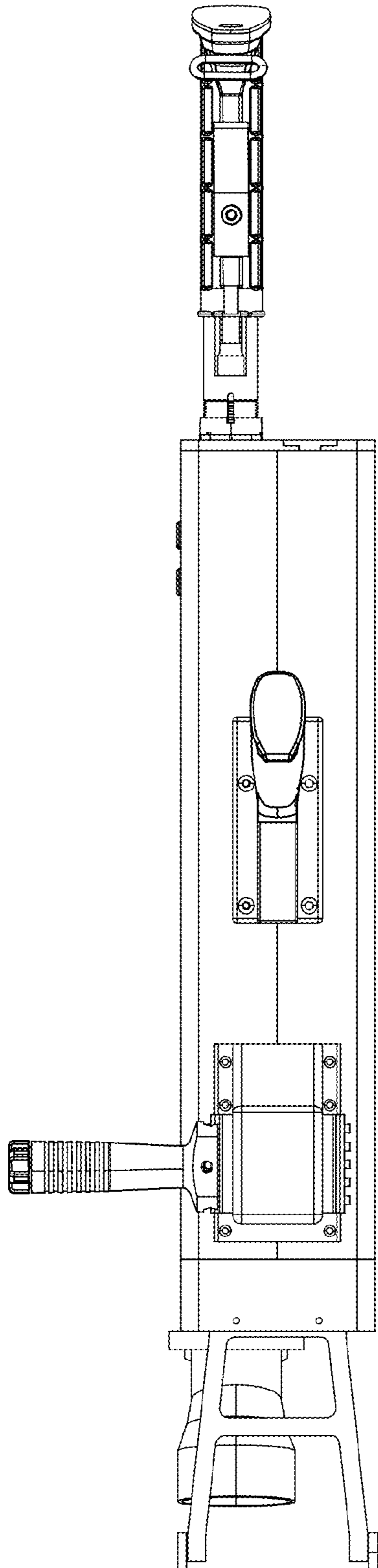


FIGURE 2

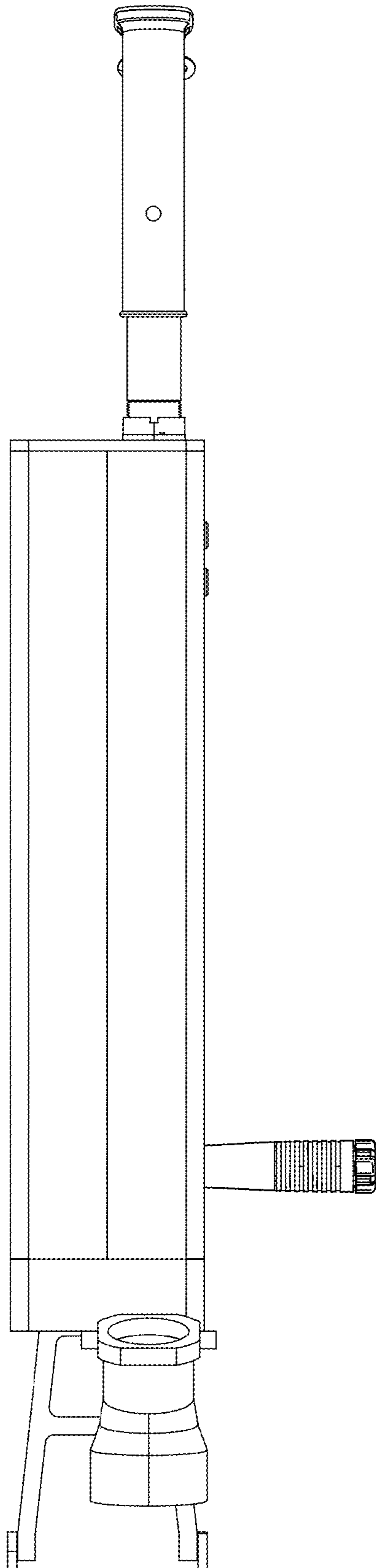


FIGURE 3

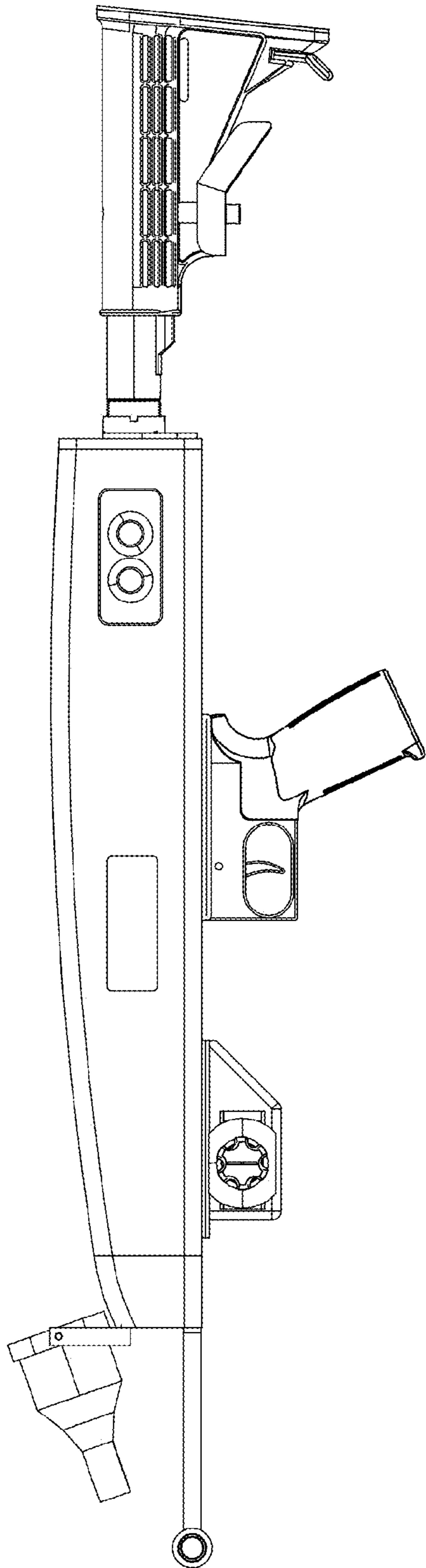
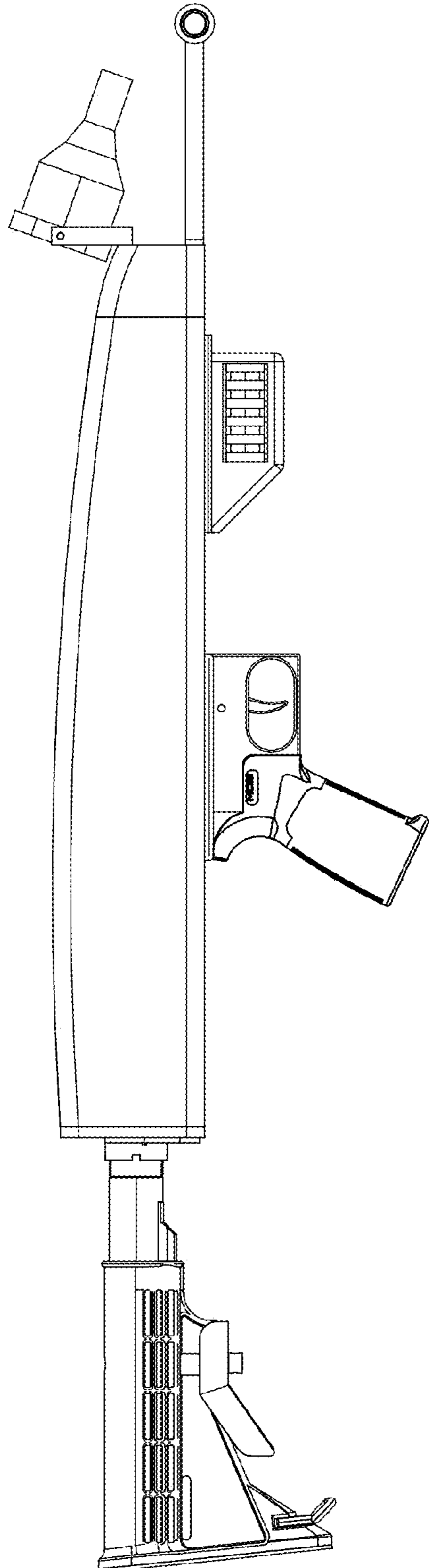


FIGURE 4



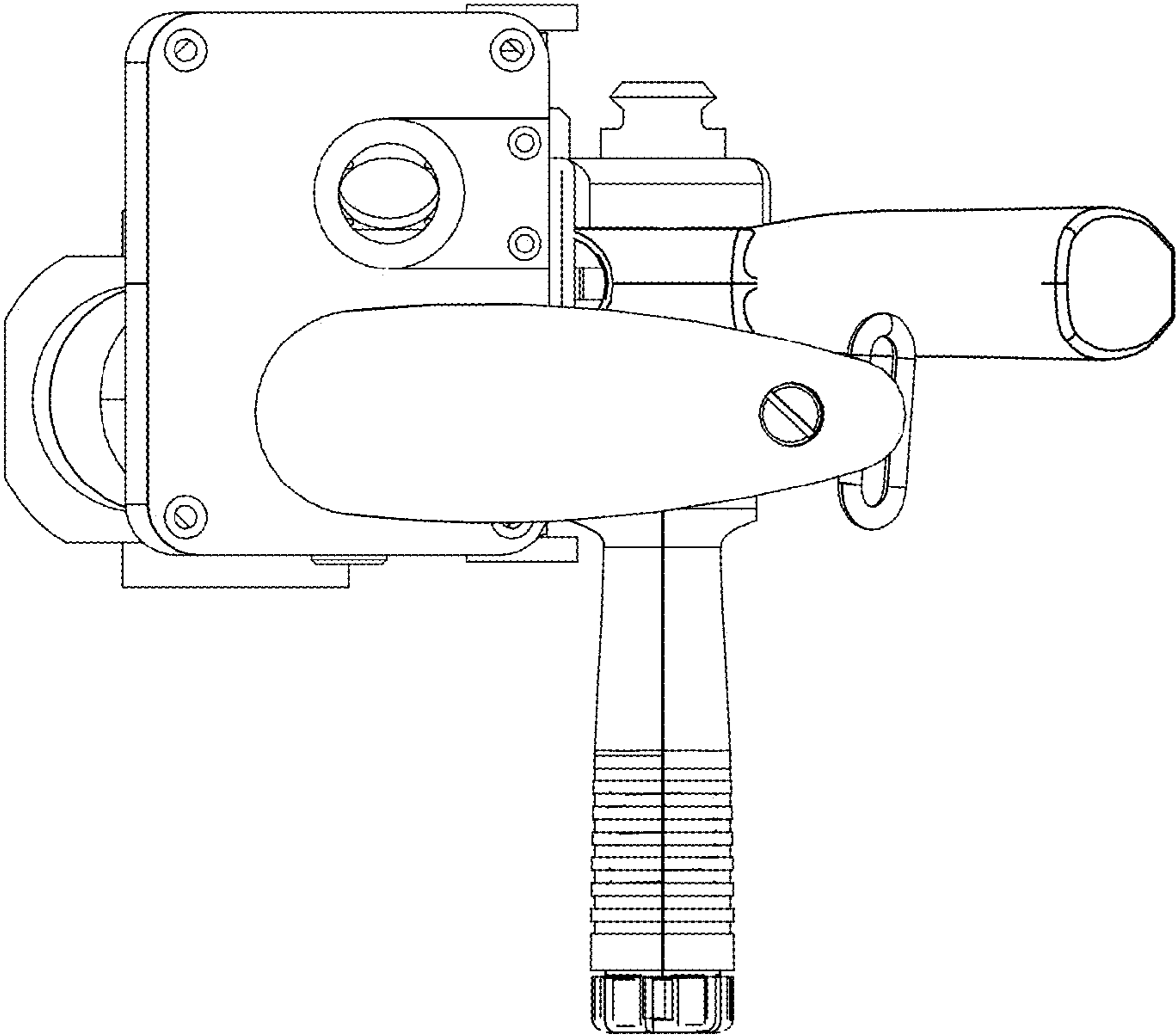


FIGURE 5

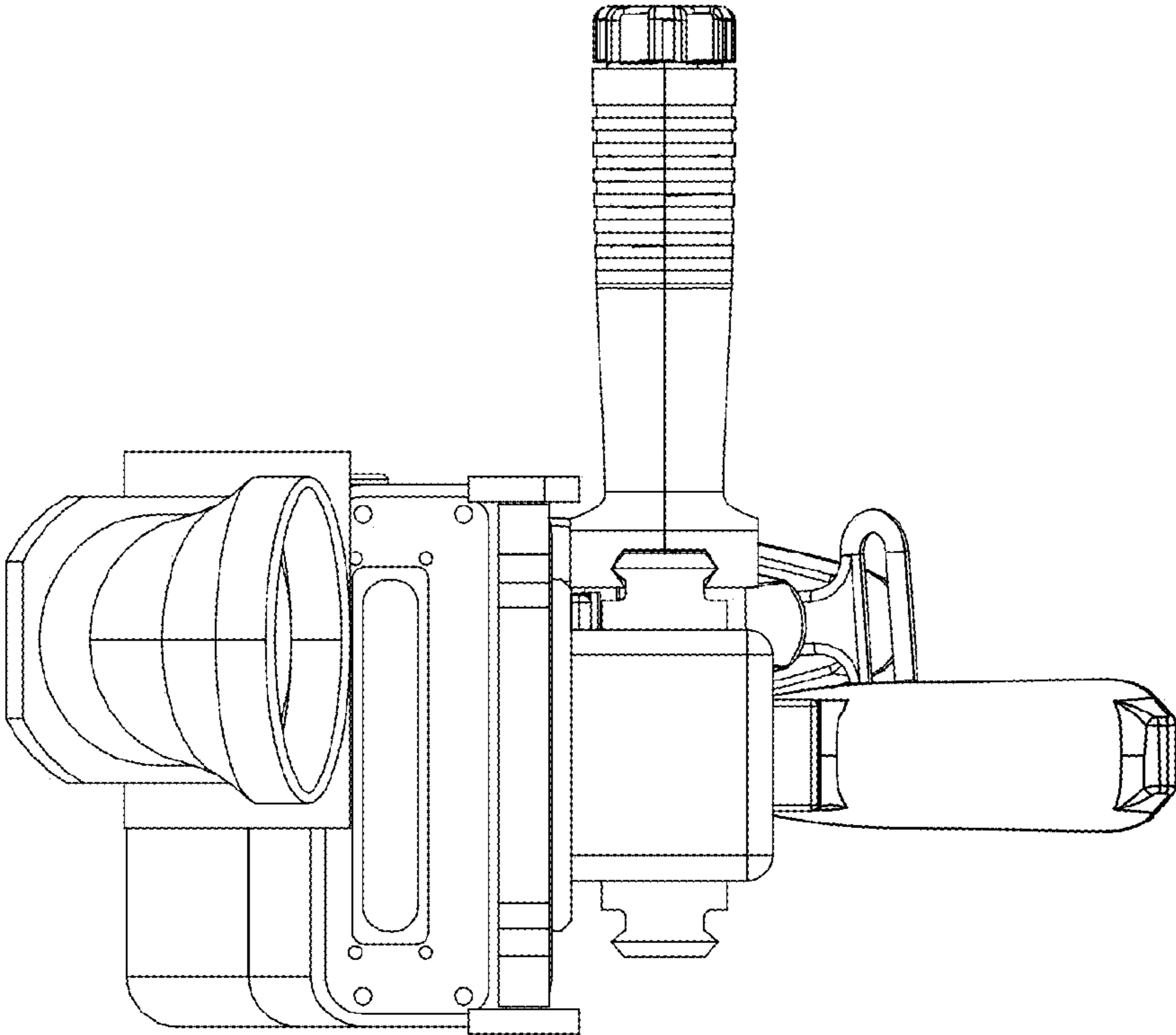
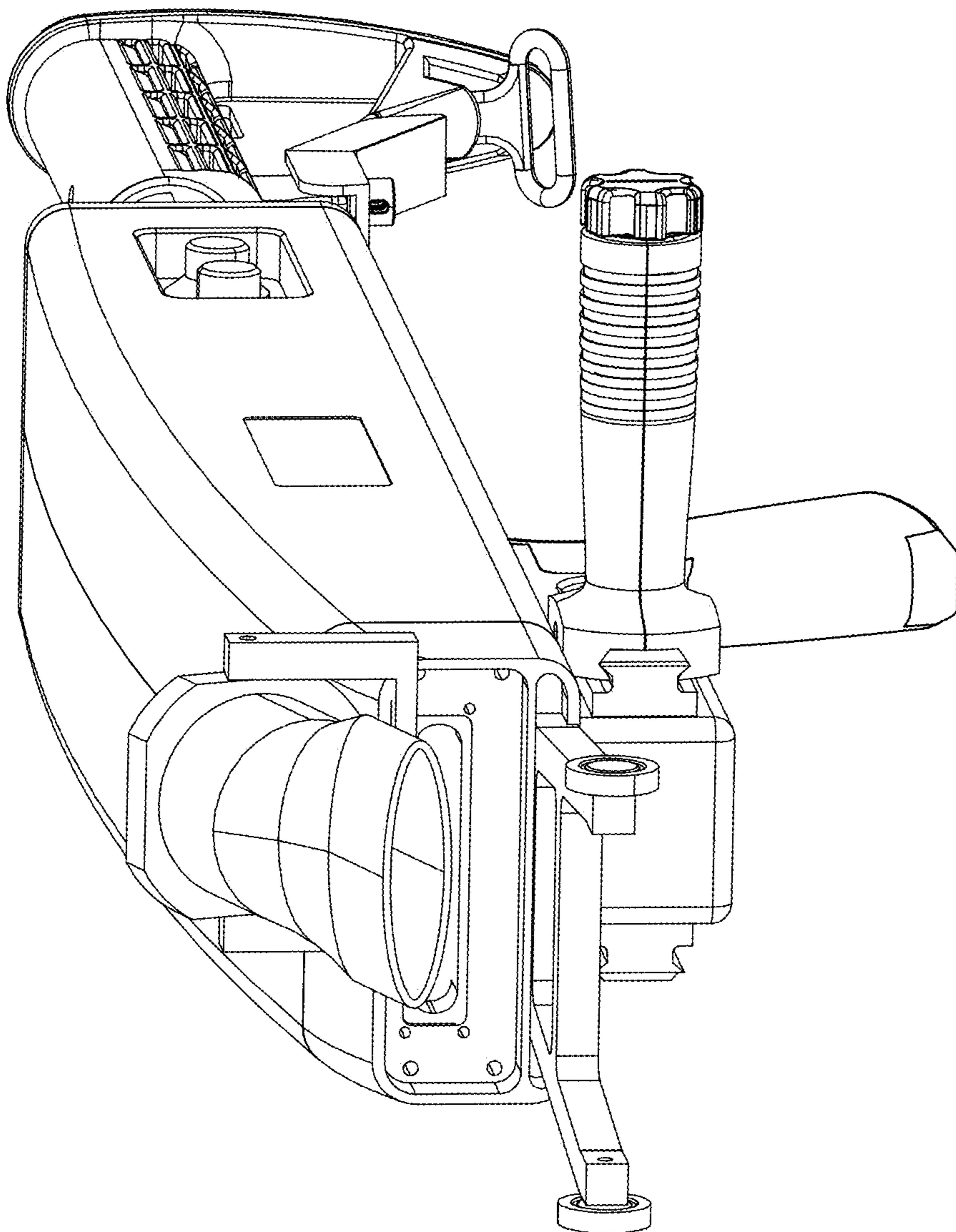


FIGURE 6

FIGURE 7





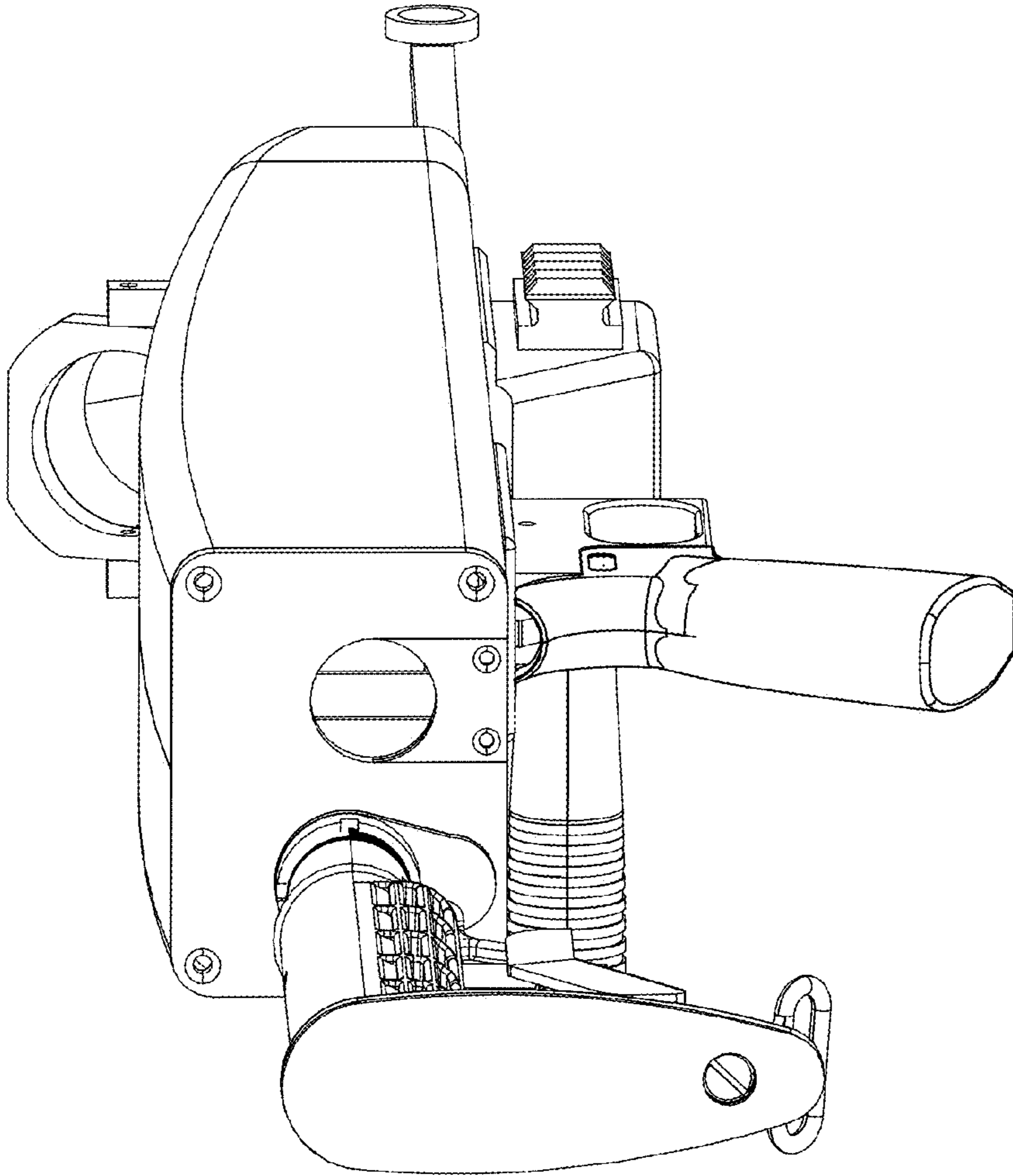


FIGURE 8