



US00D943374S

(12) **United States Design Patent**
Groten et al.

(10) **Patent No.:** **US D943,374 S**

(45) **Date of Patent:** **** Feb. 15, 2022**

(54) **TUBE CUTTER**

(71) Applicant: **Zenten Bernhard Groten, S.L.**, Irun (ES)

(72) Inventors: **Alberto Groten**, Irun (ES); **Manuel Aizpurua**, Irun (ES)

(73) Assignee: **Zenten Bernhard Groten, S.L.**, Guipúzcoa (ES)

(**) Term: **15 Years**

(21) Appl. No.: **29/712,025**

(22) Filed: **Nov. 5, 2019**

(51) **LOC (13) Cl.** **08-03**

(52) **U.S. Cl.**
USPC **D8/60**

(58) **Field of Classification Search**
USPC D8/51-60
CPC B26D 3/169
See application file for complete search history.

(56) **References Cited**

U.S. PATENT DOCUMENTS

D361,705 S	*	8/1995	Birkholz	D8/57
D365,005 S	*	12/1995	Birkholz	D8/57
D368,008 S	*	3/1996	Golinelli	D8/57

D384,869 S	*	10/1997	Aubriot	D8/52
D420,555 S	*	2/2000	Chang	D8/5
D453,287 S	*	2/2002	Picaza	D8/52
D796,287 S	*	9/2017	Groten	D8/60
D796,288 S	*	9/2017	Groten	D8/60
D796,290 S	*	9/2017	Groten	D8/60
D893,275 S	*	8/2020	Weber	D8/57

* cited by examiner

Primary Examiner — Deanna L Pratt

(74) *Attorney, Agent, or Firm* — Cook Alex Ltd.

(57) **CLAIM**

The ornamental design for the tube cutter, as shown and described.

DESCRIPTION

FIG. 1 is a front perspective view of a tube cutter showing our new design;

FIG. 2 is a rear perspective view of the tube cutter of FIG. 1;

FIG. 3 is a front view of the tube cutter of FIG. 1;

FIG. 4 a rear view of the tube cutter of FIG. 1;

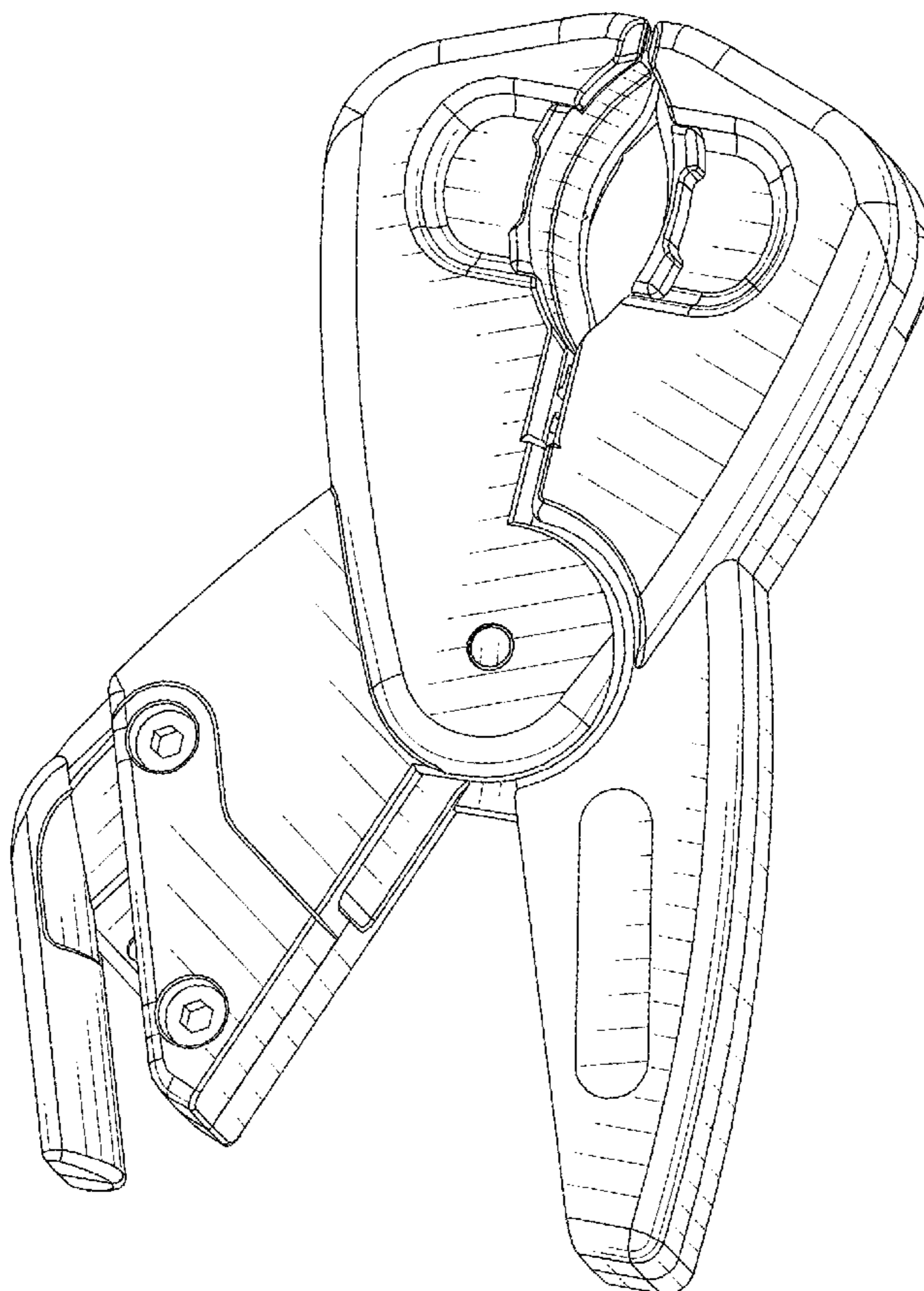
FIG. 5 is an elevational end view of the tube cutter taken from the right-hand side of FIG. 3;

FIG. 6 is an elevational end view of the tube cutter taken from the left-hand side of FIG. 5;

FIG. 7 is a top view of the tube cutter of FIG. 3; and,

FIG. 8 is a bottom view of the tube cutter of FIG. 3.

1 Claim, 6 Drawing Sheets



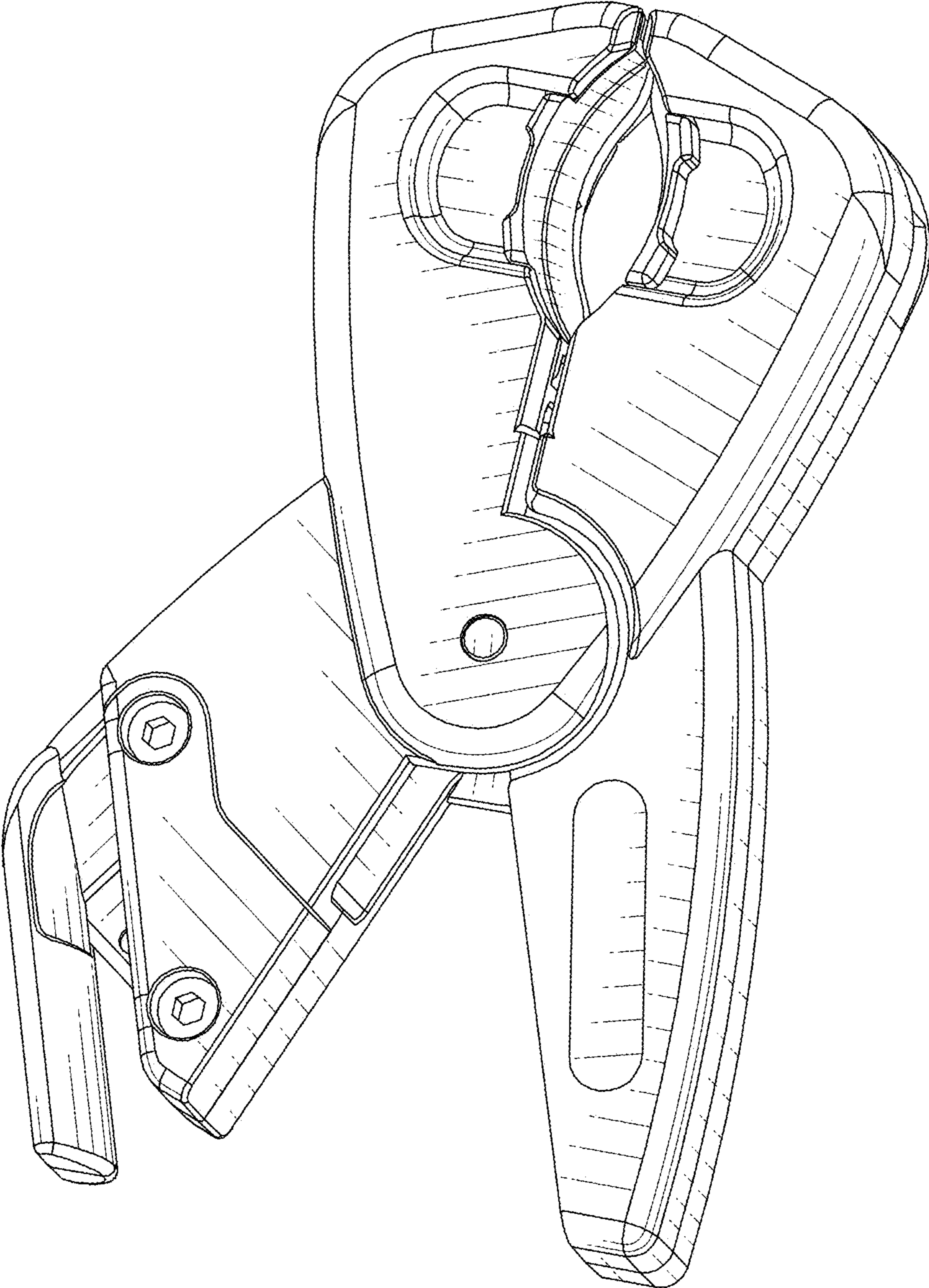


Fig. 1

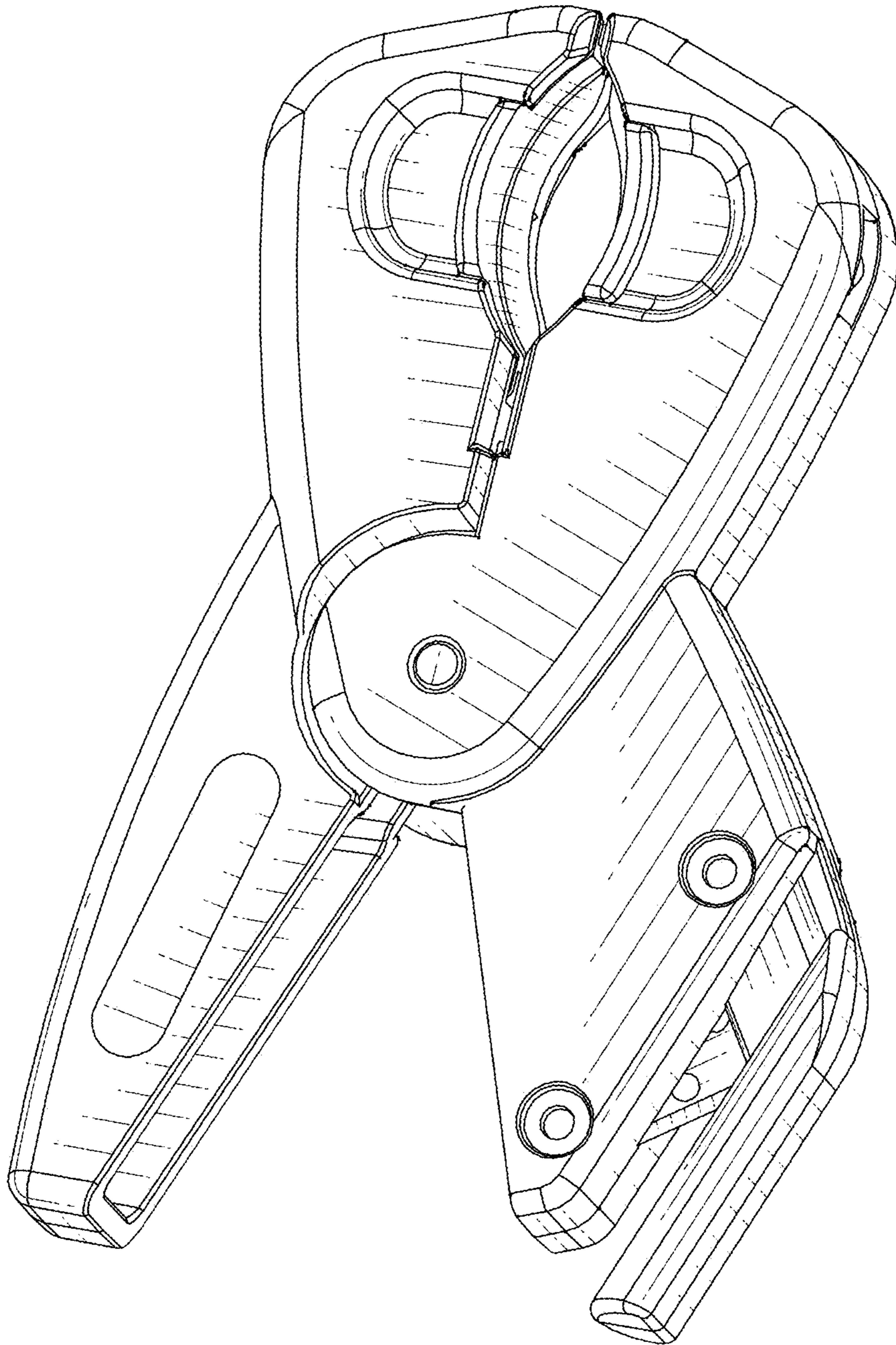


Fig. 2

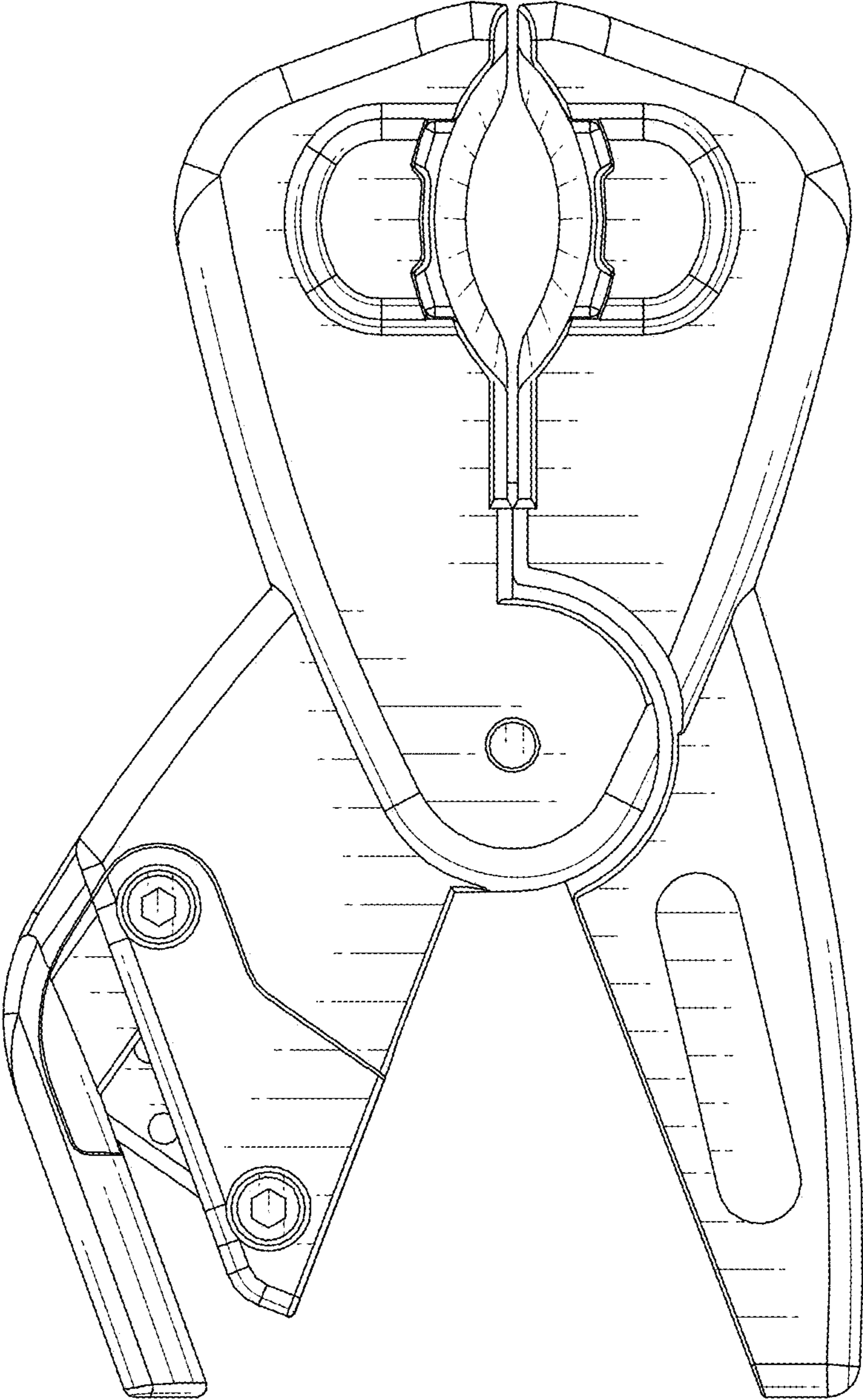


Fig. 3

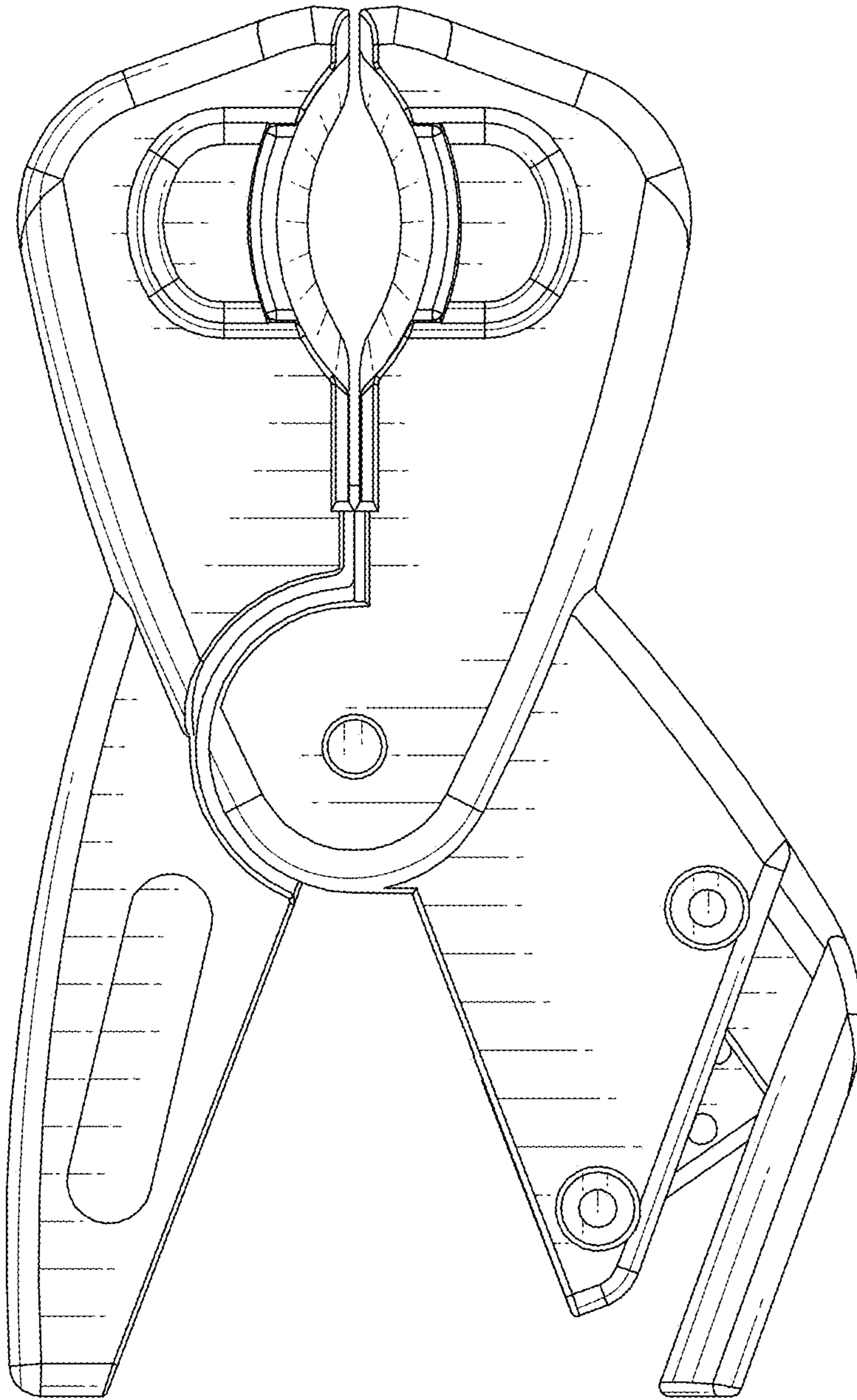


Fig. 4

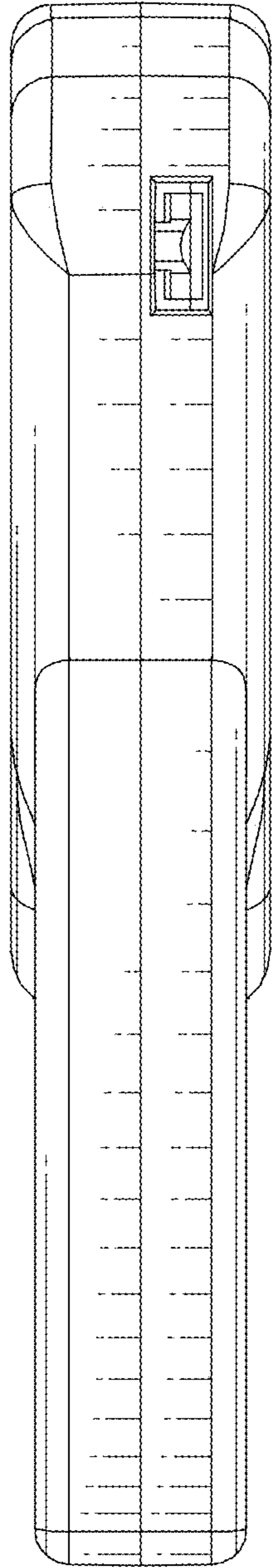


Fig. 5

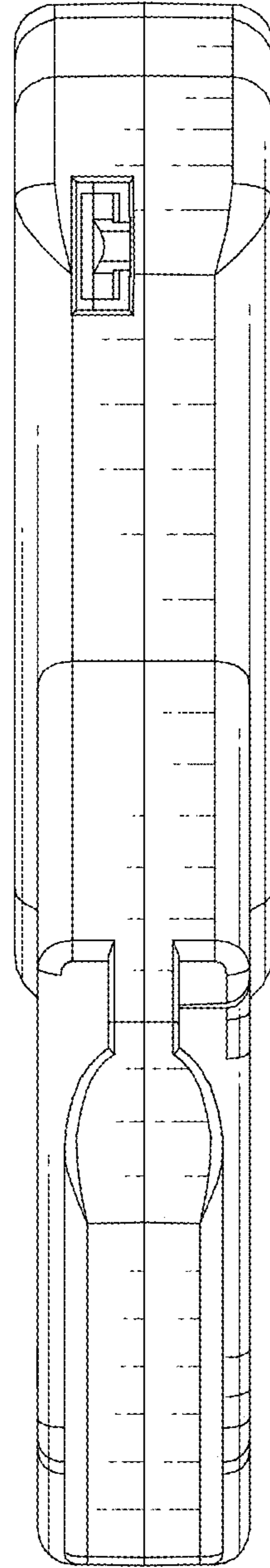


Fig. 6

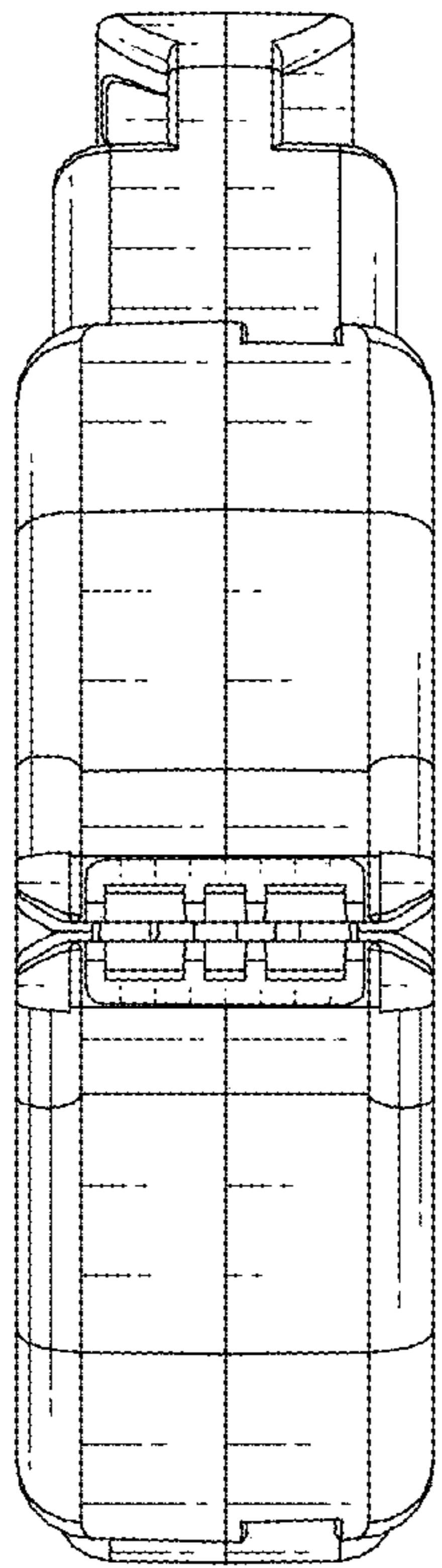


Fig. 7

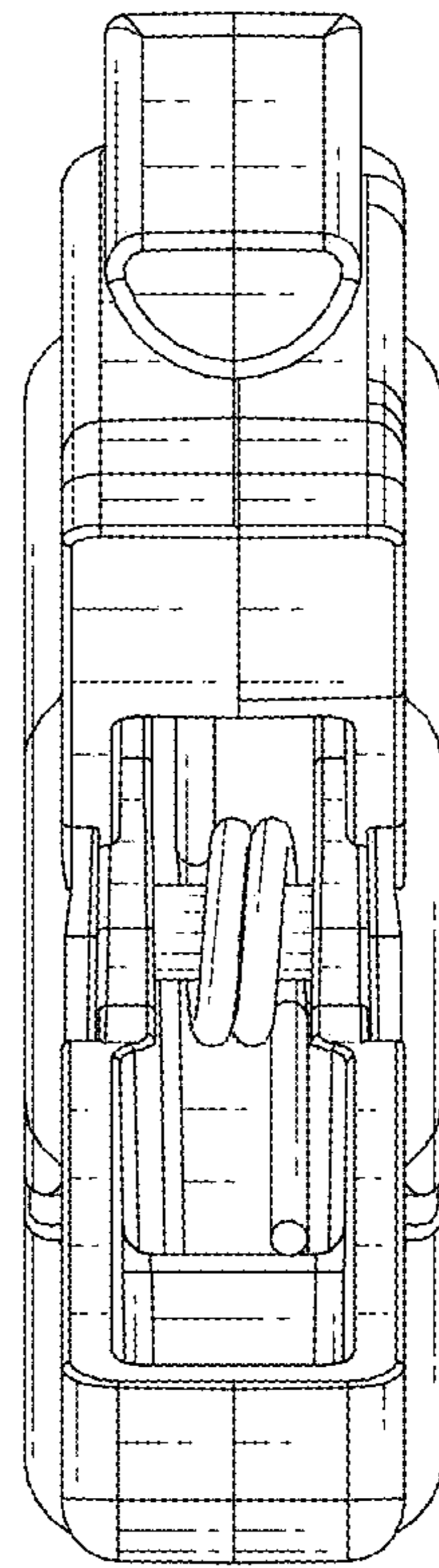


Fig. 8