



US00D943372S

(12) **United States Design Patent**
Feit

(10) **Patent No.:** **US D943,372 S**

(45) **Date of Patent:** **** Feb. 15, 2022**

(54) **WATER FLOAT WINDUP DEVICE**

(71) Applicant: **ForeShore, LLC**, Chenoa, IL (US)

(72) Inventor: **Peter Feit**, Chenoa, IL (US)

(73) Assignee: **ForeShore, LLC**, Chenoa, IL (US)

(**) Term: **15 Years**

(21) Appl. No.: **29/692,240**

(22) Filed: **May 23, 2019**

(51) **LOC (13) Cl.** **08-05**

(52) **U.S. Cl.**
USPC **D8/14**

(58) **Field of Classification Search**
USPC D8/4, 5, 14, 51-59, 309, 359
CPC .. Y10T 74/20744; Y10T 16/469; B25F 1/003;
B25F 1/02; B25F 1/04
See application file for complete search history.

(56) **References Cited**

U.S. PATENT DOCUMENTS

- 1,352,638 A * 9/1920 Thompson B24B 15/08
451/117
- 2,640,382 A * 6/1953 Grossman B25B 27/0042
81/119
- 5,003,848 A * 4/1991 Ceccucci, Jr. B25B 13/48
294/99.1
- 5,365,808 A * 11/1994 Palmer B25B 13/02
81/176.1

- 5,526,713 A * 6/1996 Walter G05G 1/085
403/103
- D492,569 S * 7/2004 Pecci D32/34
- 8,365,377 B1 * 2/2013 Basiliere B25B 27/16
29/243.55
- D754,499 S * 4/2016 Blood D8/14
- D857,447 S * 8/2019 Savage D7/393

* cited by examiner

Primary Examiner — Zenia I Bennett

(74) *Attorney, Agent, or Firm* — The Watson IP Group, PLC; Jovan N. Jovanovic

(57) **CLAIM**

The ornamental design for a water float windup device, as shown and described.

DESCRIPTION

FIG. 1 of the drawings is a top perspective view of the water float windup device showing, in particular, the ornamental design thereof;

FIG. 2 of the drawings is a bottom perspective view thereof;

FIG. 3 of the drawings is a top plan view thereof;

FIG. 4 of the drawings is a bottom plan view thereof;

FIG. 5 of the drawings is a first side view thereof;

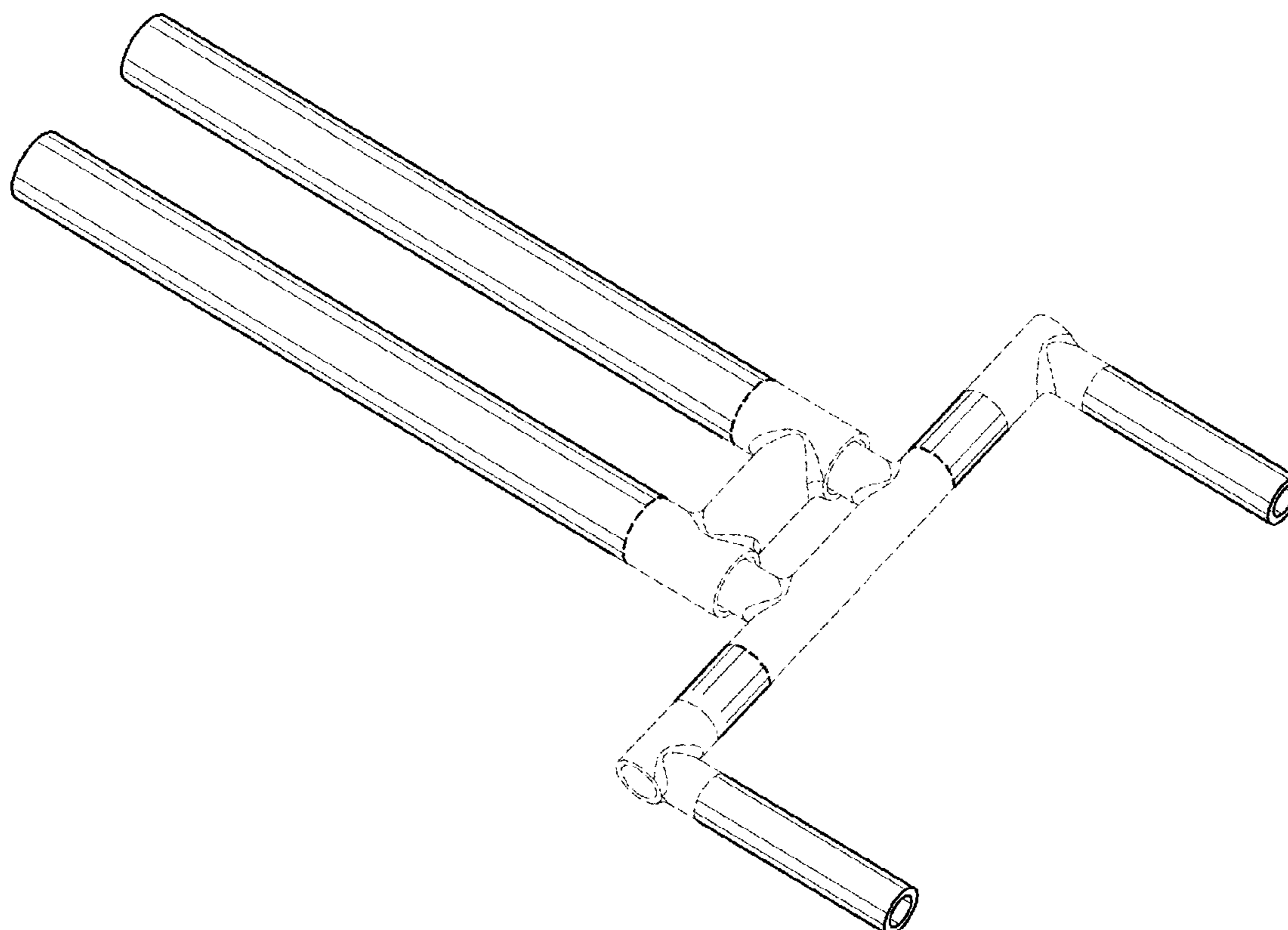
FIG. 6 of the drawings is a second side view thereof;

FIG. 7 of the drawings is a top plan view thereof; and,

FIG. 8 of the drawings is a bottom plan view thereof.

The broken lines in the drawing depicting portions of the water float windup device are for illustrative purposes only and form no part of the claimed design.

1 Claim, 7 Drawing Sheets



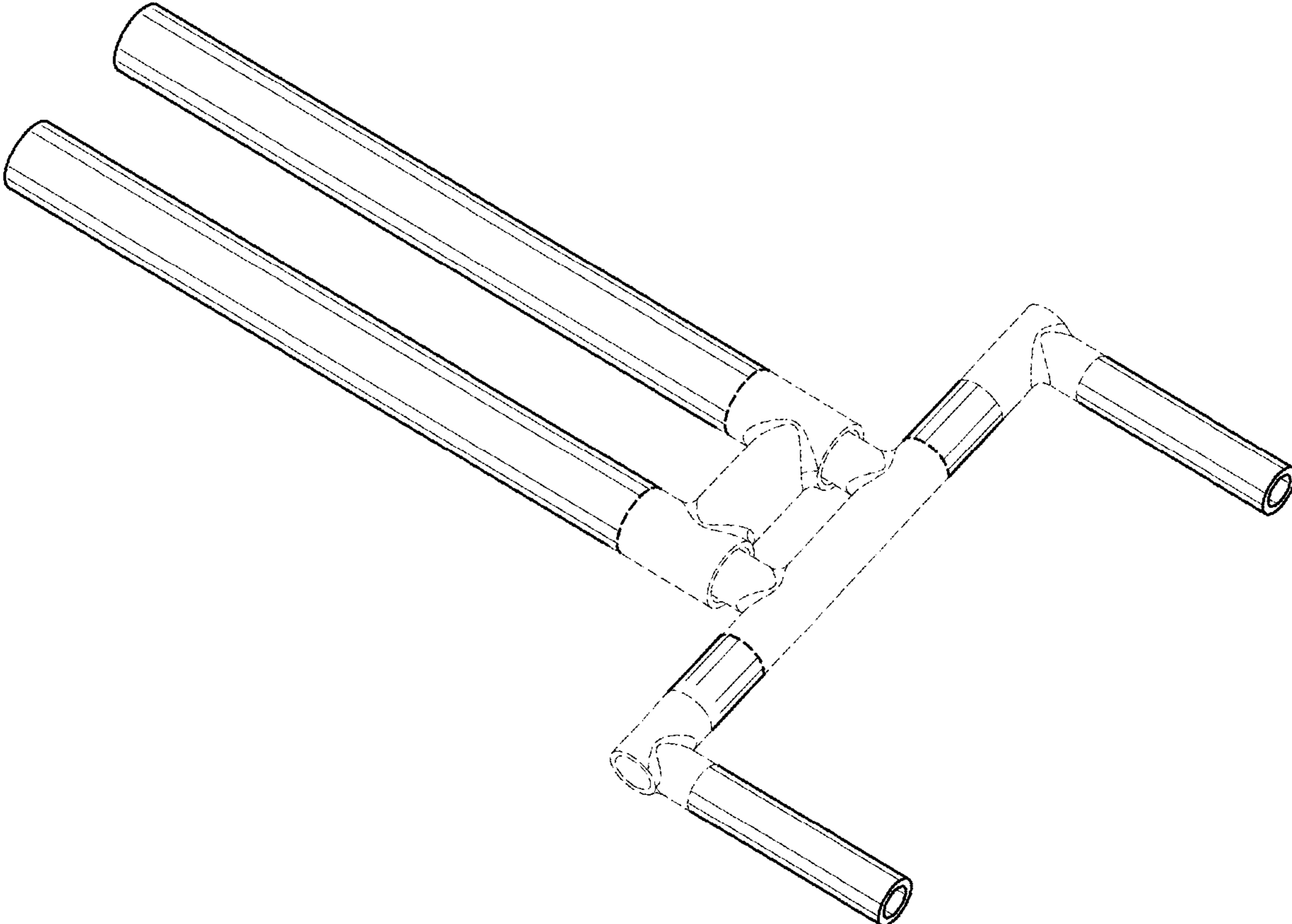


FIG. 1

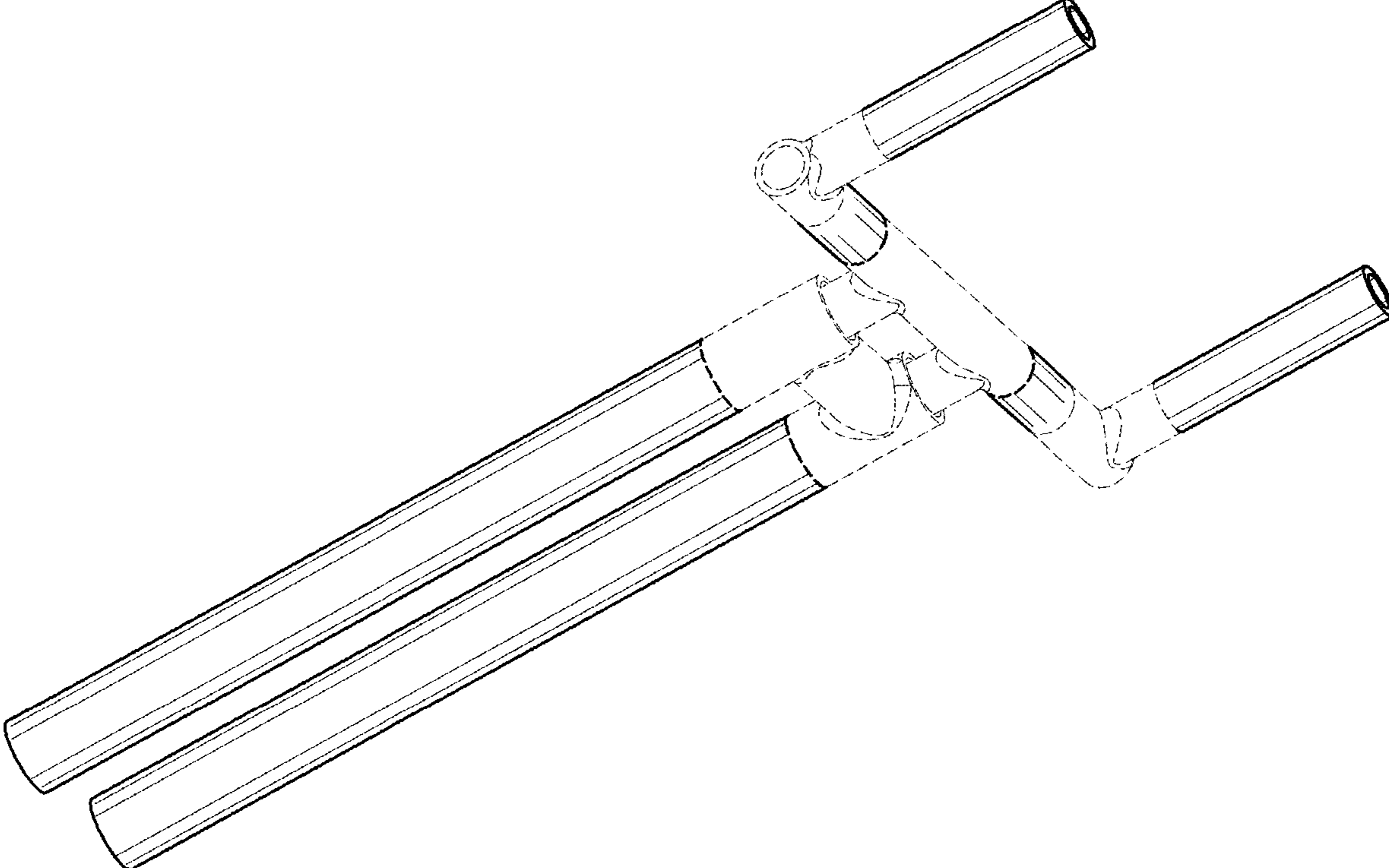


FIG. 2

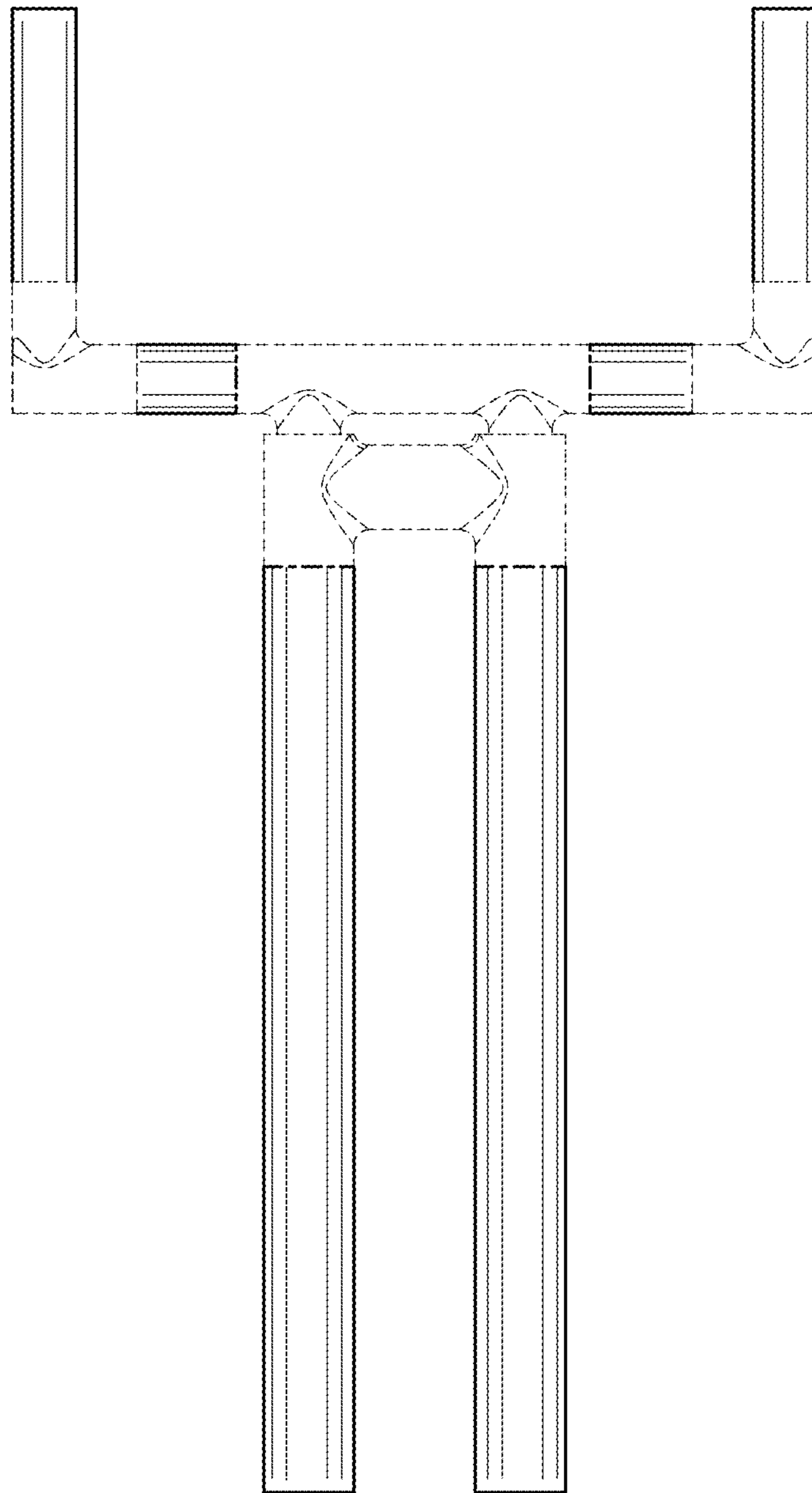


FIG. 3

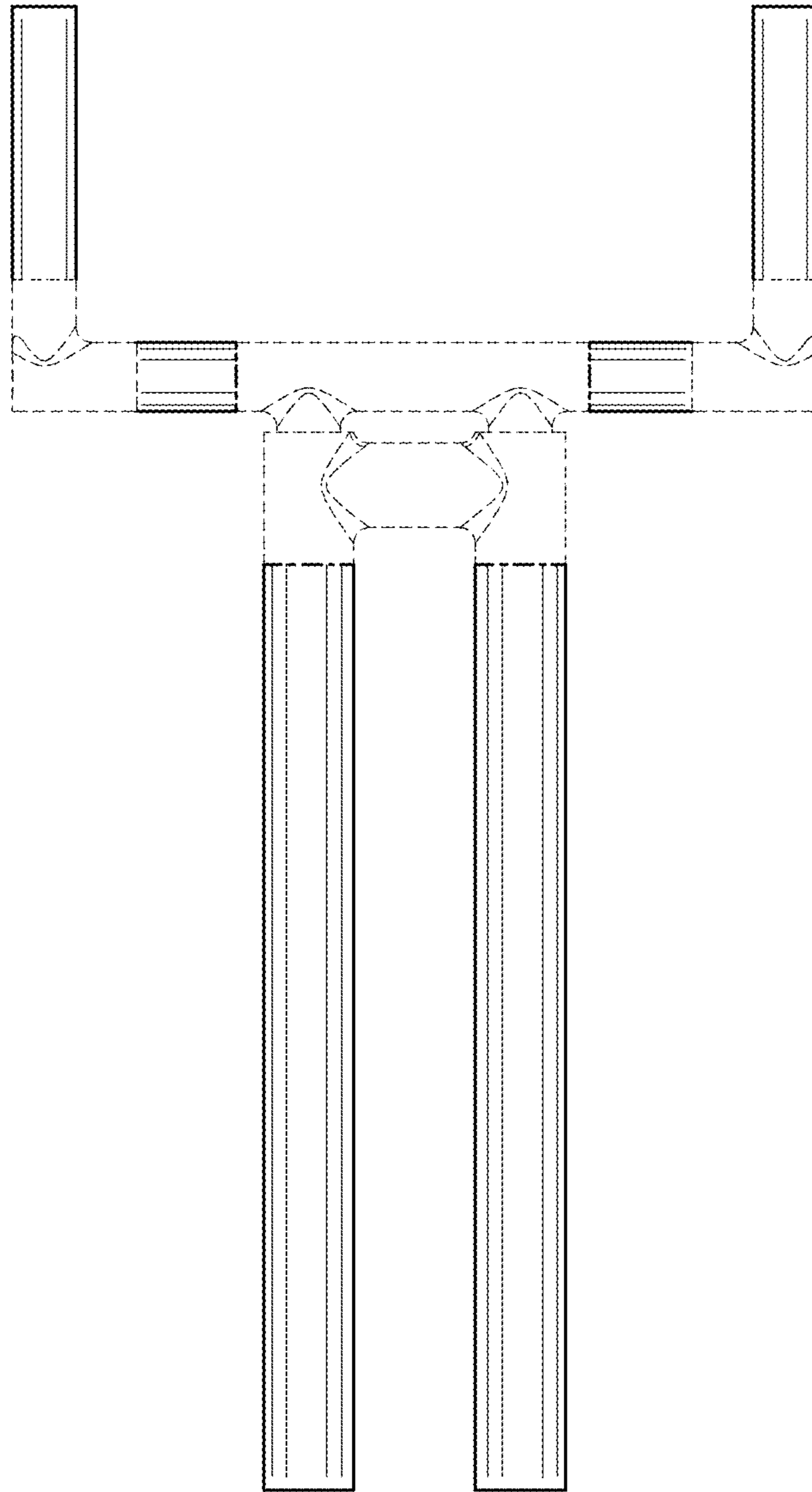


FIG. 4



FIG. 5



FIG. 6

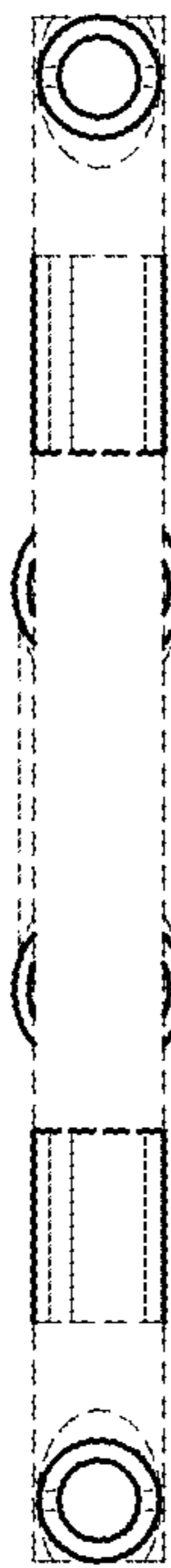


FIG. 7

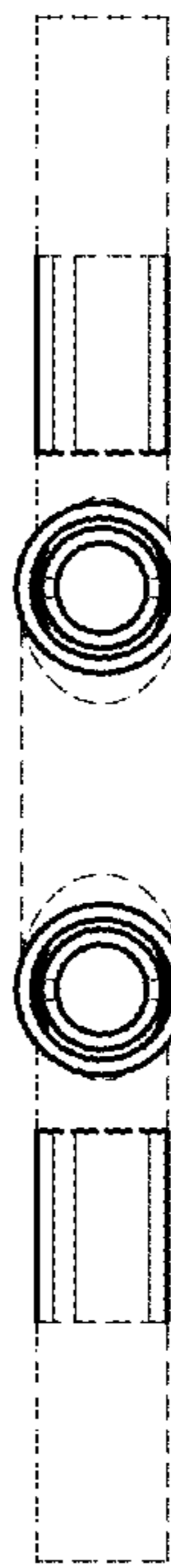


FIG. 8