



US00D943371S

(12) **United States Design Patent**
Hua et al.

(10) **Patent No.:** **US D943,371 S**

(45) **Date of Patent:** **** Feb. 15, 2022**

(54) **GARDEN FORK**

D715,118 S * 10/2014 Wofford D8/13
D769,683 S * 10/2016 Stein D8/13
D861,442 S * 10/2019 Rubinstein A01D 7/00
D8/13

(71) Applicant: **CIXI HUAZHJIE PLASTIC
PRODUCT CO., LTD.**, Zhejiang (CN)

(72) Inventors: **Jie Hua**, Zhejiang (CN); **Shimin Hua**,
Zhejiang (CN)

(73) Assignee: **CIXI HUAZHJIE PLASTIC
PRODUCT CO., LTD.**, Zhejiang (CN)

(**) Term: **15 Years**

(21) Appl. No.: **29/727,763**

(22) Filed: **Mar. 13, 2020**

(30) **Foreign Application Priority Data**

Dec. 16, 2019 (CN) 201930701793.3

(51) **LOC (13) Cl.** **08-03**

(52) **U.S. Cl.**
USPC **D8/13**

(58) **Field of Classification Search**
USPC D8/1, 6, 8, 13; D15/28, 29
CPC A01D 41/10; A01D 89/006; A01D 89/001
See application file for complete search history.

(56) **References Cited**

U.S. PATENT DOCUMENTS

4,744,208 A * 5/1988 King A01D 7/00
56/400.16
4,866,922 A * 9/1989 Clark A01D 7/00
56/400.04
D412,649 S * 8/1999 Najarian D8/1
D507,944 S * 8/2005 Crews D8/13
D577,967 S * 10/2008 Norton D8/13
D642,440 S * 8/2011 Boda D8/13
D678,013 S * 3/2013 Hua D8/13

FOREIGN PATENT DOCUMENTS

CN 303187771 * 4/2015

* cited by examiner

Primary Examiner — Rachel A. Voorhies

Assistant Examiner — Benjamin D. Wannemacher

(74) *Attorney, Agent, or Firm* — JCIPRNET

(57) **CLAIM**

The ornamental design for a garden fork, as shown and described.

DESCRIPTION

FIG. 1 is a perspective view of a garden fork showing our new design;

FIG. 2 is another perspective view thereof;

FIG. 3 is a front view thereof;

FIG. 4 is a rear view thereof;

FIG. 5 is a left side view thereof;

FIG. 6 is a right side view thereof;

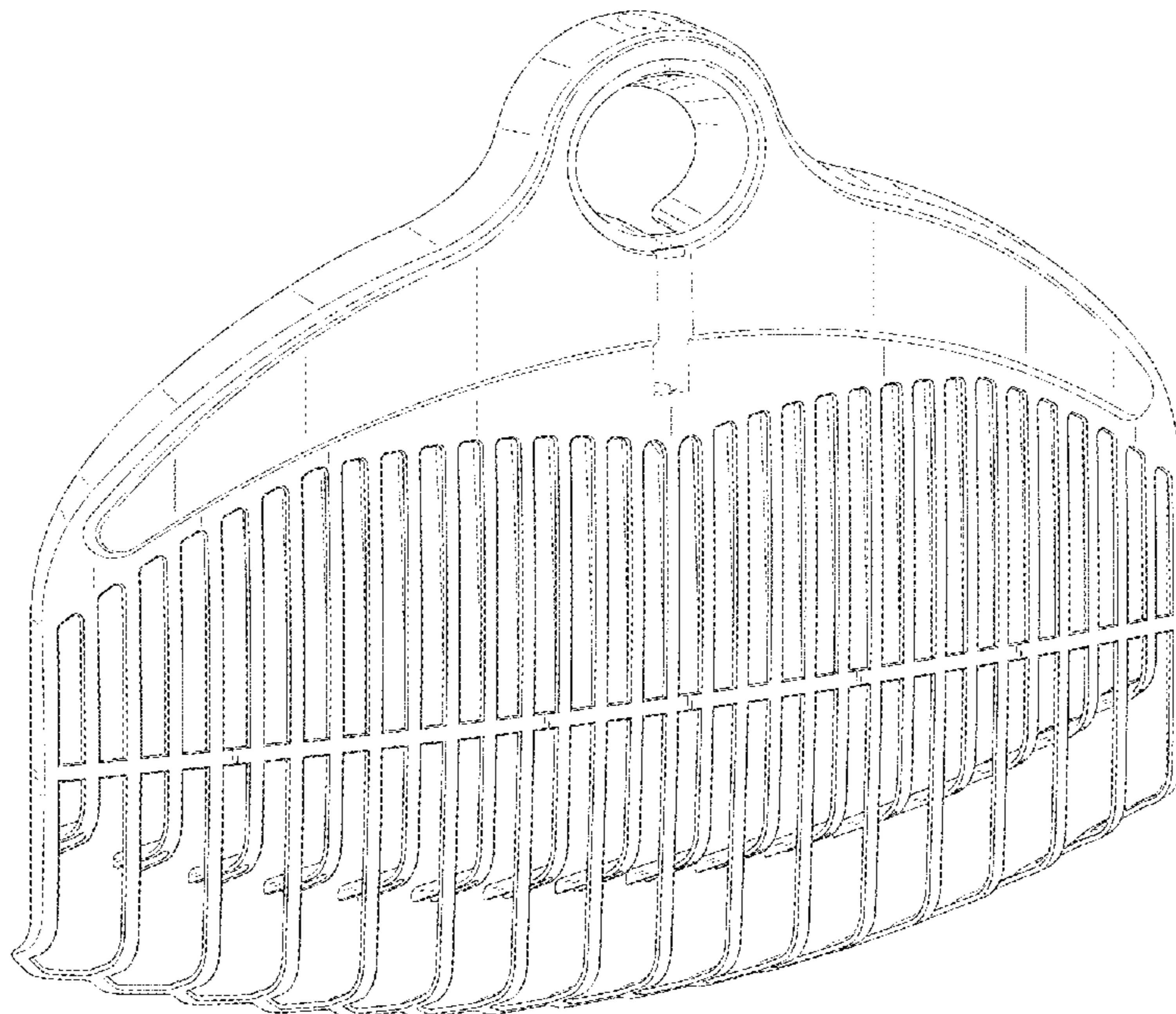
FIG. 7 is a top view thereof;

FIG. 8 is a bottom view thereof; and,

FIG. 9 is a perspective view thereof, showing the status while in use.

The dashed broken lines illustrate portions of the garden fork that form no part of the claimed design. The long dash short dash broken lines represent the boundaries of the claimed design, and form no part thereof. The dashed broken lines showing a stick in FIG. 9 are for the purpose of illustrating environmental structure, and form no part of the claimed design.

1 Claim, 7 Drawing Sheets



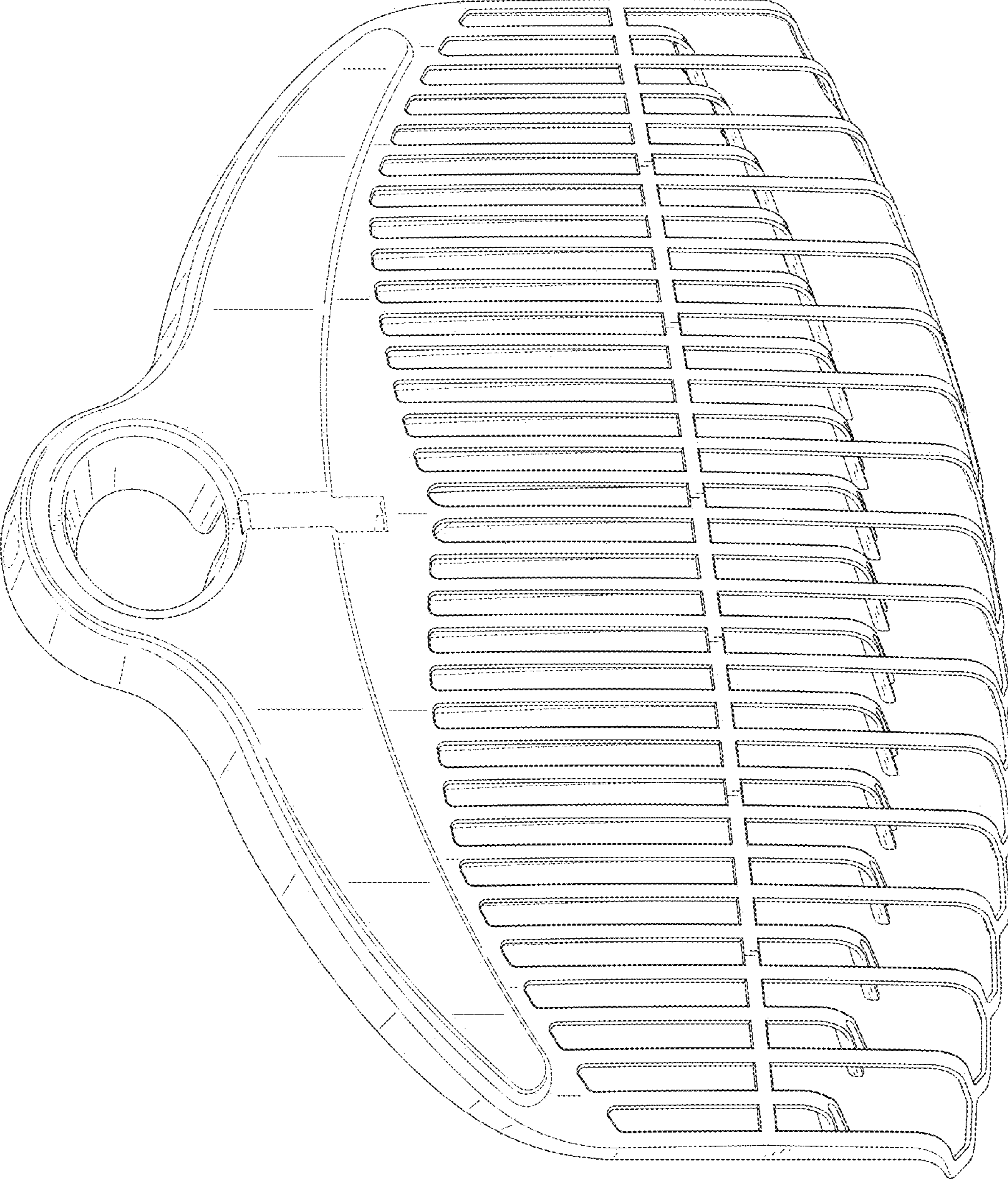


FIG. 1

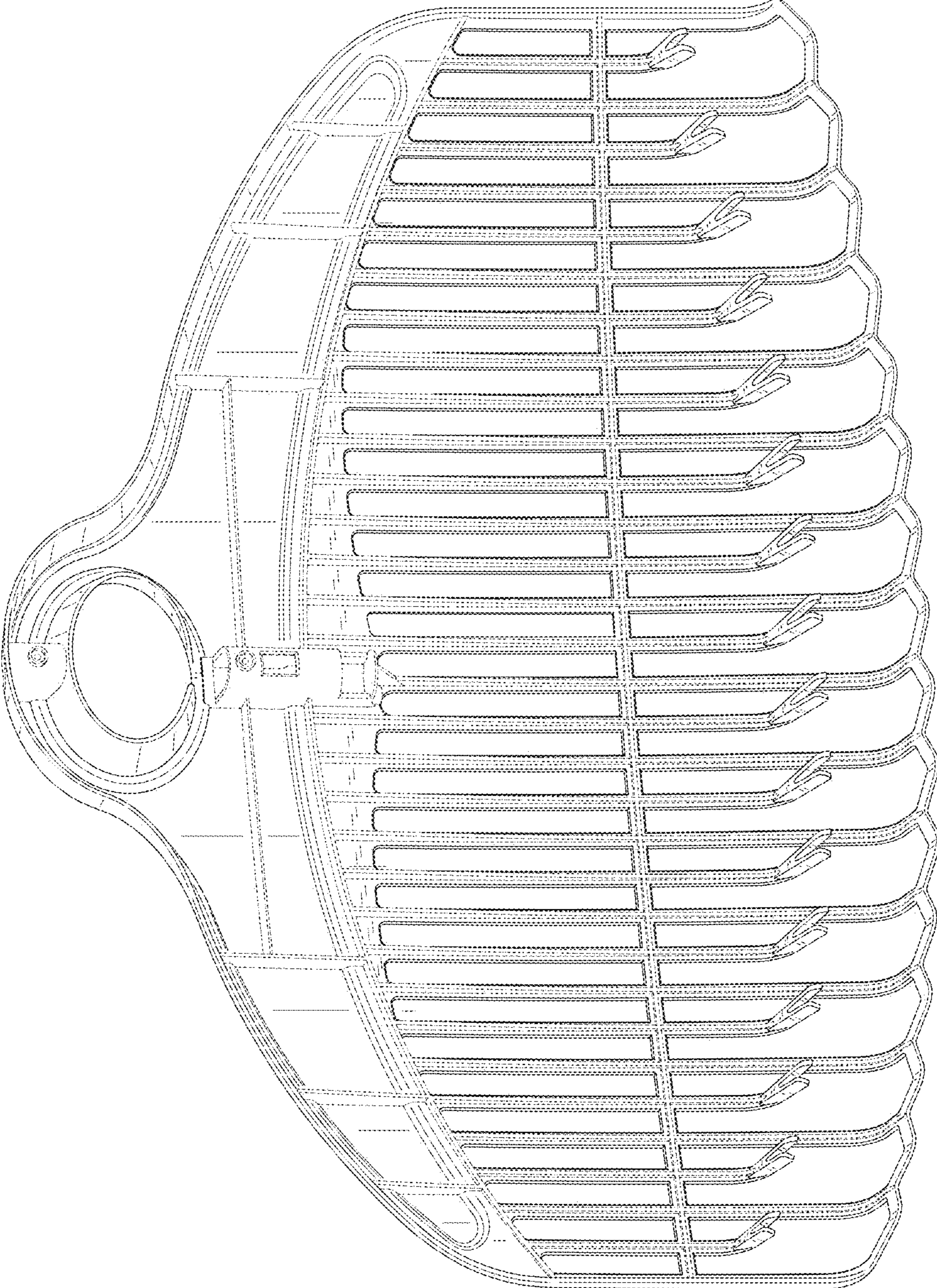


FIG. 2

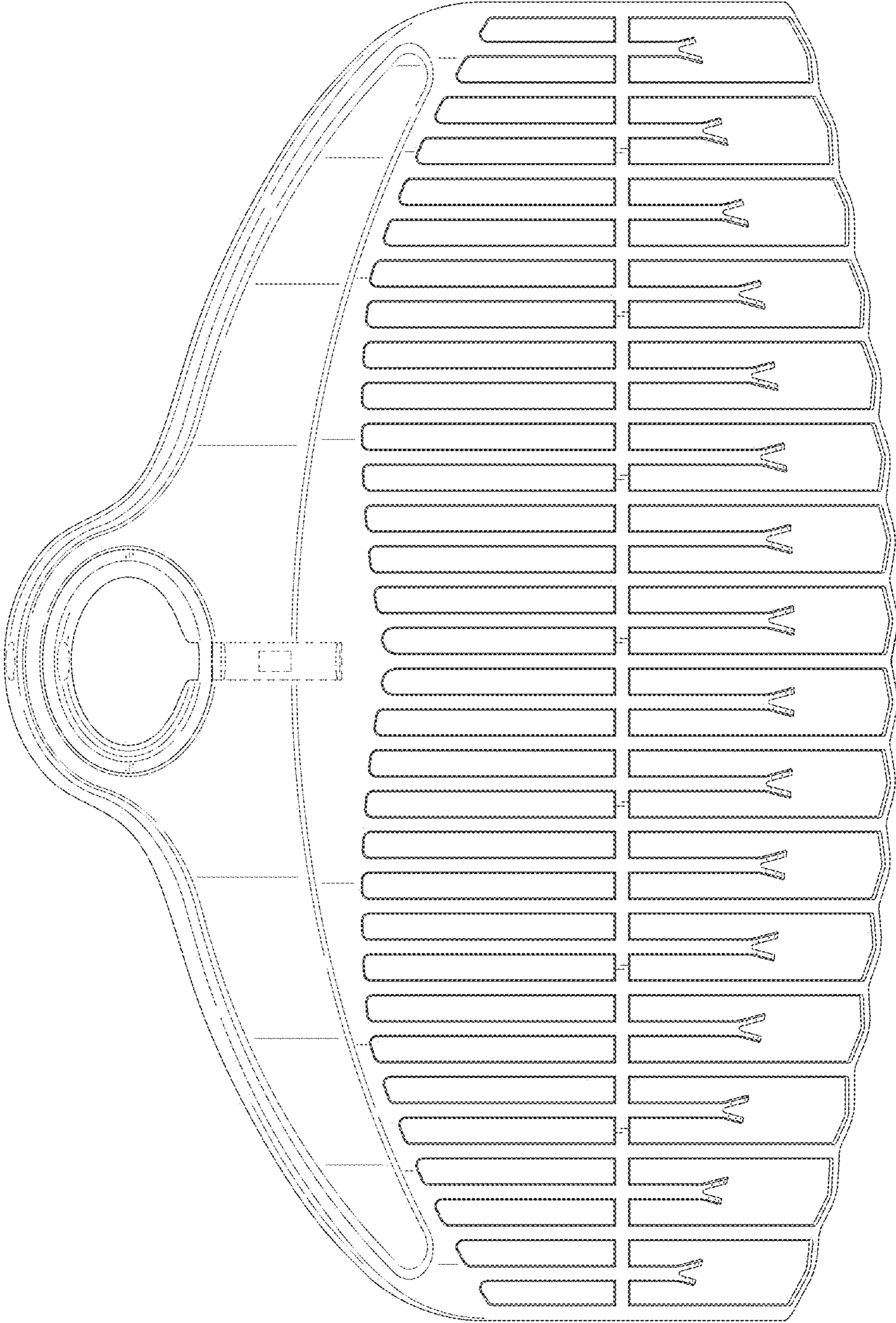


FIG. 3

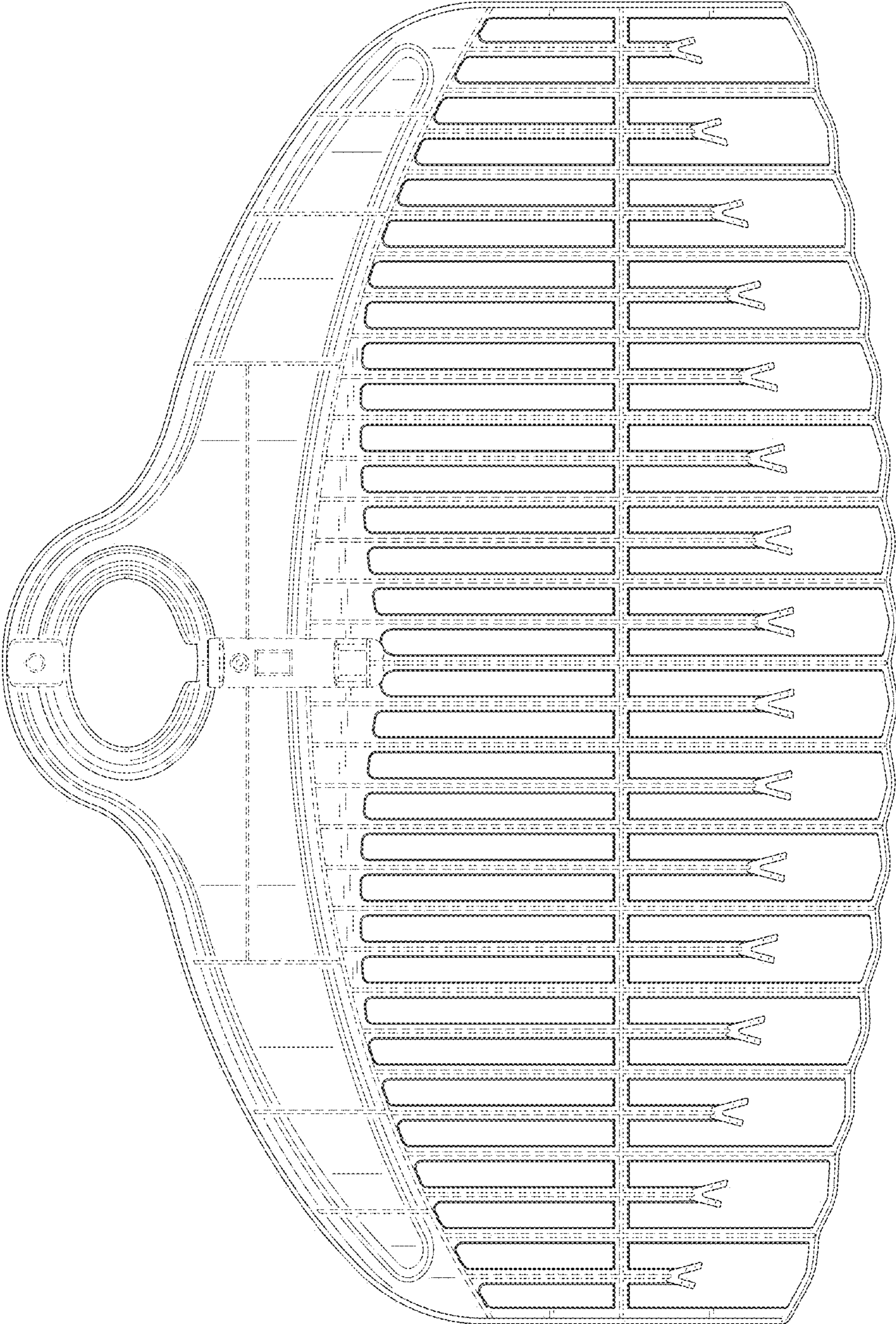


FIG. 4

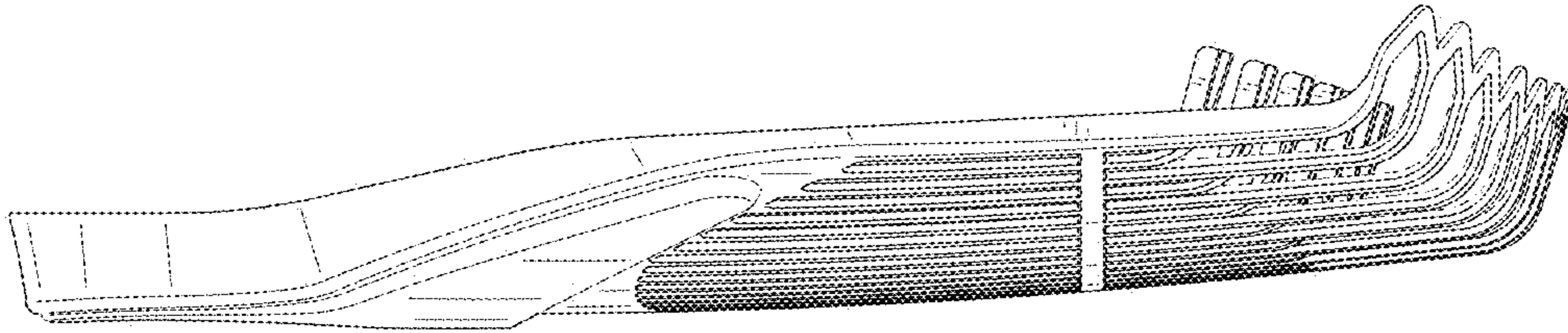


FIG. 6

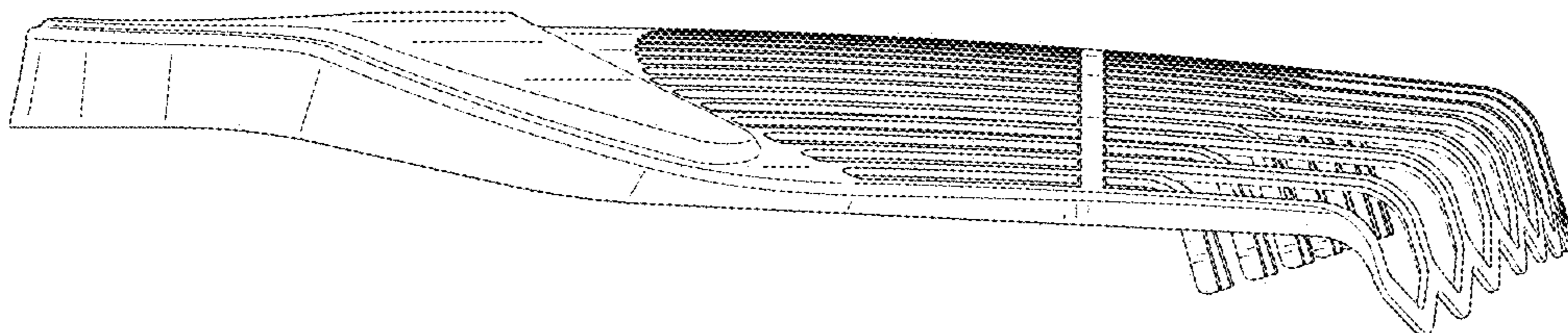


FIG. 5

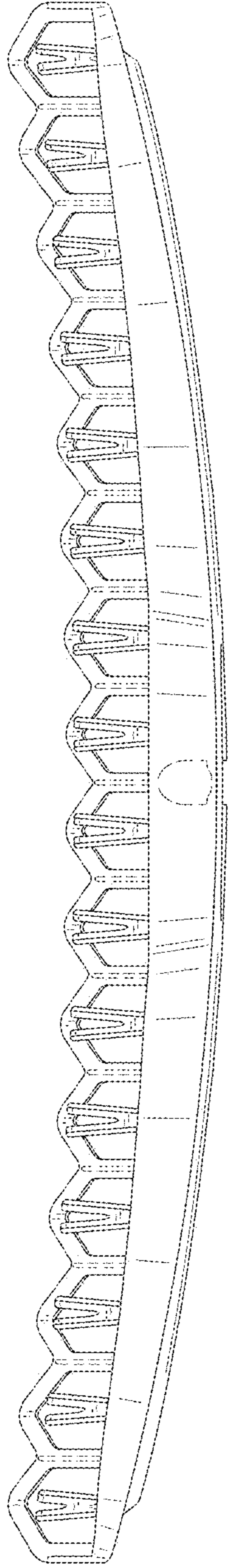


FIG. 7

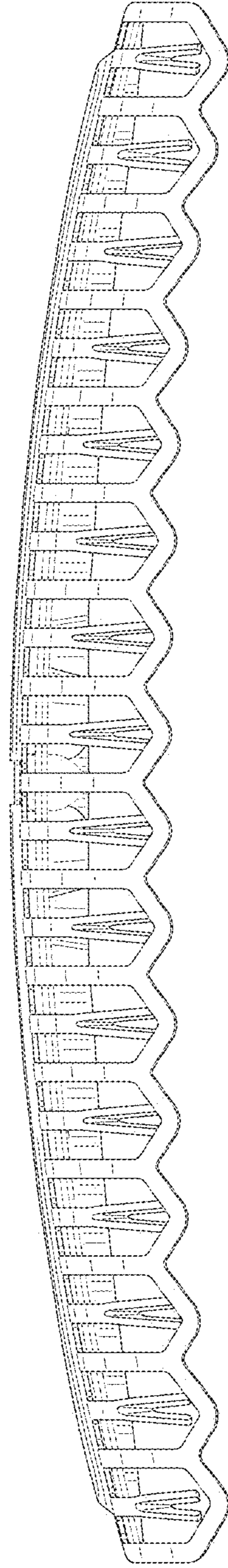


FIG. 8

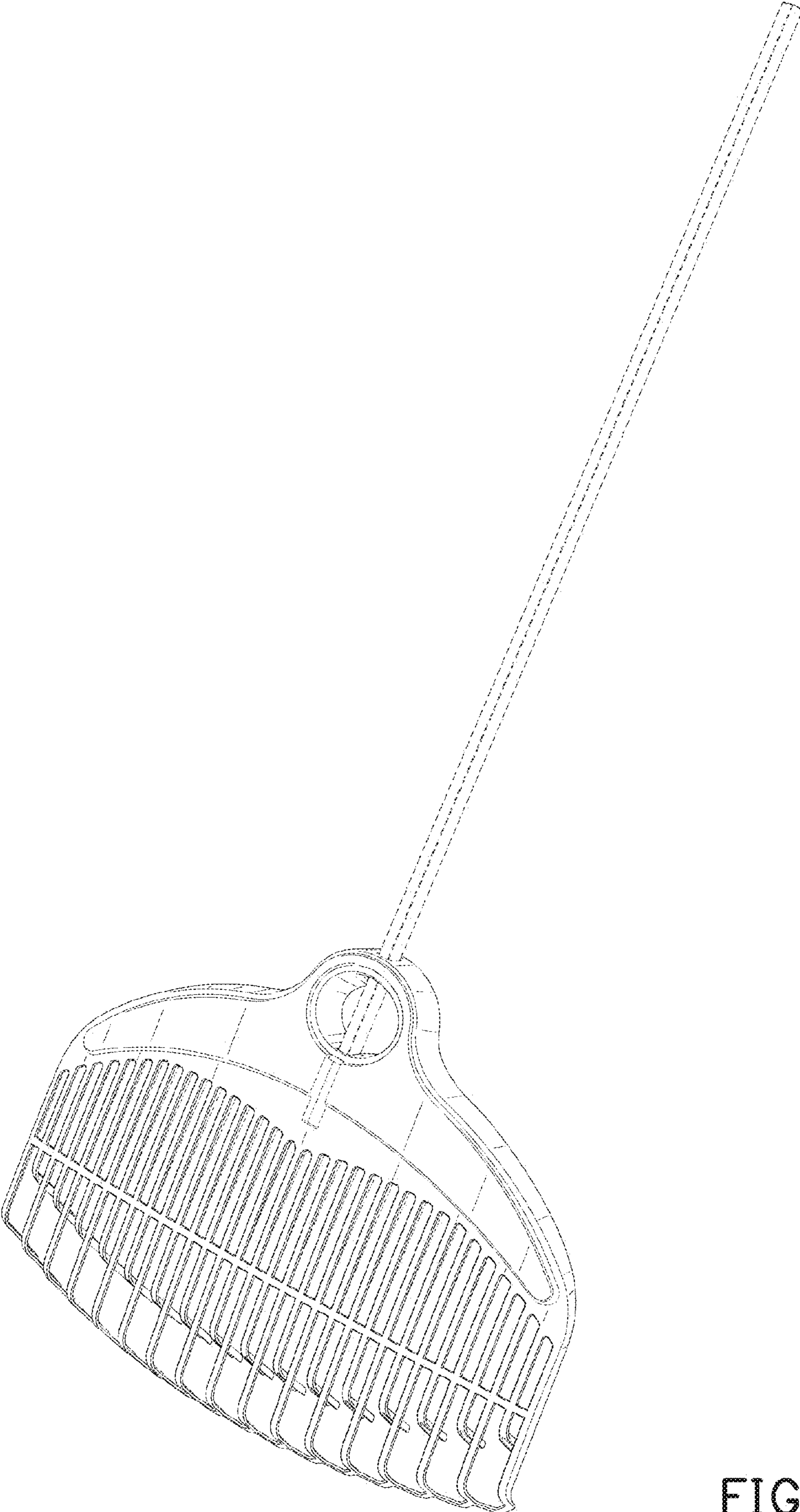


FIG. 9