



US00D943370S

(12) **United States Design Patent**
Sargent, III

(10) **Patent No.:** **US D943,370 S**

(45) **Date of Patent:** **** Feb. 15, 2022**

- (54) **HAND HELD FOOD CHOPPER**
- (71) Applicant: **Jim Sargent, III**, Florence, AL (US)
- (72) Inventor: **Jim Sargent, III**, Florence, AL (US)
- (73) Assignee: **Jim Wallace Sargent, III**, Florence, AL (US)
- (**) Term: **15 Years**
- (21) Appl. No.: **29/729,541**
- (22) Filed: **Mar. 27, 2020**
- (51) **LOC (13) Cl.** **07-04**
- (52) **U.S. Cl.**
USPC **D7/693**
- (58) **Field of Classification Search**
USPC D7/368, 669, 680-696
CPC B26B 25/005; B26B 3/00; A21C 11/106;
A47J 43/08; A47J 43/00; A47G 21/045
See application file for complete search history.

- D392,078 S * 3/1998 Courts D32/46
- D457,790 S * 5/2002 Wang D7/696
- D624,793 S * 10/2010 Coursey D7/696
- 7,823,292 B1 * 11/2010 Castiglione B26B 25/005
30/299
- D736,576 S * 8/2015 Parr D7/693
- 2004/0231475 A1 * 11/2004 Cornfield B26B 25/005
83/13

* cited by examiner

Primary Examiner — Terry A Wallace

(57) **CLAIM**

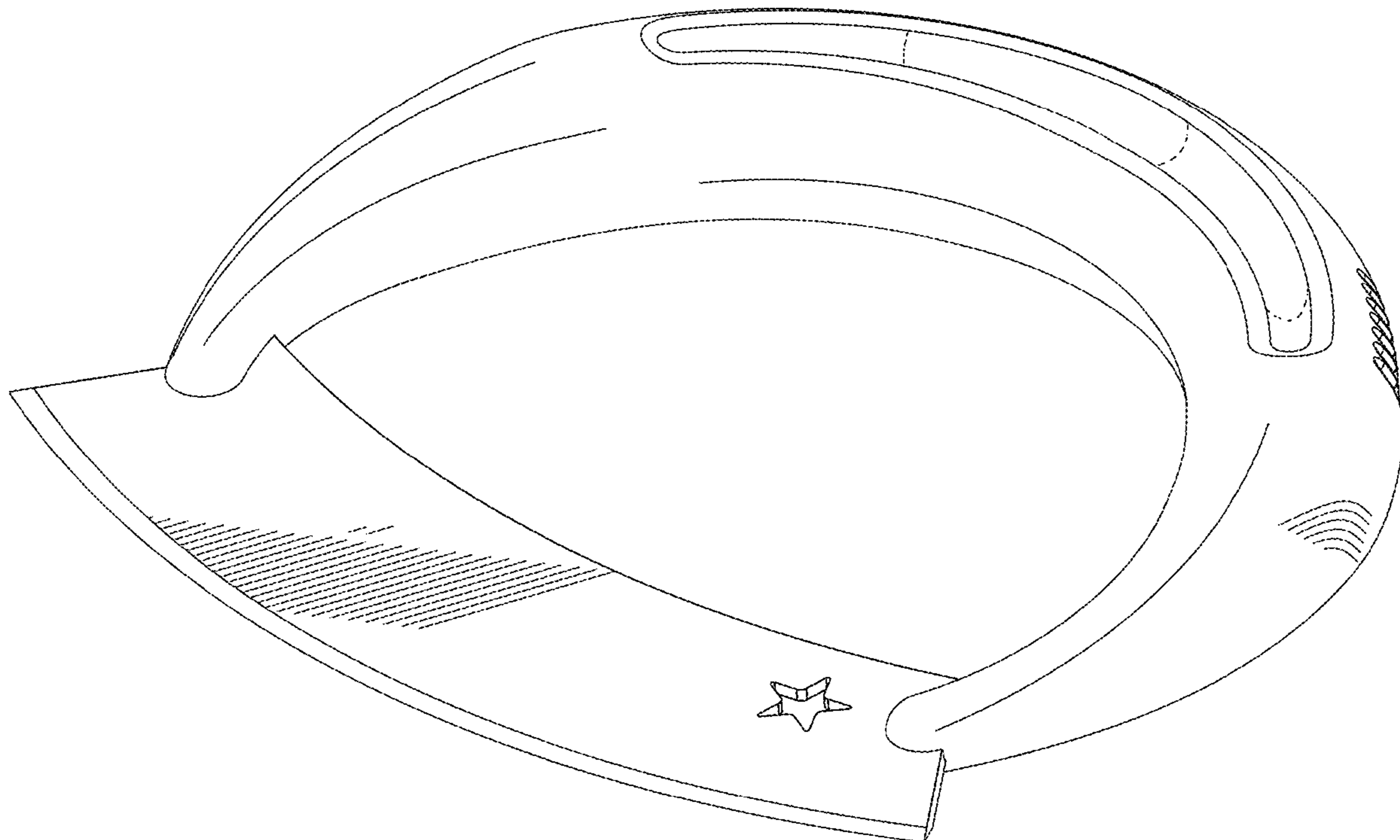
I claim the ornamental design for a hand held food chopper, as shown and described.

DESCRIPTION

FIG. 1 is a perspective view of the hand held food chopper, showing my new design;
 FIG. 2 is a front elevational view thereof;
 FIG. 3 is a rear elevational view thereof;
 FIG. 4 is a left side elevational view thereof;
 FIG. 5 is a right side elevational view thereof;
 FIG. 6 is a top plan view thereof; and,
 FIG. 7 is a bottom plan view thereof.
 The broken lines form no part of the claimed design.

1 Claim, 4 Drawing Sheets

- (56) **References Cited**
U.S. PATENT DOCUMENTS
D151,026 S * 9/1948 Besozi D7/693
D330,665 S * 11/1992 Neuendorf D7/693



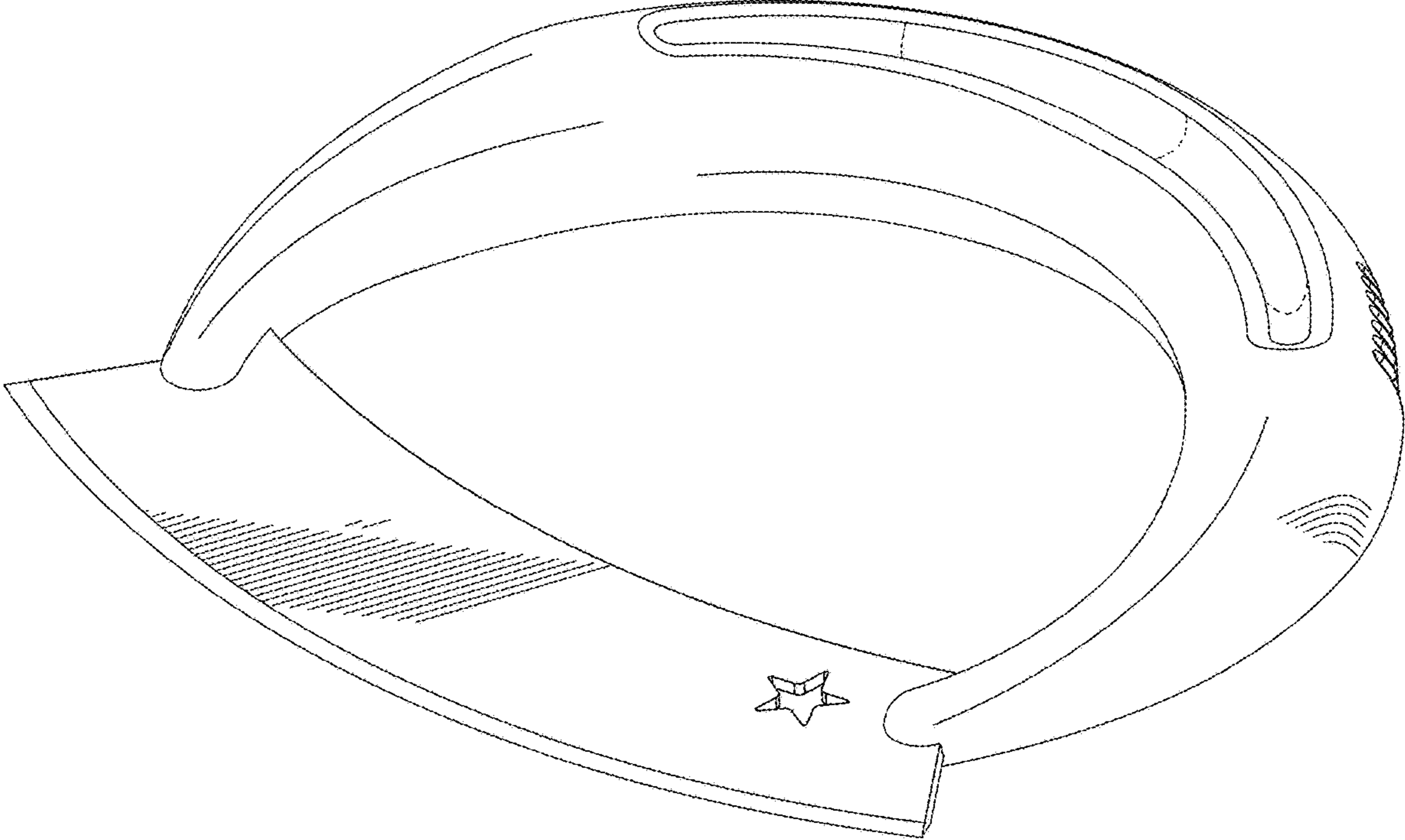


FIG.1

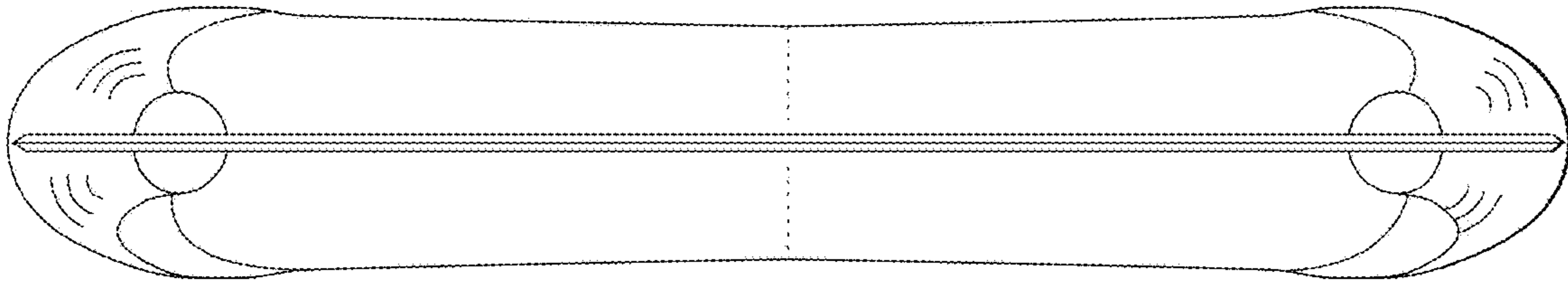


FIG. 2

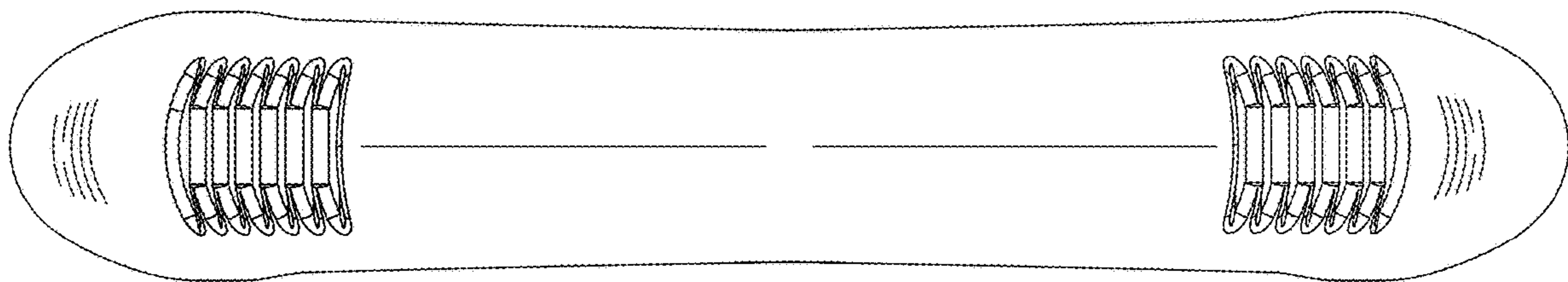


FIG. 3

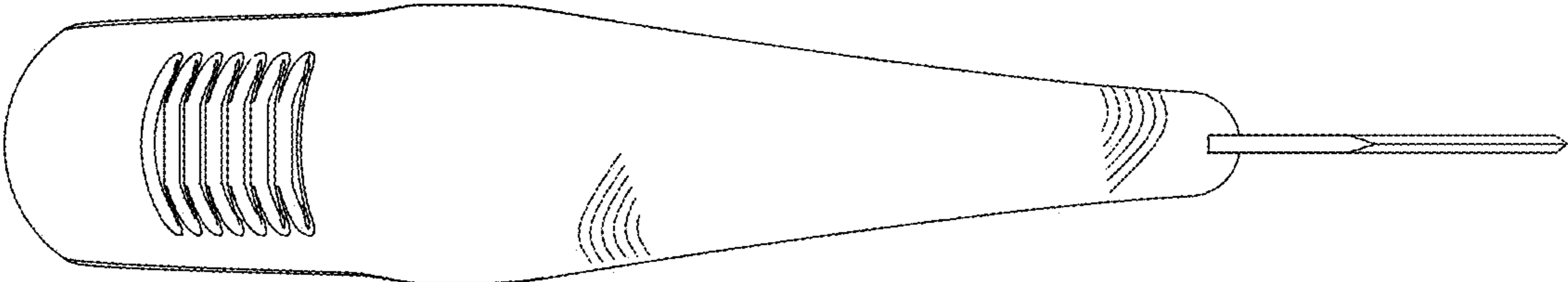


FIG.4

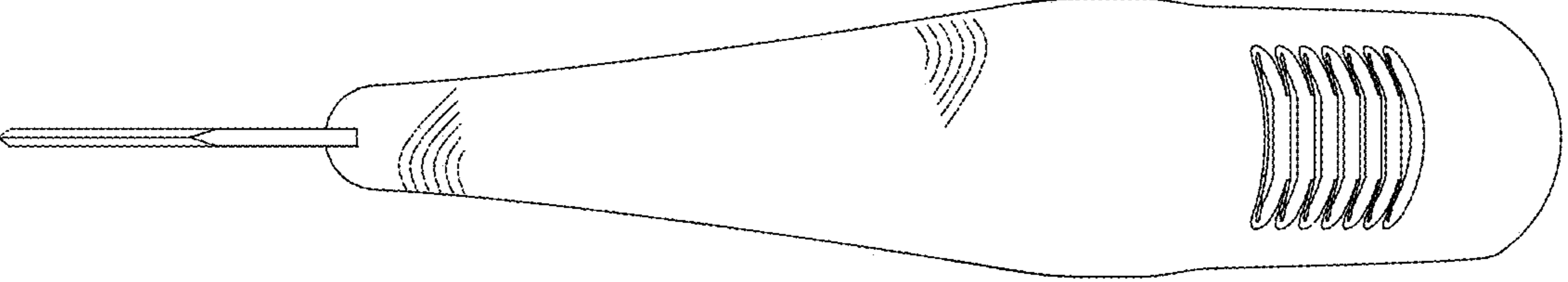


FIG.5

FIG.6

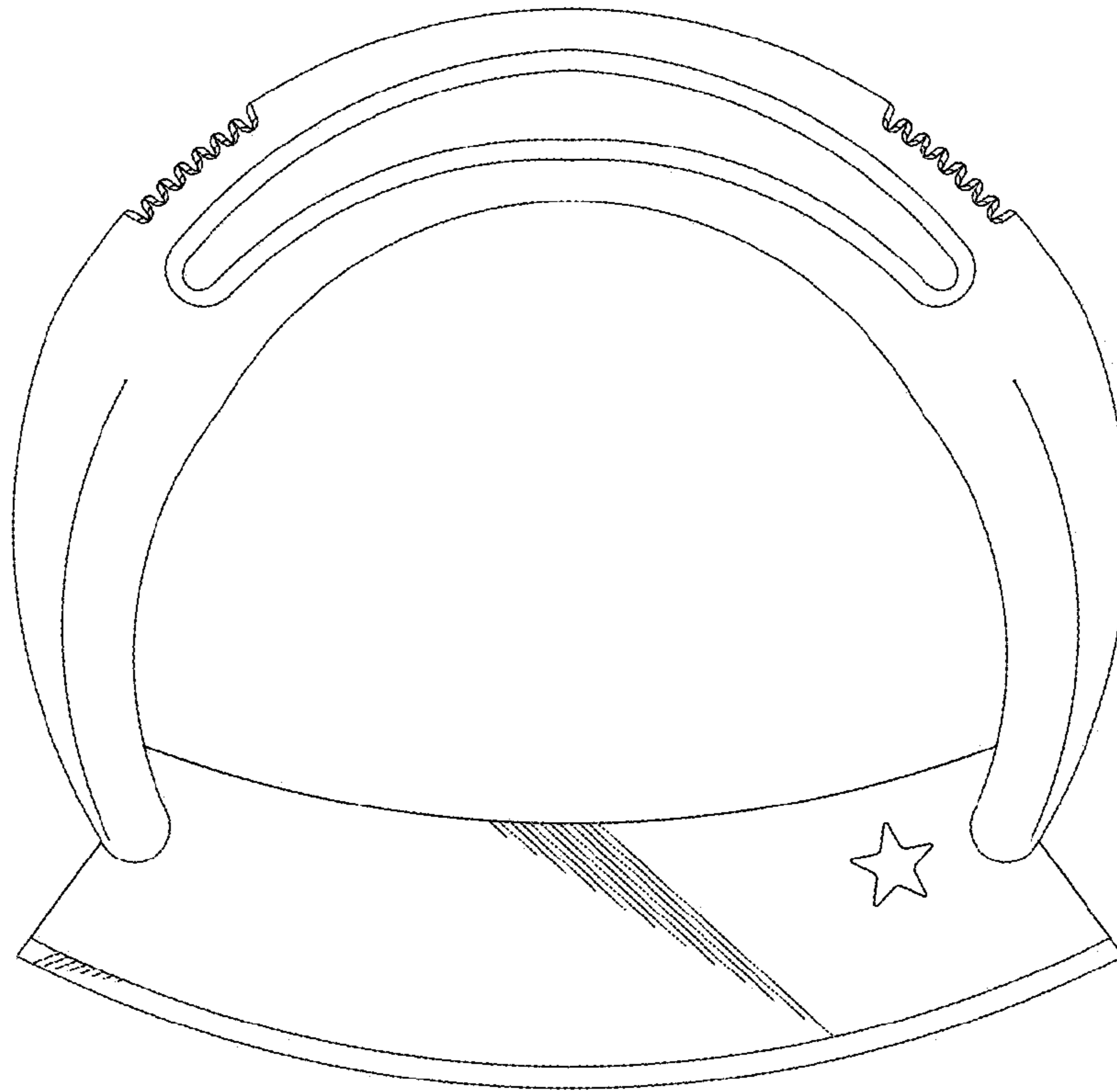


FIG.7

