



US00D943364S

(12) **United States Design Patent**
Nastovski

(10) **Patent No.:** **US D943,364 S**

(45) **Date of Patent:** **** Feb. 15, 2022**

(54) **ADJUSTABLE TONGS**

(71) Applicant: **Vaso Nastovski**, Sterling Heights, MI
(US)

(72) Inventor: **Vaso Nastovski**, Sterling Heights, MI
(US)

(**) Term: **15 Years**

(21) Appl. No.: **29/808,465**

(22) Filed: **Sep. 20, 2021**

Related U.S. Application Data

(63) Continuation of application No. 29/755,198, filed on
Oct. 19, 2020, now Pat. No. Des. 933,436.

(51) **LOC (13) Cl.** **07-04**

(52) **U.S. Cl.**
USPC **D7/686**

(58) **Field of Classification Search**
USPC D7/368, 669, 680-696, 642, 643, 644;
D8/51, 52, 54, 71, 72

CPC A47J 43/283; A47J 43/28; A47J 43/288;
A47G 21/10; A47G 21/106; A47G
21/103; A47G 21/00; B25B 7/00; B25B
9/00; B25B 9/02; B25B 9/04

See application file for complete search history.

(56) **References Cited**

U.S. PATENT DOCUMENTS

3,489,151 A * 1/1970 Eller A61B 17/22031
606/106
3,521,923 A * 7/1970 Noel A47J 45/10
294/33

D298,297 S * 11/1988 Maltby D7/687
D428,779 S * 8/2000 Walker D7/687
8,672,377 B2 * 3/2014 Ina A47G 21/10
294/99.2
2004/0051327 A1 * 3/2004 Yoon A47G 21/103
294/99.2

* cited by examiner

Primary Examiner — Terry A Wallace

(74) *Attorney, Agent, or Firm* — The Dobrusin Law Firm,
P.C.

(57) **CLAIM**

The ornamental design for adjustable tongs, as shown and
described.

DESCRIPTION

FIG. 1 is a top isometric view showing my design of
adjustable tongs.

FIG. 2 is a bottom isometric view of FIG. 1.

FIG. 3 is a top plan view of FIG. 1

FIG. 4 is a back elevational view of FIG. 1

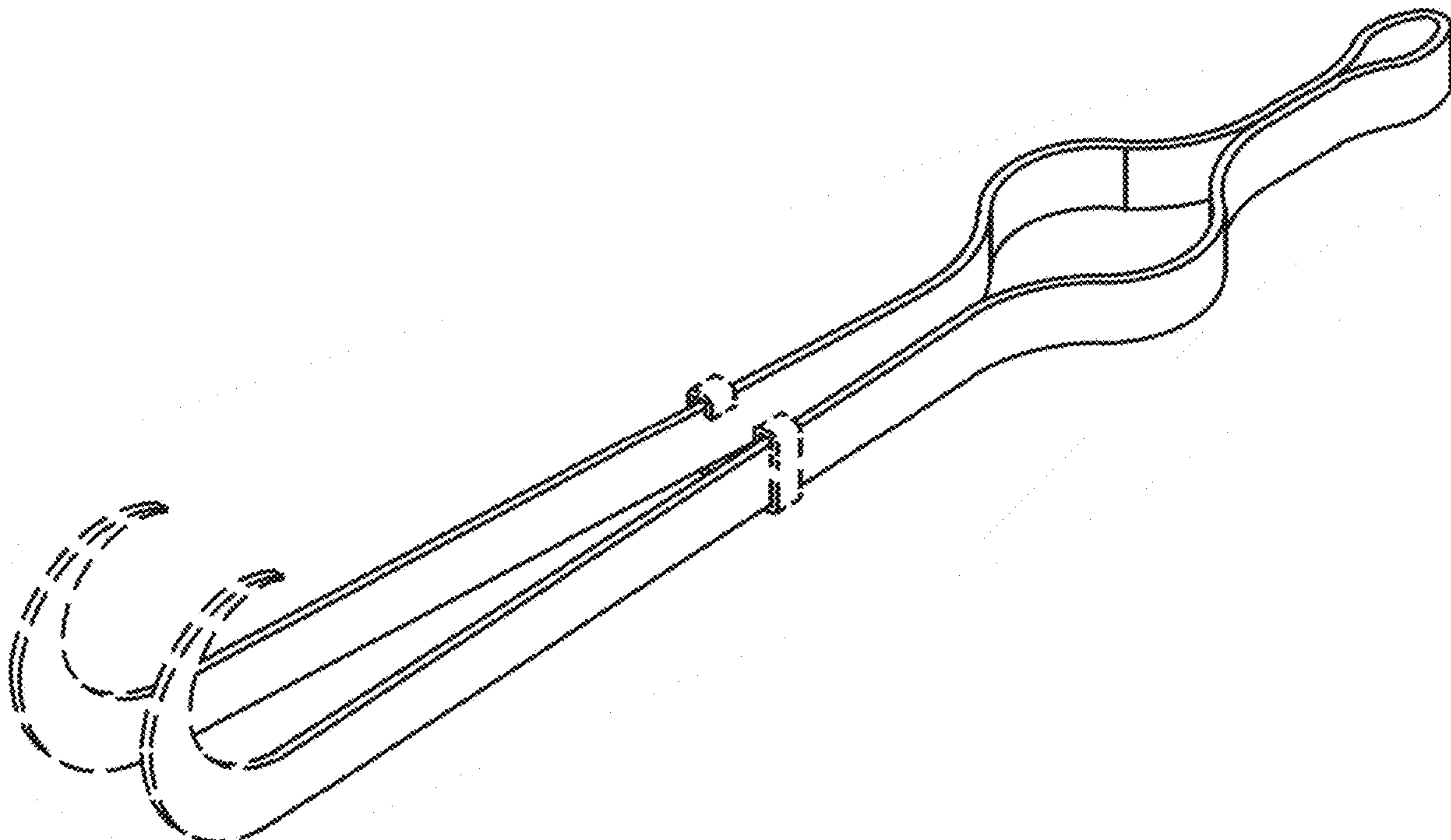
FIG. 5 is a front elevational of FIG. 1

FIG. 6 is a left elevational view of FIG. 1; and,

FIG. 7 is a right elevational view of FIG. 1.

The broken lines are for illustrative purposes only and form
no part of the claimed design.

1 Claim, 5 Drawing Sheets



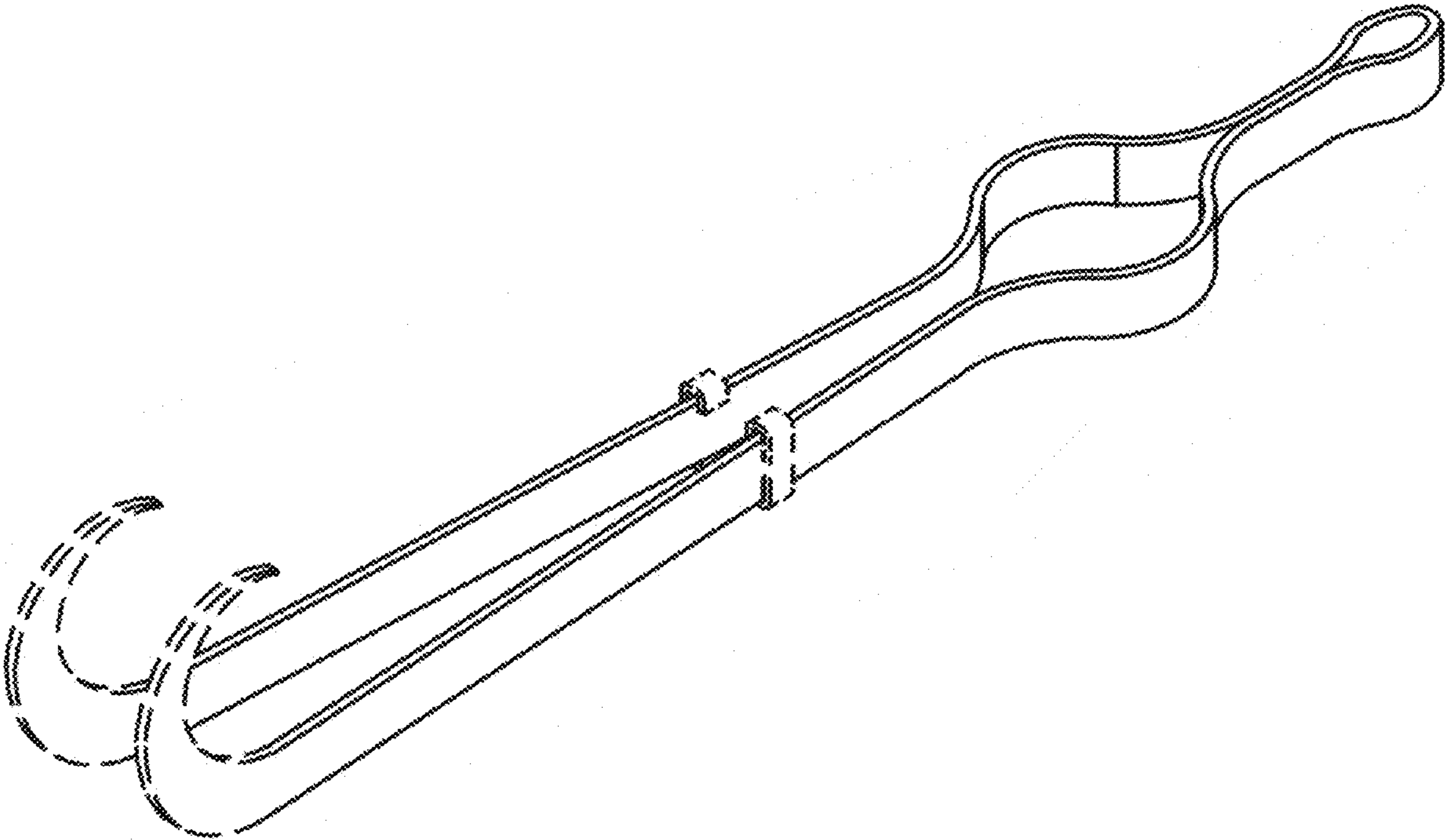


Fig. 1

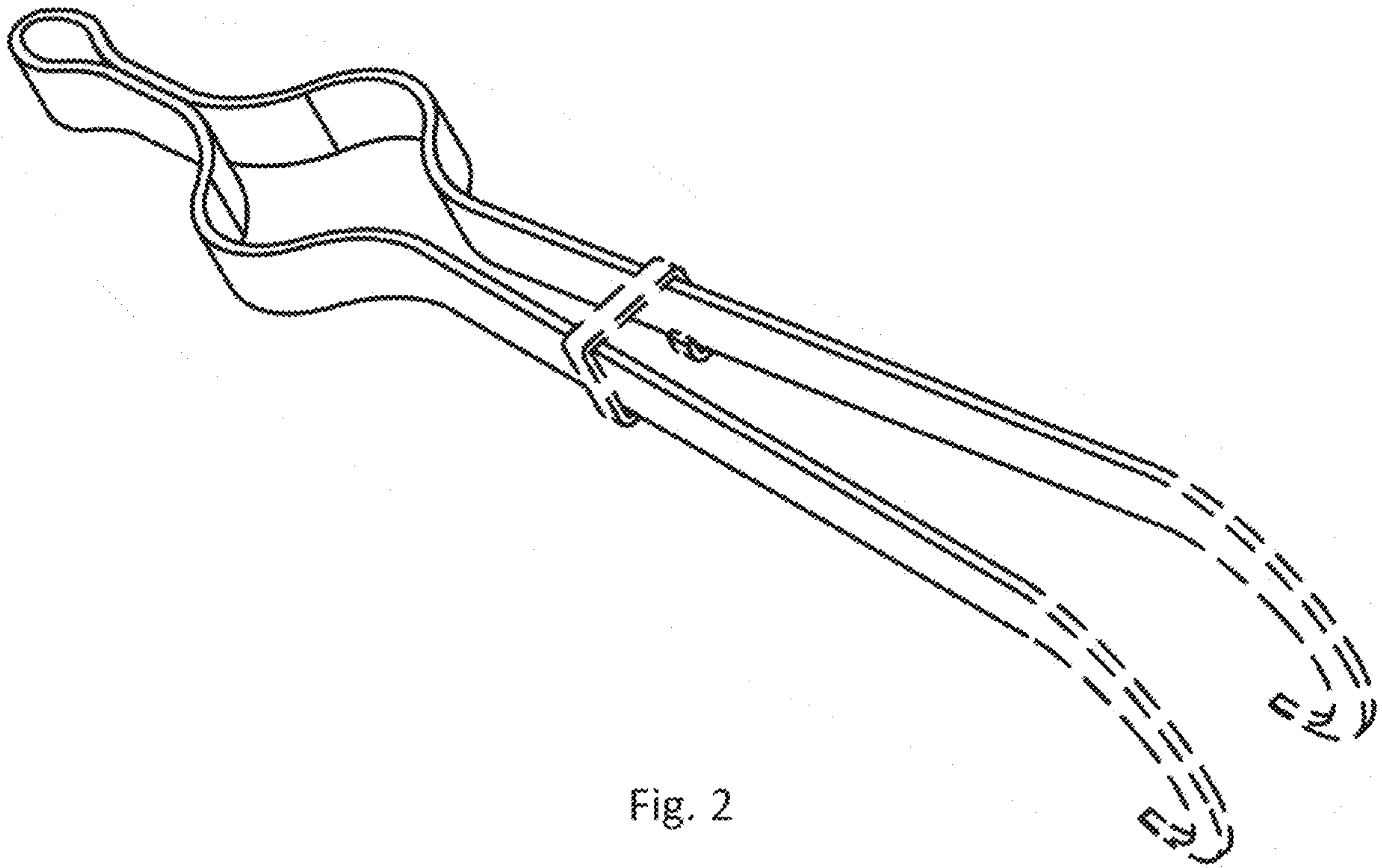


Fig. 2

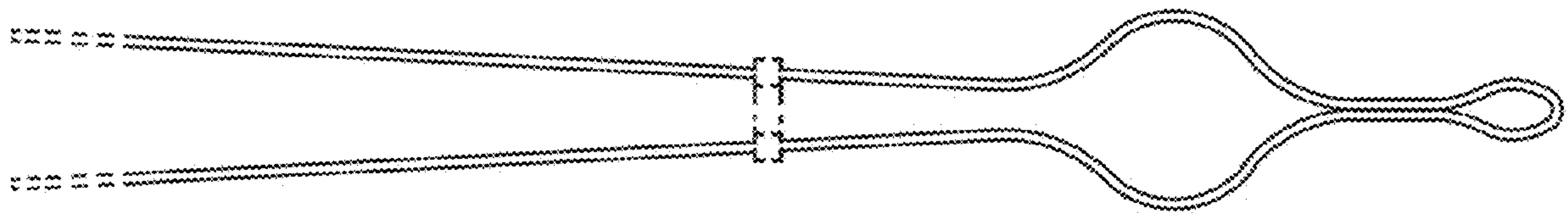


Fig. 3

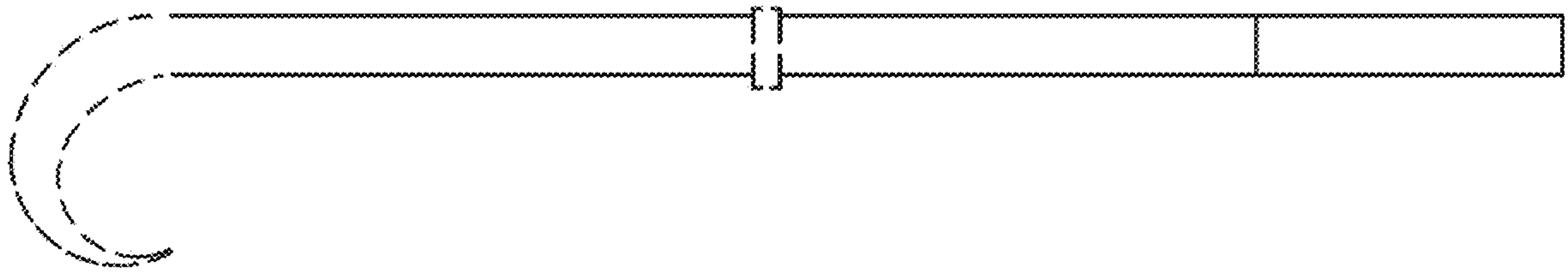


Fig. 4

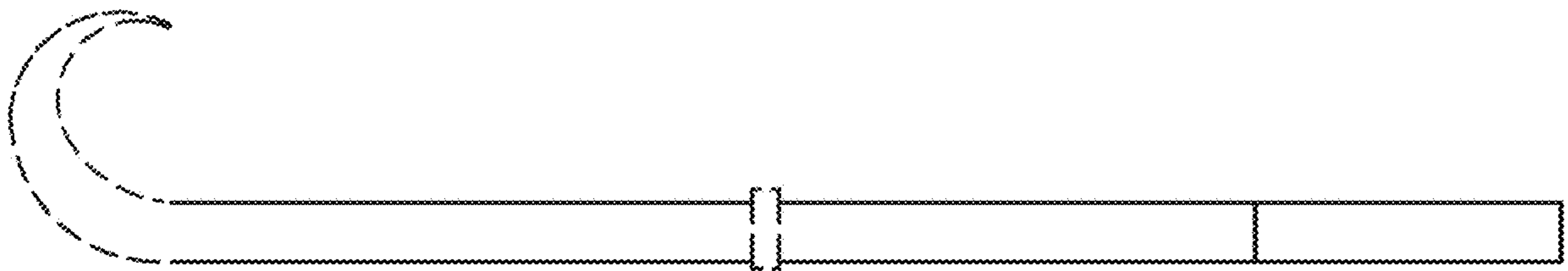


Fig. 5

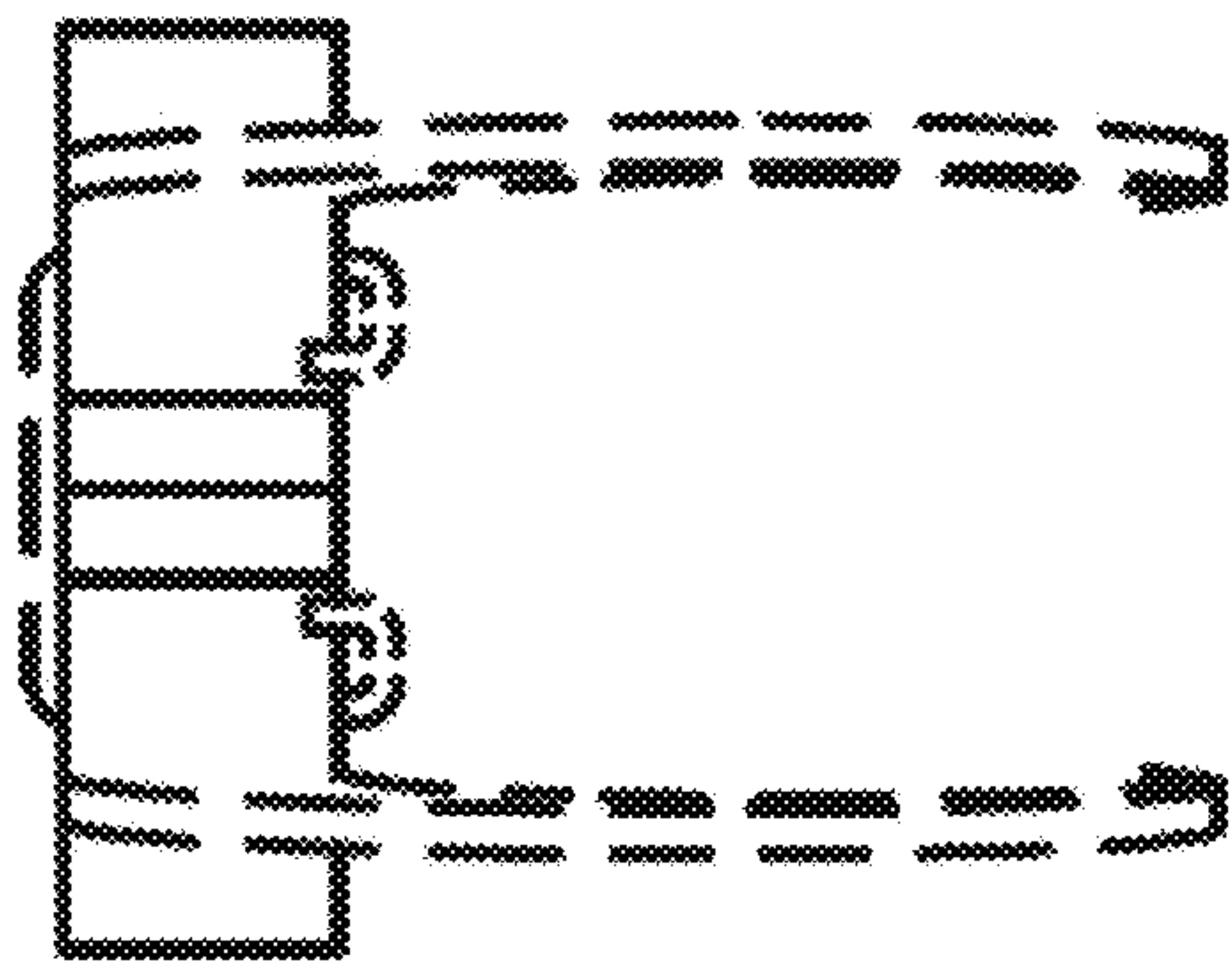


Fig. 6

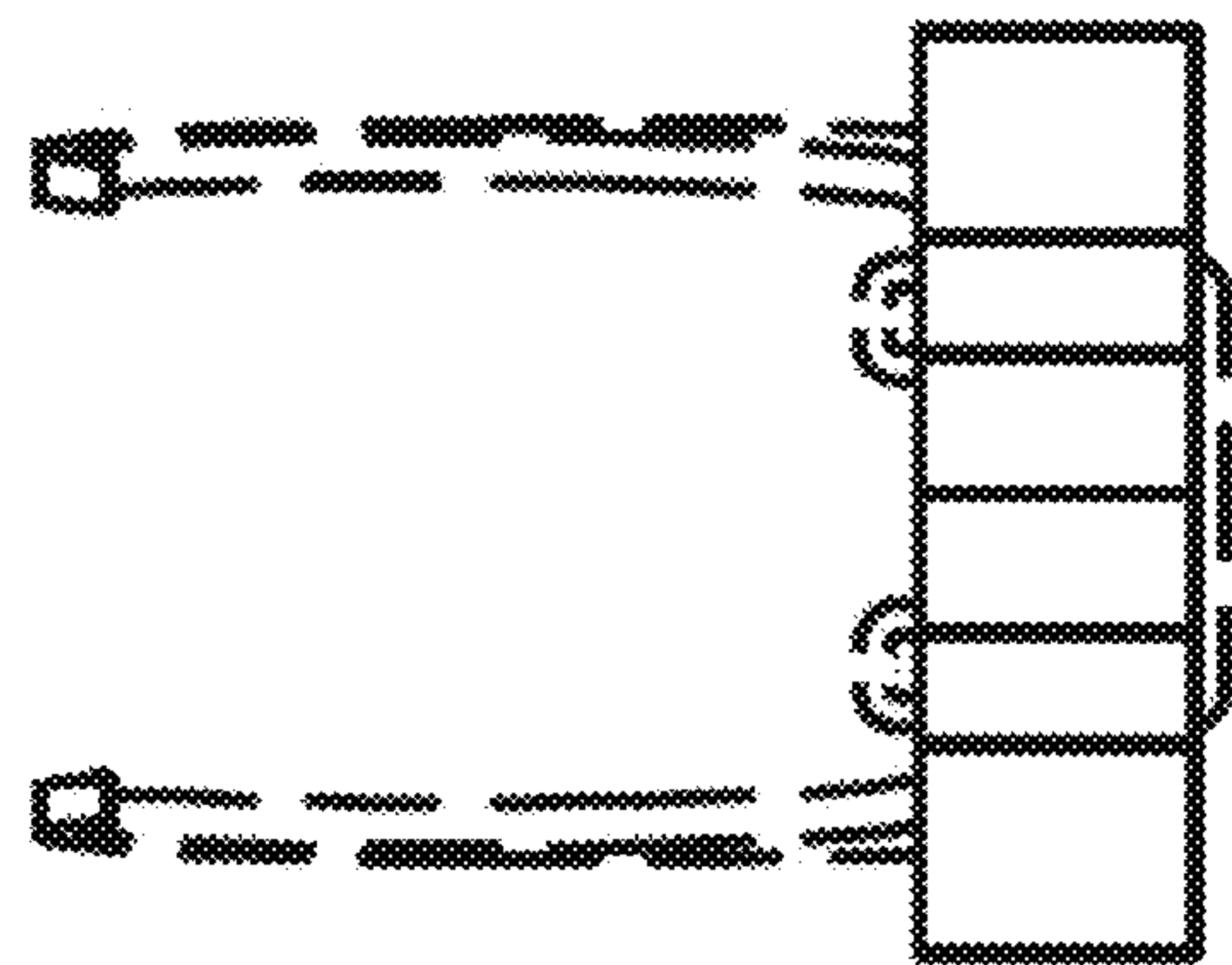


Fig. 7