



US00D943362S

(12) **United States Design Patent** (10) **Patent No.:** **US D943,362 S**
Pawluskiewicz (45) **Date of Patent:** **** Feb. 15, 2022**

(54) **KITCHEN TOOL**

(71) Applicant: **Spectrum Diversified Designs, LLC**,
Streetsboro, OH (US)

(72) Inventor: **Jan Pawluskiewicz**, Seattle, WA (US)

(73) Assignee: **SPECTRUM DIVERSIFIED
DESIGNS, LLC**, Streetsboro, OH (US)

(**) Term: **15 Years**

(21) Appl. No.: **29/722,457**

(22) Filed: **Jan. 30, 2020**

(51) **LOC (13) Cl.** **07-04**

(52) **U.S. Cl.**
USPC **D7/669**; D7/693

(58) **Field of Classification Search**
USPC D7/667, 669, 678, 670, 679, 683, 693
CPC A47J 37/0694; A47J 43/18; A22C 17/006
See application file for complete search history.

(56) **References Cited**

U.S. PATENT DOCUMENTS

D188,529 S *	8/1960	Szamosi	D6/600
D482,736 S *	11/2003	Manville	D21/484
D503,316 S *	3/2005	Webb	D32/46
D600,512 S *	9/2009	Weber	D32/46
D604,359 S *	11/2009	Santos	D19/9
D618,075 S *	6/2010	Huang	D8/20
D736,576 S *	8/2015	Parr	D7/693
D774,353 S *	12/2016	Dodd	D7/401.2
D776,991 S *	1/2017	Ryun	D7/693
D828,123 S *	9/2018	Stewart	D7/693

D921,453 S *	6/2021	Teng	D7/693
2003/0230905 A1 *	12/2003	Daniele	A47F 13/08 294/212
2016/0129600 A1 *	5/2016	Ryun	B26B 11/00 30/123

OTHER PUBLICATIONS

Chef'n Looseleaf Kale, Chard, Collard Greens and Herb Stripper
Amazon.com [online], 1 page. [Retrieved on Jan. 23, 2020]. Retrieved
from the Internet: https://www.amazon.com/Chefn-LooseLeaf-Collard-Greens-Stripper/dp/B00QWNRGS8/ref=sr_1_1?keywords=kale+tool&qid=1578592189&sr=8-1.

* cited by examiner

Primary Examiner — S. Bryan Reinholdt, Jr.

(74) *Attorney, Agent, or Firm* — Tucker Ellis LLP

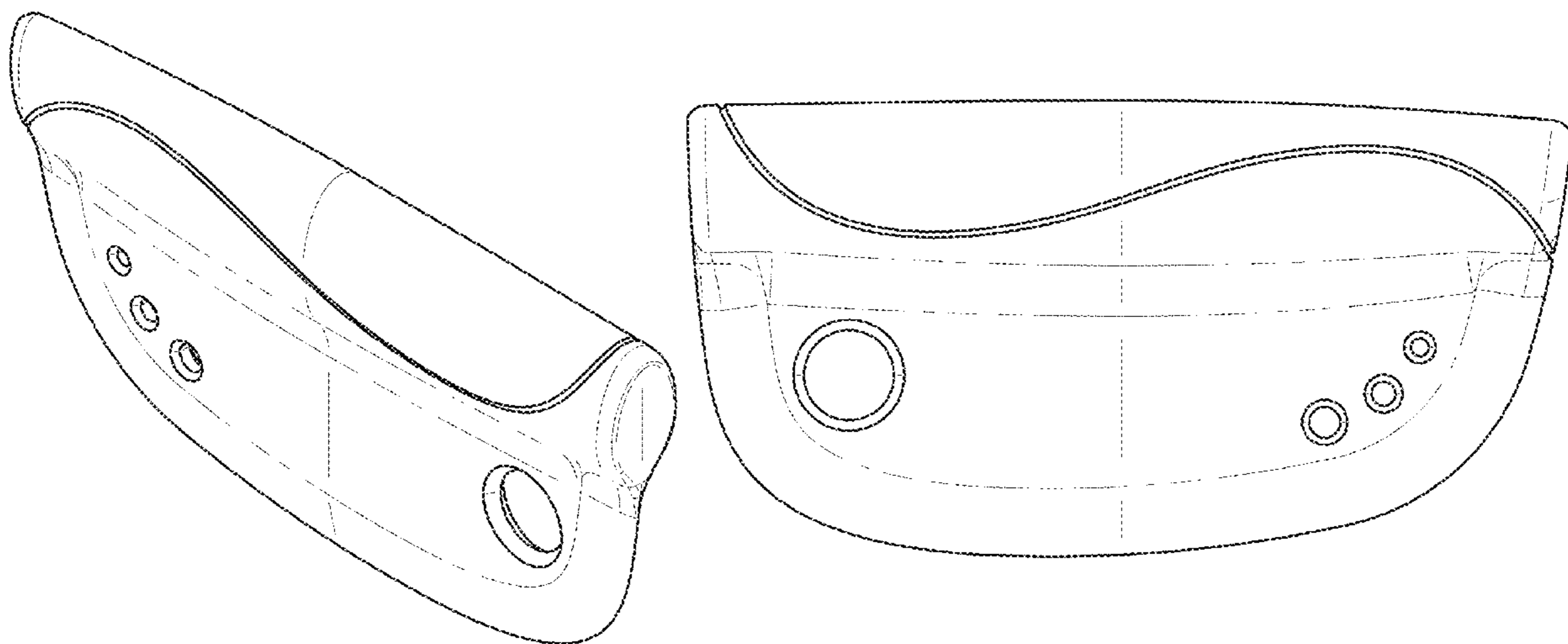
(57) **CLAIM**

The ornamental design for a kitchen tool, as shown and described.

DESCRIPTION

FIG. 1 is a perspective view of a kitchen tool showing my new design.
FIG. 2 is a front view thereof.
FIG. 3 is a rear view thereof.
FIG. 4 is a left side view thereof.
FIG. 5 is a right side view thereof.
FIG. 6 is a top view thereof; and,
FIG. 7 is a bottom view thereof.

1 Claim, 4 Drawing Sheets



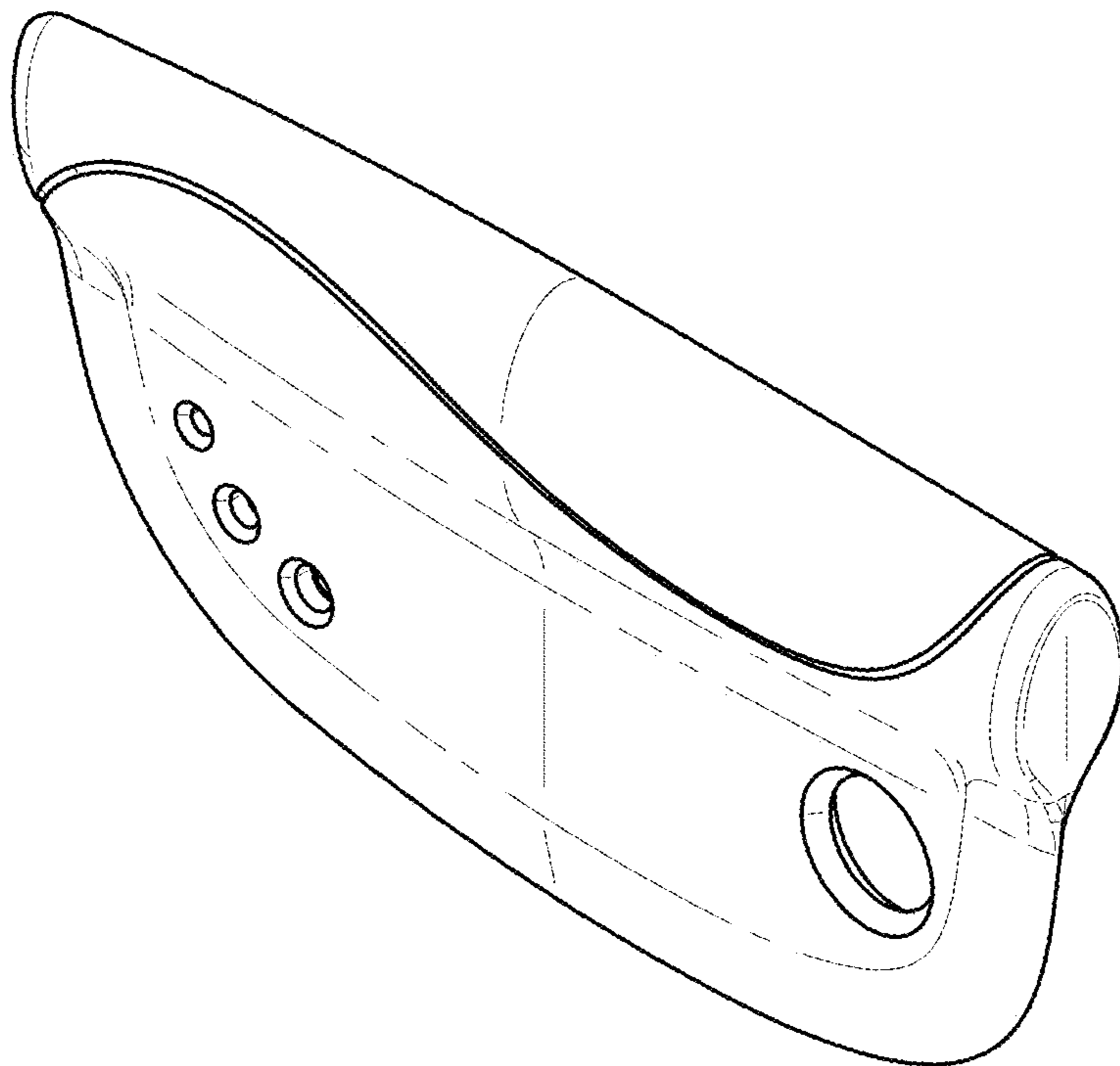


FIG. 1

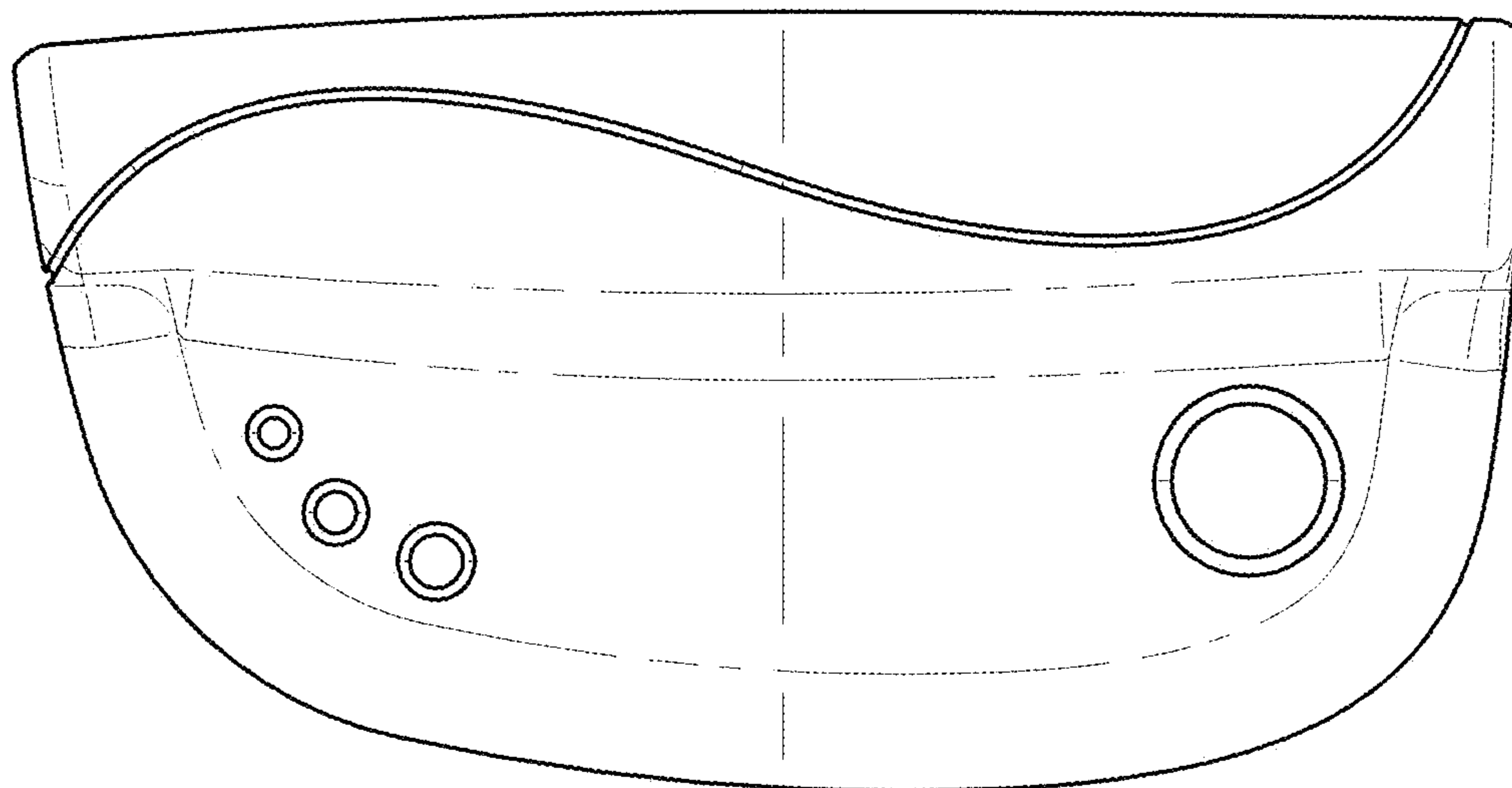


FIG. 2

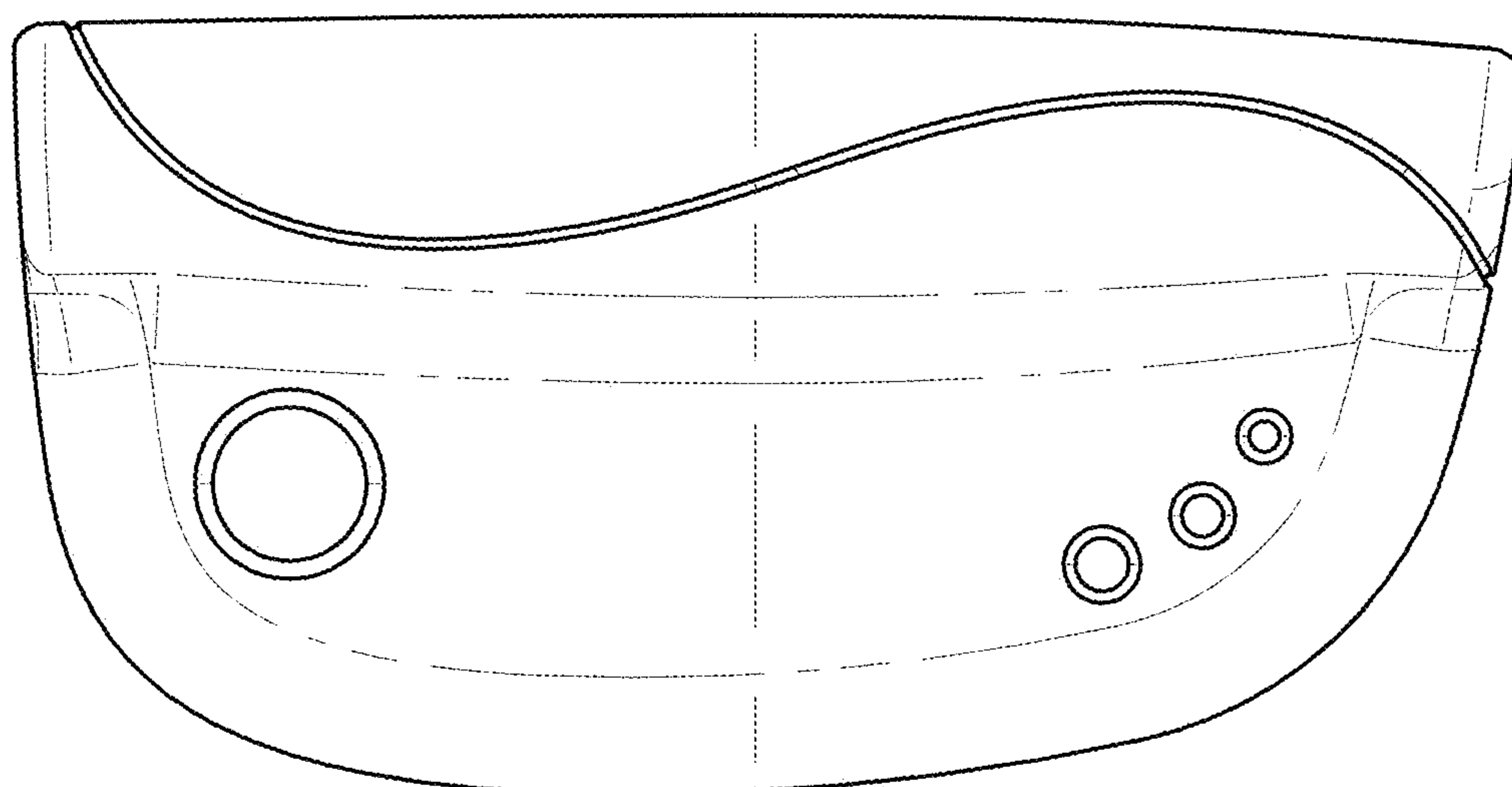


FIG. 3

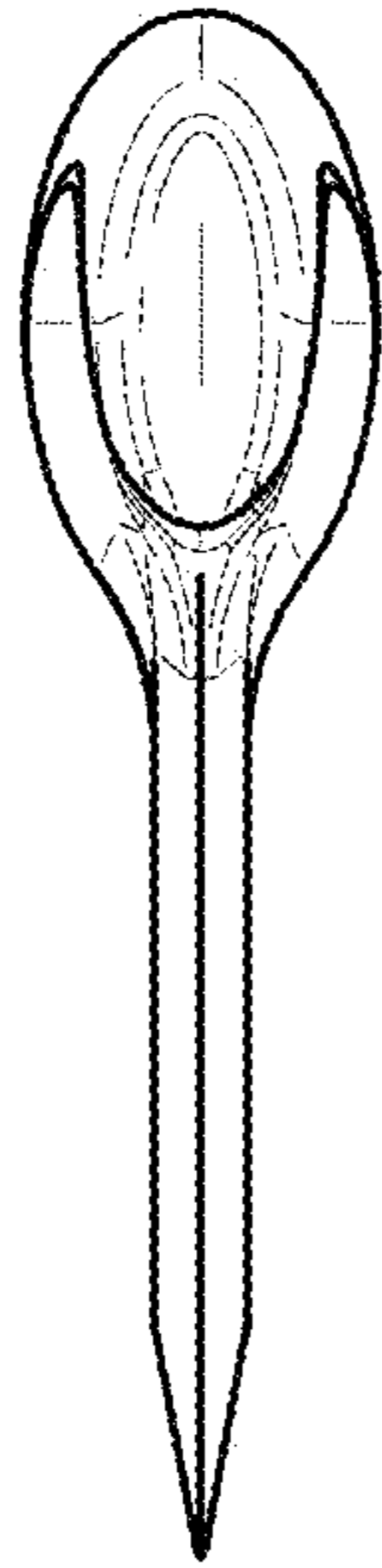


FIG. 4

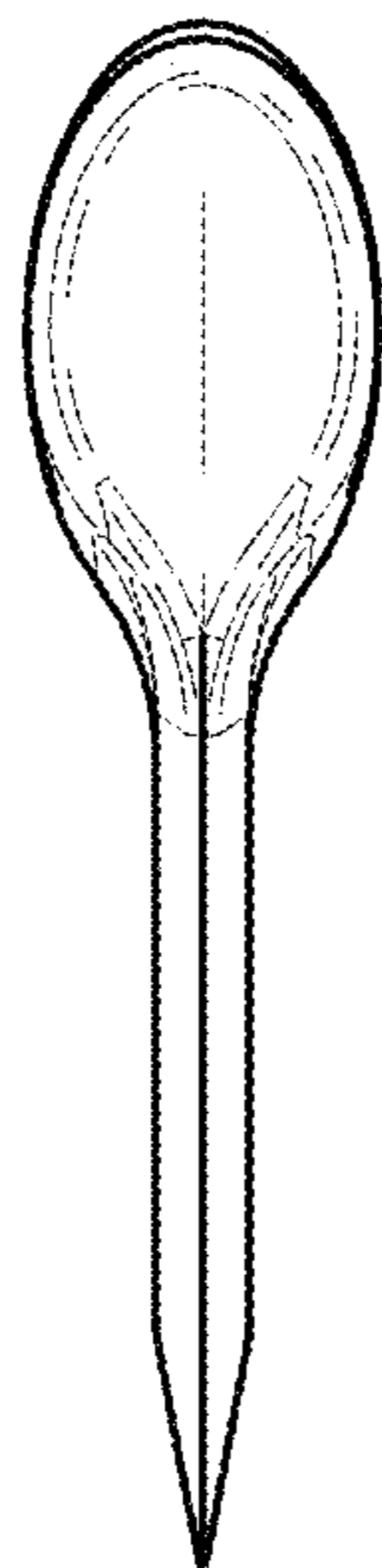


FIG. 5

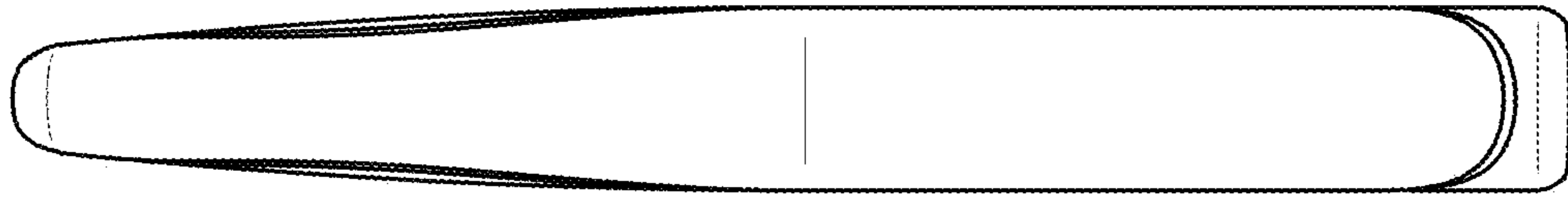


FIG. 6

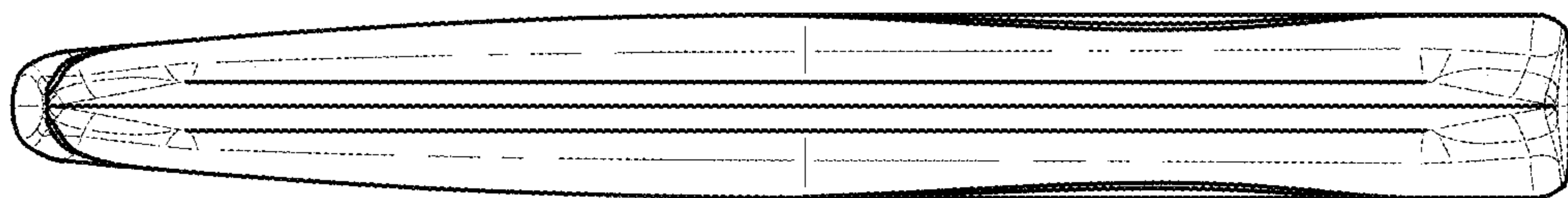


FIG. 7