



US00D943360S

(12) **United States Design Patent** (10) **Patent No.:** **US D943,360 S**  
**Brunner** (45) **Date of Patent:** **\*\* Feb. 15, 2022**

(54) **KNIFE**  
(71) Applicant: **Instant Brands Holdings Inc.**,  
Downers Grove, IL (US)  
(72) Inventor: **Tyler J. Brunner**, Durand, WI (US)  
(73) Assignee: **Instant Brands Holdings Inc.**,  
Downers Grove, IL (US)

D267,622 S 1/1983 Russell  
5,692,308 A 12/1997 Di Libero  
D448,253 S 9/2001 Staib, Jr. et al.  
D527,957 S 9/2006 Ranieri  
D552,429 S \* 10/2007 Onion ..... D7/649  
D593,373 S \* 6/2009 Epstein ..... D7/649  
D594,292 S 6/2009 Eide et al.  
D611,312 S 3/2010 Eide et al.  
D611,313 S 3/2010 Eide et al.

(Continued)

(\*\*) Term: **15 Years**

**FOREIGN PATENT DOCUMENTS**

(21) Appl. No.: **29/763,128**

AU 2010202826 B2 4/2016  
AU 2016204580 A1 9/2016

(Continued)

(22) Filed: **Dec. 21, 2020**

(51) **LOC (13) Cl.** ..... **07-03**

(52) **U.S. Cl.**

USPC ..... **D7/649**; D7/401.2

(58) **Field of Classification Search**

USPC ..... D7/393-395, 401.2, 642-664, 693, 669,  
D7/675-677, 683, 688-689, 691-692;  
D8/93, 97-100, 107, 300, 321;  
D22/117-118

CPC ..... A01B 1/20; A01B 1/22; A22C 25/006;  
A47G 21/06; A47G 21/065; A61B  
17/3211; A61B 17/3213; B21D 53/64;  
B25G 3/36; B26B 1/00; B26B 1/08;  
B26B 1/10; B26B 3/00; B26B 3/02;  
B26B 3/03; B26B 3/04; B26B 3/06;  
B26B 5/00; B26B 5/001; B26B 5/007;  
B26B 7/00; B26B 7/005; B26B 9/00;  
B26B 9/02; B26B 11/00; B26B 11/006;  
B26B 17/00; B26B 17/006; B26B 29/02

See application file for complete search history.

(56) **References Cited**

**U.S. PATENT DOCUMENTS**

D27,254 S 6/1897 Barden et al.  
D28,186 S 1/1898 Barden  
1,822,828 A 9/1931 Stueckman  
D113,026 S 1/1939 Vassos

**OTHER PUBLICATIONS**

Hobby Hut Stainless Steel Hunting Knife. Date First Available on Amazon.com Oct. 18, 2018. <https://www.amazon.com/dp/B07QYJH9SQ/ref> (Year: 2018).\*

(Continued)

*Primary Examiner* — Ricky Pham

(74) *Attorney, Agent, or Firm* — Crowell & Moring LLP

(57) **CLAIM**

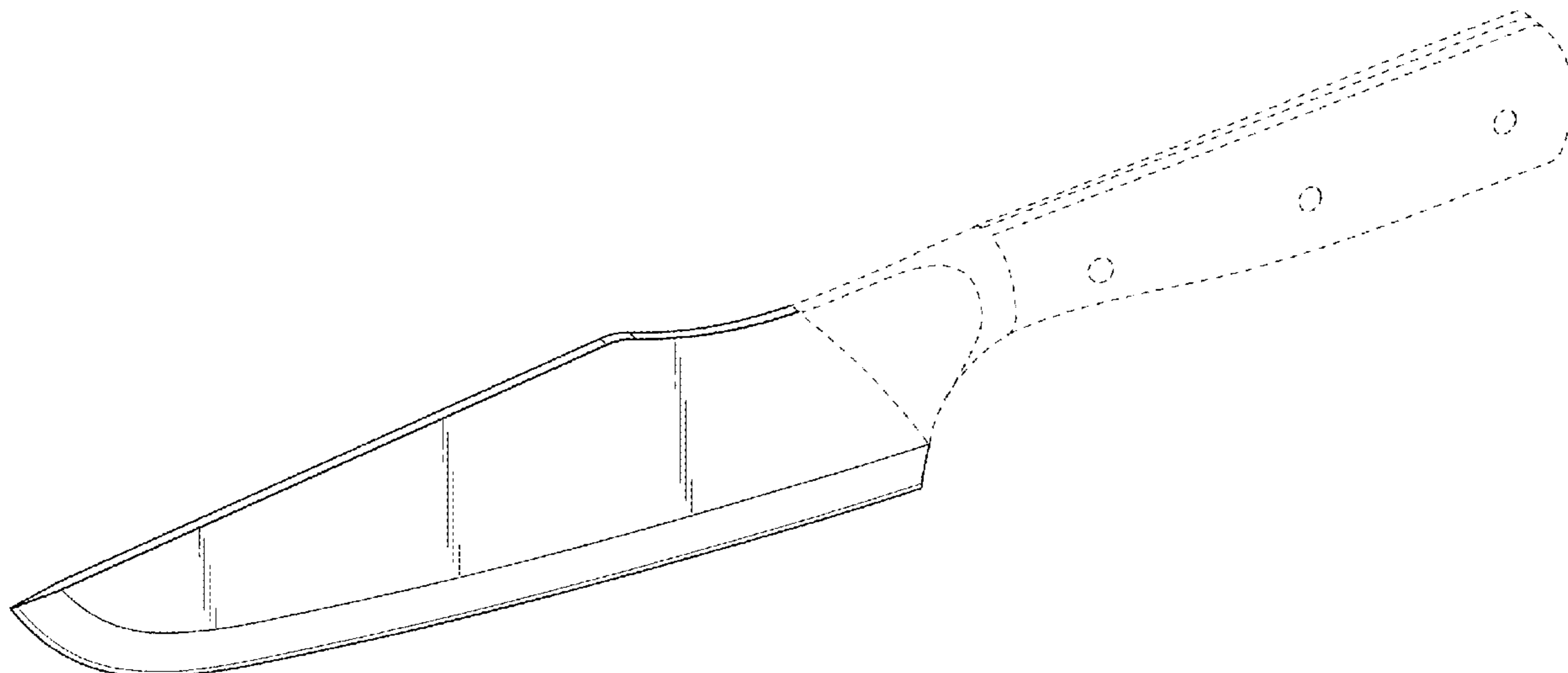
The ornamental design for a knife, as shown and described.

**DESCRIPTION**

FIG. 1 is a perspective view of a knife showing the new design;  
FIG. 2 is a right side view thereof;  
FIG. 3 is a left side view thereof;  
FIG. 4 is a top view thereof;  
FIG. 5 is a bottom view thereof;  
FIG. 6 is a front view thereof; and,  
FIG. 7 is a rear view thereof.

The broken lines are for environmental purposes only and do not form any part of the claimed design.

**1 Claim, 3 Drawing Sheets**



(56)

**References Cited**

**U.S. PATENT DOCUMENTS**

D611,314 S	3/2010	Eide et al.	
D612,694 S	3/2010	Edie et al.	
D617,153 S *	6/2010	Genberg .....	D7/649
D633,345 S	3/2011	Ranieri	
D639,614 S	6/2011	Krapfl et al.	
D639,615 S	6/2011	Krapfl et al.	
D639,616 S	7/2011	Krapfl et al.	
D646,935 S	10/2011	Hatch et al.	
D648,621 S	11/2011	Ranieri et al.	
D661,181 S	6/2012	Ranieri et al.	
8,272,588 B2	9/2012	Burke et al.	
D43,729 S	3/2013	Teller	
D678,732 S	3/2013	Owens	
8,839,524 B2	9/2014	Owens	
9,132,559 B2	9/2015	Hatch et al.	
D749,916 S *	2/2016	Lessmann .....	D7/649
D766,672 S *	9/2016	Mishan .....	D7/649
9,770,126 B2	9/2017	Ludeman et al.	
D798,675 S *	10/2017	Aldous .....	D7/650
10,160,126 B2	12/2018	Ranieri et al.	
10,363,672 B2	7/2019	Kerulis et al.	

10,383,468 B2	8/2019	Kerulis	
D890,578 S *	7/2020	Glesser .....	D7/649
D904,833 S *	12/2020	Singer .....	D7/649
D919,379 S *	5/2021	Glesser .....	D7/649
D925,301 S *	7/2021	Liang .....	D7/649
2006/0218802 A1	10/2006	Stevens	
2008/0307655 A1	12/2008	Laub	

**FOREIGN PATENT DOCUMENTS**

CA	2719051 C	12/2014
CA	2763669 C	8/2015
CA	2884219 A1	9/2015
CA	2909016 C	2/2019
CN	106457579 A	2/2017
DE	11 2016 000 031 T5	1/2017
JP	2018-512286 A	5/2018
KR	10-1942309	1/2019

**OTHER PUBLICATIONS**

U.S. Appl. No. 29/763,123, filed Dec. 21, 2020, Brunner.

\* cited by examiner

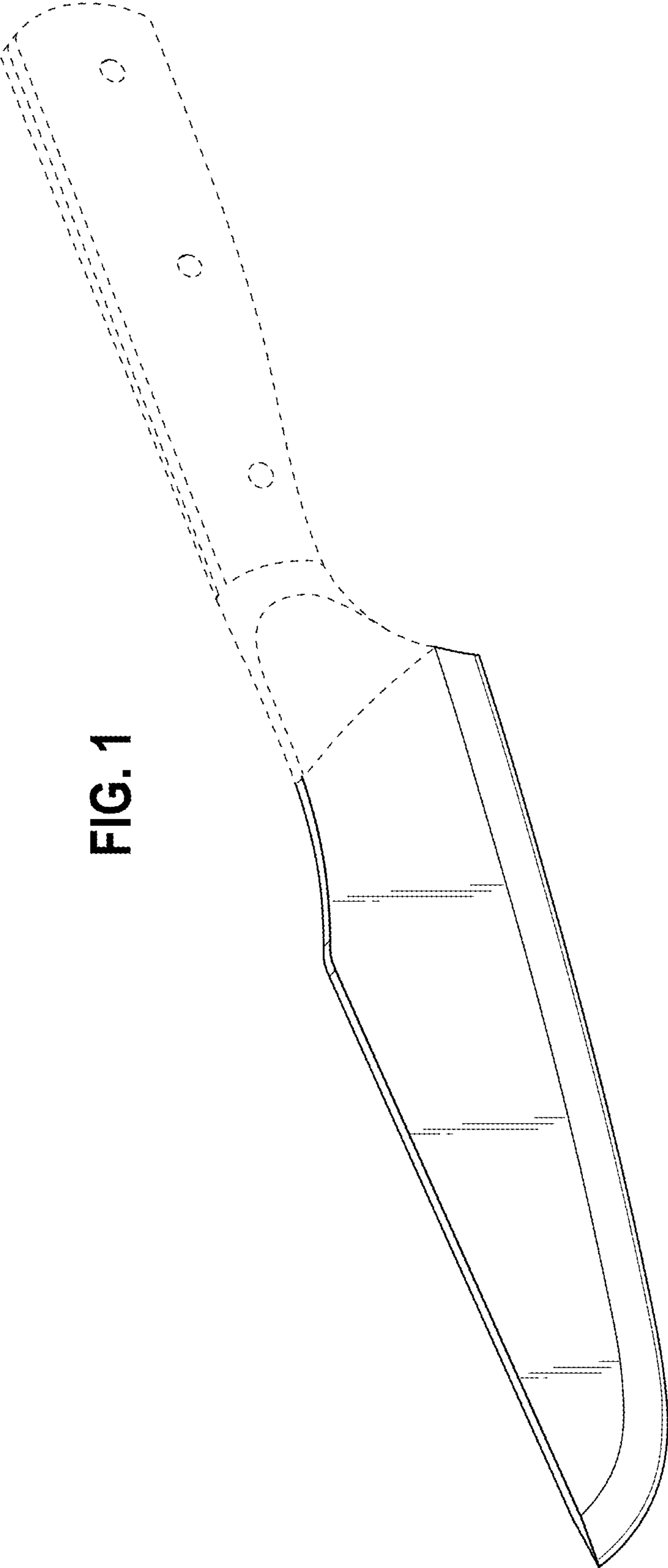


FIG. 1

FIG. 2

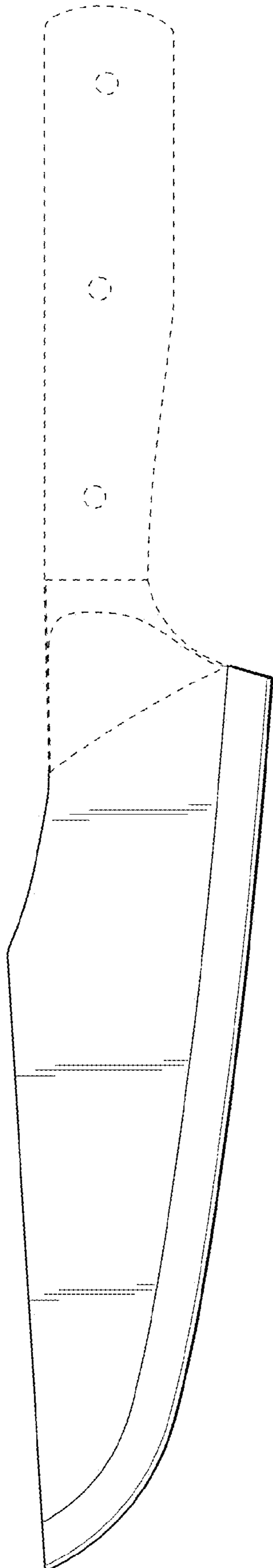


FIG. 3

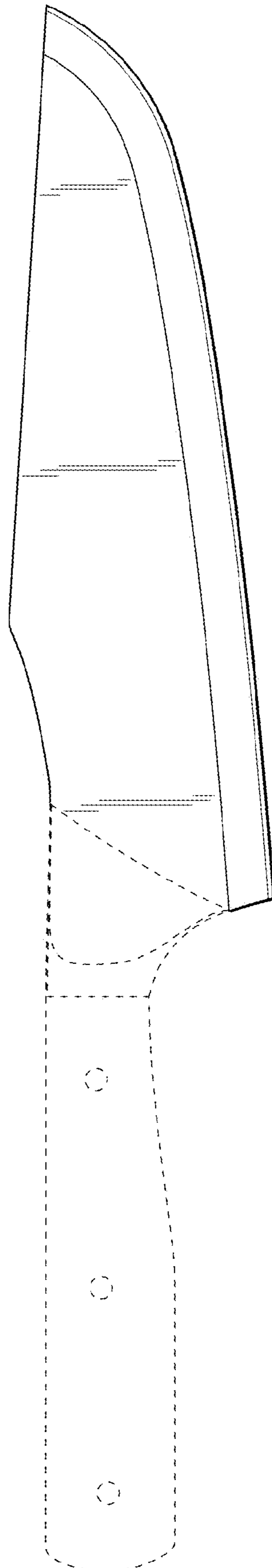


FIG. 4

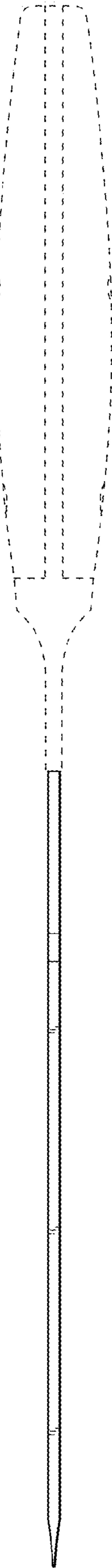


FIG. 5

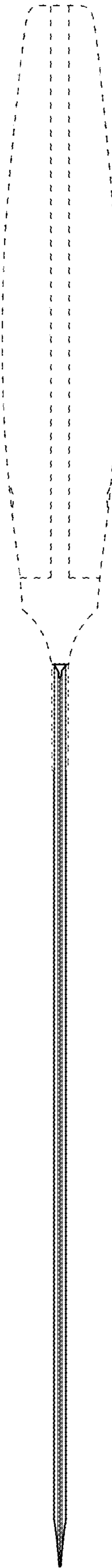


FIG. 6

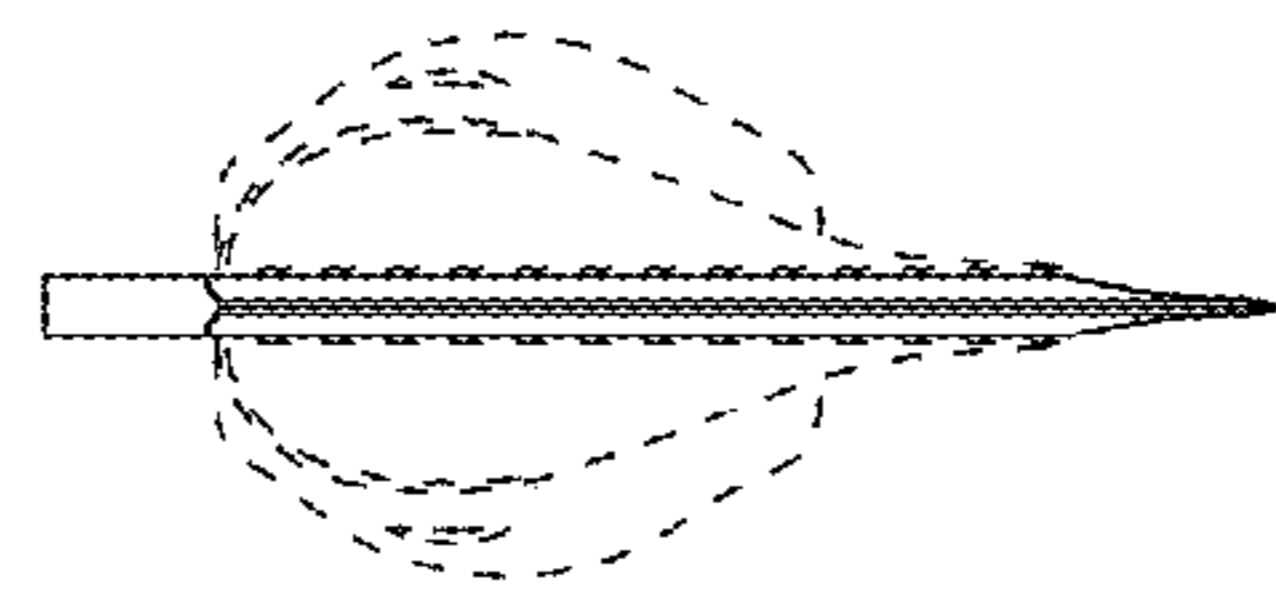


FIG. 7

