



US00D943359S

(12) **United States Design Patent** (10) **Patent No.:** **US D943,359 S**  
**Ko** (45) **Date of Patent:** **\*\* Feb. 15, 2022**

(54) **KNIFE BLOCK**  
(71) Applicant: **Fackelmann Housewares IP Pty Ltd,**  
New South Wales (AU)  
(72) Inventor: **Edward Ko,** New South Wales (AU)  
(73) Assignee: **FACKELMANN HOUSEWARES IP**  
**PTY LTD,** Kingsgrove (AU)

(\*\*) Term: **15 Years**

(21) Appl. No.: **29/699,122**

(22) Filed: **Jul. 23, 2019**

(51) **LOC (13) Cl.** ..... **07-99**

(52) **U.S. Cl.**  
USPC ..... **D7/637**

(58) **Field of Classification Search**  
USPC ..... D3/304, 306, 316; D6/566, 567, 573,  
D6/574; D7/631, 635, 637-641; D19/75,  
D19/81, 83-86, 90, 92  
CPC ..... A47B 88/00; A47B 88/20; A47G 21/14;  
A47G 21/16; A47G 21/184; A47G 23/06;  
A47G 29/087; A47J 45/02; A47J 47/16;  
B65D 1/34; B65D 1/36  
See application file for complete search history.

(56) **References Cited**

**U.S. PATENT DOCUMENTS**

D292,359 S \* 10/1987 Daw ..... D7/637  
D300,497 S \* 4/1989 Goebel ..... D7/637

D317,698 S \* 6/1991 Martinez ..... D7/637  
D360,810 S \* 8/1995 Humaj ..... D7/637  
D533,409 S \* 12/2006 Yamada ..... D7/640  
D572,982 S \* 7/2008 de Bretton Gordon ..... D7/637  
D640,243 S \* 6/2011 Murakami ..... D14/240  
D669,321 S \* 10/2012 Pezzini ..... D7/637  
2008/0276465 A1 \* 11/2008 Lafleur ..... A47G 21/14  
30/298.4

\* cited by examiner

*Primary Examiner* — Janice Patyk

(74) *Attorney, Agent, or Firm* — Wagenknecht IP Law  
Group PC

(57) **CLAIM**

The ornamental design for a knife block, as shown and  
described.

**DESCRIPTION**

FIG. 1 is a top plan view of a knife block showing my new  
design;  
FIG. 2 is a bottom plan view thereof;  
FIG. 3 is a front elevational view thereof;  
FIG. 4 is a rear elevational view thereof;  
FIG. 5 is a right side elevational view thereof;  
FIG. 6 is a left side elevational thereof;  
FIG. 7 is a front, left and top perspective view thereof; and,  
FIG. 8 is a rear, left and top perspective view thereof.  
The broken lines in the figures illustrate the portions of the  
design that form no part of the claimed design.

**1 Claim, 6 Drawing Sheets**

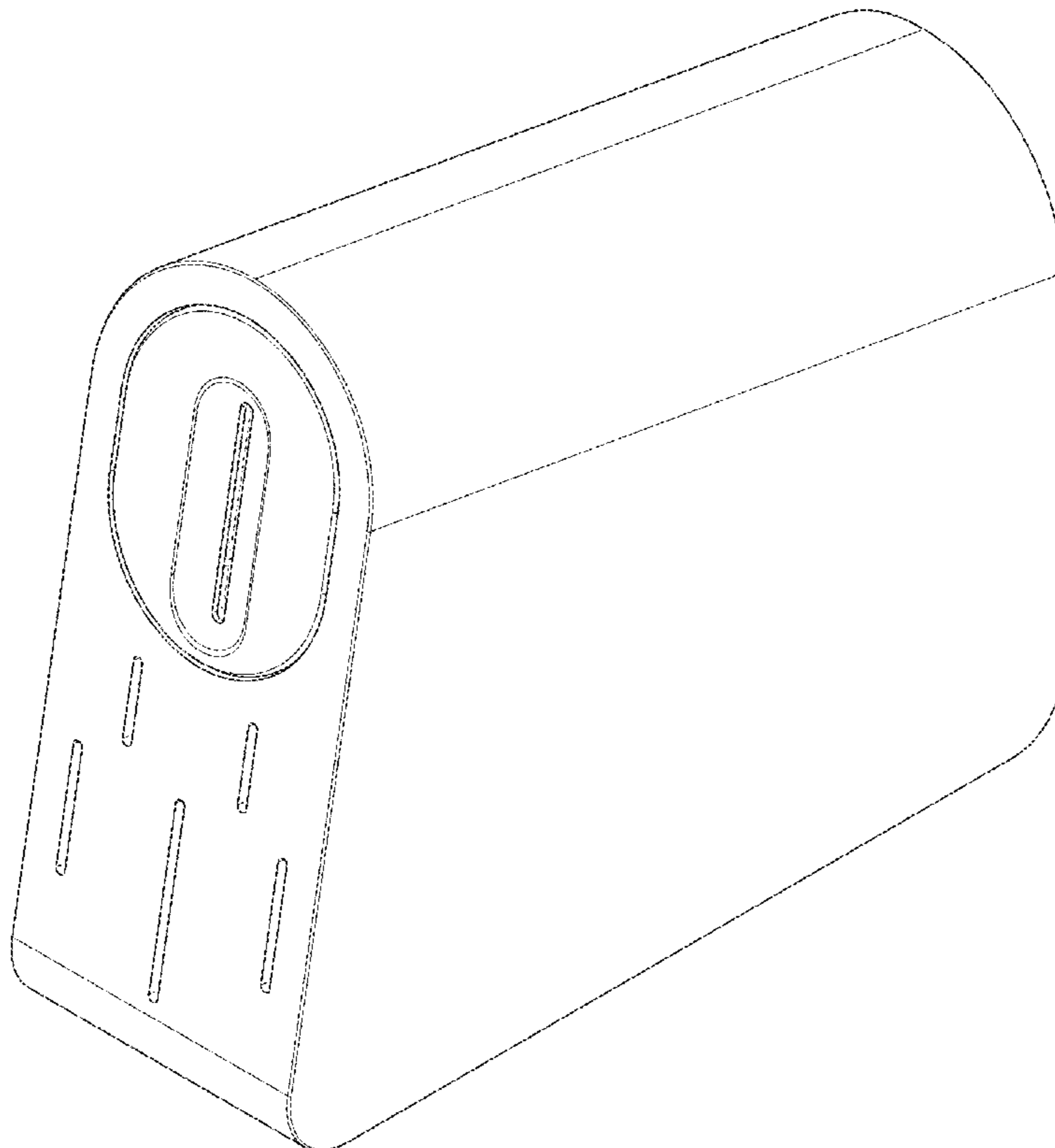




FIG. 1



FIG. 2

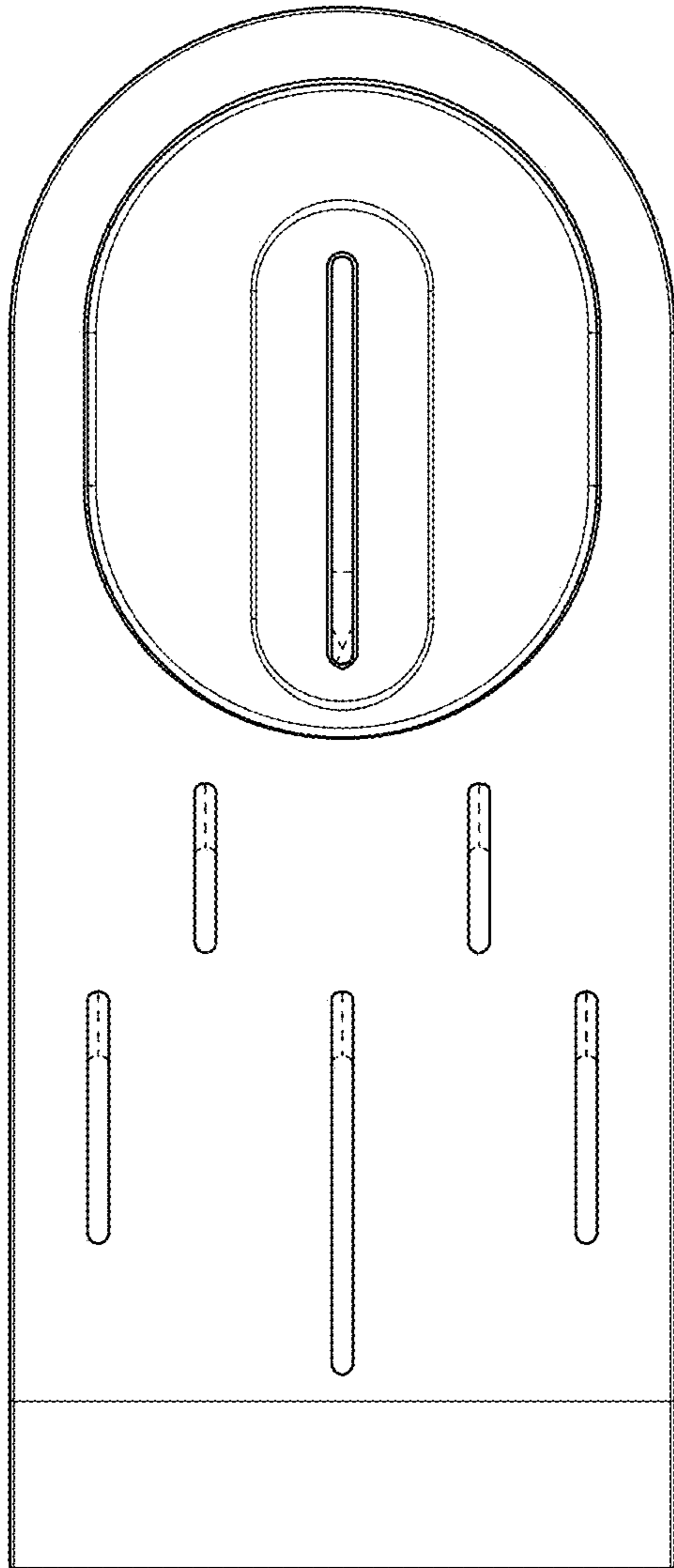


FIG. 3

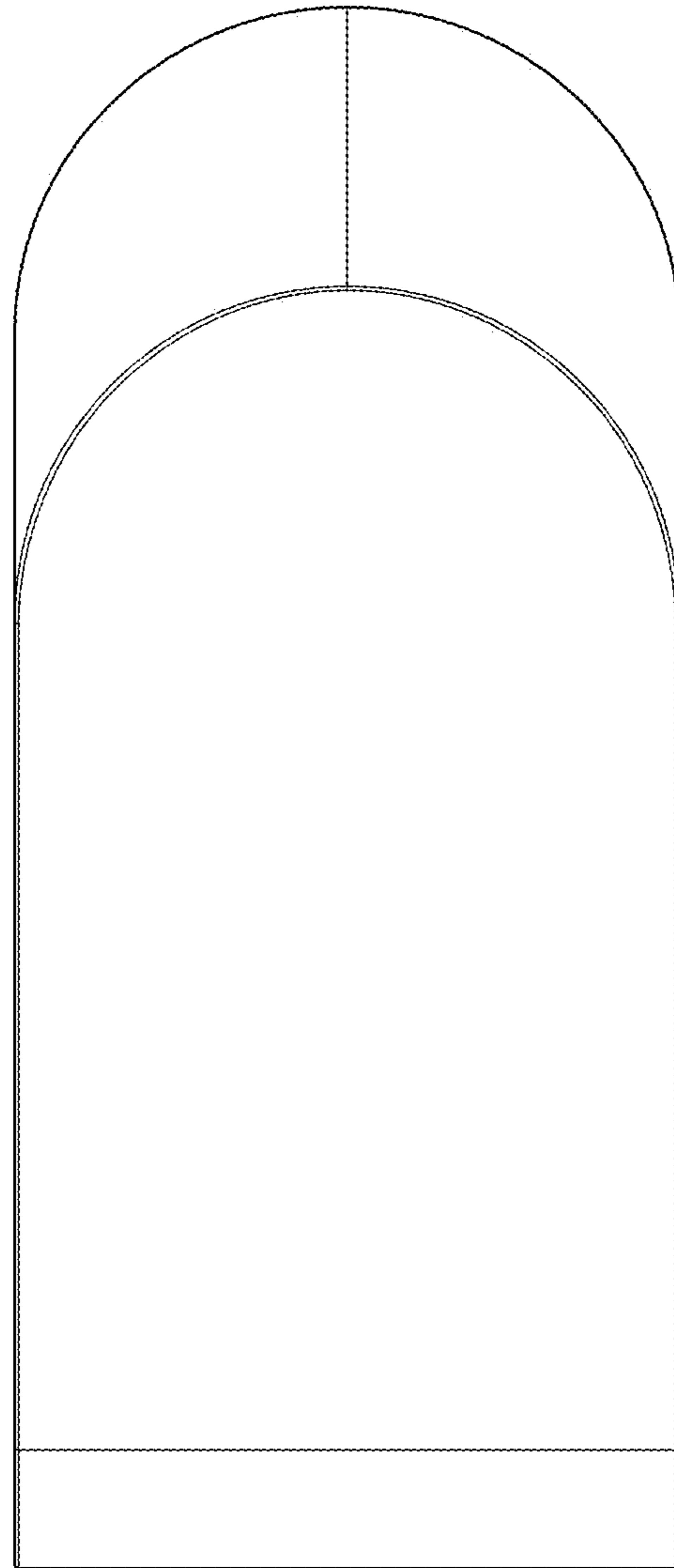


FIG. 4

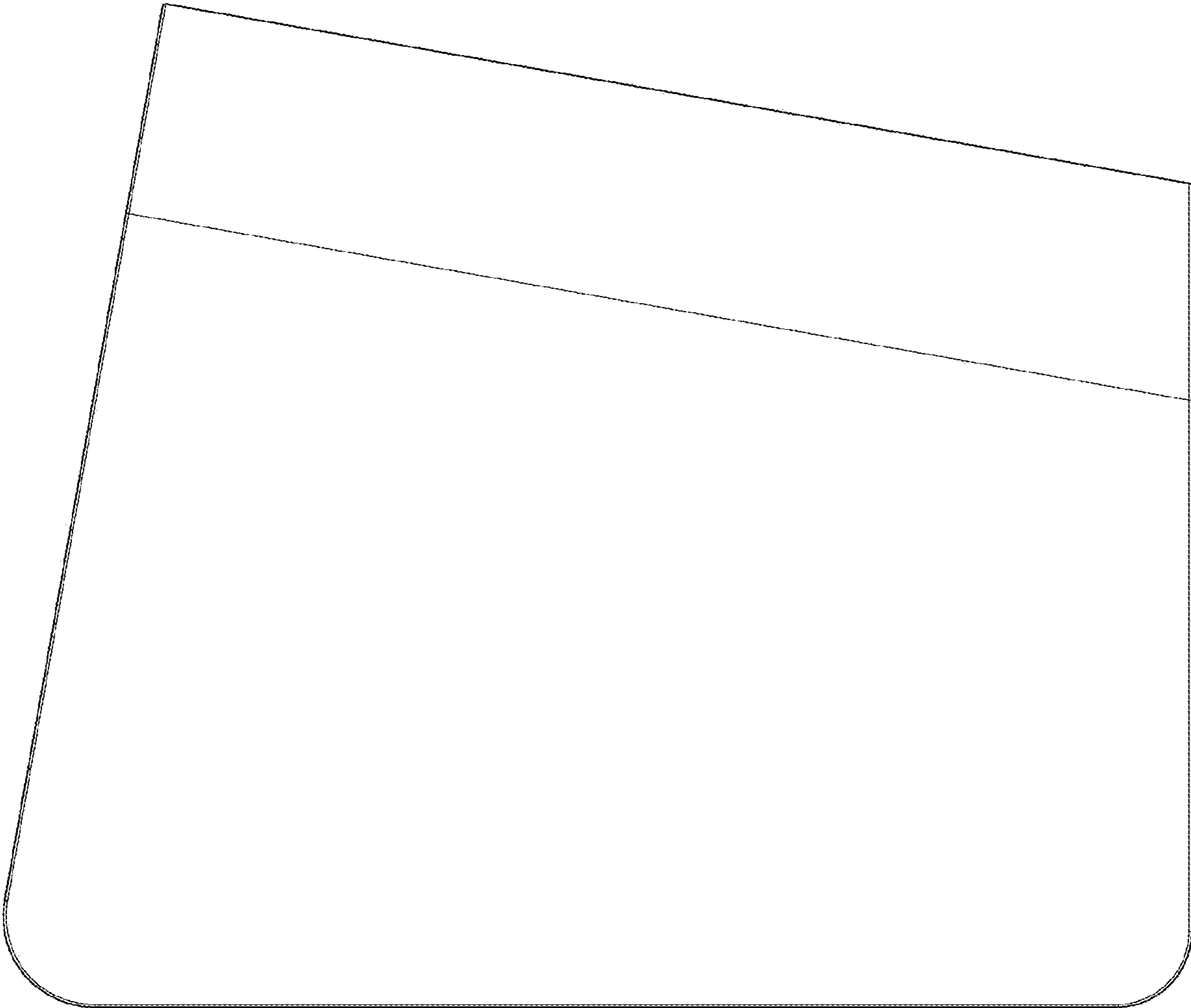


FIG. 5

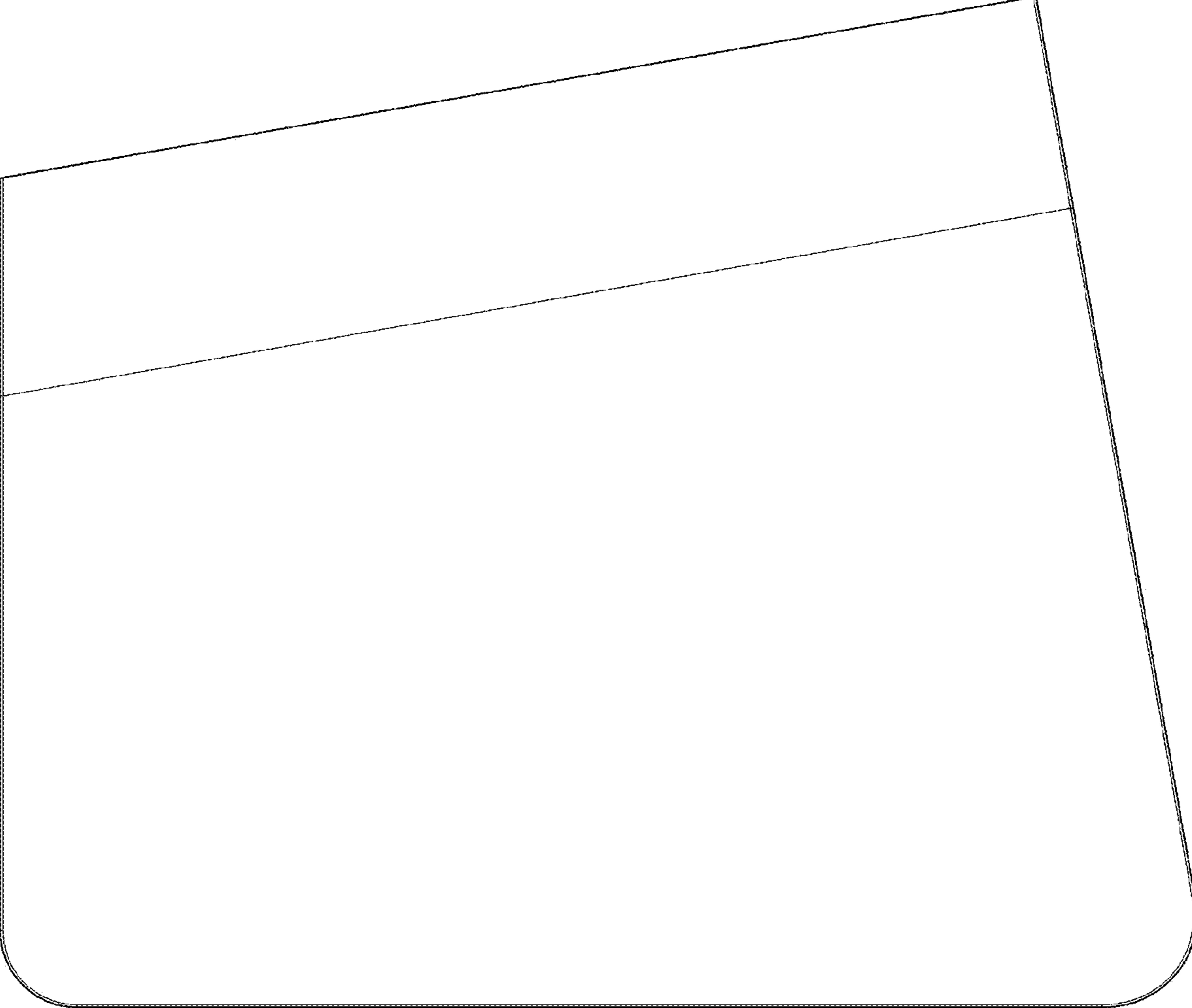


FIG. 6

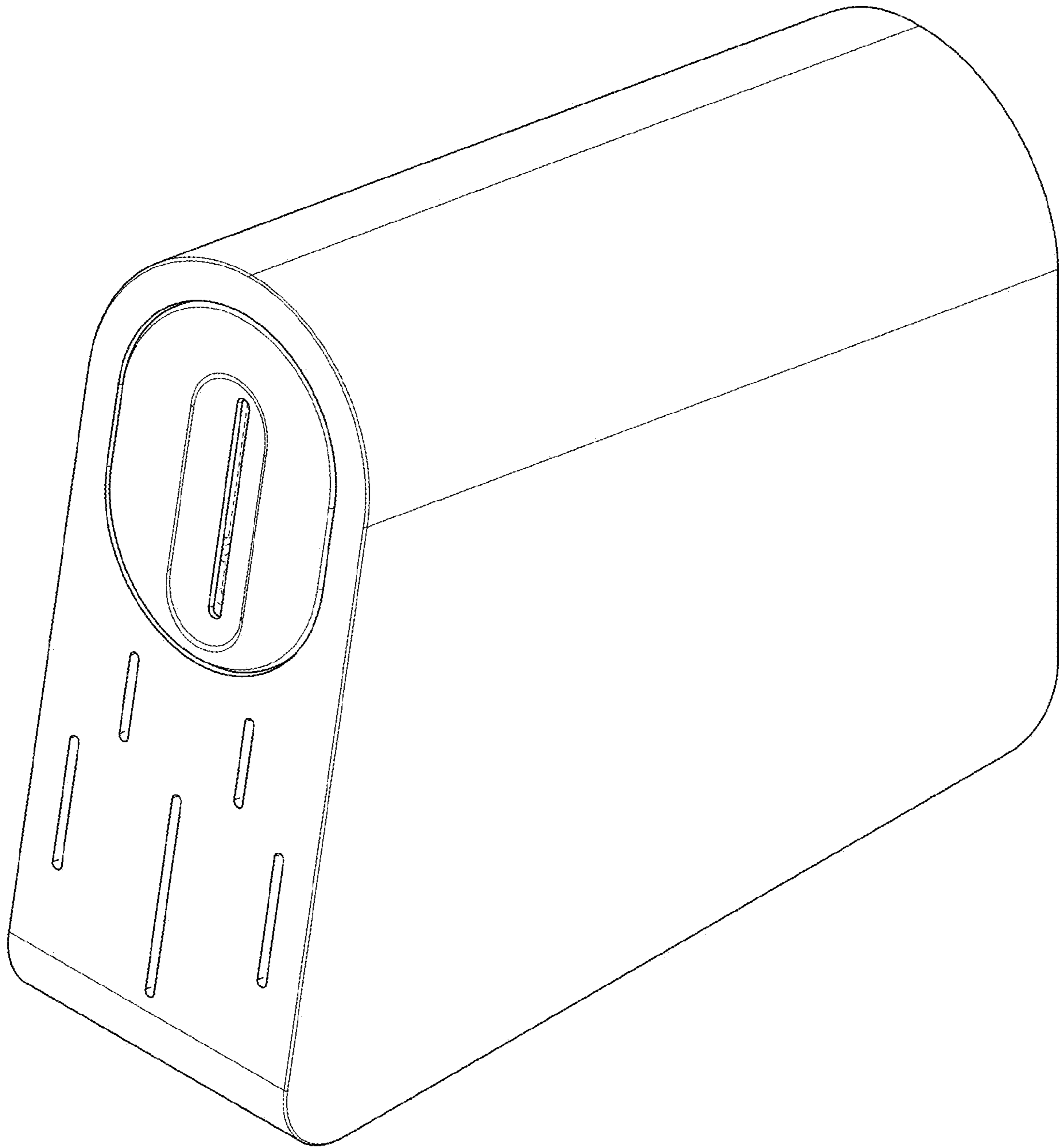


FIG. 7

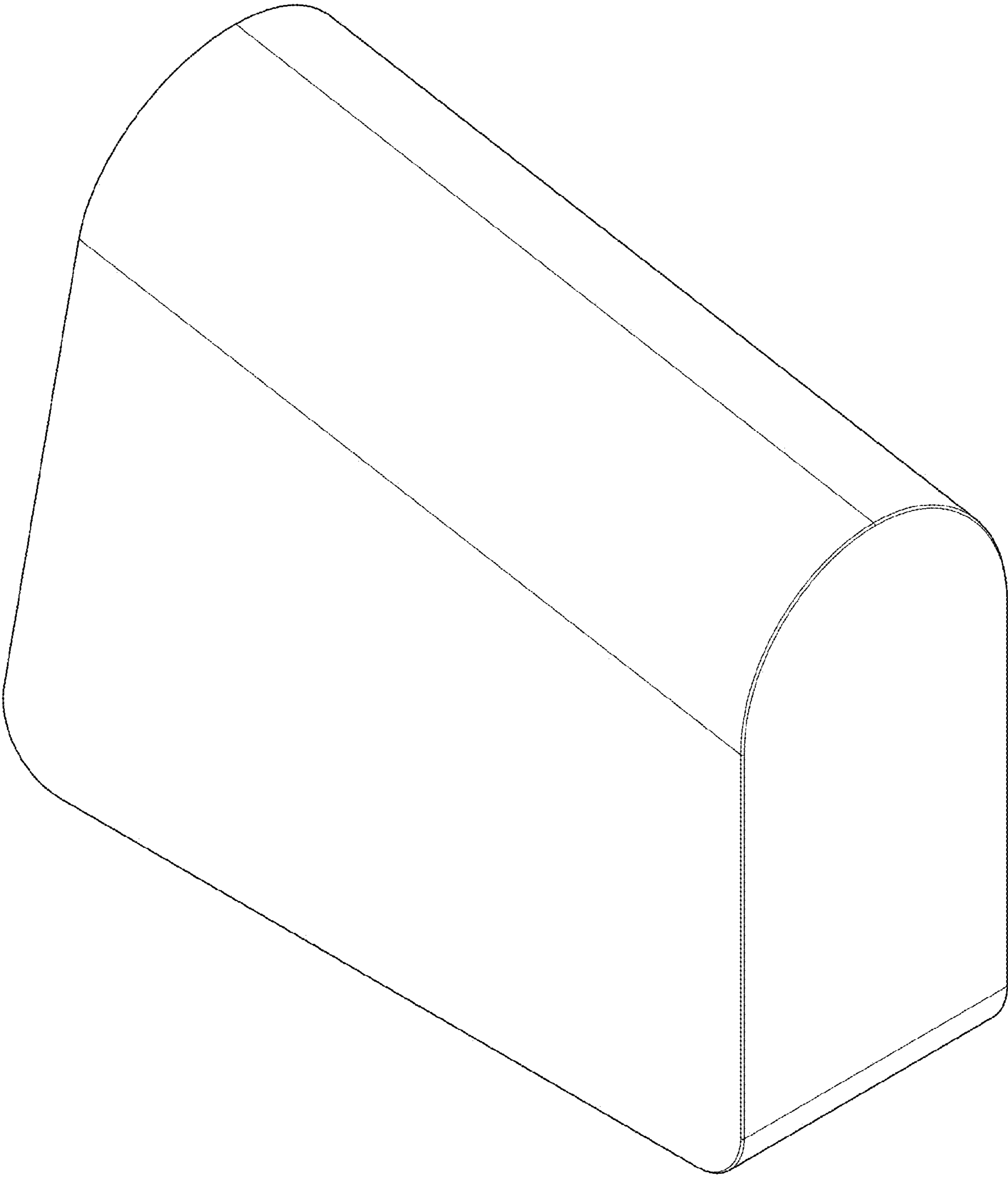


FIG. 8