



US00D943358S

(12) **United States Design Patent**
Owens

(10) **Patent No.:** **US D943,358 S**

(45) **Date of Patent:** **** Feb. 15, 2022**

(54) **PISTOL GRIP TUMBLER HANDLE**

(71) Applicant: **Stephen Owens**, Hesston, KS (US)

(72) Inventor: **Stephen Owens**, Hesston, KS (US)

(**) Term: **15 Years**

(21) Appl. No.: **29/728,456**

(22) Filed: **Mar. 18, 2020**

(51) **LOC (13) Cl.** **07-06**

(52) **U.S. Cl.**
USPC **D7/619.2**

(58) **Field of Classification Search**
USPC D7/619.1-625, 606, 393, 515, 533
CPC A47G 23/0233; A47G 23/0241; A47G
23/0216; A47G 23/0258; A47G 23/0266;
A45C 11/20
See application file for complete search history.

(56) **References Cited**

U.S. PATENT DOCUMENTS

- 2,749,727 A * 6/1956 Fabro A47G 23/0233
215/236
- D303,195 S * 9/1989 Devine D7/515
- D340,623 S * 10/1993 Ryan D7/536
- D505,298 S * 5/2005 Holt D7/515
- D516,661 S * 3/2006 McGarry D22/104

- D697,765 S * 1/2014 Wampold D7/606
- D750,435 S * 3/2016 Hebert D7/515
- D799,273 S * 10/2017 Wright D7/515
- D871,146 S * 12/2019 Herbert D7/515
- D871,165 S * 12/2019 Gray D7/622
- 2015/0108152 A1* 4/2015 Franzen B65D 25/2817
220/758

* cited by examiner

Primary Examiner — Terry A Wallace

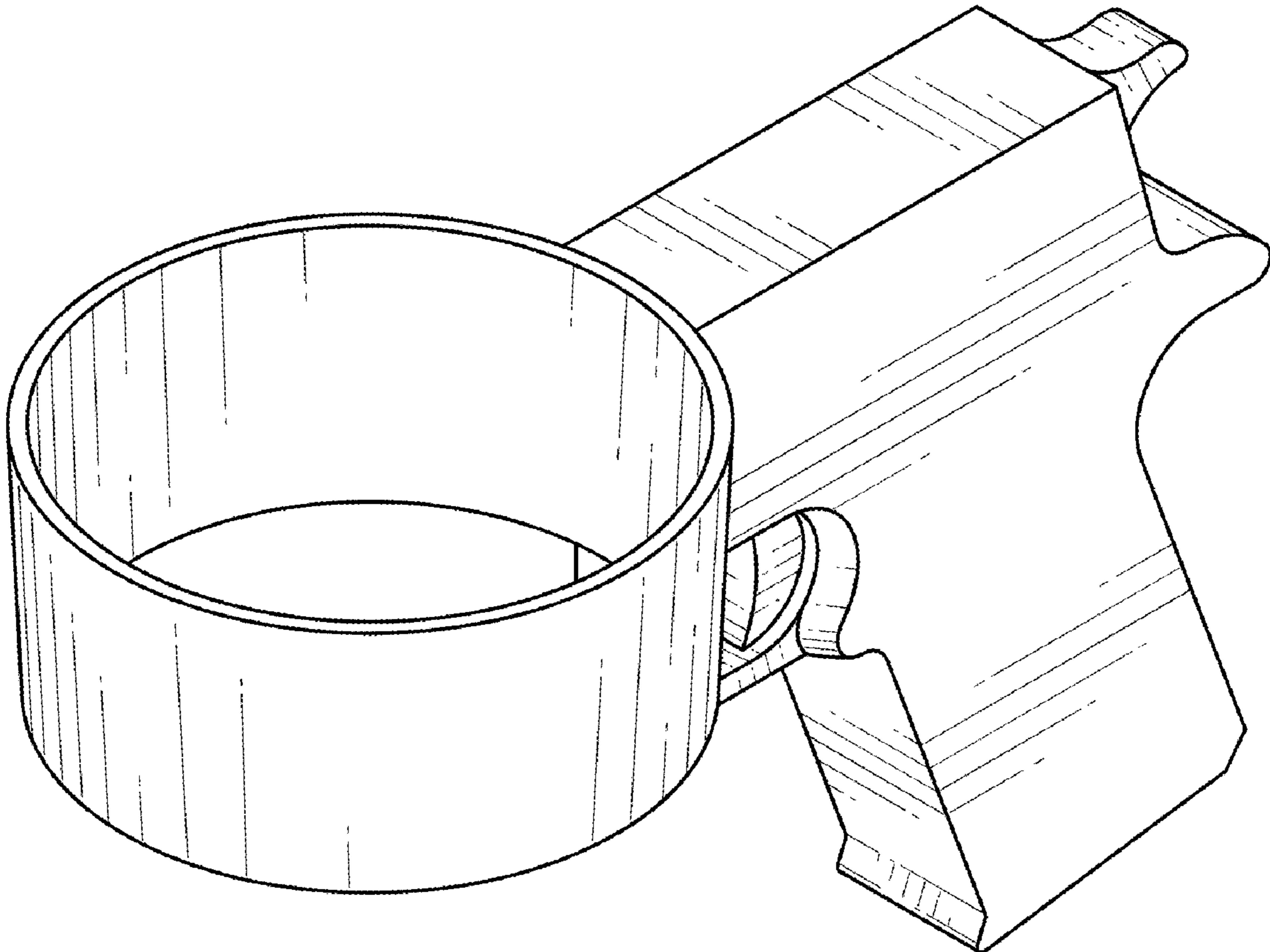
(57) **CLAIM**

The ornamental design for a pistol grip tumbler handle, as shown and described.

DESCRIPTION

FIG. 1 is a top perspective view of a pistol grip tumbler handle showing my new design;
 FIG. 2 is a bottom perspective view thereof;
 FIG. 3 is a front elevated view thereof;
 FIG. 4 is a rear elevated view thereof;
 FIG. 5 is a top plan view thereof;
 FIG. 6 is a bottom plan view thereof;
 FIG. 7 is a right elevated view thereof;
 FIG. 8 is a left elevated view thereof; and,
 FIG. 9 is a top perspective view thereof, showing the pistol grip tumbler handle holding a beverage container.
 The broken lines showing of a beverage container in FIG. 9 are included for the purpose of showing environmental structure and form no part of the claimed design.

1 Claim, 9 Drawing Sheets



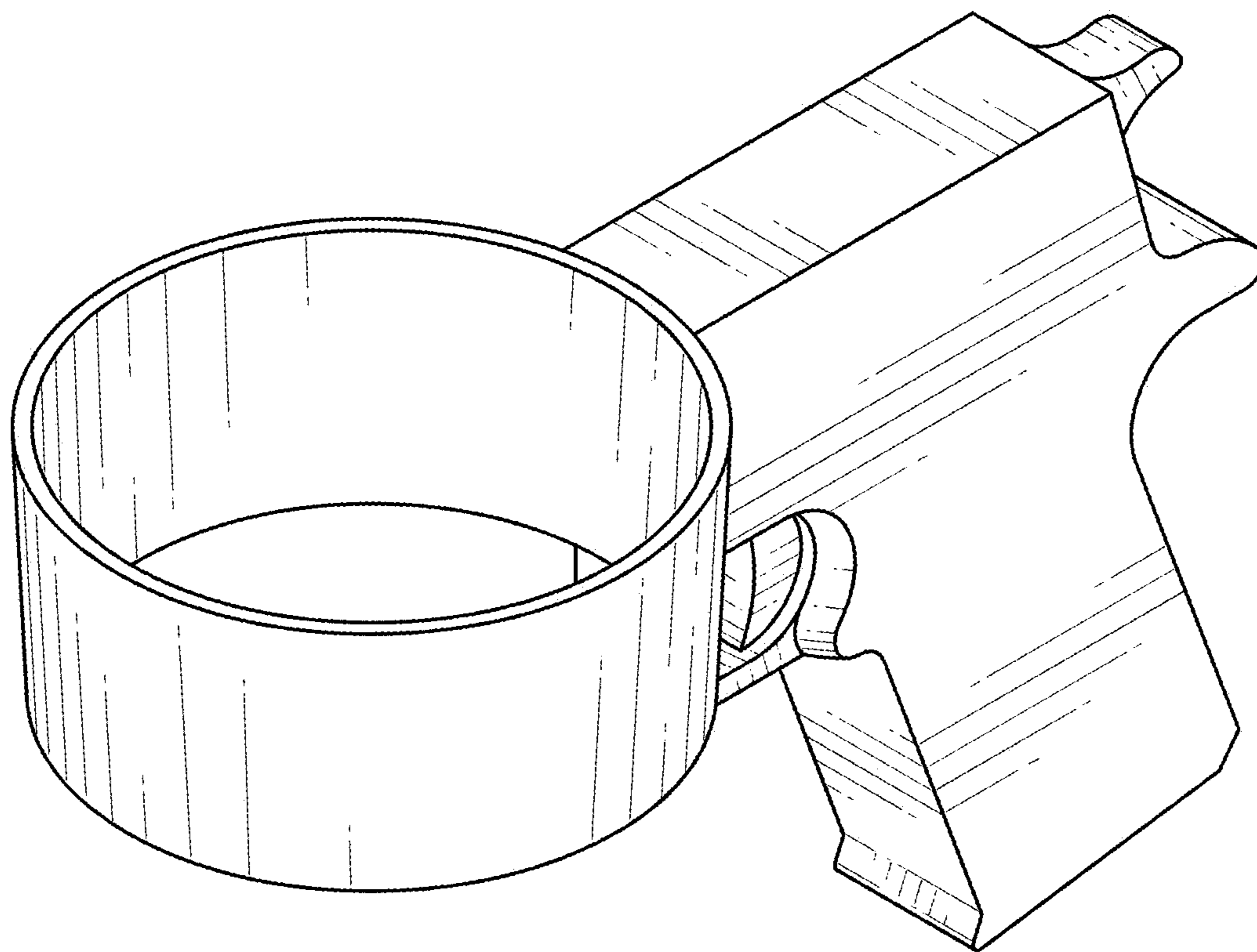


FIG. 1

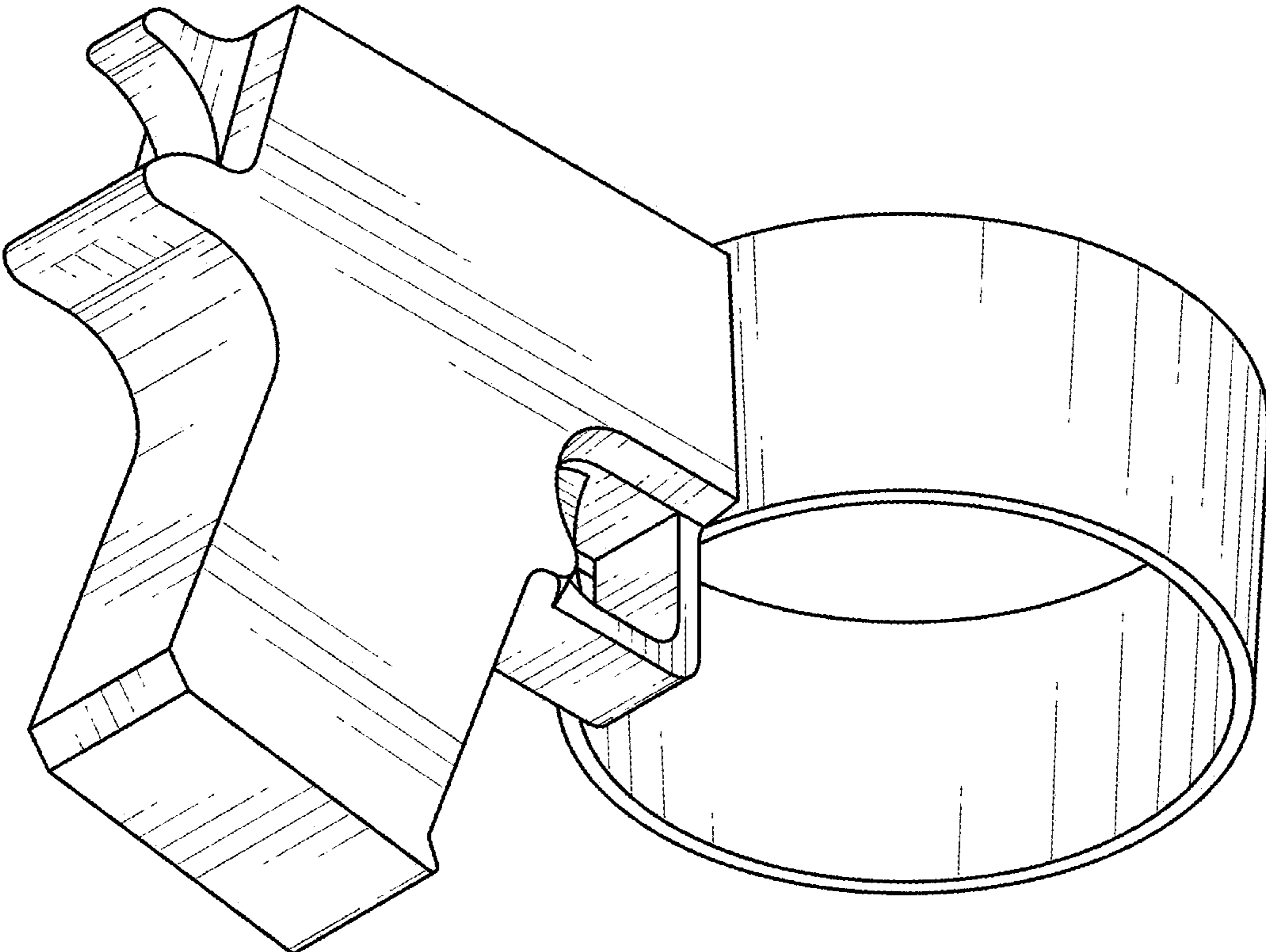


FIG. 2

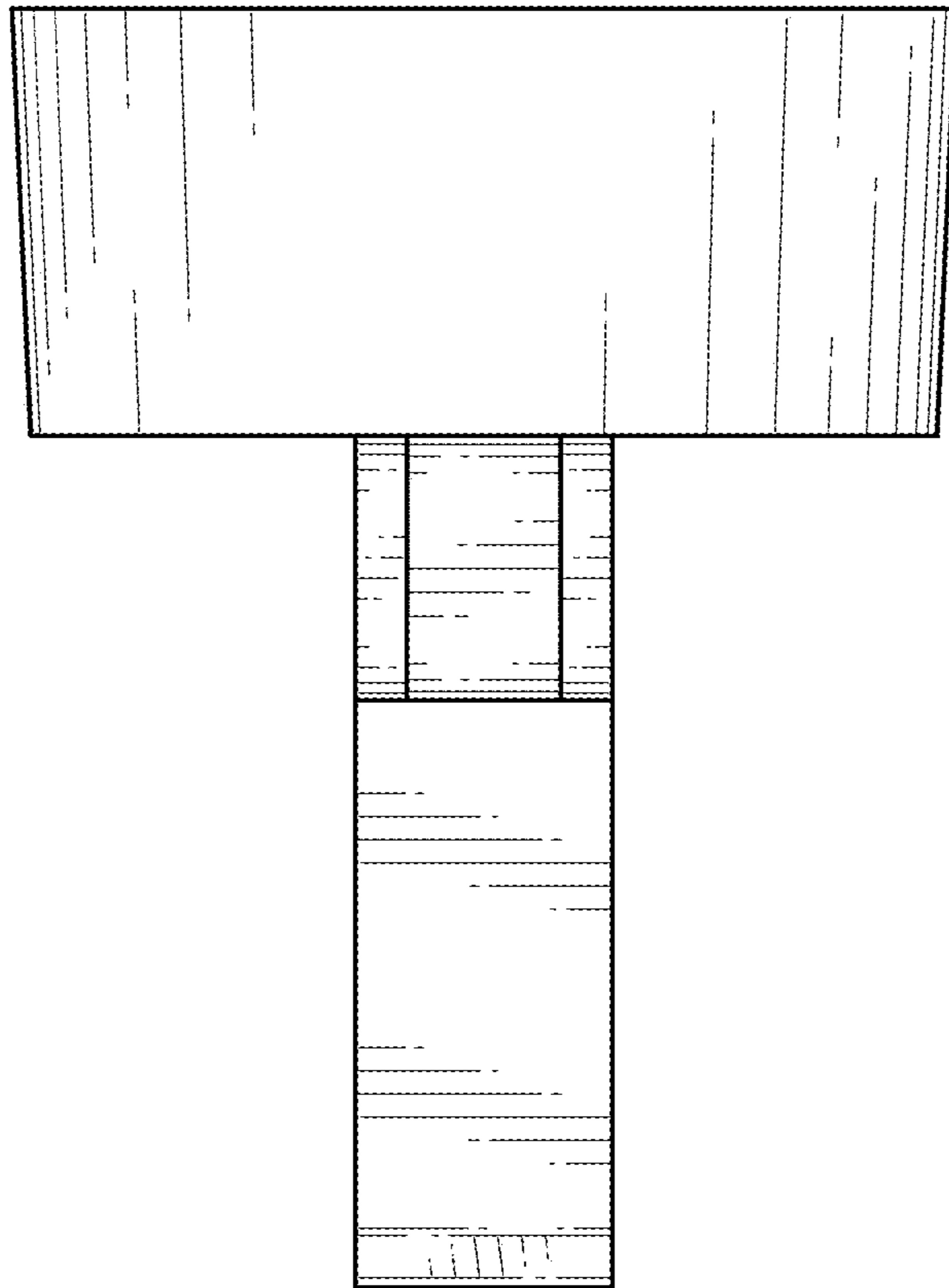


FIG. 3

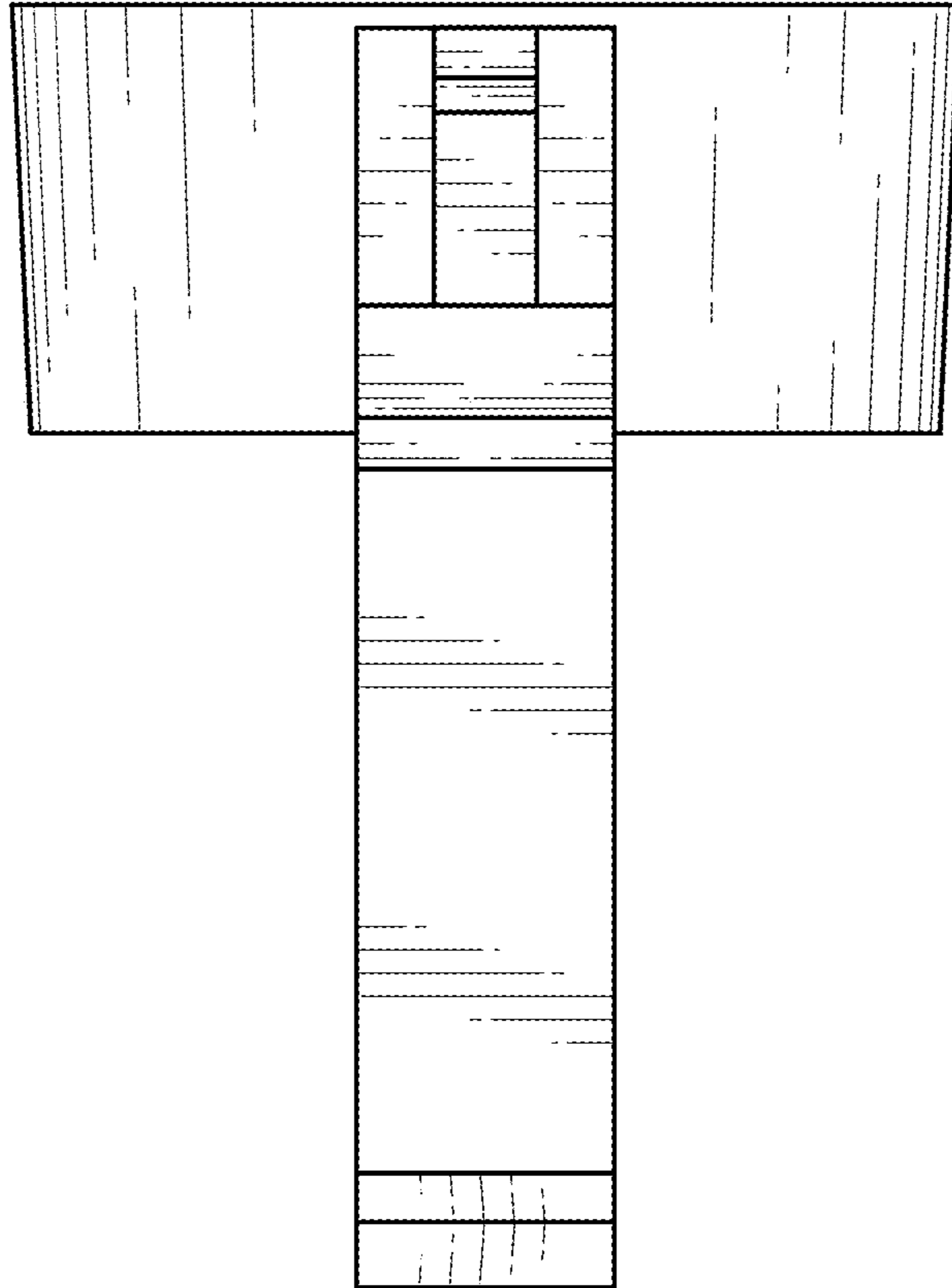


FIG. 4

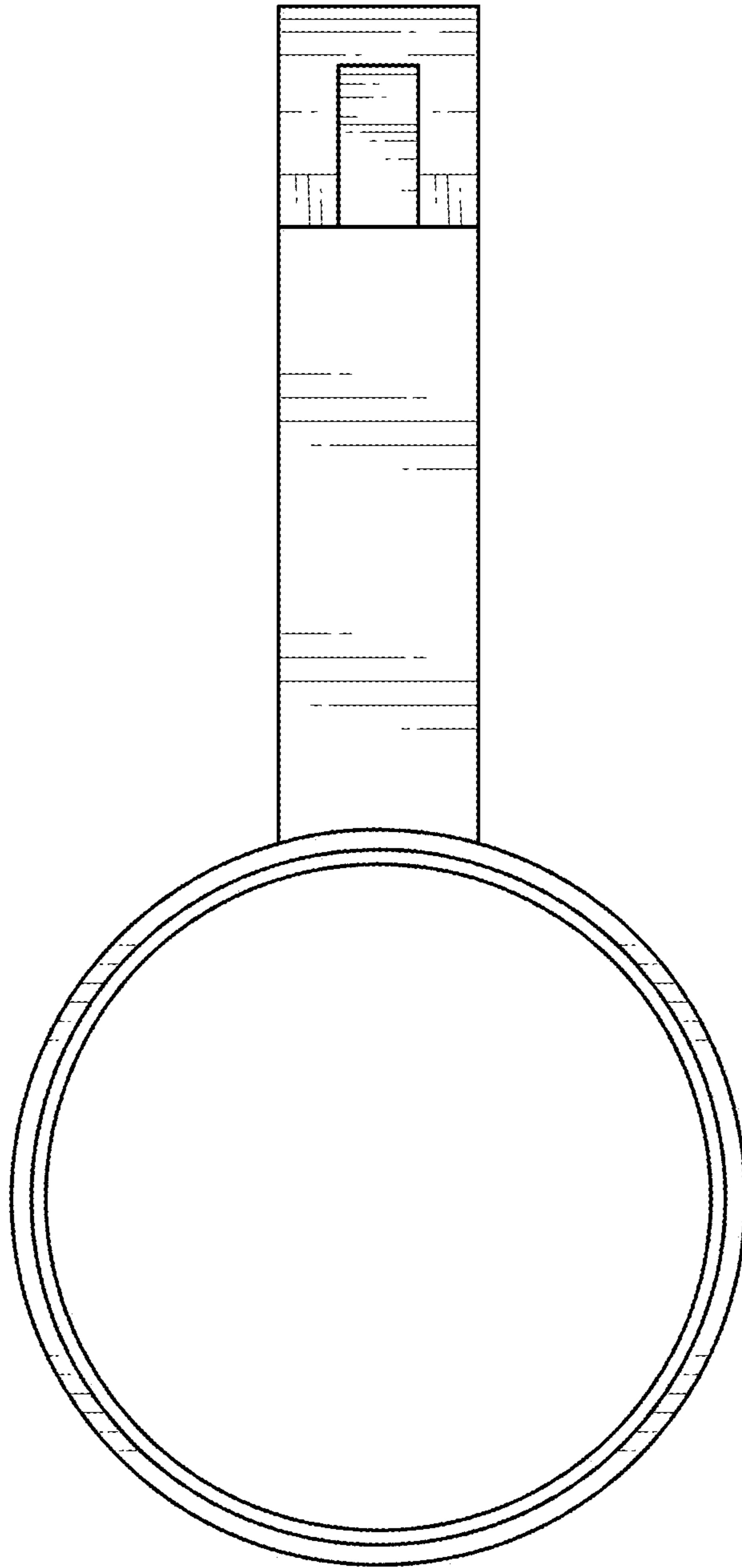


FIG. 5

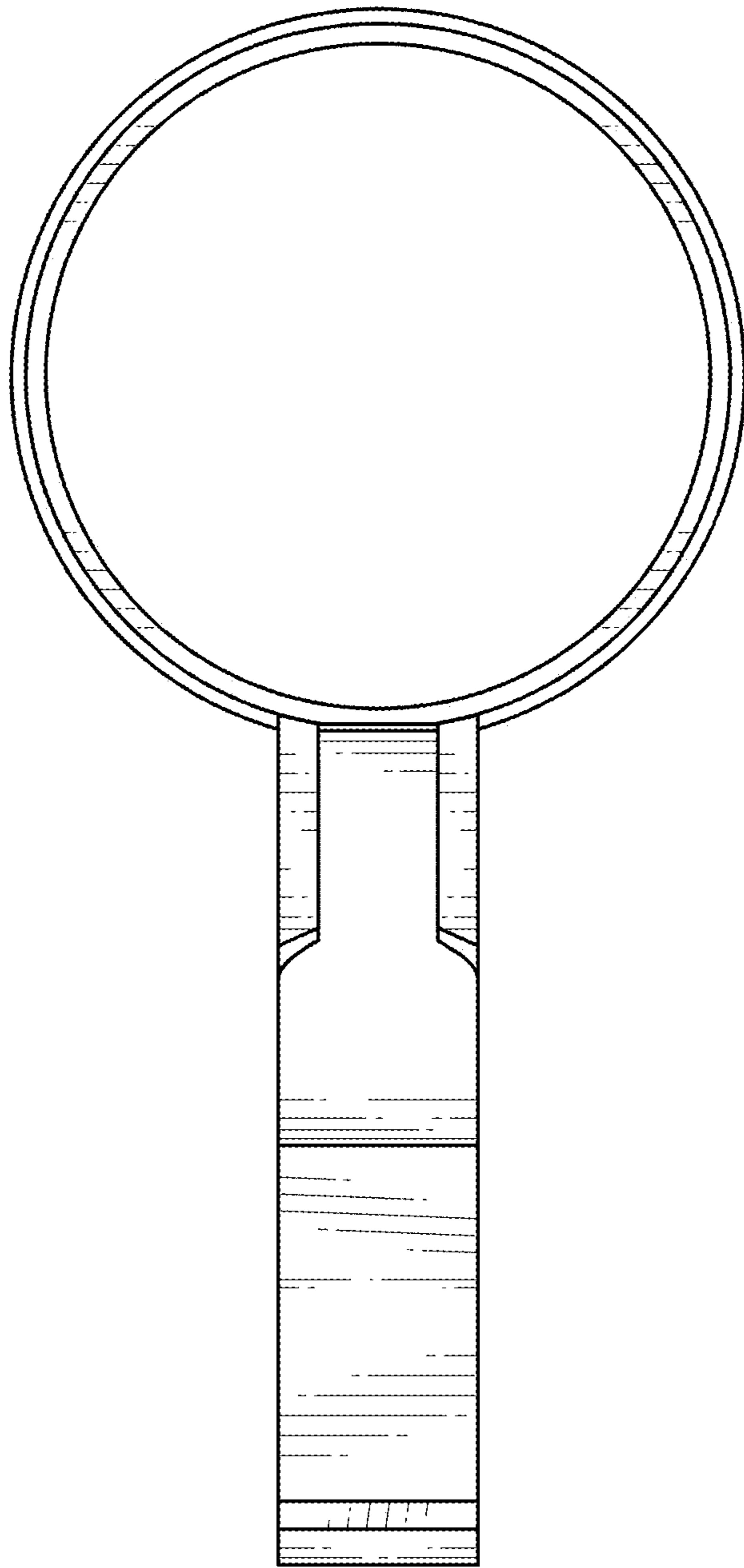


FIG. 6

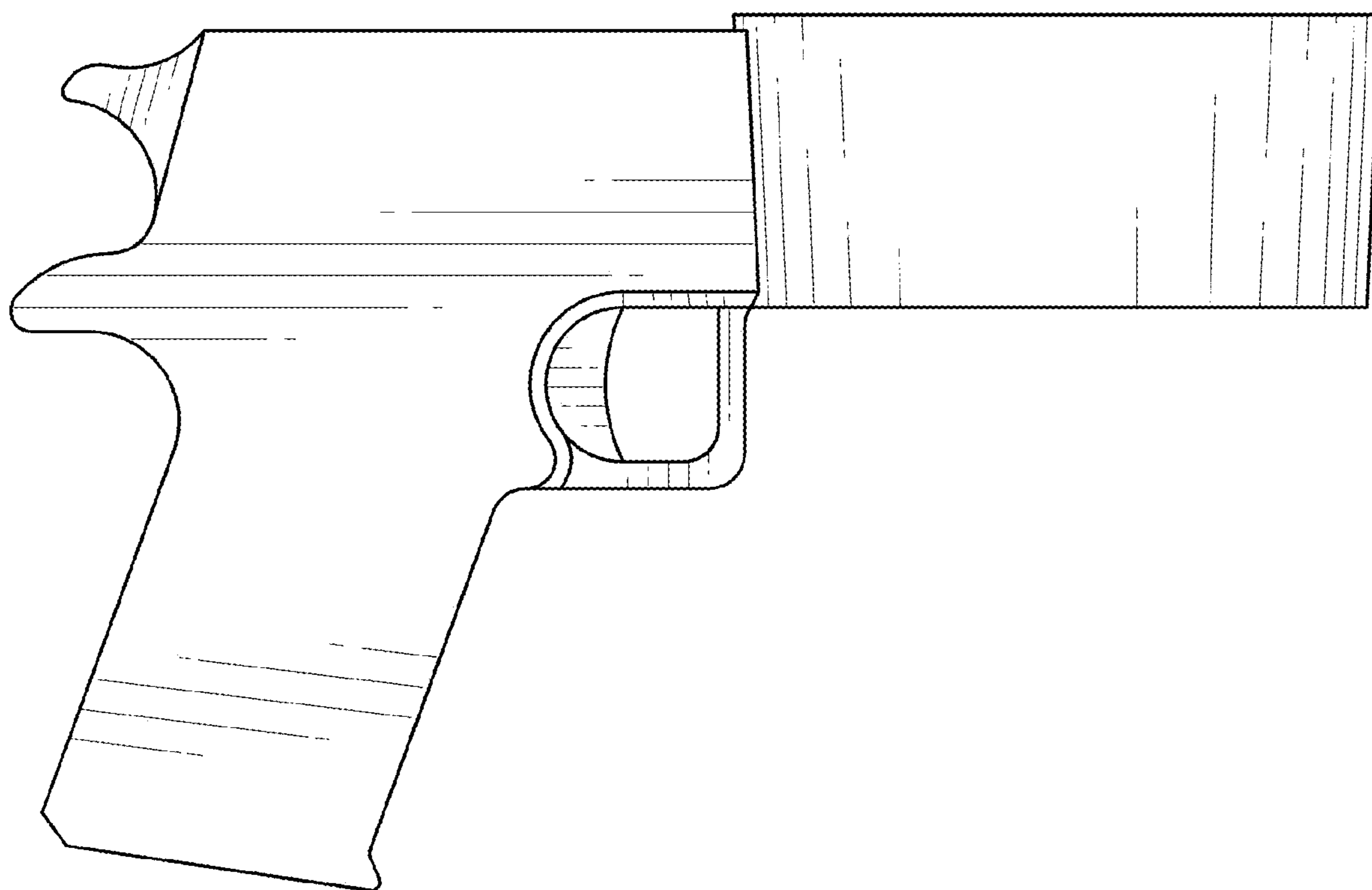


FIG. 7

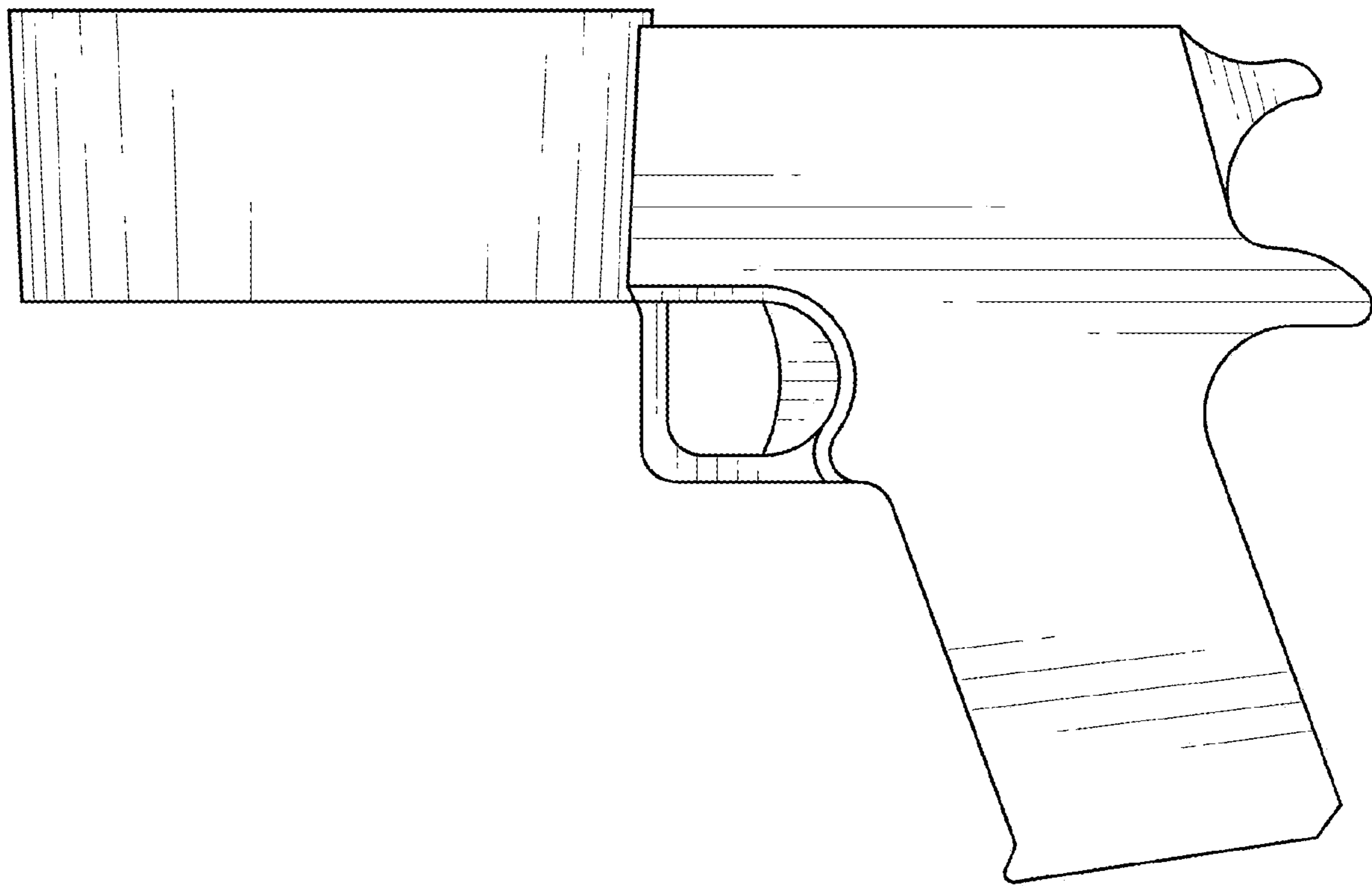


FIG. 8

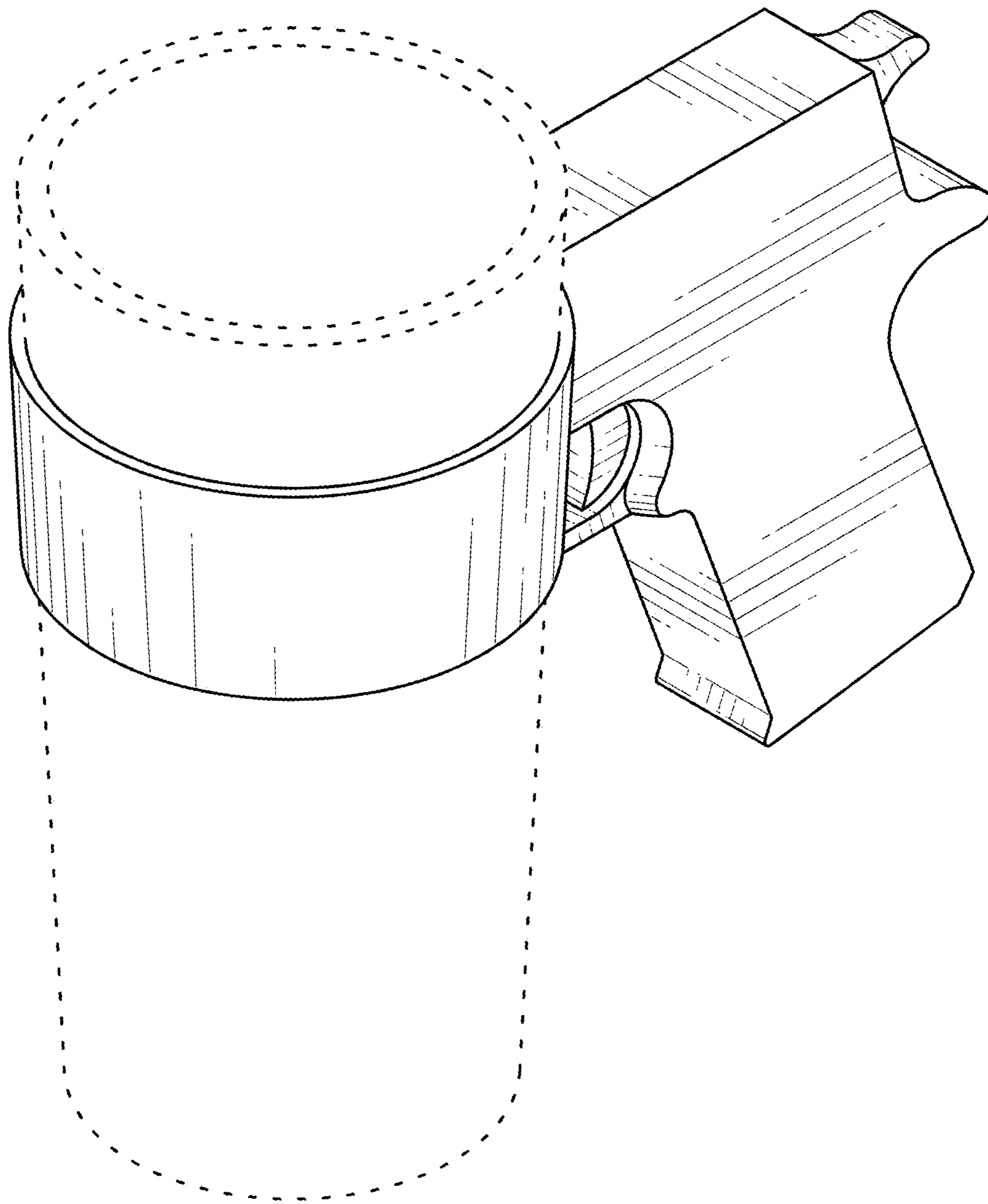


FIG. 9