



US00D943357S

(12) **United States Design Patent** (10) **Patent No.:** **US D943,357 S**
Seiders et al. (45) **Date of Patent:** **** Feb. 15, 2022**

(54) **BOTTLE**

(71) Applicant: **YETI Coolers, LLC**, Austin, TX (US)

(72) Inventors: **Roy Joseph Seiders**, Austin, TX (US);
Steve Charles Nichols, Austin, TX (US); **Matthew Joseph Petrillo**, Austin, TX (US)

(73) Assignee: **YETI Coolers, LLC**, Austin, TX (US)

(**) Term: **15 Years**

(21) Appl. No.: **29/783,713**

(22) Filed: **May 14, 2021**

Related U.S. Application Data

(63) Continuation of application No. 29/741,398, filed on Jul. 13, 2020, now Pat. No. Des. 922,152, which is a continuation of application No. 29/710,243, filed on Oct. 22, 2019, now Pat. No. Des. 889,913, which is a continuation of application No. 29/653,729, filed on Jun. 18, 2018, now Pat. No. Des. 872,542, which is a continuation of application No. 29/618,680, filed on
(Continued)

(51) **LOC (13) Cl.** **07-01**

(52) **U.S. Cl.**
USPC **D7/608**

(58) **Field of Classification Search**
USPC D7/603–608, 509–511; D9/500–505, 516
CPC B65D 81/3837; B65D 81/3839; B65D 81/3841; B65D 81/3844; B65D 81/3867; B65D 81/3846; B65D 81/3869; B65D 81/3881; B65D 81/3876; B65D 23/104; B65D 23/10; A47J 41/0005; A47J 41/0083; A47J 41/02; A47J 41/024; A47J 41/026; A47J 41/0072; A47J 41/028; A47J 41/0077; A47J 41/00; A47J 41/022; A47J 41/0088; F25D 2331/803; F25D 3/08; A45C 11/20; A47G 19/22; A47G 19/2288; A47G 19/2205

See application file for complete search history.

(56) **References Cited**

U.S. PATENT DOCUMENTS

D105,373 S 7/1937 Connor
D109,331 S 4/1938 McManus et al.
(Continued)

FOREIGN PATENT DOCUMENTS

CN 3554078 D 8/2006
CN 3581184 D 11/2006
(Continued)

OTHER PUBLICATIONS

Jane. Spill Resistant Flip Lid and Yeti Accessories. Dec. 5, 2016 [earliest online date], [site visited Apr. 28, 2017]. Available from Internet, <URL:https://jane.com/deal/263319/spill-resistant-flip-lid-and-yeti-accessories-30oz-many-colors>.

(Continued)

Primary Examiner — Terry A Wallace

(74) *Attorney, Agent, or Firm* — Banner & Witcoff, Ltd.

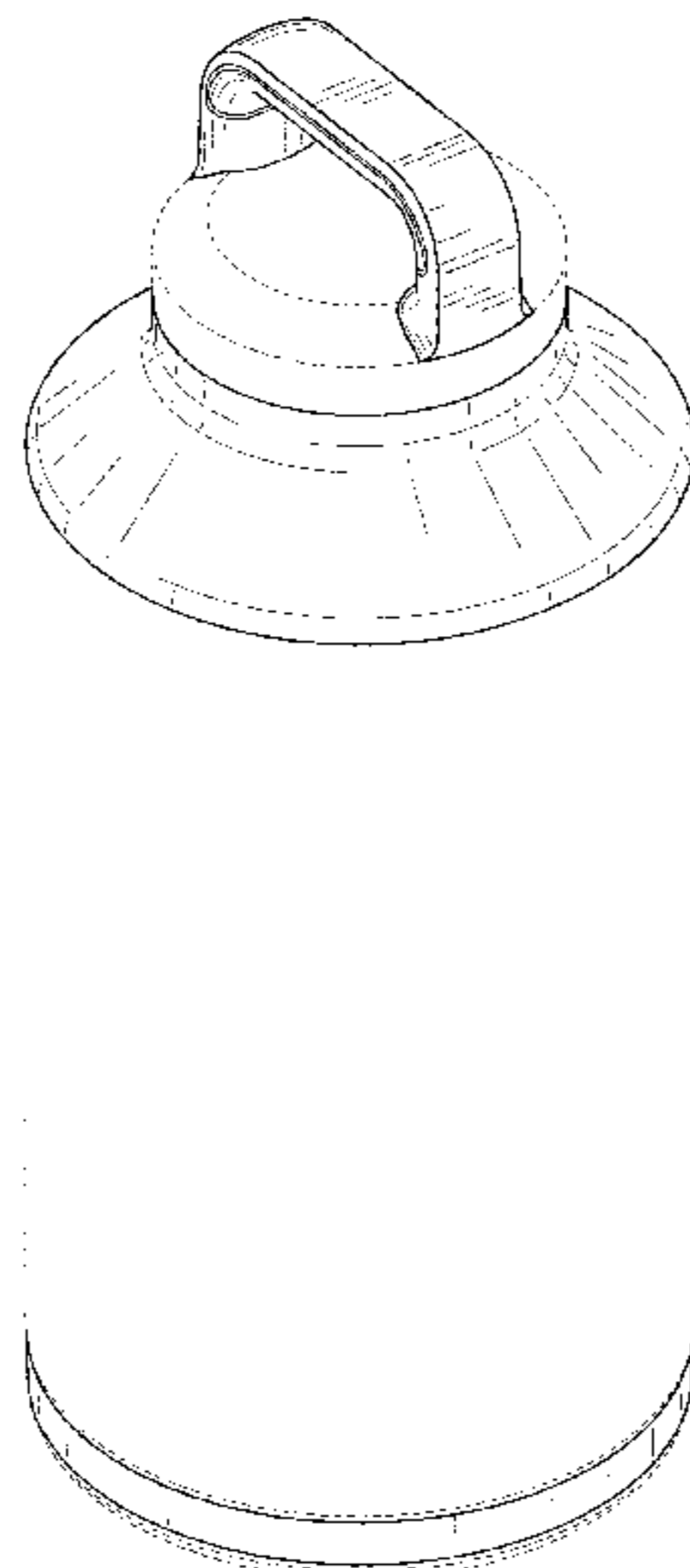
(57) **CLAIM**

The ornamental design for a bottle, as shown and described.

DESCRIPTION

FIG. 1 is a top, front, right perspective view of a bottle showing our new design;
FIG. 2 is a front view thereof, wherein the rear view is a mirror image of FIG. 2;
FIG. 3 is a right side view thereof, wherein the left side view is a mirror image of FIG. 3;
FIG. 4 is a top view thereof; and,
FIG. 5 is a bottom view thereof.
The broken lines depicting the remainder of the bottle show features that form no part of the claimed design.

1 Claim, 4 Drawing Sheets



Related U.S. Application Data

Sep. 22, 2017, now Pat. No. Des. 820,650, which is a continuation of application No. 29/605,464, filed on May 26, 2017, now Pat. No. Des. 799,908, which is a continuation of application No. 29/544,197, filed on Oct. 30, 2015, now Pat. No. Des. 804,255.

(56)

References Cited

U.S. PATENT DOCUMENTS

D154,378 S 7/1949 Fuller
 D177,761 S 5/1956 Reinhardt
 2,963,187 A 12/1960 Bramming
 D192,192 S 2/1962 Tupper
 3,089,603 A 5/1963 Leslie-Smith
 3,147,876 A 9/1964 Lepore
 3,596,808 A 8/1971 Corsette
 D224,646 S 8/1972 Vollquartz
 D235,303 S 6/1975 Boucher
 D246,029 S 10/1977 Lynn et al.
 4,090,660 A 5/1978 Schram et al.
 4,202,459 A 5/1980 DeParales et al.
 D256,651 S 9/1980 Leung et al.
 D266,391 S 10/1982 Jordon
 4,408,703 A 10/1983 Libit
 D279,346 S 6/1985 Ruxton
 D281,567 S 12/1985 Zimmermann
 D286,604 S 11/1986 Bierlein et al.
 D286,847 S 11/1986 Zimmermann
 D287,211 S 12/1986 Weiss
 4,630,742 A 12/1986 Miyaji et al.
 D290,678 S 7/1987 Johnson et al.
 D300,495 S 4/1989 Minuti
 D301,821 S 6/1989 Bartolo
 D305,871 S 2/1990 Geiger
 D316,371 S 4/1991 Vola
 D321,628 S * 11/1991 Kobayashi D7/608
 D322,753 S 12/1991 Sussman
 D324,281 S 2/1992 Brusing
 D324,976 S 3/1992 Katz
 D327,093 S 6/1992 Evenson
 5,160,769 A 11/1992 Garrett
 D332,379 S 1/1993 Murphy
 D345,676 S 4/1994 Biffle
 D347,359 S 5/1994 Robbins, III
 D354,915 S 1/1995 Schneider et al.
 5,392,967 A 2/1995 Satomi et al.
 D363,666 S 10/1995 Goto et al.
 D368,224 S 3/1996 Arndt
 D369,525 S 5/1996 Winters
 D370,300 S 5/1996 Gottvald et al.
 D375,870 S 11/1996 Stonehouse
 D381,906 S 8/1997 Bartsch
 D391,450 S 3/1998 Rausch
 D396,191 S 7/1998 Kuzma et al.
 D398,193 S 9/1998 Sanchez
 D404,974 S 2/1999 Kristinik
 D405,609 S 2/1999 Fu et al.
 D405,650 S 2/1999 Meier
 D408,689 S 4/1999 Kato
 D411,742 S 6/1999 Kokenge et al.
 D415,395 S 10/1999 Hunt et al.
 D417,127 S 11/1999 Steadward et al.
 D422,916 S 4/2000 Herrmann
 6,170,693 B1 1/2001 Goto
 D437,556 S 2/2001 Holliday et al.
 6,332,557 B1 12/2001 Moran
 D455,052 S 4/2002 Gullickson et al.
 D455,612 S 4/2002 Gullickson et al.
 D456,669 S 5/2002 Munari
 D458,133 S 6/2002 Berish et al.
 D458,134 S 6/2002 Berish et al.
 D466,814 S 12/2002 Hurlburt
 D470,724 S 2/2003 Basara
 D471,064 S 3/2003 Renz
 D474,651 S 5/2003 Ward

D479,800 S 9/2003 McRae
 6,626,326 B2 9/2003 Murakami
 D482,607 S 11/2003 McRae
 D483,995 S 12/2003 Otake
 D485,759 S 1/2004 Janky et al.
 D494,425 S 8/2004 Segura
 D497,778 S 11/2004 Rich
 D502,052 S 2/2005 Meade
 D504,796 S 5/2005 Schuler et al.
 D521,866 S 5/2006 Hicks et al.
 D524,909 S 7/2006 Bakke et al.
 D525,518 S 7/2006 Baldwin
 D533,032 S 12/2006 Liu et al.
 D535,151 S 1/2007 Seum et al.
 D536,929 S * 2/2007 Kingsley D7/510
 D544,749 S 6/2007 Seum et al.
 D548,082 S * 8/2007 Kingsley D9/500
 D552,926 S 10/2007 Yelland
 D553,914 S 10/2007 Wahl
 D554,000 S 10/2007 Walsh
 D554,503 S 11/2007 Kerman et al.
 D554,993 S 11/2007 Kerman et al.
 D561,470 S 2/2008 Jalet
 D564,363 S 3/2008 Rhea
 D568,740 S 5/2008 Williams
 H2217 H 6/2008 Smay et al.
 D572,585 S 7/2008 Perrin et al.
 D584,623 S 1/2009 Chupak
 D585,245 S 1/2009 Brouillette
 D586,184 S 2/2009 Miller et al.
 D587,533 S 3/2009 Carreno
 D592,909 S 5/2009 Alviar et al.
 D593,372 S 6/2009 Carreno
 D593,811 S 6/2009 Carreno
 D596,460 S 7/2009 Nezu
 D601,436 S 10/2009 Stephens et al.
 D603,331 S 11/2009 Schupp
 D603,722 S 11/2009 Reimer
 D604,181 S 11/2009 Reimer
 D604,561 S 11/2009 Chisholm
 D605,040 S 12/2009 Fry et al.
 D605,060 S 12/2009 Reimer
 D608,140 S 1/2010 Gilbert
 D608,195 S 1/2010 Germann
 D609,567 S 2/2010 Komet et al.
 D611,346 S 3/2010 Camomile
 D612,235 S 3/2010 Cresswell et al.
 D614,918 S 5/2010 Chisholm
 D615,360 S 5/2010 Joy et al.
 D615,816 S 5/2010 Joy et al.
 D616,703 S 6/2010 Joy et al.
 D616,743 S 6/2010 Cresswell et al.
 D616,744 S 6/2010 Cresswell et al.
 D617,608 S 6/2010 Yang et al.
 D618,500 S 6/2010 Hardaway
 D619,457 S 7/2010 Walsh
 D619,458 S 7/2010 Walsh
 D619,459 S 7/2010 Walsh
 D620,798 S 8/2010 Cresswell et al.
 D621,257 S 8/2010 Gullickson et al.
 D621,258 S 8/2010 Gullickson et al.
 D622,089 S 8/2010 Daniel et al.
 D622,145 S 8/2010 Walsh
 D622,554 S 8/2010 Carreno
 D623,062 S 9/2010 Gullickson et al.
 D623,475 S 9/2010 Aarnoudse et al.
 D623,896 S 9/2010 Wahl et al.
 D625,560 S 10/2010 Olson et al.
 D625,563 S 10/2010 He
 D625,564 S 10/2010 He
 D625,616 S 10/2010 Gogola et al.
 D626,414 S 11/2010 Cresswell et al.
 D626,416 S 11/2010 Cresswell et al.
 D627,600 S 11/2010 Eyal
 D627,601 S 11/2010 Eyal
 D627,602 S 11/2010 Eyal
 D627,603 S 11/2010 Eyal
 D627,604 S 11/2010 Eyal
 D628,486 S 12/2010 Lane

(56)

References Cited

U.S. PATENT DOCUMENTS

D629,657 S	12/2010	Carreno	D695,138 S	12/2013	Ball
D629,689 S	12/2010	Cresswell et al.	D696,945 S	1/2014	Newman
D629,690 S	12/2010	Cresswell et al.	D697,404 S	1/2014	Johnson et al.
D629,691 S	12/2010	Cresswell et al.	D698,668 S	2/2014	Vaughn
D630,474 S	1/2011	Gilbert	D701,464 S	3/2014	Ogata et al.
D630,475 S	1/2011	Lu	D702,092 S	4/2014	Mettler et al.
D631,666 S	2/2011	Lim et al.	D702,506 S	4/2014	Mettler et al.
D632,522 S	2/2011	Wahl et al.	D708,954 S	7/2014	Barnes et al.
D633,338 S	3/2011	Rosbach et al.	D709,734 S	7/2014	Kotani
D633,794 S	3/2011	Cresswell et al.	D710,155 S	8/2014	Tatsukawa
D633,795 S	3/2011	Cresswell et al.	D712,254 S	9/2014	Geis et al.
D633,796 S	3/2011	Cresswell et al.	D712,255 S	9/2014	Geis et al.
D633,797 S	3/2011	Cresswell et al.	D713,268 S	9/2014	Jones et al.
D635,457 S	4/2011	Lane	D713,365 S	9/2014	Green
D635,856 S	4/2011	Lauret	D715,100 S	10/2014	Eyal
D638,695 S	5/2011	Woodrow et al.	D715,101 S	10/2014	Grcic
D638,708 S	5/2011	Walsh	D717,102 S	11/2014	Taketani et al.
D639,164 S	6/2011	Walsh	D717,115 S	11/2014	Lane et al.
D639,166 S	6/2011	Carreno	D719,788 S	12/2014	Soltz et al.
D639,661 S	6/2011	Llerena	D721,540 S	1/2015	Grcic
D639,663 S	6/2011	Llerena	D721,546 S	1/2015	Davidson
D641,591 S	7/2011	Tsukida	D724,385 S	3/2015	Hurley et al.
D643,245 S	8/2011	Minarsch	D725,968 S	4/2015	George
D644,060 S	8/2011	Komeiji	D727,688 S	4/2015	Hewitt et al.
D644,062 S	8/2011	Lorenz	D728,314 S	5/2015	Carstensen et al.
D647,753 S	11/2011	Lin	D728,315 S	5/2015	Bo
D651,847 S	1/2012	Gilbert	D728,995 S	5/2015	Barberi
D652,255 S	1/2012	Carland	D729,579 S	5/2015	Molayem
D652,682 S	1/2012	Eyal	D729,581 S	5/2015	Boroski
D654,762 S	2/2012	Gilbert	D729,584 S	5/2015	Weston et al.
D655,134 S	3/2012	Gilbert	9,027,774 B2	5/2015	Palmer
D655,570 S	3/2012	Meehan	D731,251 S	6/2015	Lane
D655,581 S	3/2012	Kotani	D732,337 S	6/2015	Coon et al.
D655,967 S	3/2012	Bodum	D732,347 S	6/2015	Katterheinrich et al.
D657,196 S	4/2012	Beyers, III	D732,402 S	6/2015	Jones et al.
D658,064 S	4/2012	Barnes et al.	D734,096 S	7/2015	George et al.
D658,445 S	5/2012	Carreno	D734,154 S	7/2015	Johnson et al.
D659,007 S	5/2012	Pape	D735,578 S	8/2015	Mazurkiewicz et al.
D660,084 S	5/2012	Gilbert	D741,655 S	10/2015	Whelan et al.
D660,655 S	5/2012	Wahl et al.	D743,742 S	11/2015	Rummel et al.
D662,360 S	6/2012	George	D744,781 S	12/2015	Rummel et al.
D663,169 S	7/2012	Beggins et al.	D747,199 S	1/2016	Phillips
8,215,511 B1	7/2012	Lin	D751,340 S	3/2016	Seiders et al.
D664,809 S	8/2012	Eyal	D751,341 S	3/2016	Seiders et al.
D665,621 S	8/2012	Eyal	D752,381 S	3/2016	Wahl
D666,052 S	8/2012	Trombly	D754,472 S	4/2016	Munari
D666,061 S	8/2012	Ying	D755,561 S	5/2016	Eyal
8,251,247 B1	8/2012	Breckner	D756,701 S	5/2016	Mettler et al.
D667,263 S	9/2012	Gilbert et al.	D758,859 S	6/2016	Sorensen et al.
D668,913 S	10/2012	Mayer	D760,080 S	6/2016	Gorbold
8,276,776 B2	10/2012	Roth et al.	D760,586 S	7/2016	Seiders et al.
D670,137 S	11/2012	Gilbert	D761,618 S	7/2016	Lapsker
D672,238 S	12/2012	Aziz et al.	D764,869 S	8/2016	Smrtnik et al.
D672,609 S	12/2012	Aziz et al.	D764,916 S	8/2016	Mount, III et al.
D674,663 S	1/2013	Cahen	D766,085 S	9/2016	Smith
D675,066 S	1/2013	Conlin et al.	D772,651 S	11/2016	Leonard et al.
D675,100 S	1/2013	Herbst	D774,363 S	12/2016	Seiders et al.
D676,764 S	2/2013	Moore et al.	D777,508 S	1/2017	Goodwin et al.
D677,119 S	3/2013	Ying	D779,872 S	2/2017	Bergstrom
D678,772 S	3/2013	Johnson et al.	D780,527 S	3/2017	Salama
D679,960 S	4/2013	Hopkins et al.	D780,577 S	3/2017	Seiders et al.
D680,387 S	4/2013	Hopkins et al.	D781,145 S	3/2017	Seiders et al.
D680,389 S	4/2013	Zemel et al.	D781,146 S	3/2017	Seiders et al.
D680,431 S	4/2013	Hopkins et al.	D782,881 S	4/2017	Seiders et al.
D682,625 S	5/2013	Lane	D783,367 S	4/2017	Seiders et al.
D682,626 S	5/2013	Lane	D783,368 S	4/2017	Seiders et al.
D684,059 S	6/2013	Johnson et al.	D786,023 S	5/2017	Polack et al.
D684,813 S	6/2013	Eyal	D786,671 S	5/2017	Khetarpaul et al.
D685,231 S	7/2013	Lane	D788,544 S	6/2017	Seiders et al.
D686,078 S	7/2013	Johnson et al.	D790,285 S	6/2017	Seiders et al.
D688,093 S	8/2013	Roth et al.	D794,397 S	8/2017	Seiders et al.
D691,416 S	10/2013	Eyal	D795,020 S	8/2017	Seiders et al.
D692,756 S	11/2013	McClellan et al.	D799,898 S	10/2017	Yao
D693,698 S	11/2013	Miller, Jr.	D799,907 S	10/2017	Seiders et al.
D694,112 S	11/2013	Brown	D801,753 S	11/2017	Piper et al.
			D803,005 S	11/2017	Lane
			D804,255 S	12/2017	Seiders et al.
			D804,256 S	12/2017	Seiders et al.
			D805,852 S	12/2017	Seiders et al.

(56)

References Cited

U.S. PATENT DOCUMENTS

D807,125	S	1/2018	Seiders et al.
D807,126	S	1/2018	Seiders et al.
D808,713	S	1/2018	Rane et al.
D808,731	S	1/2018	Boroski et al.
D808,732	S	1/2018	Boroski
D808,733	S	1/2018	Spivey et al.
D809,344	S	2/2018	Guthrie
2002/0046983	A1	4/2002	Shin et al.
2005/0153637	A1	7/2005	Janson
2008/0078787	A1	4/2008	Yelland
2010/0288782	A1	11/2010	Lin
2011/0114655	A1	5/2011	Bailey
2011/0186585	A1	8/2011	Lu
2012/0125931	A1	5/2012	Roth et al.
2012/0305571	A1	12/2012	Larsen
2014/0251938	A1	9/2014	Rose et al.
2014/0353275	A1	12/2014	Hung
2015/0232232	A1	8/2015	Shibuki et al.
2017/0119212	A1	5/2017	Petrillo et al.

FOREIGN PATENT DOCUMENTS

CN	301110494		1/2010
CN	301505688	S	4/2011
CN	301521416	S	4/2011
CN	302017249	S	8/2012
CN	302104832	S	10/2012
CN	302108284	S	10/2012
CN	302451634	S	6/2013
CN	302464396	S	6/2013
CN	302473883	S	6/2013
CN	302576249	S	9/2013
CN	301801861	S	1/2014
CN	302786576	S	4/2014
CN	203987709	U	12/2014
CN	303187472	S	4/2015
CN	303344737	S	8/2015
CN	303374336	S	9/2015
CN	303516989	S	12/2015
CN	303528321		12/2015
CN	303528321	S	12/2015
CN	303576353	S	2/2016
CN	303905254		11/2016
CN	304274218	S	9/2017
DE	29707837	U1	7/1997
EP	2567909	A1	3/2013
FR	993552	A	11/1951
GB	678830	A	9/1952
JP	D1446118		7/2012
JP	2014210613	A	11/2014
JP	1530358	S	8/2015
KR	300303813.0000		8/2002
KR	300751936.0000		7/2014
KR	300764889.0000		10/2014
KR	300888536.0000		1/2017
WO	D079491-0001		11/2012
WO	D088688-002		1/2016

OTHER PUBLICATIONS

United States International Trade Commission, “Respondents Alibaba, Dunhuang Group, and Bonanza.com’s Notice of Prior Art,” In the Matter of: Certain Insulated Beverage Containers, Components, Labels, and Packaging Materials Thereof, Inv. No. 337-TA-1084, filed Feb. 9, 2018, 8 pages.

United States International Trade Commission, “Respondent Contextlogic, Inc.’s Notice of Prior Art,” In the Matter of: Certain Insulated Beverage Containers, Components, Labels, and Packaging Materials Thereof, Inv. No. 337-TA-1084, filed Feb. 9, 2018, 15 pages.

United States International Trade Commission, “The Commission Investigative Staff’s Notice of Prior Art” In the Matter of: Certain

Insulated Beverage Containers, Components, Labels, and Packaging Materials Thereof, Inv. No. 337-TA-1084, filed Feb. 9, 2018, 4 pages.

“64 oz Double-Wall Vacuum-Insulated Growler” published on Nov. 14, 2014, retrieved from https://web.archive.org/web/*/http://www.fiftyfiftybottles.com/64oz-growler/ on Sep. 22, 2016.

“Hydro Flask Insulated Stainless Steel Water Bottle” published on Dec. 29, 2014, retrieved from http://web.archive.org/web/*/https://www.amazon.com/dp/B004X55L9I/ref=twister_B00GA03LG4?_encoding=UTF8&psc=1 on Sep. 22, 2016.

“Eco Vessel 64 ounce Growler” published on Jan. 28, 2015, retrieved from http://web.archive.org/web/*/http://www.snewsnet.com/press-release/eco-vessel-launches-the-boss-insulated-growler/ on Sep. 22, 2016.

“Classic Vacuum Bottle—1.1 qt,” published on Feb. 22, 2015, retrieved from http://www.amazon.com/Stanley-Classic-VACUUM-Bottle-1-1qt/dp/images/B004E7NY3U/ref=dp_image_1_0?ie=UTF8&s=sporing-goods&img=color_name=1.

“UA Beyond 18 oz. Vacuum Insulated Water Bottle” published on Mar. 29, 2015, retrieved from http://web.archive.org/web/*/https://www.underarmour.com/en-us/beyond-18-oz-vacuum-insulated-ss-bottle-with-flip-top-lid/pid1232014 on Sep. 22, 2016.

“KB8 20 oz. Double Wall Stainless Bottle,” published on May 22, 2015, retrieved from <https://web.archive.org/web/20150807054814/http://thermo-steel.com/work/keen-kb8> on Sep. 27, 2016.

“2015 Boulder Insulated Water Bottle with Tea, Fruit, Ice Strainer” published on Jun. 28, 2015, retrieved from http://web.archive.org/web/*/http://www.ecovessel.com/boulder-insulated-water-bottle-with-tea-fruit-ice-strainer-20-oz/ on Sep. 22.

“Klean Kanteen Insulated Classic with Polypropylene” published on Jul. 7, 2015, retrieved from http://web.archive.org/web/*/https://www.lifewithoutplastic.com/store/klean-kanteen-insulated-classic-with-polypropylene-loop-cap-0-95-l-32-oz.html on Sep. 22, 2016.

KOLD Vacuum Insulated Stainless Steel Sports Bottle: Announced Dec. 8, 2015 [online], site visited [May 11, 2016]. Available from Internet URL: <http://www.amazon.com/KOLD-Sports-Water-Bottles-Insulated/dp/B018YH K79E/ref=cm>.

Yeti 36 oz. Rambler: Announced Jan. 11, 2016 [online], site visited [May 10, 2016]. Available from Internet URL: <http://yeticoolers.com/rambler-bottle-36-oz/>.

United States District Court Western District of Texas Austin Division, “Complaint for Damages and Injunctive Relief,” *Yeti Coolers, LLC v. RTIC Coolers, LLC, RTIC Drinkware, LLC and RTIC Web Services, LLC*, Case: 1:16-cv-00985, Document #1, filed Aug. 18, 2016, 27 pages.

English translation of Office Action dated Sep. 6, 2016 for JP Application No. 2016-9603, 4 pages.

English translation of Office Action dated Sep. 6, 2016 for JP Application No. 2016-9604, 3 pages.

United States District Court Western District of Texas Austin Division, “Defendants’ Motion to Dismiss Pursuant to Rule 12(b)(6),” *Yeti Coolers, LLC v. RTIC Coolers, LLC, RTIC Drinkware, LLC and RTIC Web Services, LLC*, Case: 1:16-cv-00985. Document 9, filed Sep. 23, 2016, 27 pages.

English translation of Office Action dated Oct. 4, 2016 for JP Application No. 2016-9607, 2 pages.

English translation of Office Action dated Oct. 4, 2016 for JP Application No. 2016-9608, 2 pages.

United States District Court Western District of Texas Austin Division, “Plaintiffs’ First Amended Complaint,” *Yeti Coolers, LLC v. RTIC Coolers, LLC, RTIC Drinkware, LLC, and RTIC Web Services, LLC*, Case 1:16-cv-00985-RP, Document 15, filed Oct. 14, 2016, 26 pages.

United States District Court Western District of Texas Austin Division, “Defendants’ Notice of Responsive Pleading to Plaintiff’s First Amended Complaint,” *Yeti Coolers, LLC v. RTIC Coolers, LLC, RTIC Drinkware, LLC, and RTIC Web Services, LLC*, Case 1:16-cv-00985-RP, Document 23, filed Oct. 26, 2016, 4 pages.

English translation of Office Action dated Nov. 1, 2016 for JP Application No. 2016-9605, 2 pages.

English translation of Office Action dated Nov. 1, 2016 for JP Application No. 2016-9606, 2 pages.

(56)

References Cited

OTHER PUBLICATIONS

United States District Court Western District of Texas Austin Division, "Plaintiff Yeti Coolers, LLC's Original Complaint," *YETI Coolers, LLC v. Ontel Products Corporation and World Pack USA, LLC*, Case: 1:17-cv-00091-RP, Document #1, filed Feb. 8, 2017, 65 pages.

United States District Court Western District of Texas Austin Division, "Defendants' Answers and Defenses to Plaintiff's Original Complaint," *Yeti Coolers, LLC v. Ontel Products Corporation and World Pack USA, LLC*, Case: 1:17-cv-00091-RP, Document #14, filed Mar. 21, 2017, 45 pages.

English Translation of Office Action dated Apr. 4, 2017 for JP Application No. 2016-9605, 11 pages.

English Translation of Office Action dated Apr. 4, 2017 for JP Application No. 2016-9606, 10 pages.

United States District Court Western District of Texas Austin Division, "Plaintiffs' Complaint for Damages and Injunctive Relief," *Yeti Coolers, LLC v. Houssam Rabi d/b/a Hoo-Sizzy*, Case 1:17-cv-00418, Document 1, filed May 5, 2017, 84 pages.

United States District Court Western District of Texas Austin Division, "Plaintiffs' Complaint for Damages and Injunctive Relief," *Yeti Coolers, LLC v. Seth Stevens d/b/a SDS Marketing d/b/a Eskimo Coolers, Panther Group LLC d/b/a Eskimo Coolers, Panther Group Sales, LLC d/b/a Eskimo Coolers, and Silver Fox Sales, LLC*, Case 1:17-cv-00423, Document 1, filed May 5, 2017, 283 pages.

United States District Court Western District of Texas Austin Division, "Second Amended Complaint," *Yeti Coolers, LLC v. Sam's West, Inc., and Sam's East, Inc., and CY Top, Ltd.*, Case: 1:16-cv-00829-RP, Document #51, filed Sep. 22, 2017, 49 pages.

United States District Court Western District of Texas Austin Division, "Complaint," *Yeti Coolers, LLC v. Costco Wholesale Corporation*, Case: 1:17-cv-07025, Document #1, filed Sep. 28, 2017, 99 pages.

United States District Court Western District of Texas Austin Division, "Complaint," *Yeti Coolers, LLC v. Alibaba Group Holding Limited, Alibaba (China) Technology Co., Ltd., Alibaba.com Hong Kong Limited, Alibaba.com Singapore E-Commerce Private Limited, Hangzhou Alibaba Advertising Co. Ltd., and Huizhou Dashu Trading Co., Ltd.*, Case: 1:17-cv-00936, Document #1, filed Sep. 28, 2017, 272 pages.

United States District Court Western District of Texas Austin Division, "Complaint," *Yeti Coolers, LLC v. ContextLogic, Inc. d/b/a Wish.com*, Case: 1:17-cv-00937, Document #1, filed Sep. 28, 2017, 238 pages.

United States District Court Western District of Texas Austin Division, "Complaint," *Yeti Coolers, LLC v. Dunhuang Group, SZ Flowerfairy Technology Co., Ltd., Tan Er Pa Technology Co., Ltd., Shenzhen Great Electronic Technology Co., Ltd., and Huagong Trading Co.*, Case: 1:17-cv-00938, Document #1, filed Sep. 28, 2017, 272 pages.

United States International Trade Commission of Washington, DC, "Complaint Under Section 337 of the Tariff Act of 1930, as Amended," *Yeti Coolers, LLC vs. Alibaba (China) Technology Co., Ltd., Alibaba Group Holding Limited, Alibaba.com Hong Kong Limited, Alibaba.com Singapore E-Commerce Private Limited, Bonanza.com, Inc., ContextLogic, Inc. d/b/a Wish, Dunhuang Group, Hangzhou Alibaba Advertising Co. Ltd., Huizhou Dashu Trading Co., Ltd., Huagong Trading Co., and Tan Er Pa Technology Co., Ltd.*, filed Sep. 28, 2017, 191 pages.

United States District Court Western District of Texas Austin Division, "Complaint," *Yeti Coolers, LLC v. SF Associates, Inc.*, Case: 1:17-cv-01070, Document #1, filed Nov. 10, 2017, 39 pages.

United States International Trade Commission Washington, DC, Respondents Alibaba, Dunhuang Group, and Bonanza.com's "Notice of Prior Art", Inv No. 33-TA-1084 dated Feb. 9, 2018, 8 pages.

Sep. 26, 2018 (US)—Non-Final Office Action—U.S. Appl. No. 15/804,759.

United States District Court Western District of Texas Austin Division, "Defendants' Answers and Defenses to Plaintiff's Original Complaint," *Yeti Coolers, LLC v. Ontel Products Corporation and World Pack USA, LLC*, Case: 1:17-cv-00091-RP, Document #14, filed Feb. 21, 2017, 45 pages.

Yeti Rambler. Jul. 19, 2016 [earliest online date], [site visited Apr. 7, 2017]. Available from internet, <URL: <http://yeti.com/rambler>>.

Amazon. Yeti Rambler Bottle Replacement Cap. Mar. 23, 2017 [earliest online date], [site visited Apr. 7, 2017]. Available from Internet, <URL: <https://www.amazon.com/YETI-Rambler-Bottle-Replacement-Cap/dp/B01MZ6QIMY>>.

Outdoor Pro Shop. Yeti Rambler Bottles. May 27, 2016 [earliest online date], [site visited Apr. 7, 2017]. Available from Internet, <URL: <https://www.outdoorproshop.com/Yeti-Rambler-Bottles-p/yeti-yrambl.htmOu>>.

"Review: Yeti Heavy-Duty Rambler Bottles". Found online Jun. 12, 2017 at gearjunkie.com. Page dated Apr. 1, 2016. Retrieved from <<https://gearjunkie.com/yeti-rambler-water-bottle-review>>.

"ETS Express: New Items in Stock". Found online Jun. 12, 2017 at twitter.com. Page dated Jan. 21, 2015. Retrieved from <<https://twitter.com/etsexpress/status/557997114589196288>>.

"Klean Kanteen Wide Mouth Water Bottle with Loop Cap". Found online Oct. 12, 2016 at amazon.com. Page dated Dec. 5, 2009. Retrieved from <https://www.amazon.com/Klean-Kanteen-Mouth-Water-Bottle/dp/B002VIZ61U/ref=cm_cr_arp_d_product_top?ie=UTF8>.

"Sketch-a-Day: Water Bottles". Found online Jun. 21, 2017 at sketch-a-day.com. Page dated Mar. 4, 2010. Retrieved from <<http://www.sketch-a-day.com/posts/sketch-a-day-95-water-bottles/>>.

"Bubba Brands Classic Insulated Travel Mug". Found online Mar. 9, 2017 at amazon.com. Page dated Sep. 30, 2010. Retrieved from https://www.amazon.com/Bubba-Brands-1953403-Classic-Insulated/dp/B01FB7IG8Y/ref=cm_cr_arp_d_product_top?ie=UTF8.

"Bubba HERO Bottle Replacement Lid". Found online Mar. 9, 2017 at amazon.com. Page dated Jan. 14, 2015. Retrieved from https://www.amazon.com/bubba-HERO-bottle-replacement-lid/dp/B00QQYDI44/ref=cm_cr_arp_d_product_top?ie=UTF8.

"Contigo Extreme Stainless Steel Travel Mug". Found online Mar. 9, 2017 at amazon.com. Page dated Sep. 13, 2016. Retrieved from https://www.amazon.com/Contigo-Extreme-Stainless-Insulated-Limited/dp/B01LZGBMKT/ref=pd_sim_79_3?encoding=UTF8&psc=&refRID=A4VHP8EG6AKH3BG73BMZ.

"Hydro Flask Wide Mouth Hydro Flip Lid". Found online Mar. 9, 2017 at amazon.com. Page dated Oct. 9, 2012. Retrieved from http://www.amazon.com/Hydro-Flask-Wide-Mouth-Black/dp/B01GW2H430/ref=cm_cr_arp_d_product_top?ie=UTF8.

Hydro Flask. Hydro Flip. 2015 [earliest online date]. [site visited Apr. 28, 2017]. Available from Internet, <URL: <https://www.hydroflask.com/hydro-flip#92=57>>.

Feb. 6, 2017—(WO) International Search Report and Written Opinion—PCT/US2016/059481.

Jul. 29, 2020—(CN) First Office Action—App. No. 2010680076021.9.

Feb. 3, 2021—(CN) Chinese Evaluation Report ZL201630163891.2.

Jan. 29, 2021 (CN) Chinese Evaluation Report 201630631438.X.

Jan. 29, 2021 (CN) Chinese Evaluation Report app No. 201630163888.0.

Jan. 29, 2021 (CN) Chinese Evaluation Report app No. 201630157703.5.

May 6, 2021—(CN) Second Office Action—App. No. 201680076021.9.

United States District Court Southern District of Texas, Houston Division, "Complaint", *Yeti Coolers, LLC v. Igloo Products Corporation*, Case 4:21-cv-03203, filed Oct. 1, 2021, 54 pages.

* cited by examiner

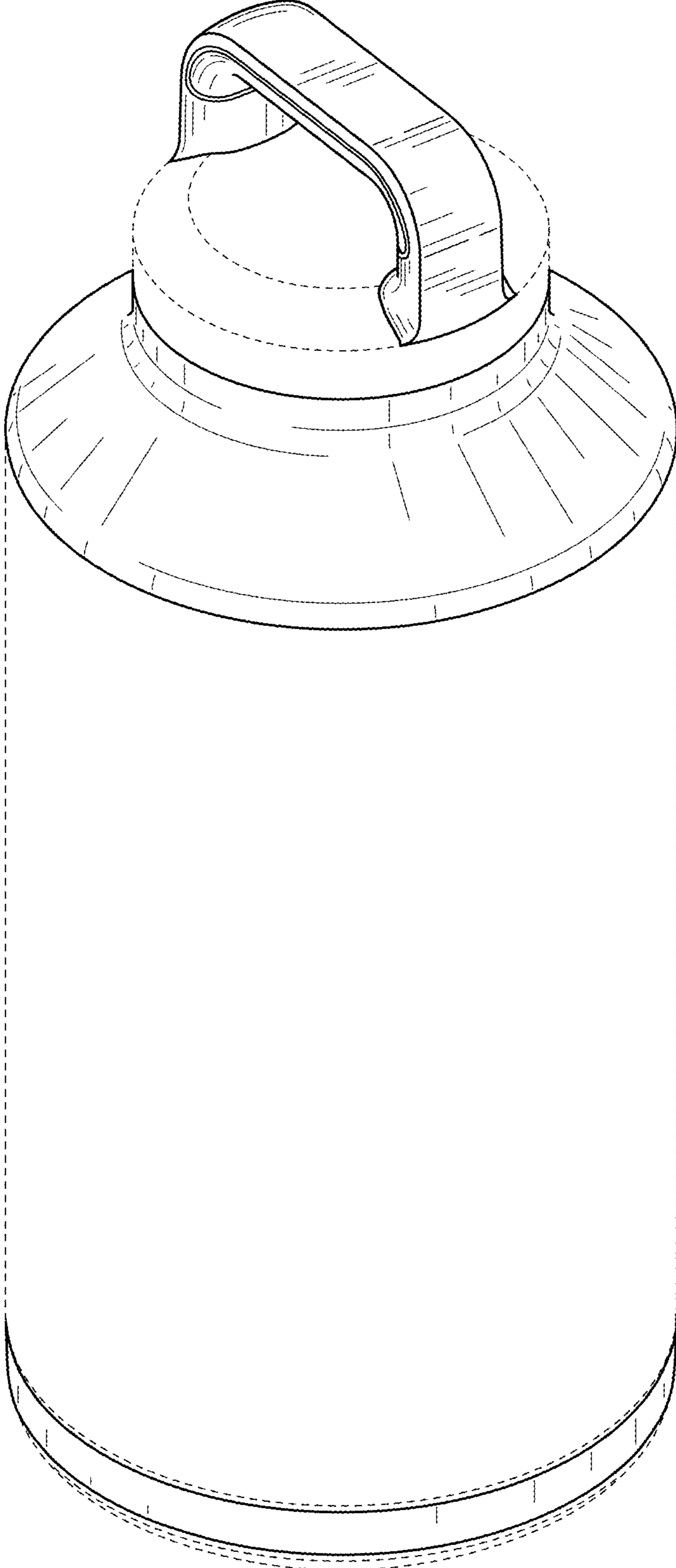


FIG. 1



FIG. 2

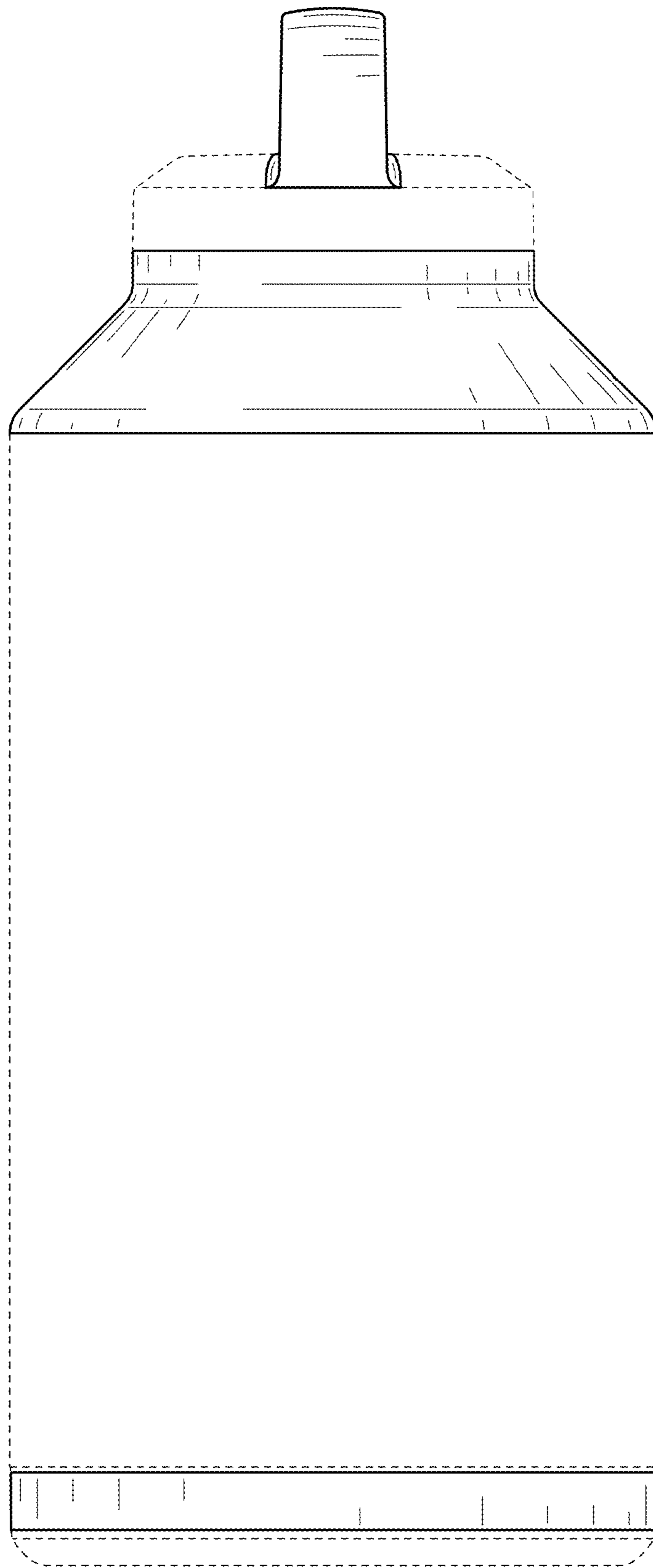


FIG. 3

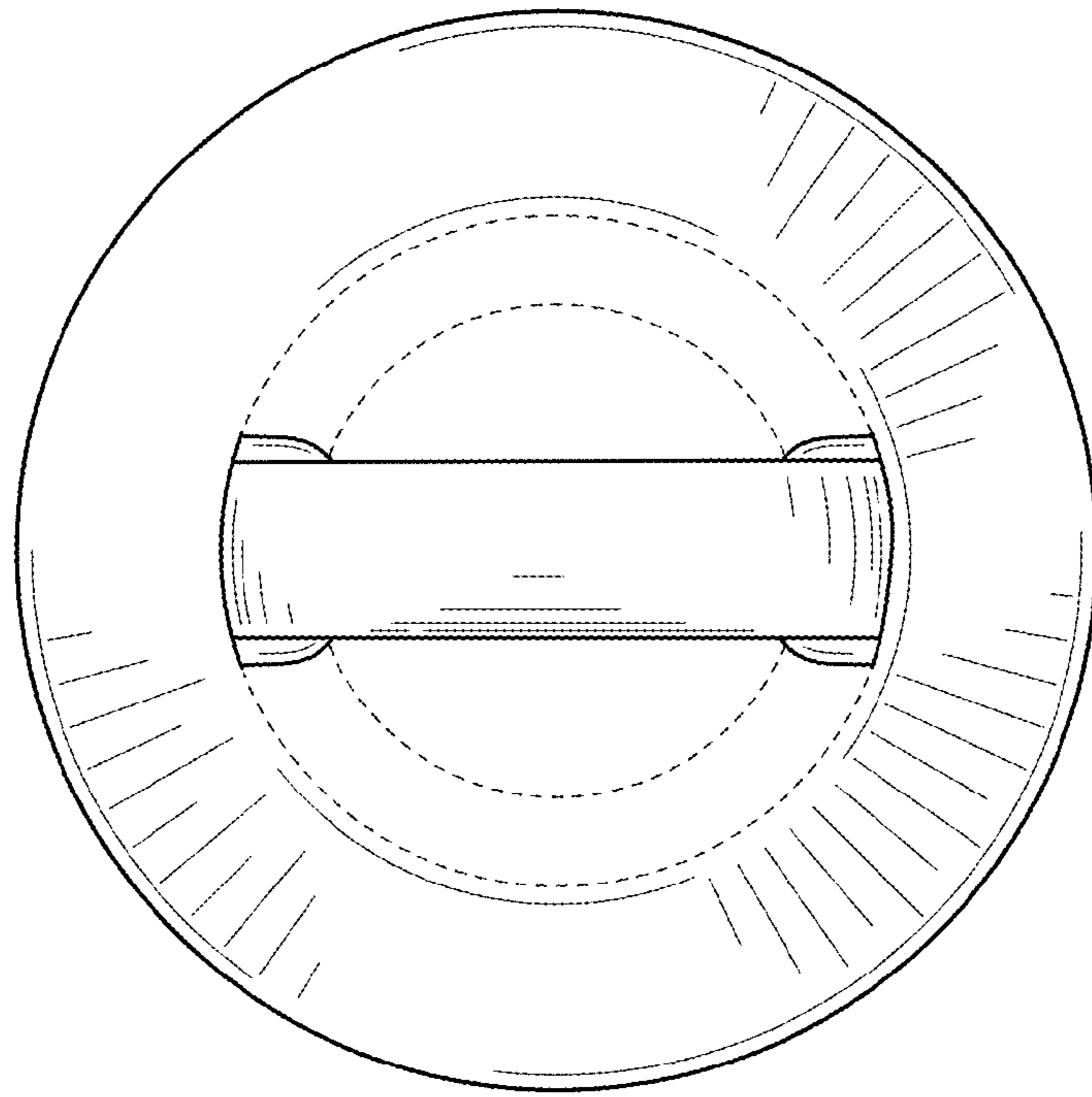


FIG. 4

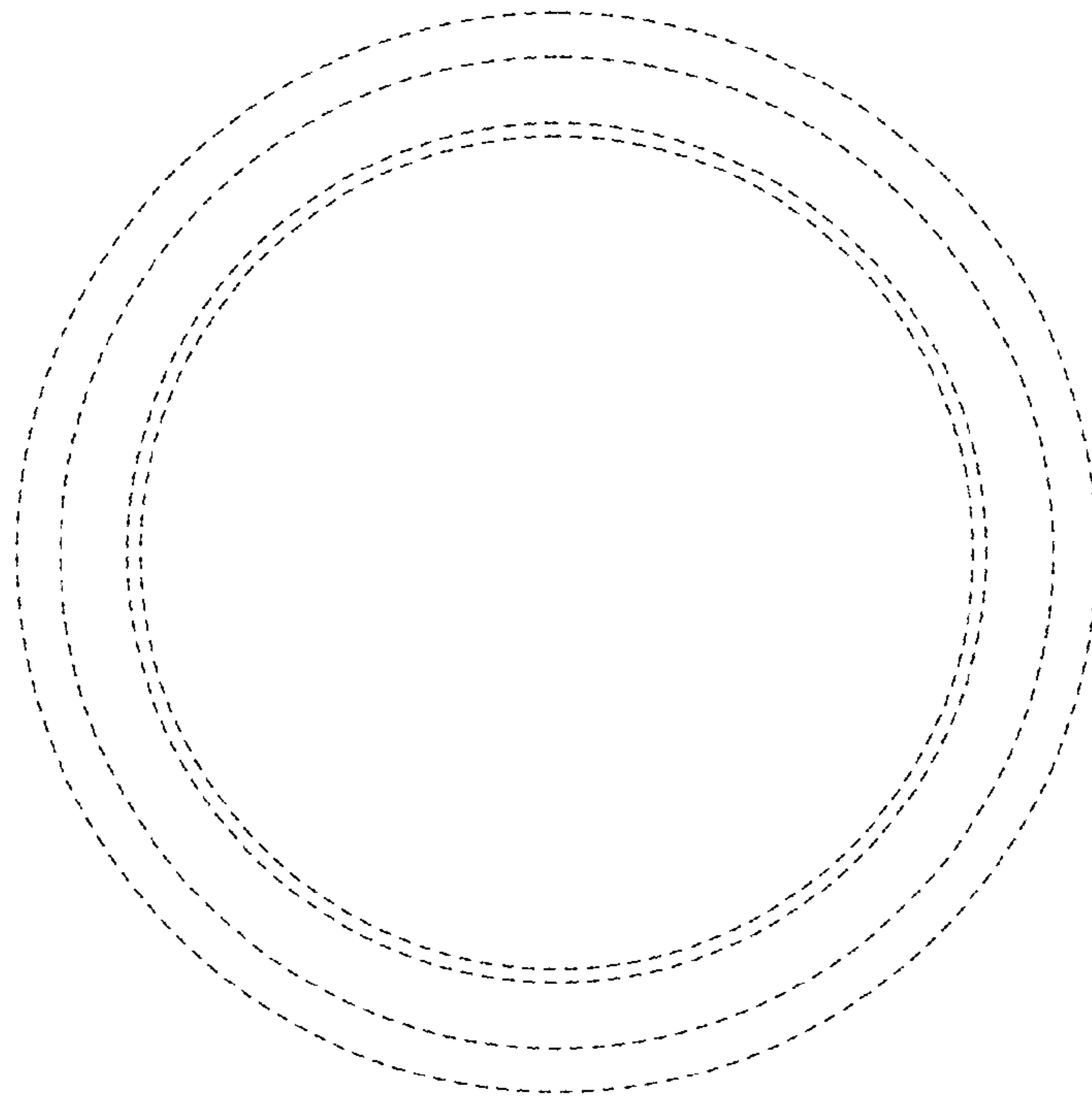


FIG. 5