



US00D943356S

(12) **United States Design Patent** (10) **Patent No.:** **US D943,356 S**
Lyu (45) **Date of Patent:** **** Feb. 15, 2022**

(54) **MUG**
(71) Applicant: **Haers HK Limited**, Hong Kong (CN)
(72) Inventor: **Lizhen Lyu**, Hong Kong (CN)
(73) Assignee: **Haers HK Limited**, Hong Kong (CN)
(**) Term: **15 Years**
(21) Appl. No.: **29/735,279**
(22) Filed: **May 20, 2020**
(51) **LOC (13) Cl.** **07-07**
(52) **U.S. Cl.**
USPC **D7/608**
(58) **Field of Classification Search**
USPC D7/300, 313, 316, 507, 509, 510, 511,
D7/602, 605, 608, 619, 622
CPC .. A47J 41/00; A47J 43/00; A47J 47/00; A47J
47/02; A47J 47/08; A47G 19/2205; A47G
23/16; A47G 19/2272; A47G 19/2288;
A47G 19/23; A45F 3/16; A45F
2200/0583; B65D 1/265; B65D 3/22;
B65D 81/3453; B65D 81/3865
See application file for complete search history.

(56) **References Cited**
U.S. PATENT DOCUMENTS
4,932,225 A * 6/1990 Bighouse A47J 41/0044
62/372
D370,153 S * 5/1996 Chaney D7/503
D425,374 S * 5/2000 Besser D7/608
D592,909 S * 5/2009 Alviar D7/510

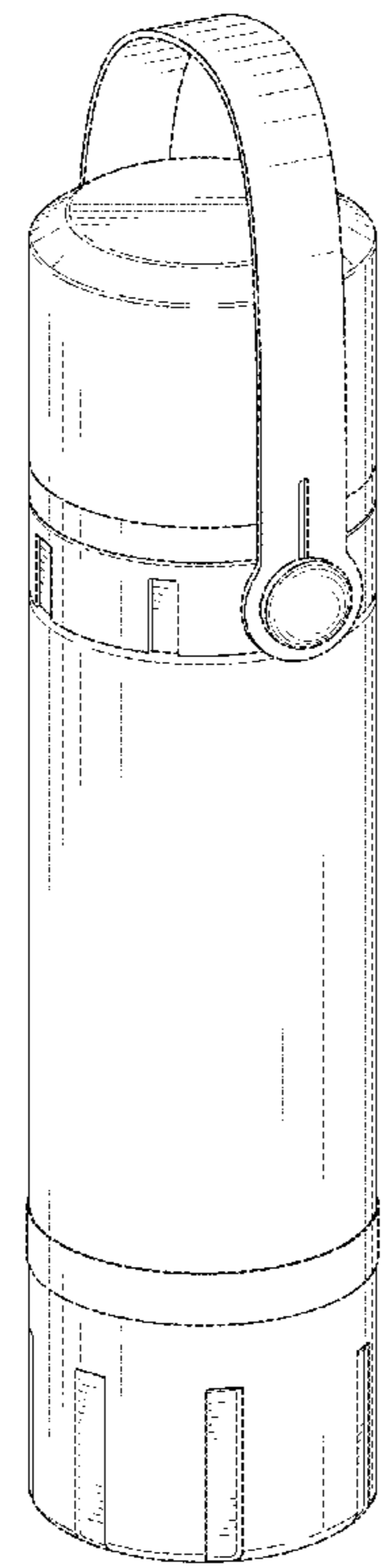
D599,168 S * 9/2009 Alviar D7/510
D652,682 S * 1/2012 Eyal D7/510
D655,134 S * 3/2012 Gilbert D7/510
D782,880 S * 4/2017 Matsuo D7/605
D830,783 S * 10/2018 Diener D7/608
D883,041 S * 5/2020 Park D7/608
D915,826 S * 4/2021 Ulla D7/507
D923,408 S * 6/2021 Hamilton D7/510
D925,993 S * 7/2021 Volkoff D7/608
D926,521 S * 8/2021 Gronkowski D7/510
D929,183 S * 8/2021 Wahl D7/511
D929,184 S * 8/2021 Wahl D7/511
D930,436 S * 9/2021 Paparao D7/510
D930,438 S * 9/2021 Zhang D7/511
D931,060 S * 9/2021 Volkoff D7/608

* cited by examiner
Primary Examiner — George D. Kirschbaum
Assistant Examiner — Darryl J Dardenne
(74) *Attorney, Agent, or Firm* — PROI Intellectual Property US

(57) **CLAIM**
The ornamental design for a mug, as shown and described.

DESCRIPTION
FIG. 1 is a perspective View of a mug;
FIG. 2 is a front View thereof;
FIG. 3 is a rear View thereof;
FIG. 4 is a left side View thereof;
FIG. 5 is a right side View thereof;
FIG. 6 is a top View thereof; and,
FIG. 7 is a bottom View thereof.

1 Claim, 7 Drawing Sheets



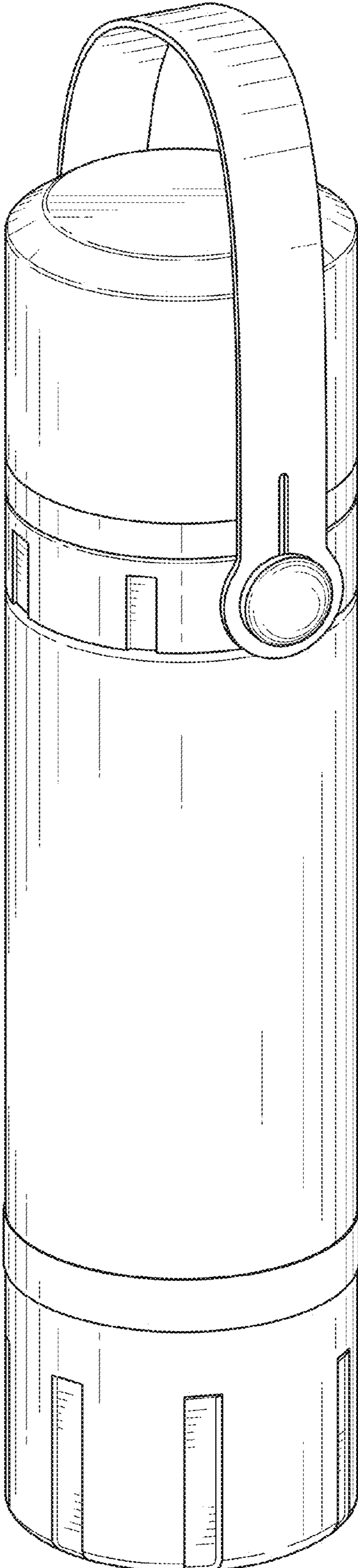


FIG. 1

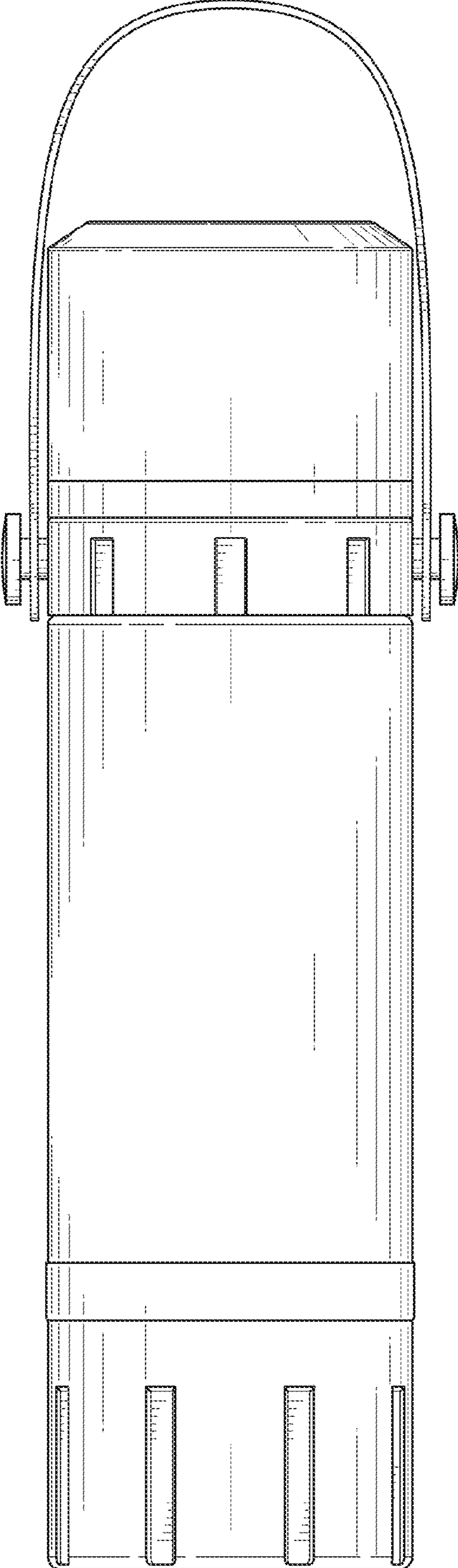


FIG. 2

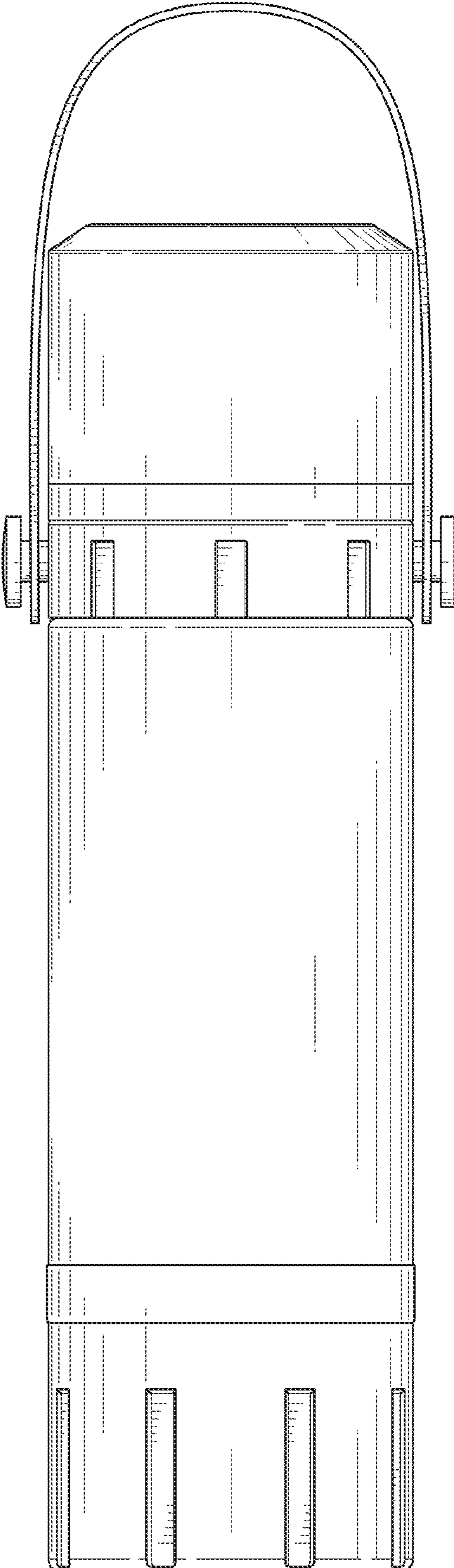


FIG. 3

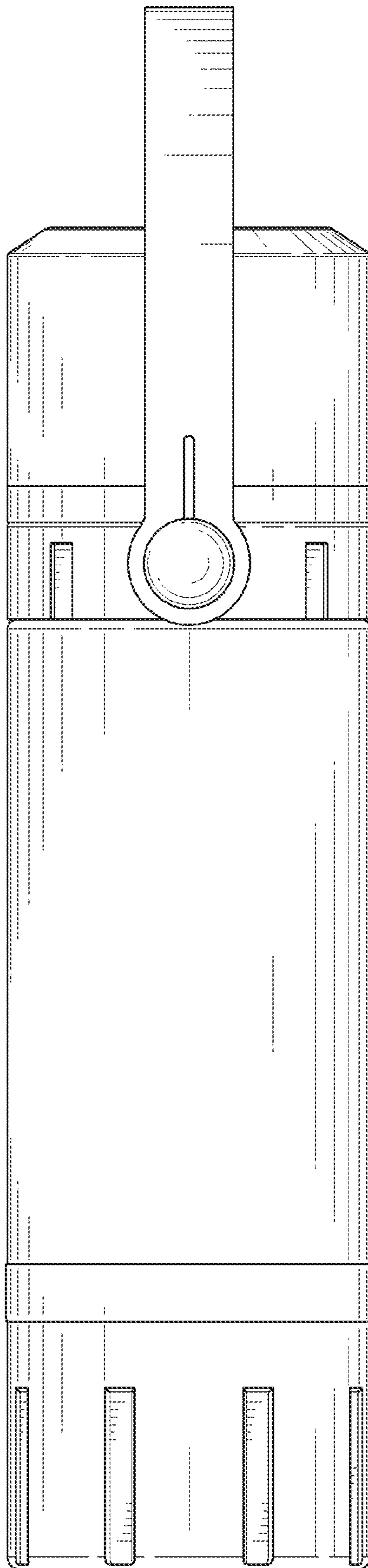


FIG. 4

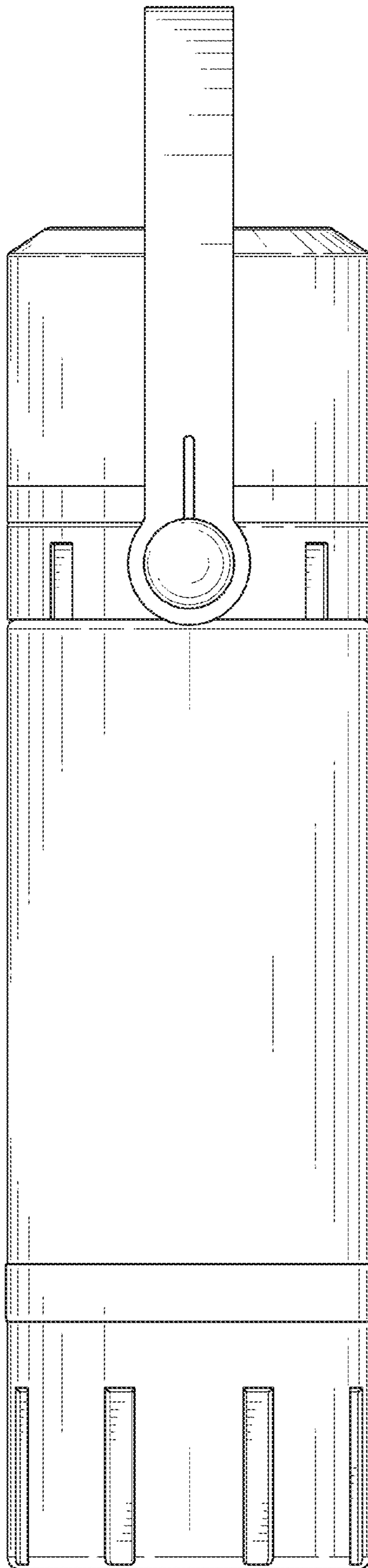


FIG. 5

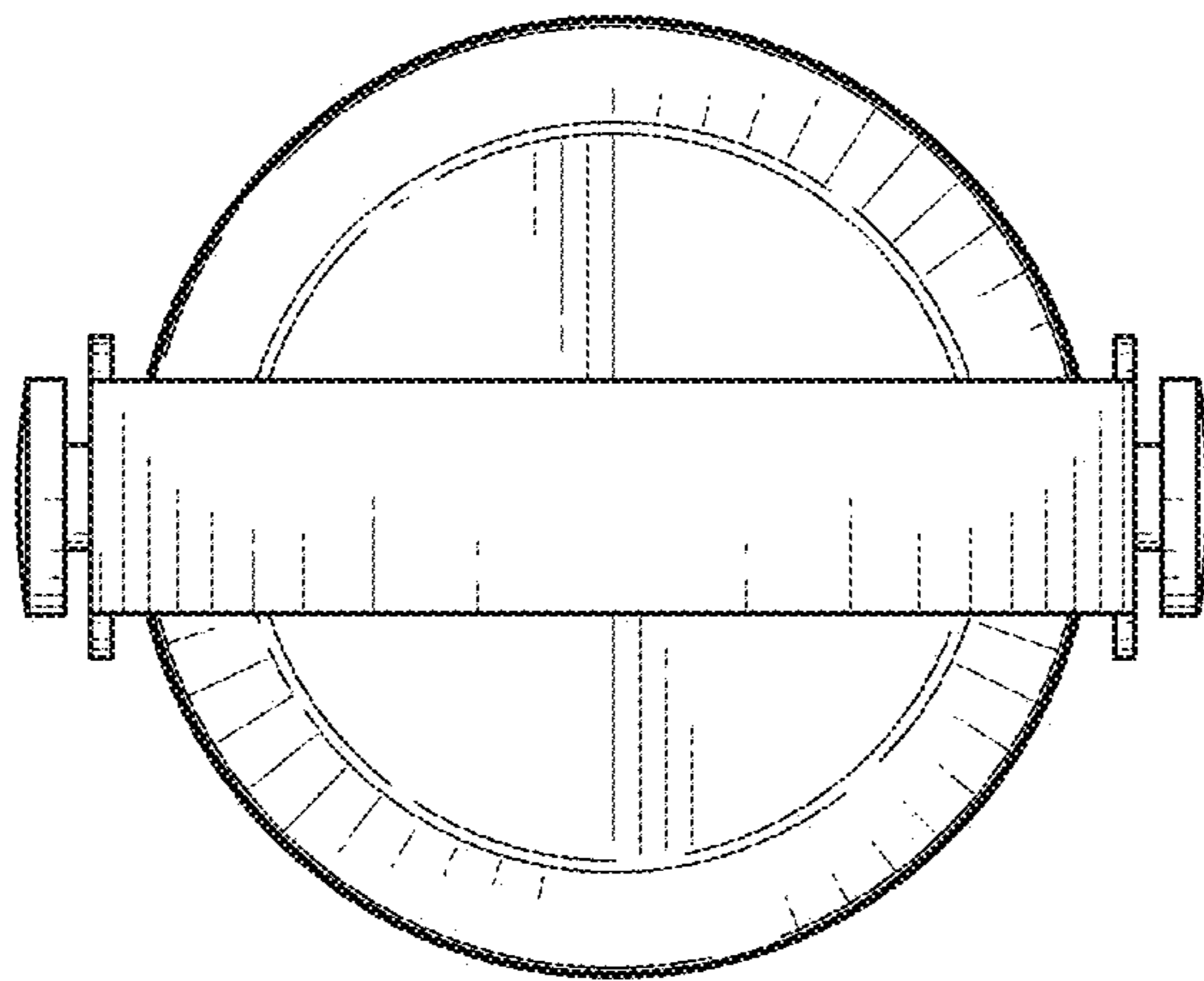


FIG. 6

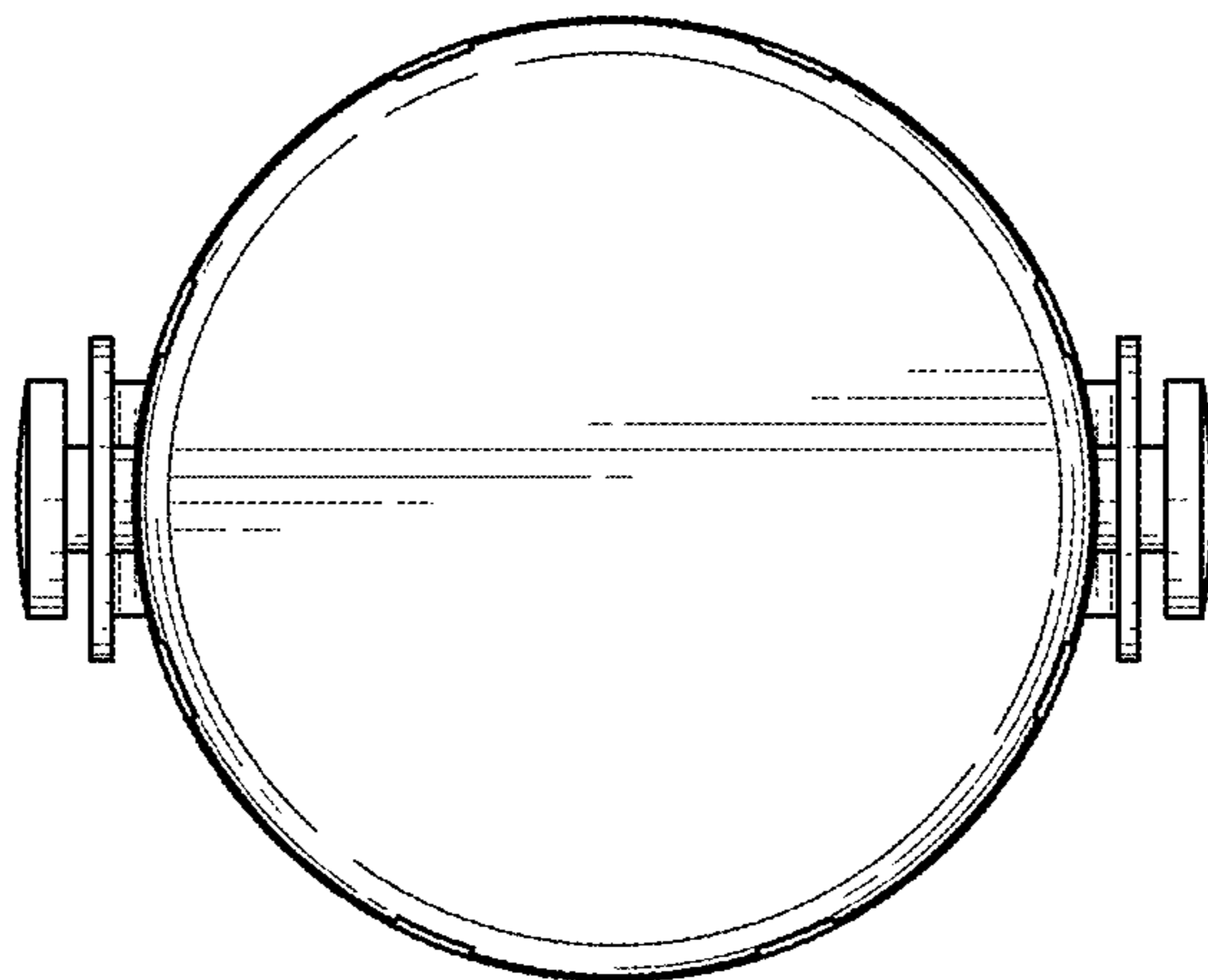


FIG. 7