



US00D943352S

(12) **United States Design Patent**  
**Liu**

(10) **Patent No.:** **US D943,352 S**

(45) **Date of Patent:** **\*\* Feb. 15, 2022**

(54) **VACUUM BOTTLE**

(71) Applicant: **Yang Liu**, Laohekou (CN)

(72) Inventor: **Yang Liu**, Laohekou (CN)

(\*\*) Term: **15 Years**

(21) Appl. No.: **29/776,408**

(22) Filed: **Mar. 30, 2021**

(51) **LOC (13) Cl.** ..... **07-01**

(52) **U.S. Cl.**

USPC ..... **D7/511; D7/532**

(58) **Field of Classification Search**

USPC ..... D7/507, 509, 510, 511, 529, 531, 532,  
D7/523, 392.1, 296.1, 396.2, 300.1, 608;  
D3/202; D9/449, 435, 436, 440, 450

CPC ..... A47G 19/22; A47G 19/2288; A47G  
19/2205; A47J 41/0077; A47J 41/0088

See application file for complete search history.

(56) **References Cited**

**U.S. PATENT DOCUMENTS**

D463,715 S	*	10/2002	Dretzka	.....	D7/523
D511,072 S	*	11/2005	Trombly	.....	D7/523
D550,033 S	*	9/2007	Bodum	.....	D7/509
D641,591 S		7/2011	Tsukida		
D650,633 S	*	12/2011	Birgers	.....	D7/510
D787,262 S		5/2017	Horimoto		
D823,062 S	*	7/2018	Goodwin	.....	D7/511
D845,064 S	*	4/2019	Mulhauser	.....	D7/392.1
D856,068 S	*	8/2019	Barber	.....	D7/392.1
D873,614 S	*	1/2020	Hotell	.....	D7/510
D876,173 S		2/2020	Kotani		

D882,339 S	*	4/2020	Pape	.....	D7/510
D888,500 S	*	6/2020	Glerum	.....	D7/532
D893,263 S	*	8/2020	Benishai	.....	D7/523
D904,827 S	*	12/2020	Stanton	.....	D7/510
D914,455 S	*	3/2021	Haskins	.....	D7/510
D917,232 S	*	4/2021	Kaiser	.....	D7/523
D929,801 S	*	9/2021	Henkel	.....	D7/392.1
D934,028 S	*	10/2021	Haskins	.....	D7/510

**OTHER PUBLICATIONS**

[https://www.amazon.com/dp/B07QN9K8LX/ref=sbl\\_dp\\_x\\_dining-wine-glasses\\_B07Y8JRQZ9\\_0](https://www.amazon.com/dp/B07QN9K8LX/ref=sbl_dp_x_dining-wine-glasses_B07Y8JRQZ9_0) Wine Tumbler (Year: 2019).\*

\* cited by examiner

*Primary Examiner* — Jae Liang

(74) *Attorney, Agent, or Firm* — Jinggao Li

(57) **CLAIM**

The ornamental design for vacuum bottle, as shown and described.

**DESCRIPTION**

FIG. 1 is a perspective view of a vacuum bottle showing my new design;

FIG. 2 is a front view thereof;

FIG. 3 is a rear view thereof;

FIG. 4 is a left side view thereof;

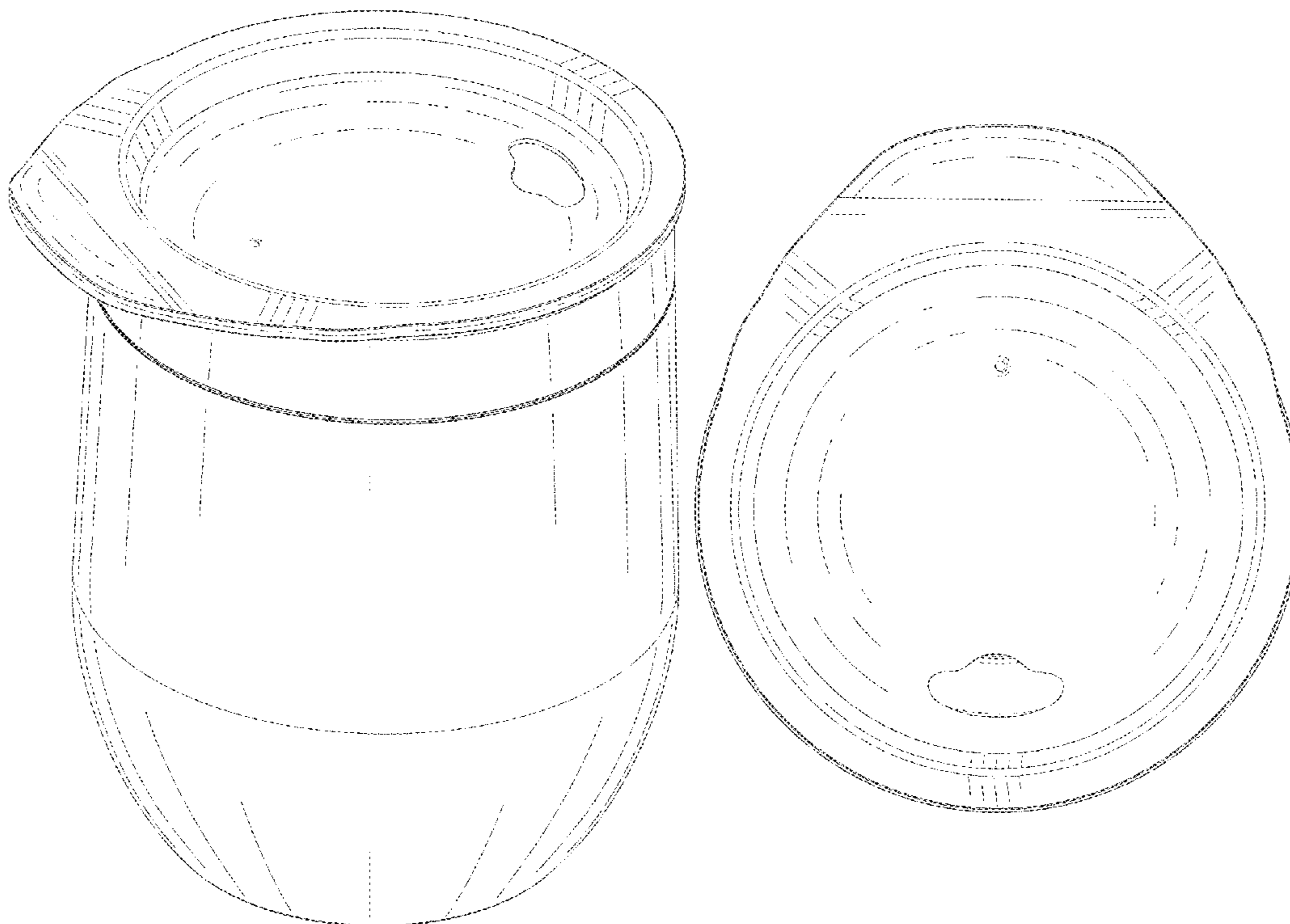
FIG. 5 is a right side view thereof;

FIG. 6 is a top plan view thereof; and,

FIG. 7 is a bottom plan view thereof.

The broken lines depict portions of the vacuum bottle and form no part of the claimed design.

**1 Claim, 7 Drawing Sheets**



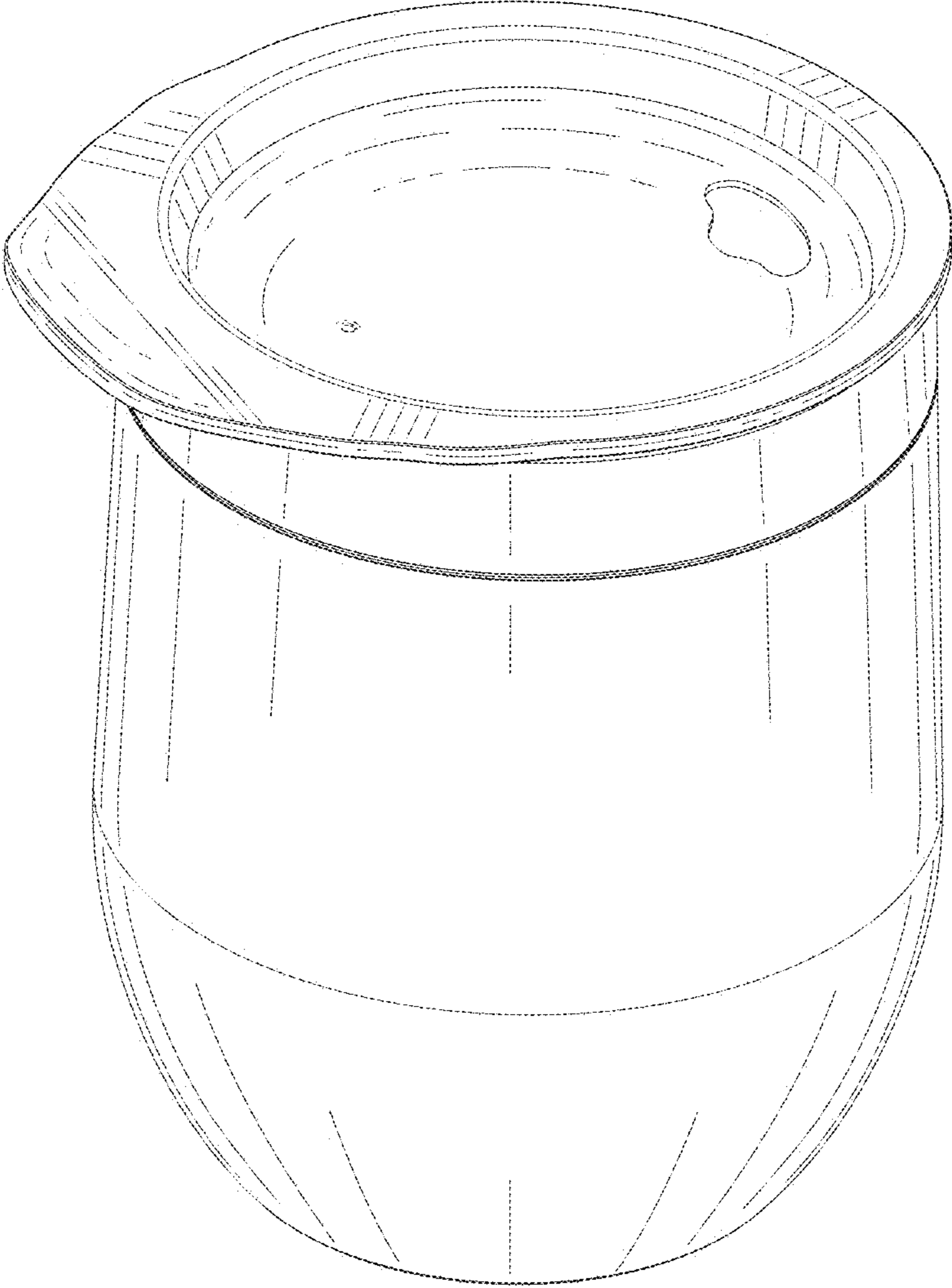


FIG. 1

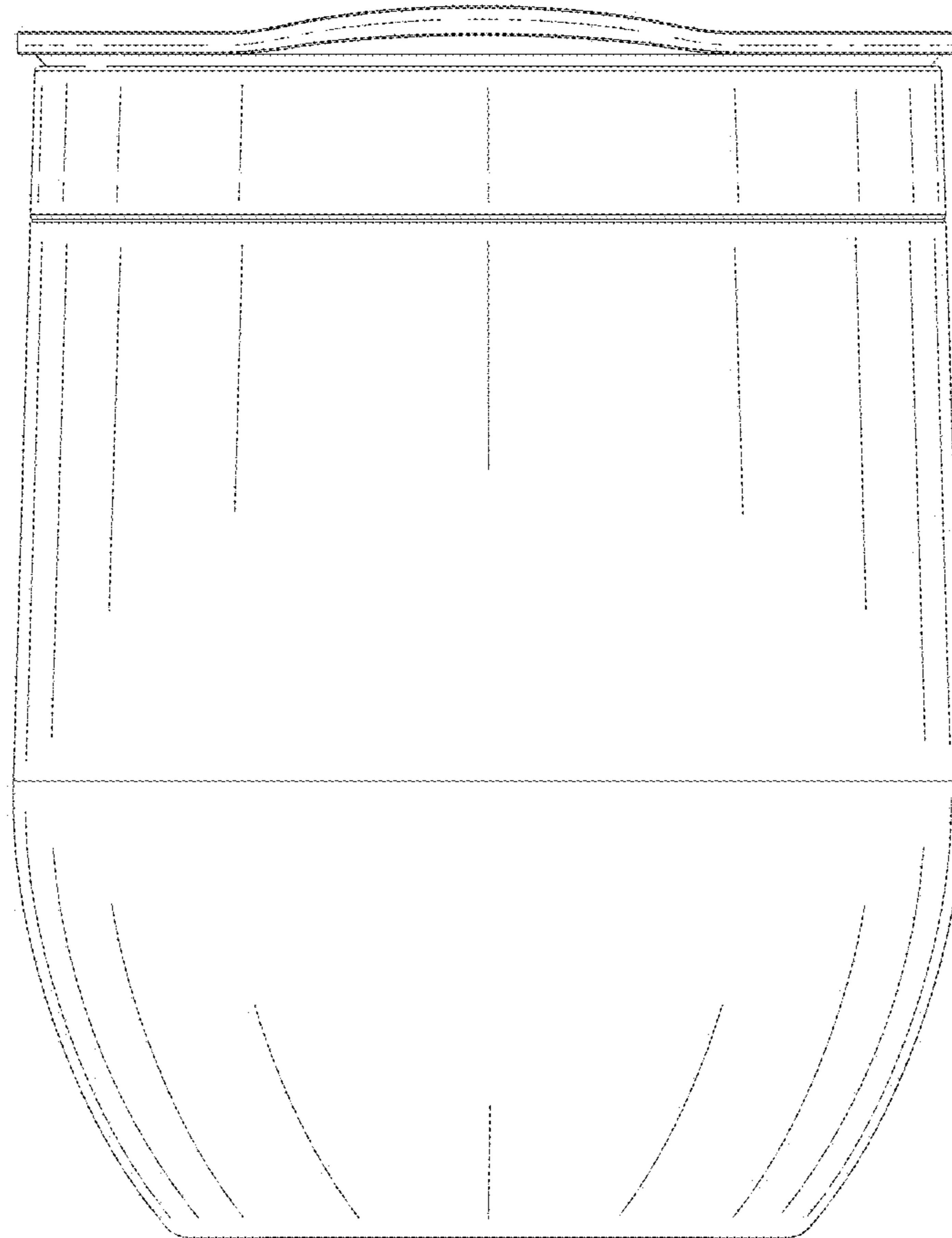


FIG. 2

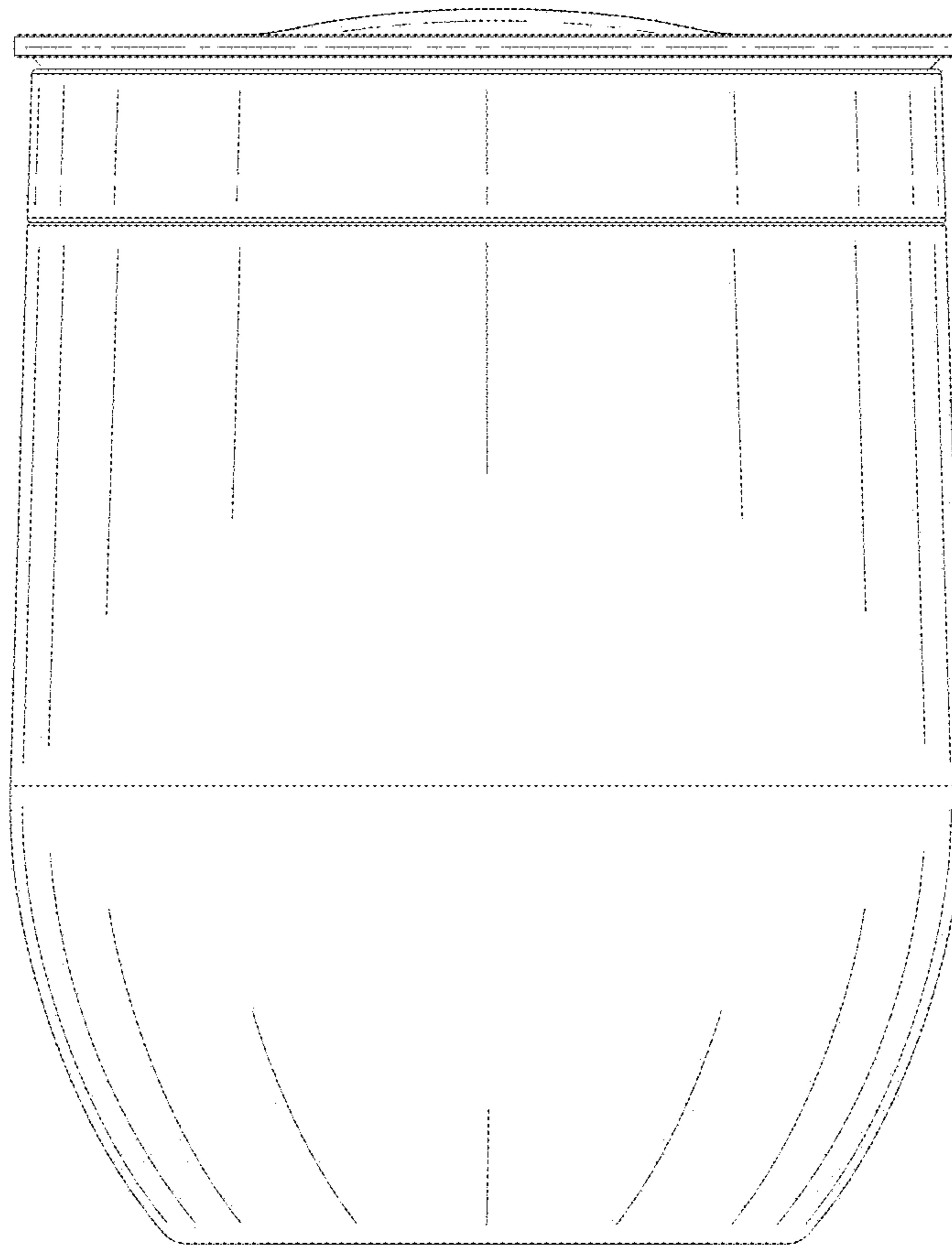


FIG. 3

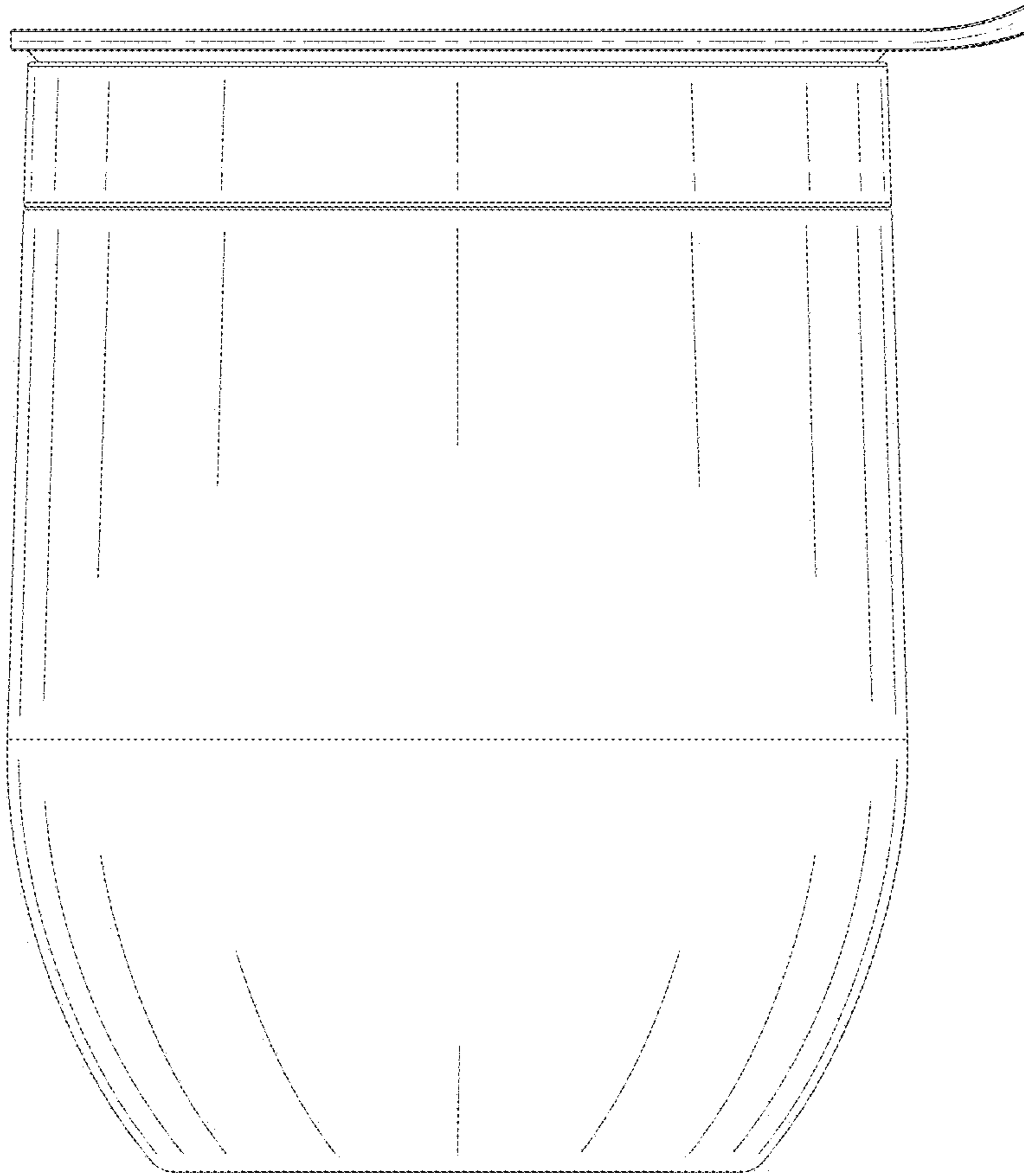


FIG. 4

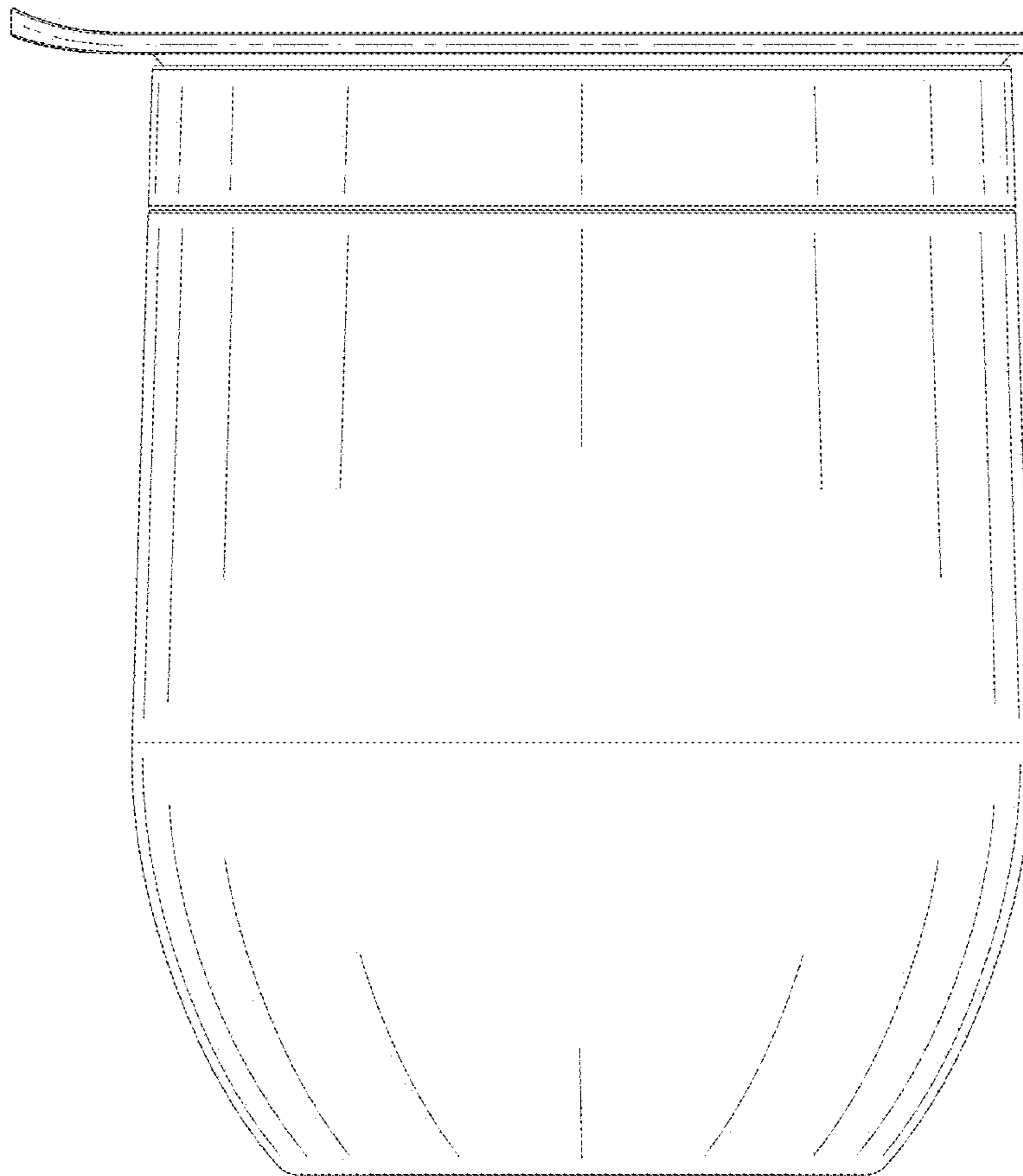


FIG. 5

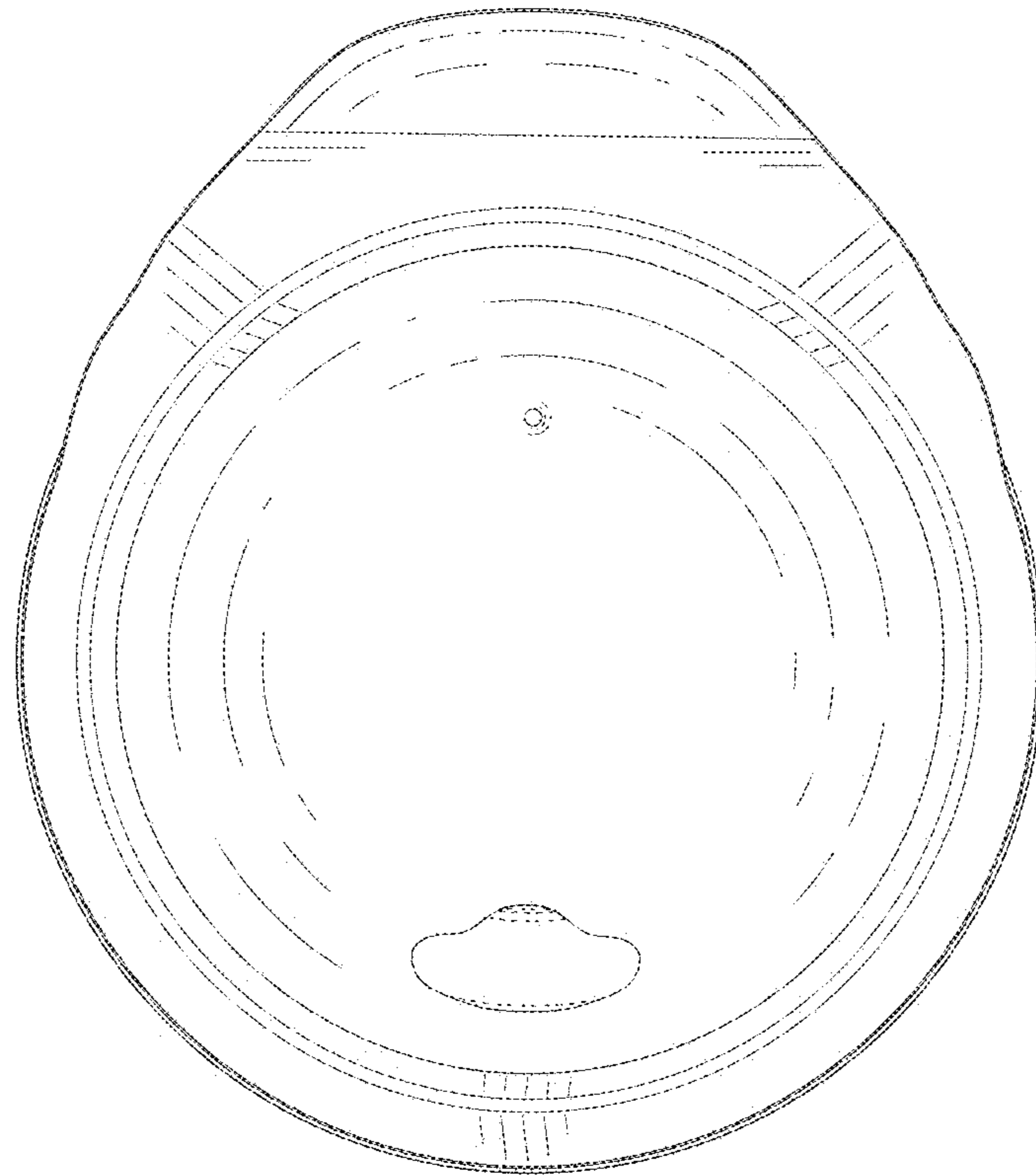


FIG. 6

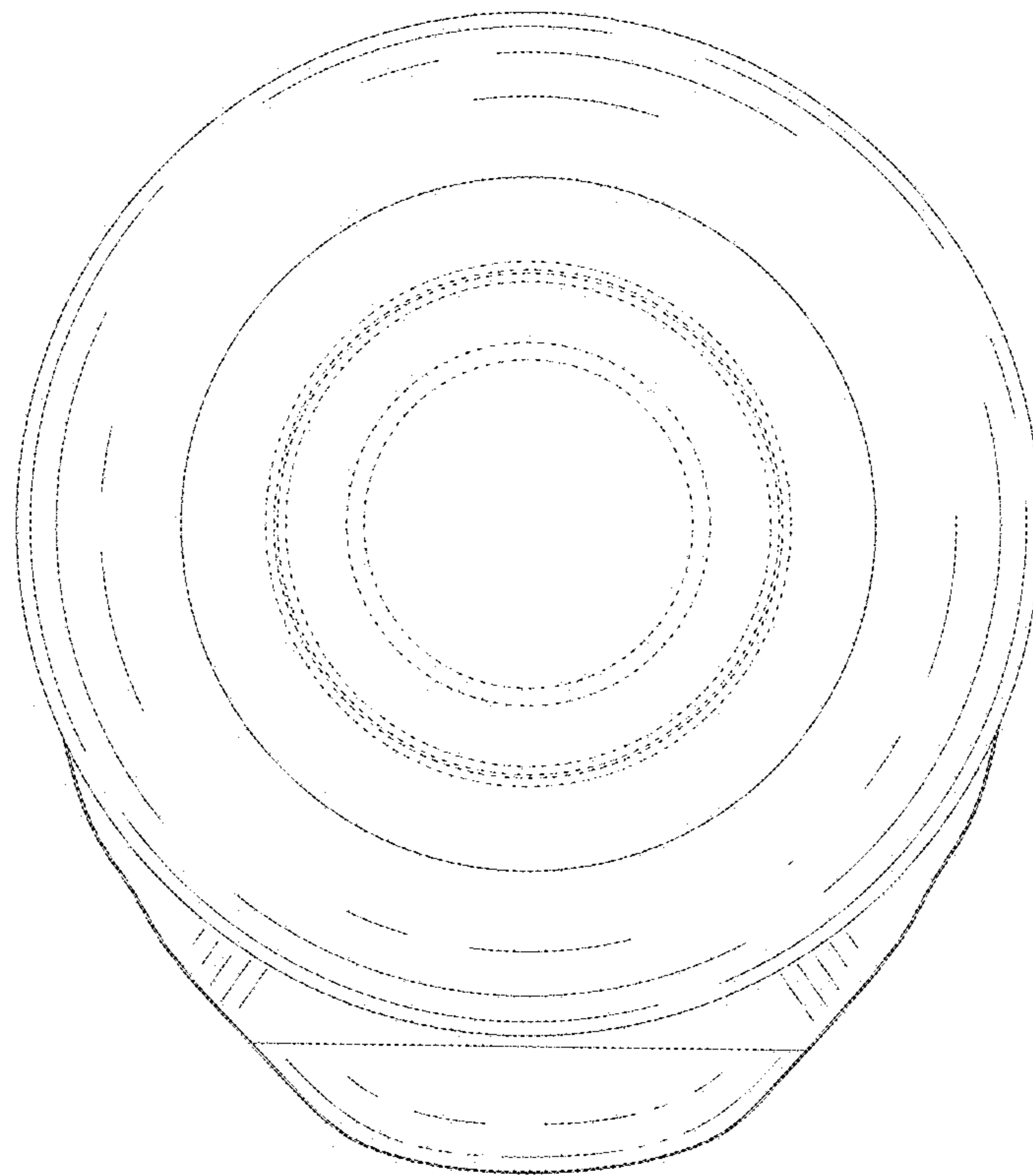


FIG. 7