



US00D943351S

(12) **United States Design Patent**  
**Miranda de Faria et al.**

(10) **Patent No.:** **US D943,351 S**  
(45) **Date of Patent:** **\*\* Feb. 15, 2022**

(54) **FLASK**

FOREIGN PATENT DOCUMENTS

(71) Applicant: **Natura Cosméticos S.A.**, São Paulo (BR)

CN 305181793 \* 5/2019  
EM 000840848-0002 \* 2/2008

(Continued)

(72) Inventors: **Márcio Miranda de Faria**, Cajamar (BR); **Thiago Milano de Oliveira**, Cajamar (BR); **Gideon Moreira Ferreira**, Cajamar (BR); **Josué Ferreira**, São Paulo (BR)

OTHER PUBLICATIONS

250 ml Classic Screw Top Wide Mouth Jar—Infinity Jars [online]  
URL: [https://infinityjars.com/products/250-ml-classic-screw-top-wide-mouth-jar?gclid=EALalQobChMl6fK4x4fA8glVRMqzCh0xTg2aEAsYAiABEGJqQPD\\_BwE](https://infinityjars.com/products/250-ml-classic-screw-top-wide-mouth-jar?gclid=EALalQobChMl6fK4x4fA8glVRMqzCh0xTg2aEAsYAiABEGJqQPD_BwE) (site visited: Aug. 2021) (Year: 2013).\*

(Continued)

(73) Assignee: **NATURA COSMÉTICOS S.A.**, São Paulo (BR)

(\*\*) Term: **15 Years**

*Primary Examiner* — Jae Liang

*Assistant Examiner* — Tia Ruth-Renee Polidori

(74) *Attorney, Agent, or Firm* — Alston & Bird LLP

(21) Appl. No.: **29/722,913**

(22) Filed: **Feb. 3, 2020**

(51) **LOC (13) Cl.** ..... **07-01**

(52) **U.S. Cl.**  
USPC ..... **D7/510; D7/509**

(58) **Field of Classification Search**  
USPC ..... D7/507, 509, 510, 511, 529, 531, 532, D7/523, 533, 534, 535, 536, 392.1, 396.1, D7/396.2, 300, 608, 300.1, 598, 599, 600, D7/515, 512; D9/500, 531, 516, 517, D9/549, 680; D22/112; D29/125, 126; 220/713, 715, 8; 102/486; D3/202; D26/9  
CPC ..... A47G 19/22; A47G 19/2288; A47G 19/2205; A47G 21/18; A47G 19/2211; A47G 19/2216; A47J 41/0077; A47J 41/0088; A47J 41/0055; A47J 41/0022;  
(Continued)

(57) **CLAIM**

We claim the ornamental design for a flask, as shown and described.

**DESCRIPTION**

FIG. 1 is a perspective view of a flask showing our new design;  
FIG. 2 is an exploded view thereof;  
FIG. 3 is a front elevation view thereof;  
FIG. 4 is a rear elevation view thereof;  
FIG. 5 is a left side elevation view thereof;  
FIG. 6 is a right side elevation view thereof;  
FIG. 7 is a top plan view thereof; and,  
FIG. 8 is a bottom plan view thereof.  
The even dash-dash lines in FIGS. 1-7 illustrate portions of the flask that form no part of the claimed design. The even dash-dash lines in FIG. 8 represent bounds of the claimed design which, and inside which, form no part of the claimed design.

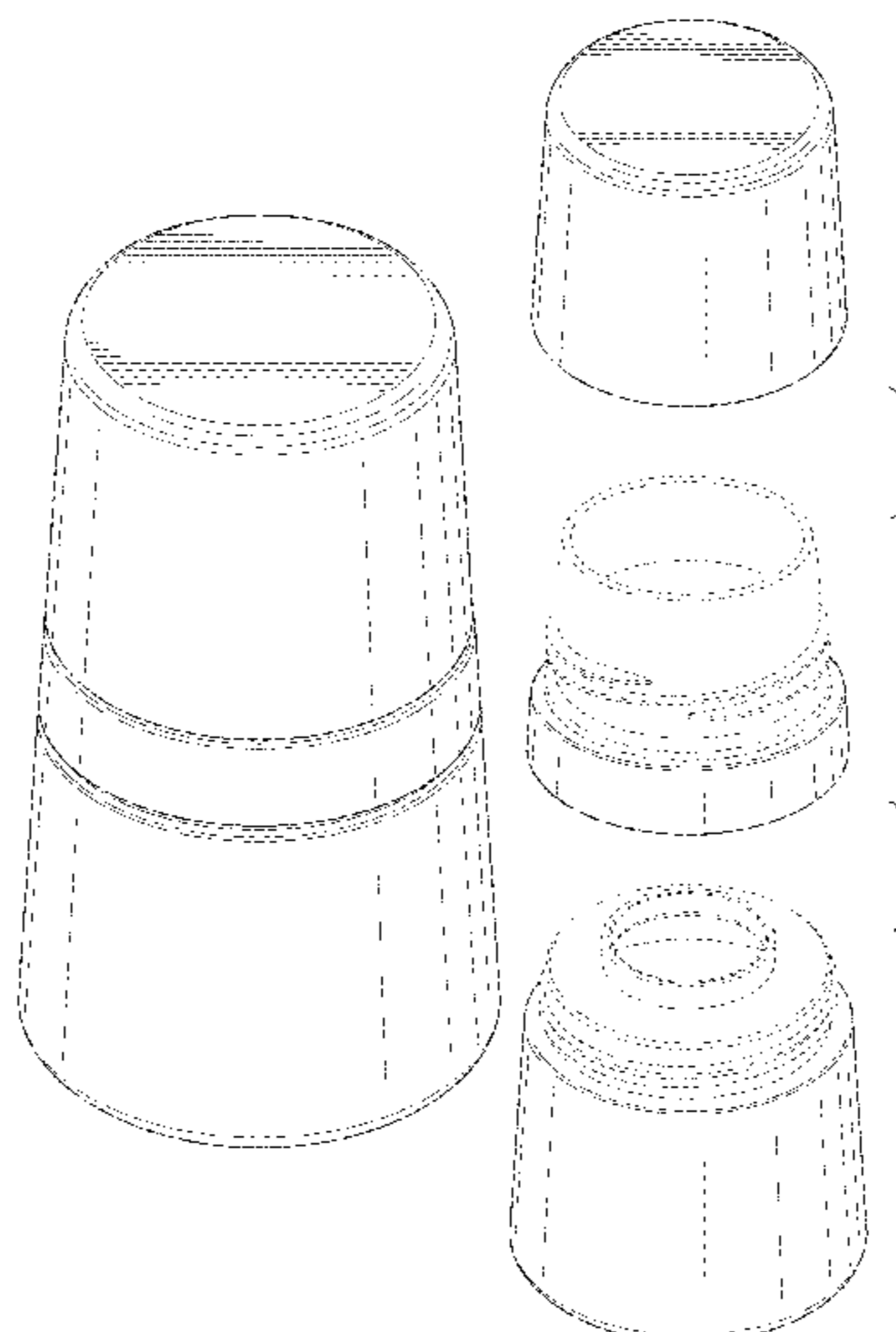
(56) **References Cited**

U.S. PATENT DOCUMENTS

118,768 A \* 9/1871 Wilson ..... B65D 21/086 220/8  
3,105,592 A \* 10/1963 Cohen ..... B65D 21/086 206/0.8

(Continued)

**1 Claim, 8 Drawing Sheets**



(58) **Field of Classification Search**  
 CPC ..... A47J 43/27; B65D 1/40; B65D 21/086;  
 B65D 1/265; A45F 2003/205  
 See application file for complete search history.

(56) **References Cited**

U.S. PATENT DOCUMENTS

3,674,512 A \* 7/1972 Andros ..... B65D 1/40  
 426/130  
 5,086,926 A \* 2/1992 Paige ..... A47J 41/02  
 206/542  
 D404,822 S \* 1/1999 Galustyan ..... D24/197  
 6,145,685 A \* 11/2000 Dick ..... B65D 21/0228  
 215/10  
 D472,101 S \* 3/2003 Janky ..... D7/523  
 8,899,435 B1 \* 12/2014 Reder ..... B65D 21/0233  
 220/23.86  
 10,549,898 B2 \* 2/2020 Park ..... B65D 47/0895  
 2014/0186507 A1 \* 7/2014 Wales ..... A47G 19/2205  
 426/519  
 2017/0027352 A1 \* 2/2017 Balganon Canela .....  
 A47G 19/2205  
 2018/0222639 A1 \* 8/2018 Russell ..... B65D 43/0283  
 2019/0239682 A1 \* 8/2019 Lee ..... A47J 36/2472  
 2019/0246822 A1 \* 8/2019 Horwitz ..... A47J 37/103  
 2019/0337675 A1 \* 11/2019 Rajendran ..... B65D 81/3823  
 2020/0015609 A1 \* 1/2020 Rhodes ..... B65D 25/34

FOREIGN PATENT DOCUMENTS

EM 001760679-0001 \* 10/2010  
 EM 001962614-0002 \* 12/2011  
 EM 002757898-0001 \* 8/2015  
 EM 003012533-0001 \* 3/2016  
 EM 003616655-0001 \* 2/2017  
 EM 004582500-0012 \* 1/2018  
 EM 004582500-0017 \* 1/2018  
 EM 005811767-0003 \* 10/2018

EM 008197149-0001 \* 10/2020  
 EM 007803259-0027 \* 11/2020  
 EM 008163919-0001 \* 12/2020  
 GB 2071157 \* 3/1998  
 GB 9008264402-0003 \* 11/2020  
 JP D1547658 \* 4/2016  
 JP D1547812 \* 4/2016  
 JP D1553631 \* 7/2016  
 JP D1553880 \* 7/2016  
 JP D1632688 \* 5/2019  
 JP D1632689 \* 5/2019  
 JP D1647777 \* 12/2019  
 KR 301099401.0000 \* 3/2021  
 WO WOD102089-001 \* 8/2018

OTHER PUBLICATIONS

Cereal On the Go Cups [online] URL: [https://www.amazon.com/Cereal-Breakfast-Portable-Yogurt-Container/dp/B0784BVG77/ref=sr\\_1\\_1?dchild=1&keywords=B0784BVG77&qid=1631809865&sr=8-1](https://www.amazon.com/Cereal-Breakfast-Portable-Yogurt-Container/dp/B0784BVG77/ref=sr_1_1?dchild=1&keywords=B0784BVG77&qid=1631809865&sr=8-1) (site visited: Aug. 2021) (Year: 2018).\*

Hydro Flask Rocks Cup—10 fl. oz [online] URL: <https://www.rei.com/product/111148/hydro-flask-rocks-cup-10-fl-oz?CAWELAID> (site visited: Aug. 2021) (Year: 2018).\*

1 oz Clear Plastic Push-Up Solid Stick with Clear Screw Cap \_ Berlin [online] URL: <https://www.berlinpackaging.com/1-oz-clearplastic-push-up-solid-stick-with-clear-screwcap-1126b01/?> (site visited: Aug. 2021) (Year: 2021).\*

Botto The Adjustable Airtight Container . . . [online] URL: <https://www.google.com/shopping/product/5446626043021516356?q=threaded+cup> (site visited: Aug. 2021) (Year: 2021).\*

LBLNY Creative Lunch Box Po . . . [online] URL: <https://www.amazon.com/LBLNY-Creative-Portable-Breakfast-Breathable/dp/B08SM72M74> (site visited: Aug. 2021) (Year: 2021).\*

Mini Thermos Flask Bottle 200ml Vaccum Cup Bottle Stainless Steel Hot Thermo Mug [online] URL: <https://www.aliexpress.com/item/4000525101303.html> (site visited: Aug. 2021) (Year: 2021).\*

\* cited by examiner

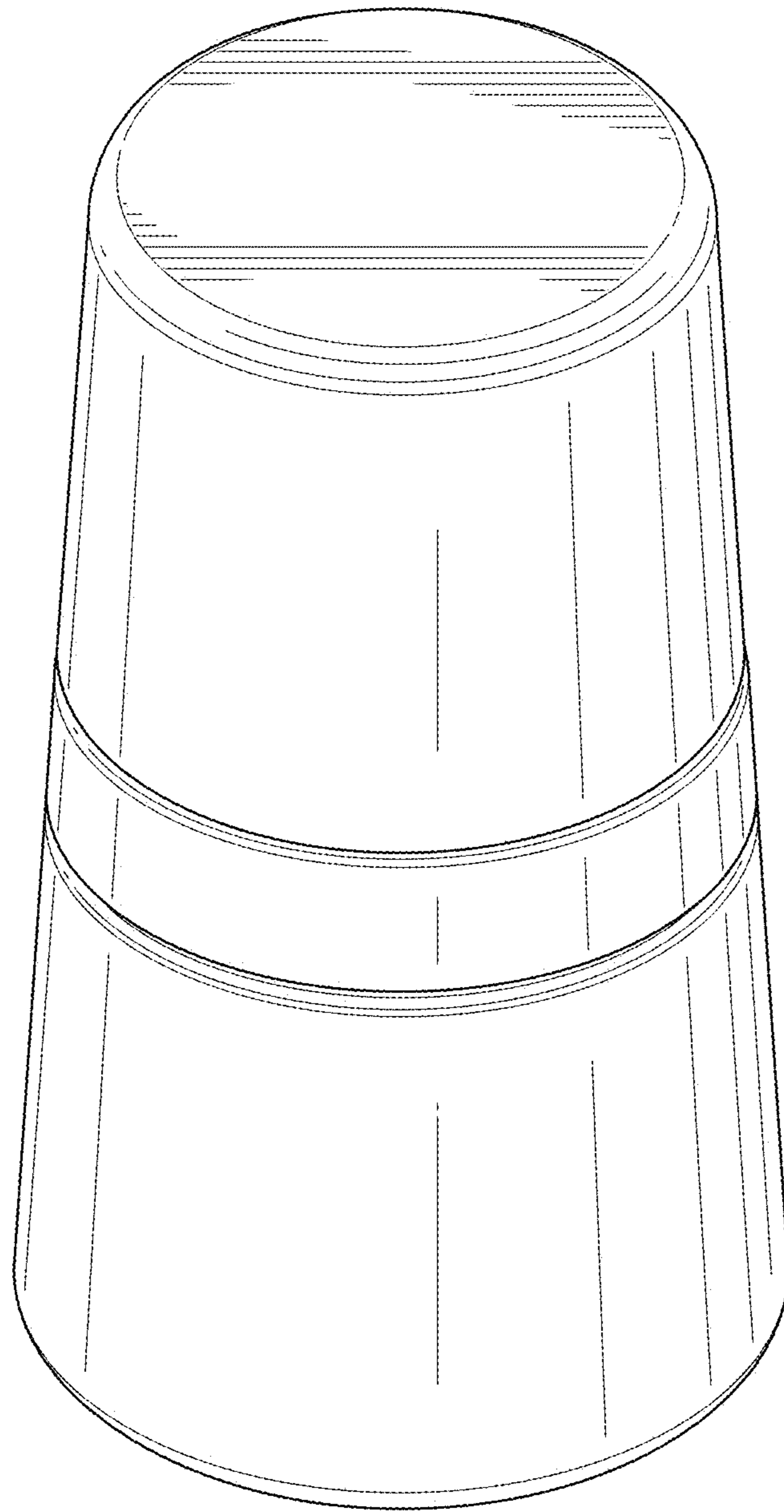


FIG. 1

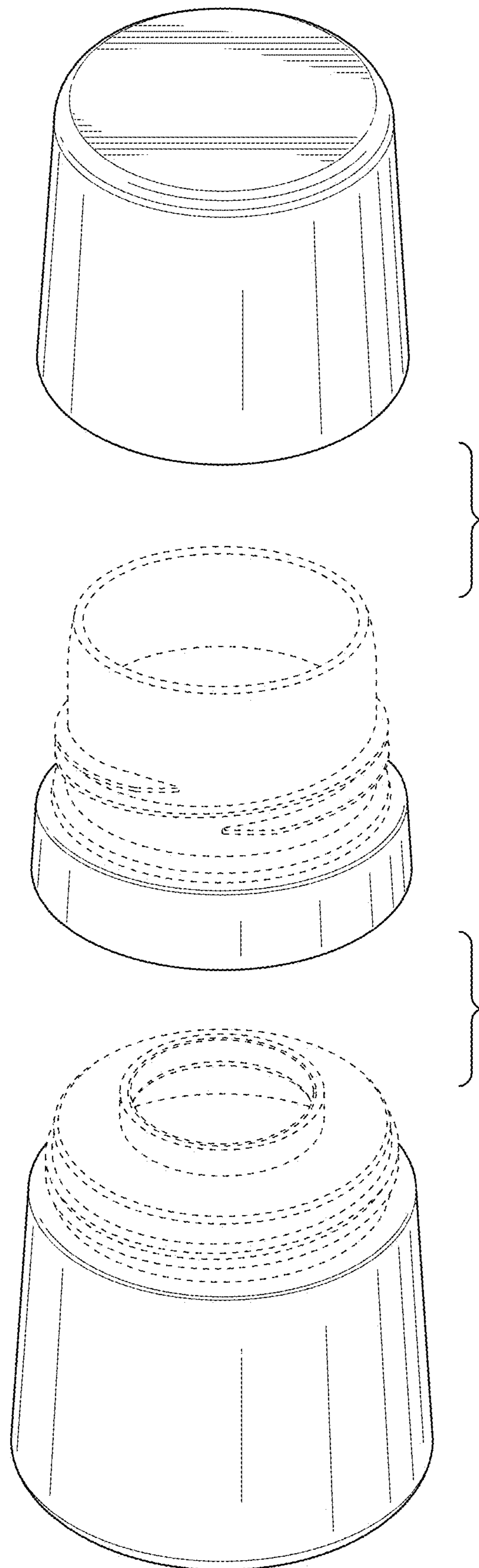


FIG. 2

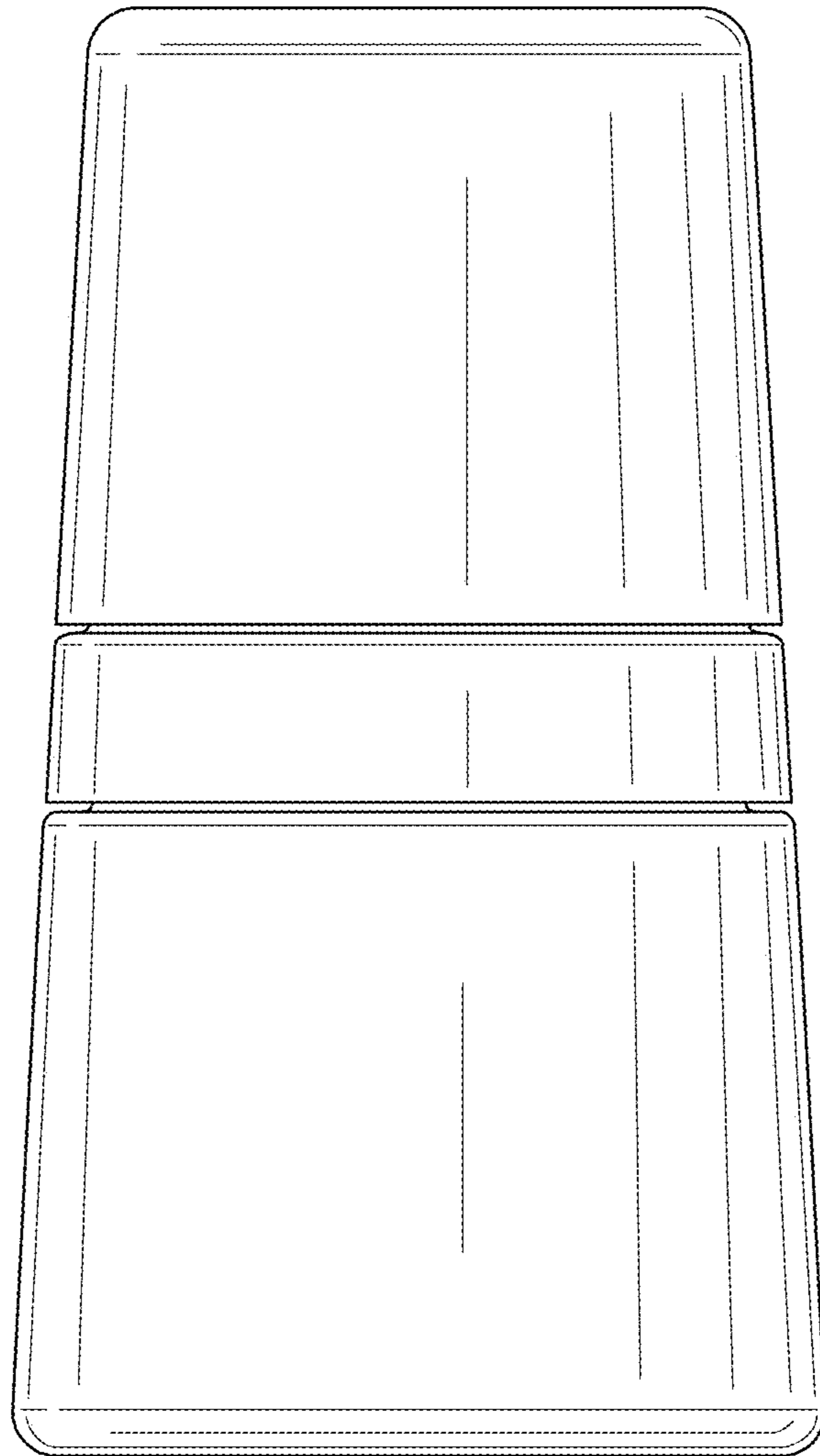


FIG. 3

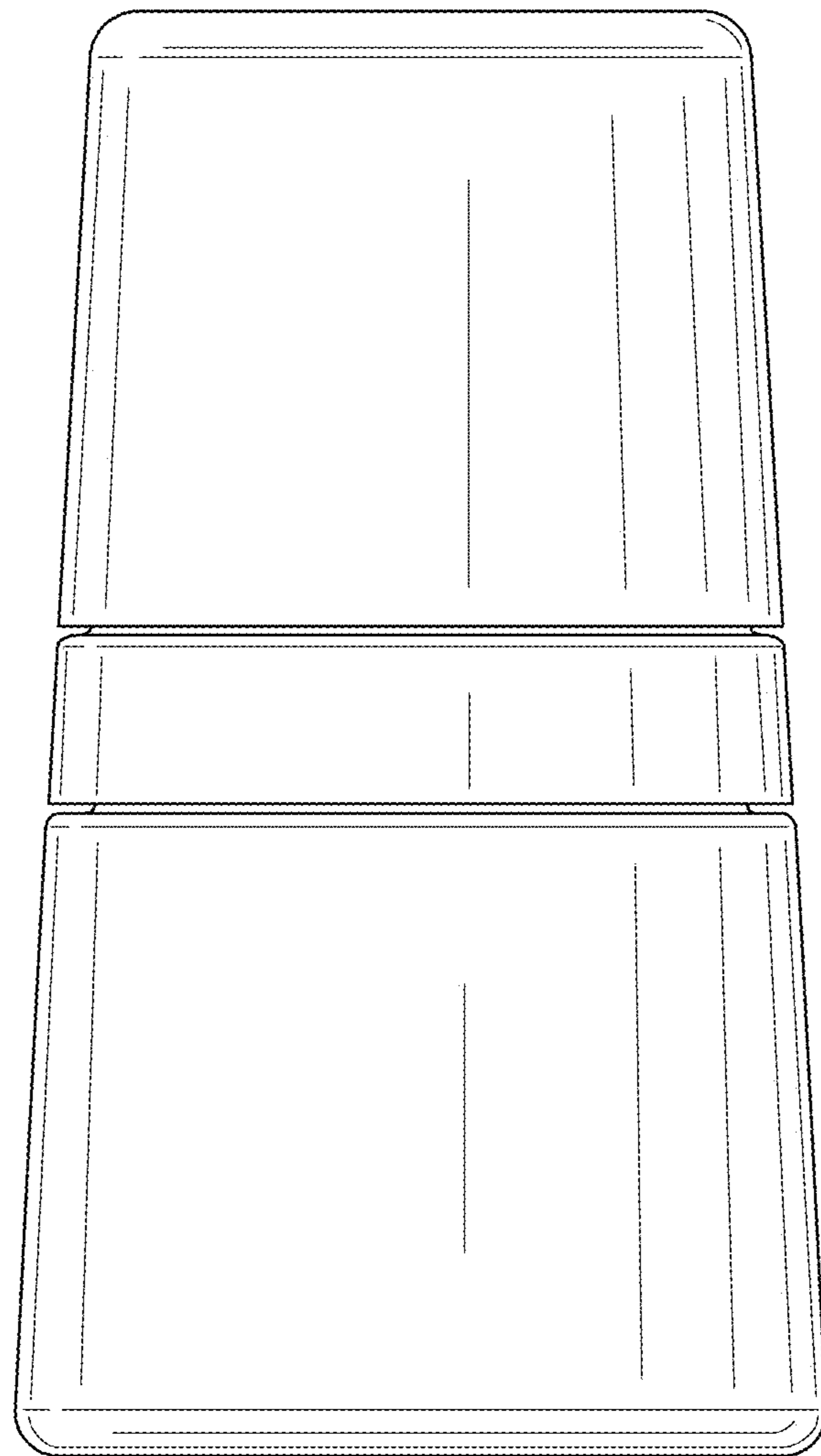


FIG. 4

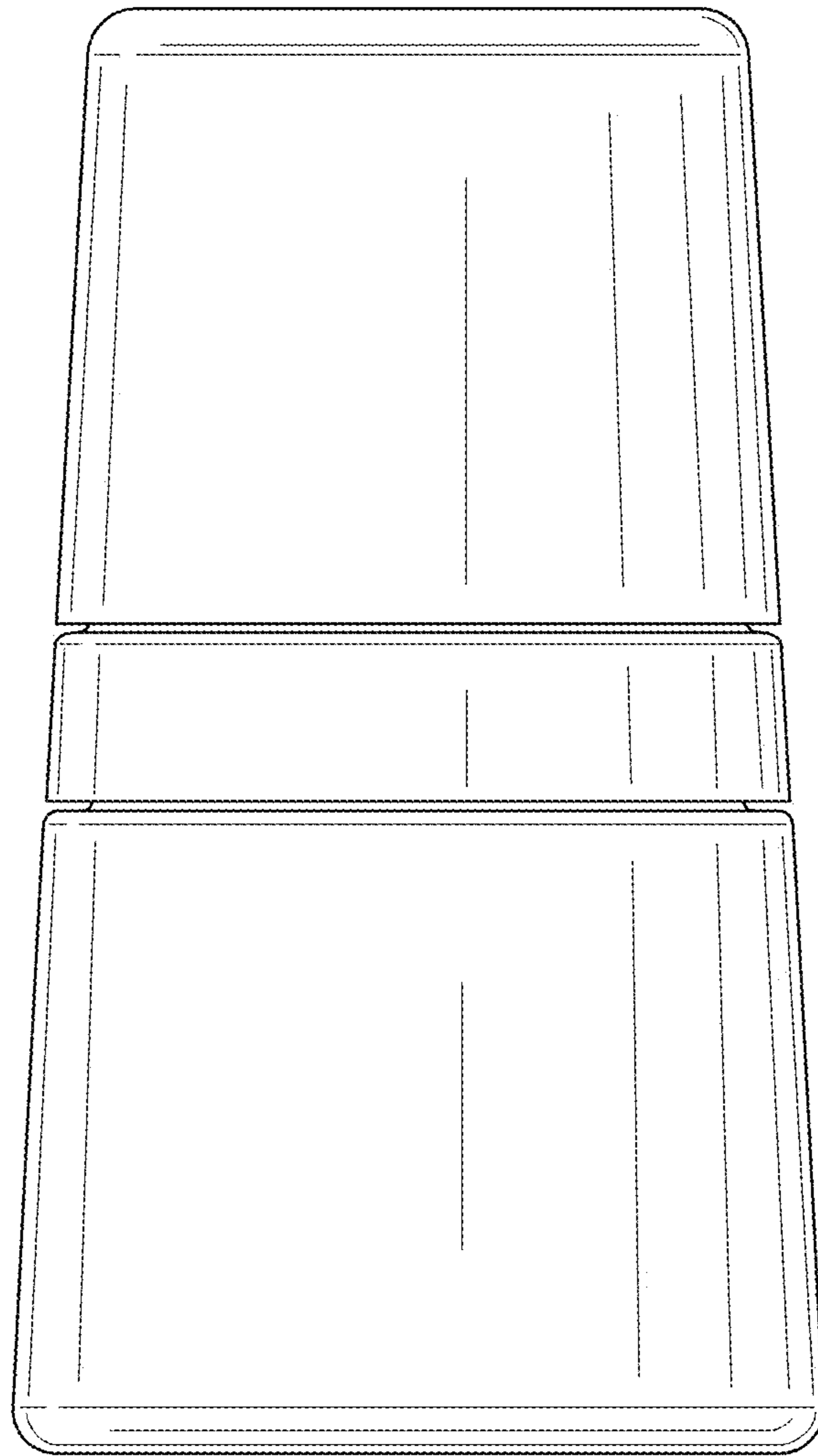


FIG. 5

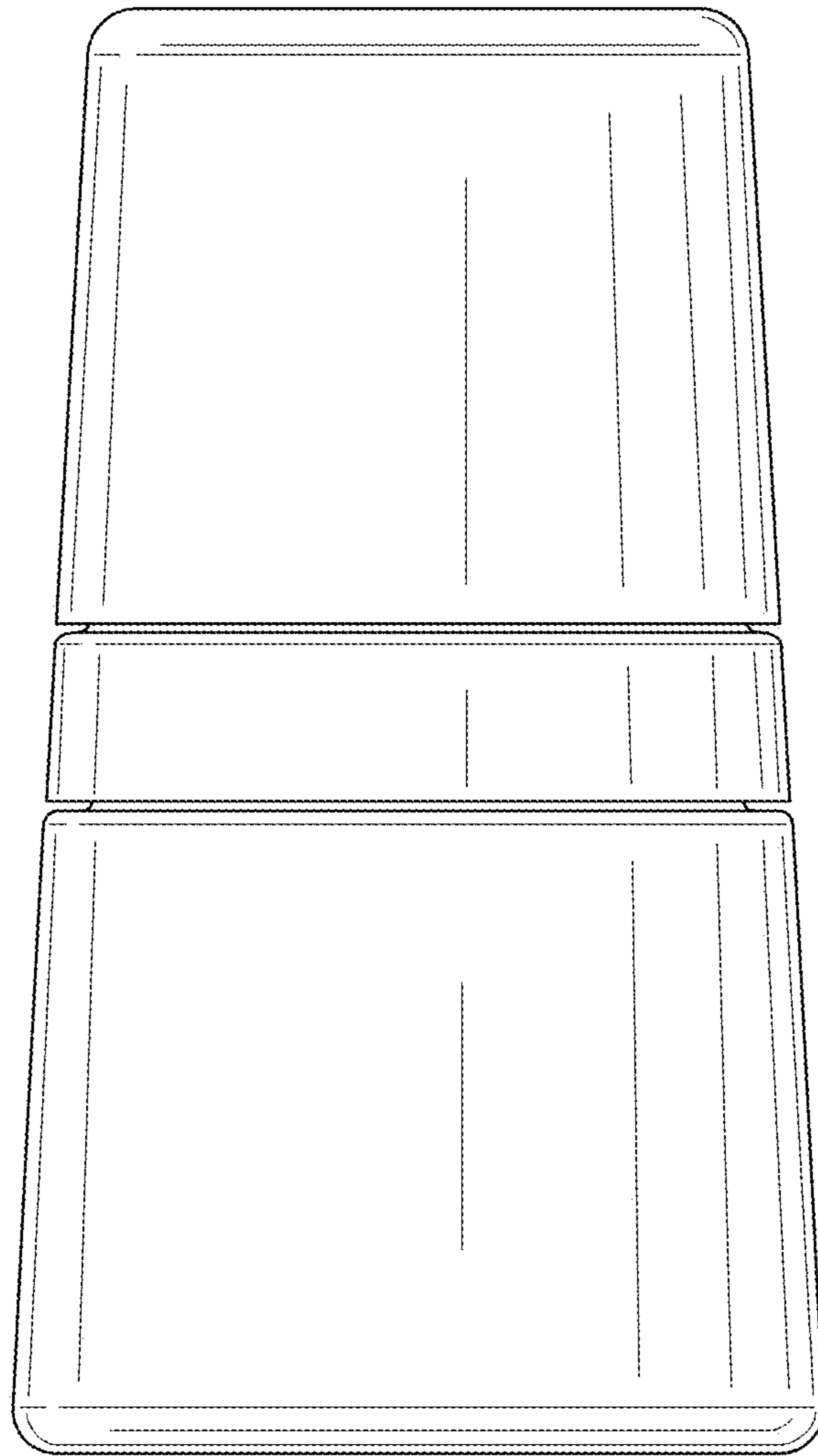


FIG. 6



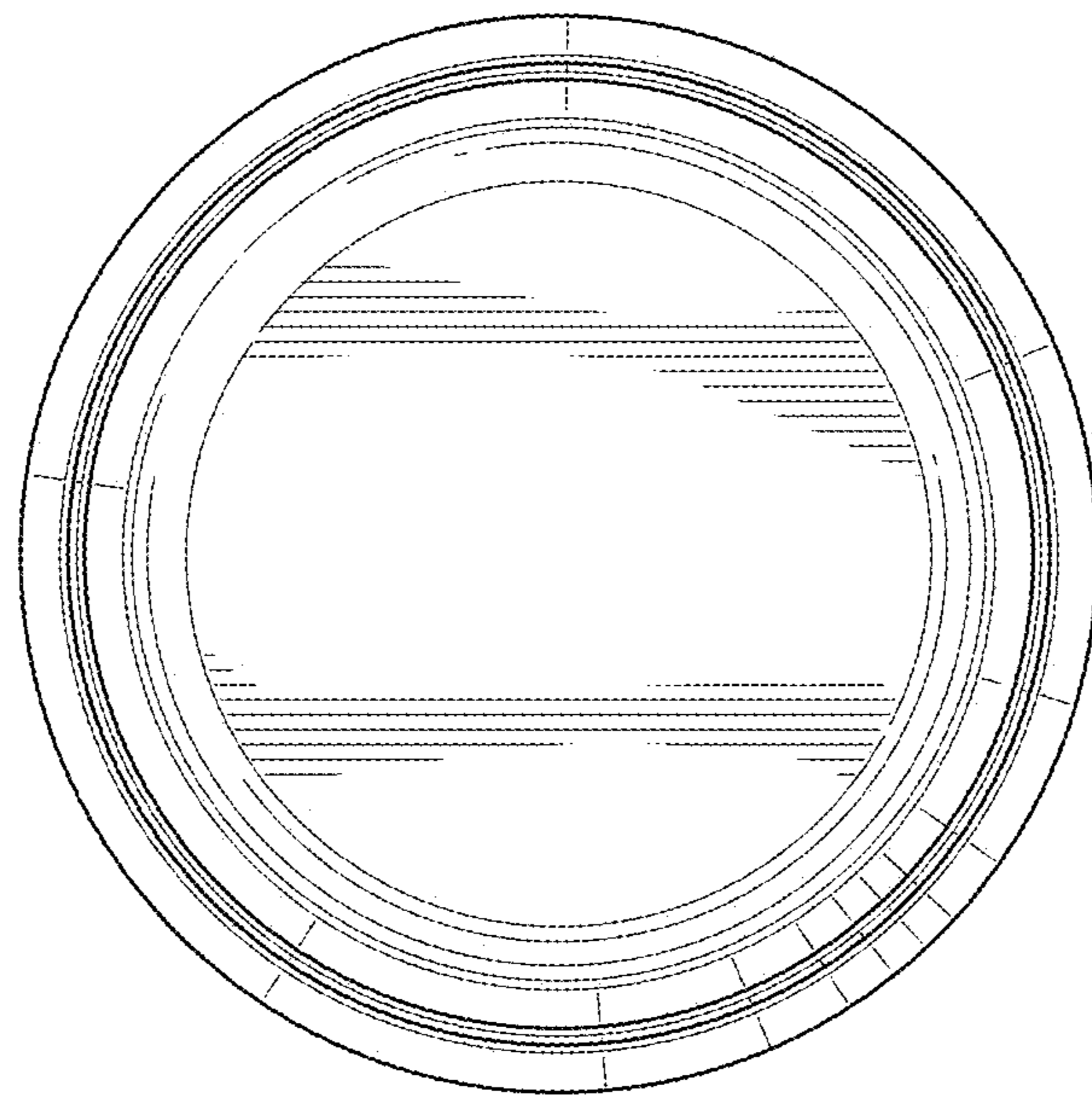


FIG. 7

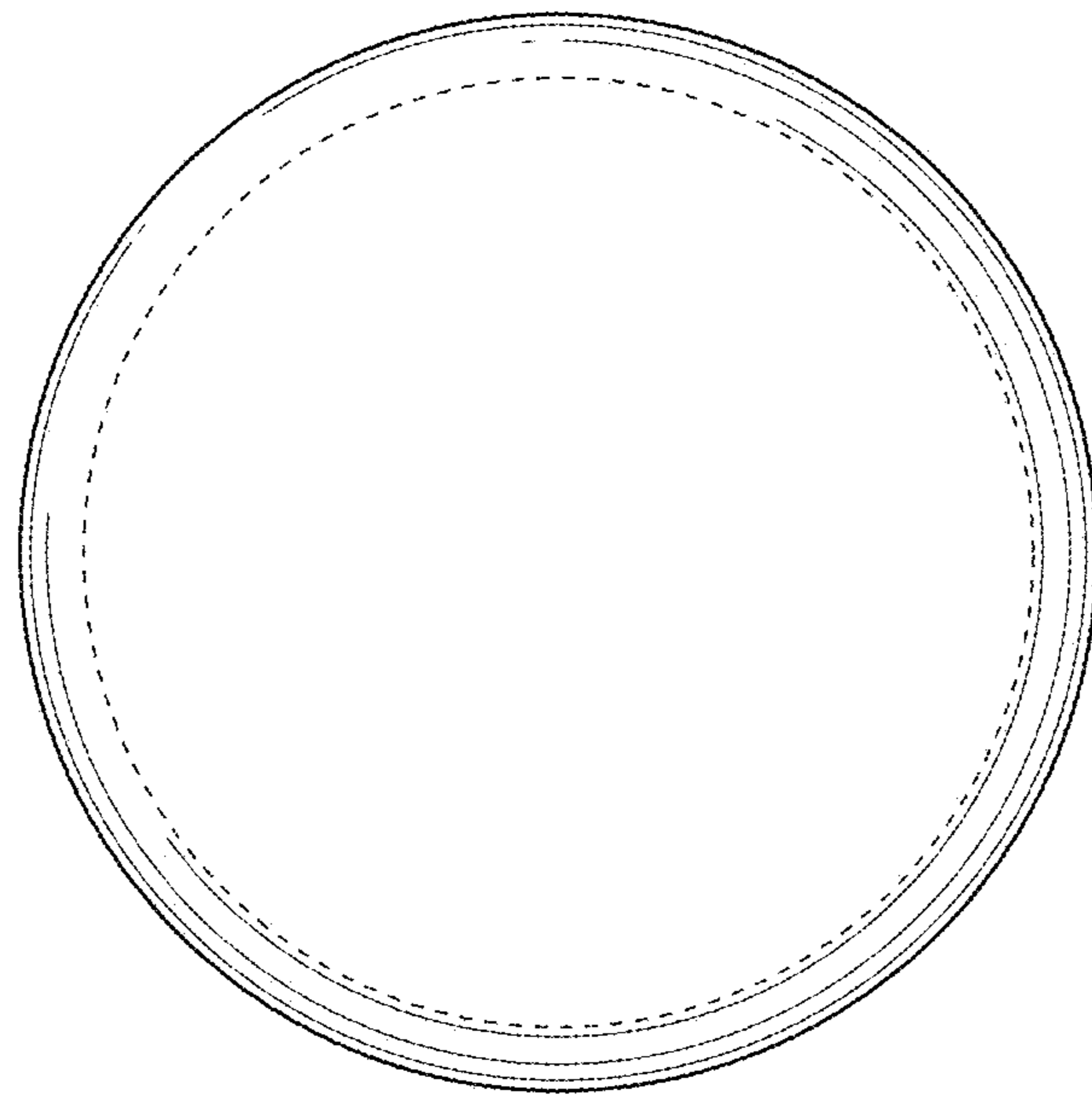


FIG. 8