



US00D943350S

(12) **United States Design Patent** (10) **Patent No.:** **US D943,350 S**
Bennion et al. (45) **Date of Patent:** **** *Feb. 15, 2022**

- (54) **GRILL ACCESSORY BRACKET**
- (71) Applicant: **Weber-Stephen Products LLC**,
Palatine, IL (US)
- (72) Inventors: **Derek Bennion**, Chicago, IL (US);
Romualdo Sonny Siazon, Woodstock,
IL (US); **Karol Polaczek**, Hickory
Hills, IL (US)
- (73) Assignee: **WEBER-STEPHEN PRODUCTS
LLC**, Palatine, IL (US)
- (*) Notice: This patent is subject to a terminal dis-
claimer.
- (**) Term: **15 Years**
- (21) Appl. No.: **29/754,230**
- (22) Filed: **Oct. 8, 2020**

- D256,201 S 8/1980 Ventura
- D292,150 S 10/1987 Restin et al.
- D325,838 S 5/1992 Lamprey
- D336,579 S * 6/1993 Keller D6/406.2
- 5,694,917 A * 12/1997 Giebel A47J 37/0713
126/41 R
- D416,441 S * 11/1999 Wagner D7/406
(Continued)

OTHER PUBLICATIONS

United States Patent and Trademark Office, "Requirement for Restriction," issued in connection with U.S. Appl. No. 29/653,705, dated Dec. 10, 2019, 4 pages.

(Continued)

Primary Examiner — Brett Miller
(74) *Attorney, Agent, or Firm* — Hanley, Flight & Zimmerman, LLC

(57) **CLAIM**

The ornamental design for a grill accessory bracket, as shown and described.

DESCRIPTION

FIG. 1 is a perspective view of a grill accessory bracket of the present invention;
FIG. 2 is a top plan view of the grill accessory bracket of the present invention;
FIG. 3 is a bottom view of the grill accessory bracket of the present invention;
FIG. 4 is a right side view of the grill accessory bracket of the present invention;
FIG. 5 is a top view of the grill accessory bracket of the present invention;
FIG. 6 is a left side view of the grill accessory bracket of the present invention; and,
FIG. 7 is a rear view of the grill accessory bracket of the present invention.

The broken lines in the Figures depict portions of the grill accessory bracket that form no part of the claimed design.

1 Claim, 4 Drawing Sheets

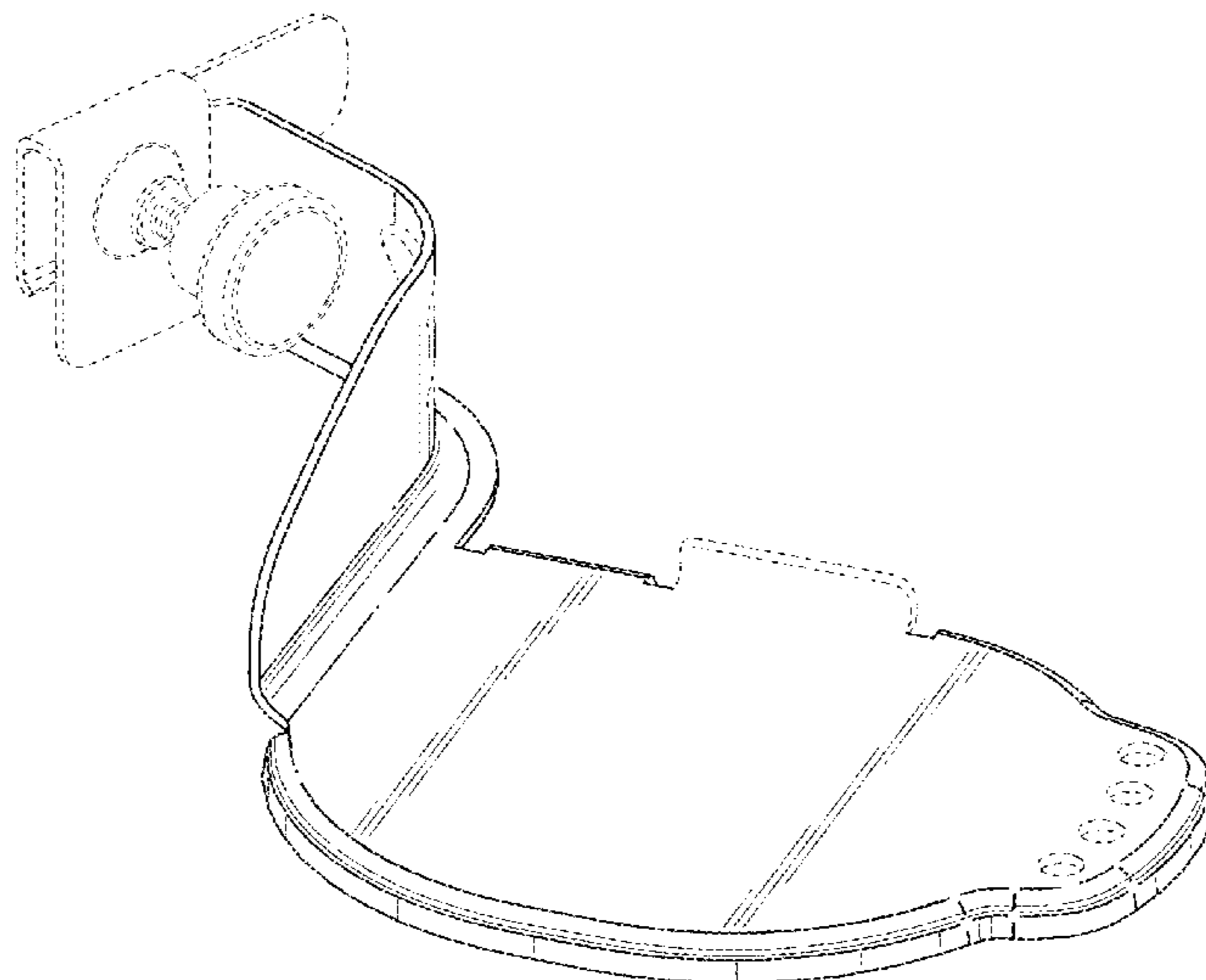
Related U.S. Application Data

- (62) Division of application No. 29/653,705, filed on Jun. 18, 2018, now Pat. No. Des. 899,852.
- (51) **LOC (13) Cl.** **07-02**
- (52) **U.S. Cl.**
USPC **D7/406**
- (58) **Field of Classification Search**
USPC D7/332-337, 402-409, 362, 363, 360,
D7/361; D34/21, 12, 17, 27; D24/227,
D24/229, 230; D12/400; D6/406.2
CPC A47J 37/0704; A47J 37/0763; A47J 37/07;
A47J 37/0786; A47J 33/00; A47J
2037/0777; A47J 37/0713
See application file for complete search history.

(56) **References Cited**

U.S. PATENT DOCUMENTS

- D164,099 S * 7/1951 Choate D6/336
- D233,948 S 12/1974 Selzer



(56)

References Cited

U.S. PATENT DOCUMENTS

D417,588	S	12/1999	Wagner et al.	
D435,396	S	12/2000	Wagner	
D436,004	S	1/2001	Wagner	
D443,179	S	6/2001	Wagner	
D448,975	S	10/2001	Wagner	
D454,753	S	3/2002	Pai	
D472,422	S	4/2003	Pai	
D480,914	S	10/2003	Wagner et al.	
D491,006	S	6/2004	Yeager et al.	
D587,480	S *	3/2009	Ciocchini	D6/406.2
D617,726	S	6/2010	Portillo et al.	
D621,216	S	8/2010	Bruno et al.	
D656,774	S *	4/2012	Lin	D7/334
D707,084	S	6/2014	Miller	
D714,073	S	9/2014	Pittman	
D822,305	S *	7/2018	Fredendall	D34/27
D827,370	S *	9/2018	Colston	D7/406
D845,706	S *	4/2019	Lamson	D7/402
D859,879	S	9/2019	Karatas	
D878,095	S *	3/2020	Dunahay	D6/553
D887,766	S *	6/2020	Kahn	D7/334
D899,852	S	10/2020	Bennion et al.	
D910,333	S *	2/2021	Davis	D6/574
2004/0025863	A1	2/2004	Wagner et al.	
2004/0154608	A1	8/2004	Ward et al.	
2018/0177335	A1	6/2018	Polaczek et al.	

OTHER PUBLICATIONS

United States Patent and Trademark Office, "Notice of Allowance and Fee(s) Due," issued in connection with U.S. Appl. No. 29/653,705, dated Mar. 5, 2020, 7 pages.

* cited by examiner

Fig. 1

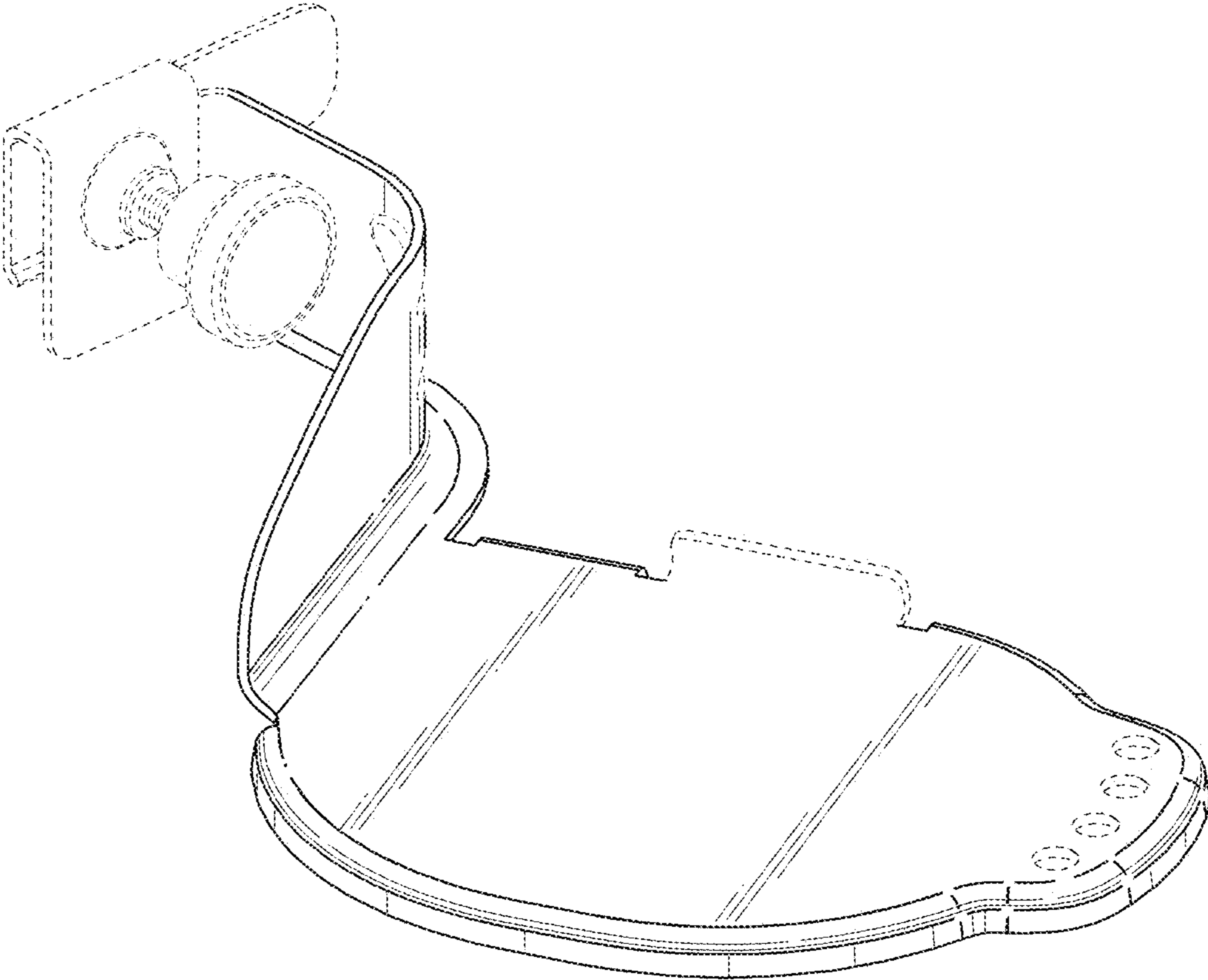


Fig. 2

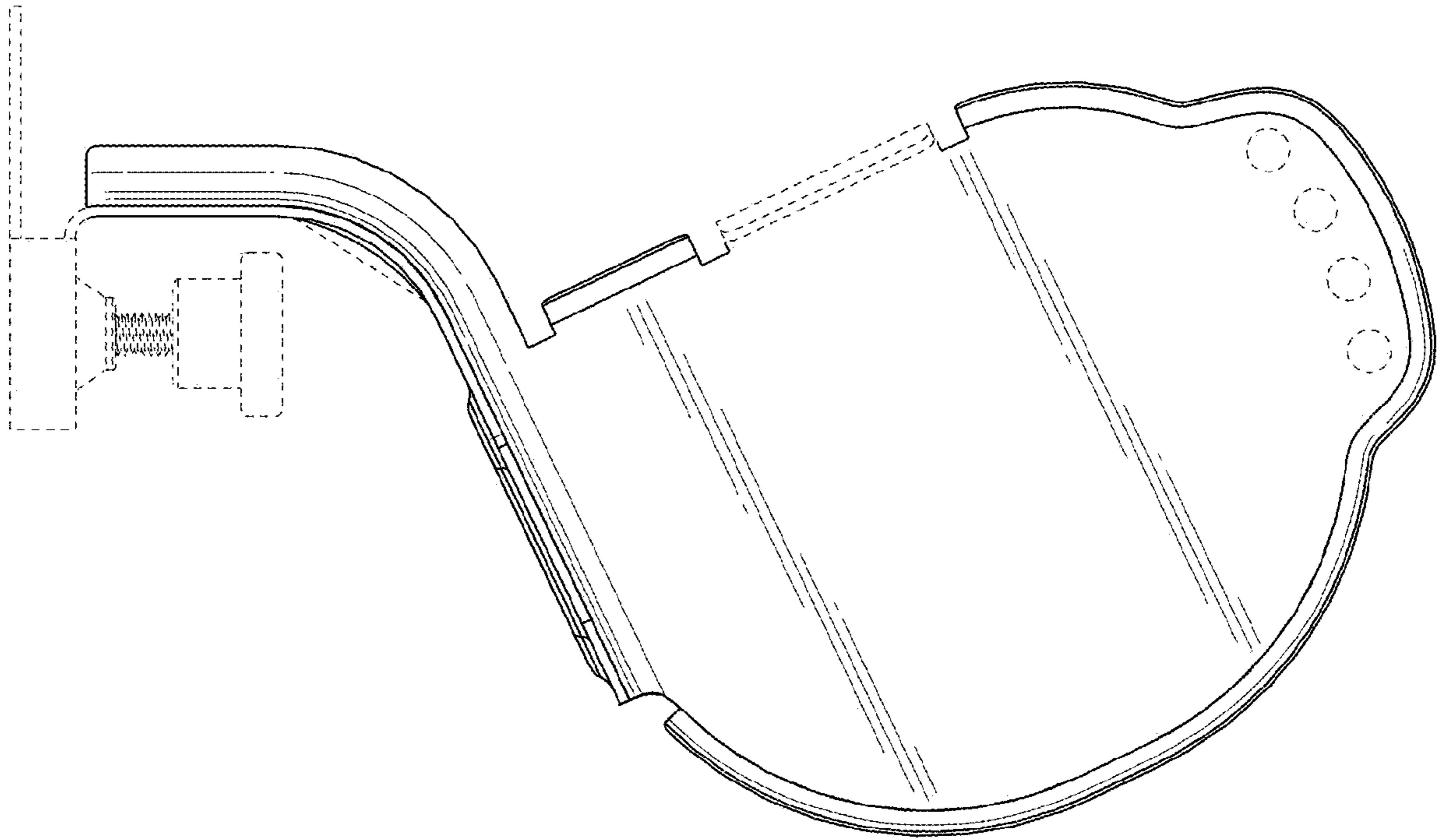


Fig. 3

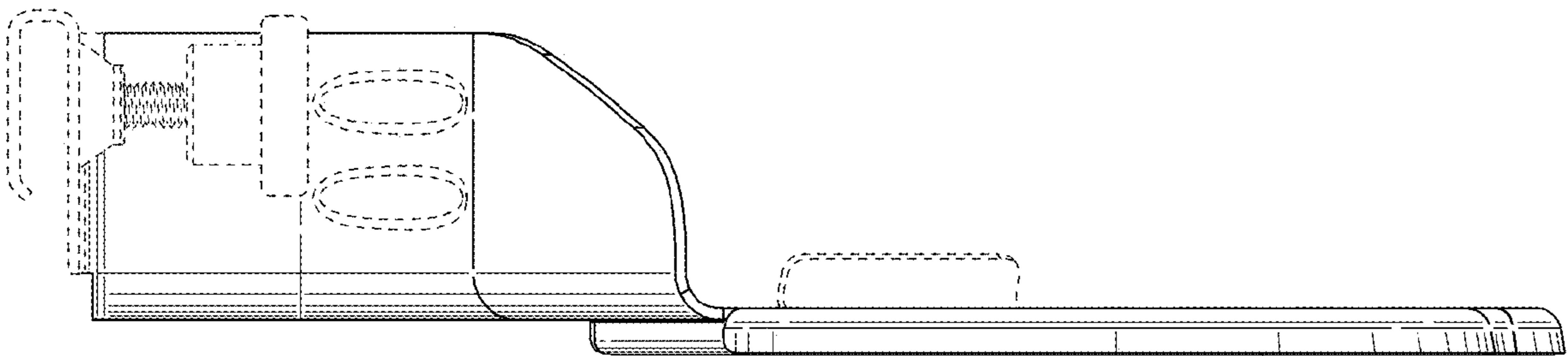


Fig. 4

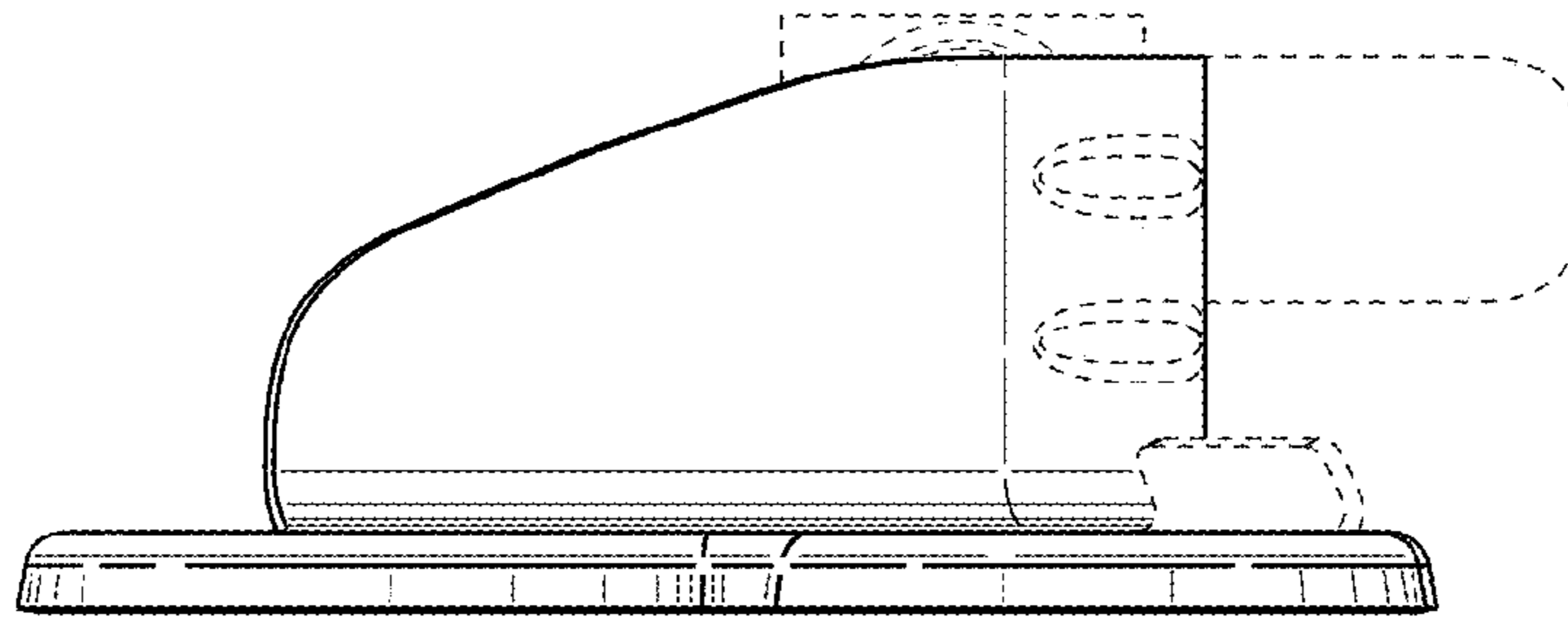


Fig. 5

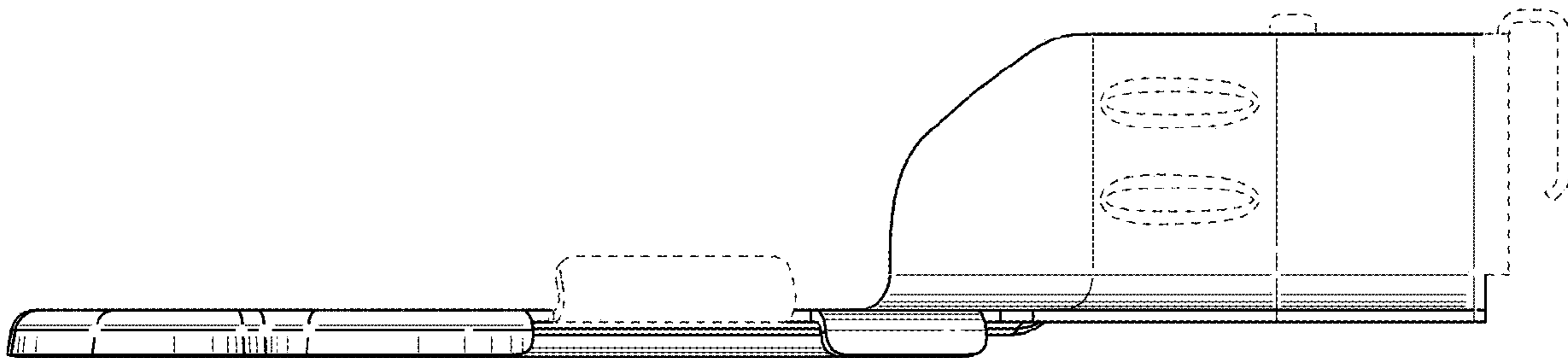


Fig. 6

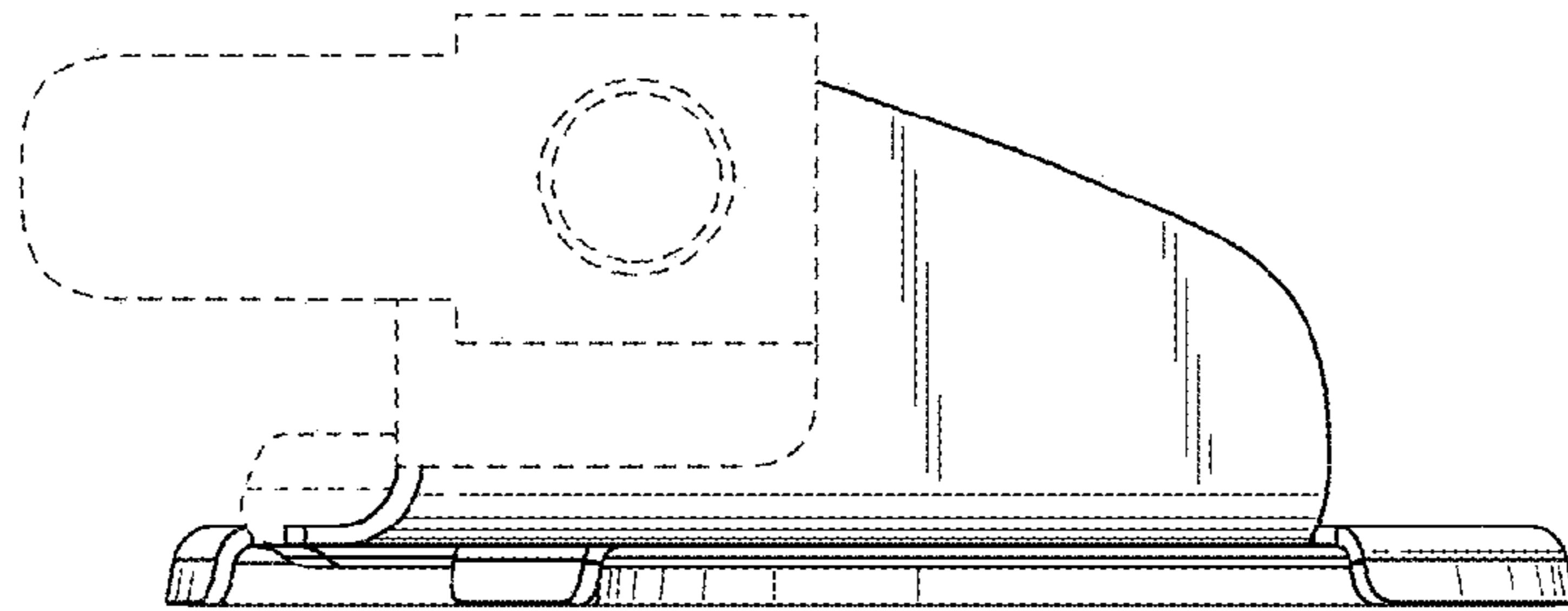


Fig. 7

