



US00D943346S

(12) **United States Design Patent**
Harrod

(10) **Patent No.:** **US D943,346 S**

(45) **Date of Patent:** **** Feb. 15, 2022**

(54) **APPLIANCE BASE**

(71) Applicant: **Breville Pty Limited**, Alexandria (AU)

(72) Inventor: **Richard Harrod**, Alexandria (AU)

(73) Assignee: **Breville Pty Limited**, Alexandria (AU)

(**) Term: **15 Years**

(21) Appl. No.: **29/683,382**

(22) Filed: **Mar. 12, 2019**

(30) **Foreign Application Priority Data**

Dec. 6, 2018 (AU) 201817330

(51) **LOC (13) Cl.** **07-99**

(52) **U.S. Cl.**
USPC **D7/396.6**; D7/399

(58) **Field of Classification Search**
USPC ... D7/316-321, 376, 378, 387, 396.1, 396.2,
D7/397, 399, 413, 415, 507, 598,
D7/600-602, 619.1, 620, 386, 403;
D9/434, 455; D10/87, 91, 94, 103
CPC A47J 27/21; A47J 27/21008; A47J 27/57;
A47J 27/21083; A47J 27/21066; A47J
27/2105; A47J 27/21041; A47J 27/14;
A47J 27/21058; A47J 31/00; A23L 2/00;
G01G 19/413; G01G 19/40
See application file for complete search history.

(56) **References Cited**

U.S. PATENT DOCUMENTS

D348,808 S * 7/1994 King D7/625
D498,689 S * 11/2004 Lee B01F 15/065
D10/91
D521,880 S * 5/2006 Drew D10/40
D594,696 S * 6/2009 Day D7/376
D627,587 S * 11/2010 Dahlstrom D7/319

D628,426 S * 12/2010 Hoare D7/319
D707,496 S * 6/2014 Dorn D7/619.1
D731,226 S * 6/2015 Sun D7/318

(Continued)

FOREIGN PATENT DOCUMENTS

CA 156555 * 12/2014
CN 304761273 * 8/2018

(Continued)

OTHER PUBLICATIONS

Davidrollini12, "Breville BKE820XL Variable-Temperature Electric Kettle Review," Dec. 9, 2015, MyBestElectricKettles.wordpress.com, <https://mybestelectrickettles.wordpress.com/2015/12/> (Year: 2015).*

(Continued)

Primary Examiner — Michelle E. Wilson

Assistant Examiner — Arva P Adams

(74) *Attorney, Agent, or Firm* — Moser Taboada

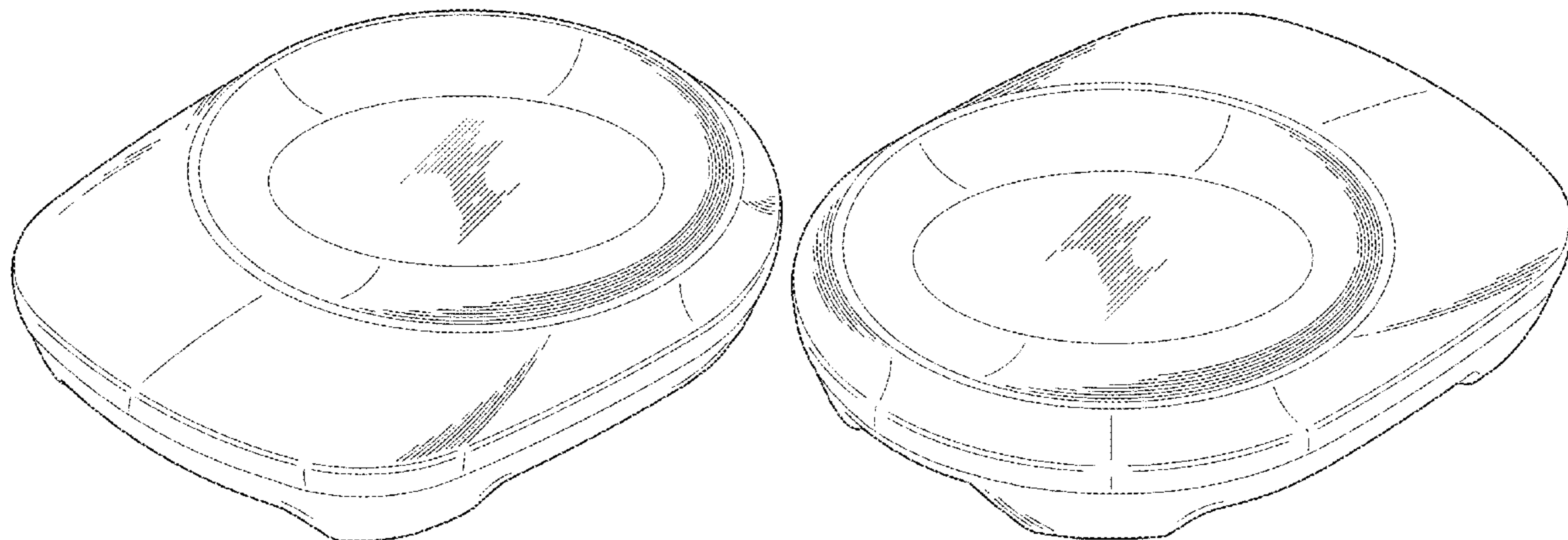
(57) **CLAIM**

The ornamental design for an appliance base, as shown and described.

DESCRIPTION

FIG. 1 is a front perspective view of an appliance base embodying the new design;
FIG. 2 is a rear perspective view of the design shown in FIG. 1;
FIG. 3 is a front view of the design shown in FIG. 1;
FIG. 4 is a rear view of the design shown in FIG. 1;
FIG. 5 is a left side view of the design shown in FIG. 1;
FIG. 6 is a right side view of the design shown in FIG. 1;
FIG. 7 is a top view of the design shown in FIG. 1; and,
FIG. 8 is a bottom view of the design shown in FIG. 1.
The broken line shown in FIG. 8 is for the purpose of illustrating portions of the appliance base and forms no part of the claimed design.

1 Claim, 6 Drawing Sheets



(56)

References Cited

U.S. PATENT DOCUMENTS

D738,669 S * 9/2015 Brook D7/318
 D746,097 S * 12/2015 Davenport D7/352
 D750,415 S * 3/2016 Marsh-Croft D7/352
 D824,723 S * 8/2018 Averty D7/396.6
 D830,759 S * 10/2018 Vu D7/319
 10,251,508 B2 * 4/2019 Pan A47J 31/20
 D853,773 S * 7/2019 Harrod D7/309
 D870,579 S * 12/2019 Zong D10/91
 D876,869 S * 3/2020 Ha D7/317
 D880,926 S * 4/2020 Thun D7/317
 D901,968 S * 11/2020 Hoare D7/396.6
 2006/0096974 A1 * 5/2006 Gaulard A47J 27/21066
 219/450.1
 2010/0270284 A1 * 10/2010 Cohen A47J 27/21175
 219/429
 2013/0016462 A1 * 1/2013 Howitt A47J 27/2105
 361/679.01
 2015/0090127 A1 * 4/2015 Dong A47J 31/20
 99/288
 2017/0135513 A1 * 5/2017 Geurts A47J 27/21
 2021/0030019 A1 * 2/2021 Thomas B01F 15/065
 2021/0031155 A1 * 2/2021 Hellmers B01F 15/065

FOREIGN PATENT DOCUMENTS

CN 305101894 * 4/2019
 EM 004144756-0002 * 8/2017
 EM 006541181-0001 * 8/2019

GB 6025430 * 1/2018
 JP 2001007989 3/2002
 KR 3007723420000 * 11/2014
 KR 300893903.0000 * 2/2017
 MY 14-624-0101-0001 * 3/2015
 RU 00088889 * 6/2014
 RU 00095498 * 9/2015
 RU 00112562 * 12/2018
 WO WO-D064399-001 * 10/2003

OTHER PUBLICATIONS

CNet, "Breville One-Touch Tea Maker review," Dec. 9, 2015, CNet.com, www.cnet.com/reviews/breville-one-touch-tea-maker-review/ (Year: 2015).*

Gourmia, "Gourmia GDK290 Electric Glass Tea Infuser," Dec. 2, 2016, YouTube.com, www.youtube.com/watch?v=bZQyJyUBhmU&feature=emb_logo (Year: 2016).*

Tyler, Lauletta, "I tried an electric kettle that makes it easier than ever to brew the perfect cup of tea," May 15, 2017, BusinessInsider.com, www.businessinsider.com/krups-savoy-electronic-kettle-review-2017-5 (Year: 2017).*

Maunder, Patricia, "Tech Know: New generation kettles do more than just boil water," Sep. 16, 2018, The Sydney Morning Herald, www.smh.com.au/entertainment/m15techknow-20180824-h14h15.html (Year: 2018).*

Chefman, "Chefman Digital Electric Glass Kettle," Jul. 8, 2019, Amazon.com, www.amazon.com/dp/B07TYGG2S3 (Year: 2019).*

* cited by examiner

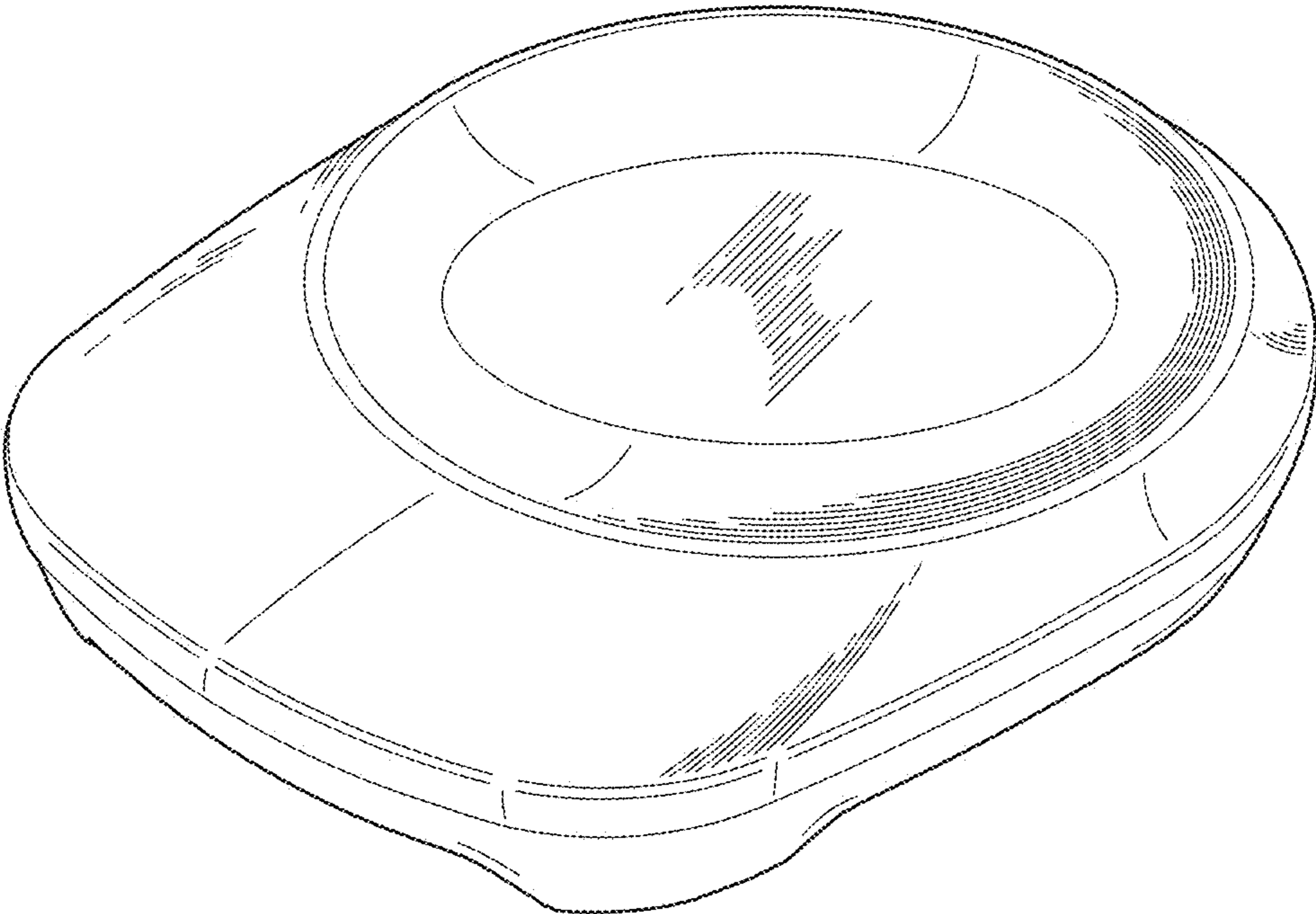


FIG. 1

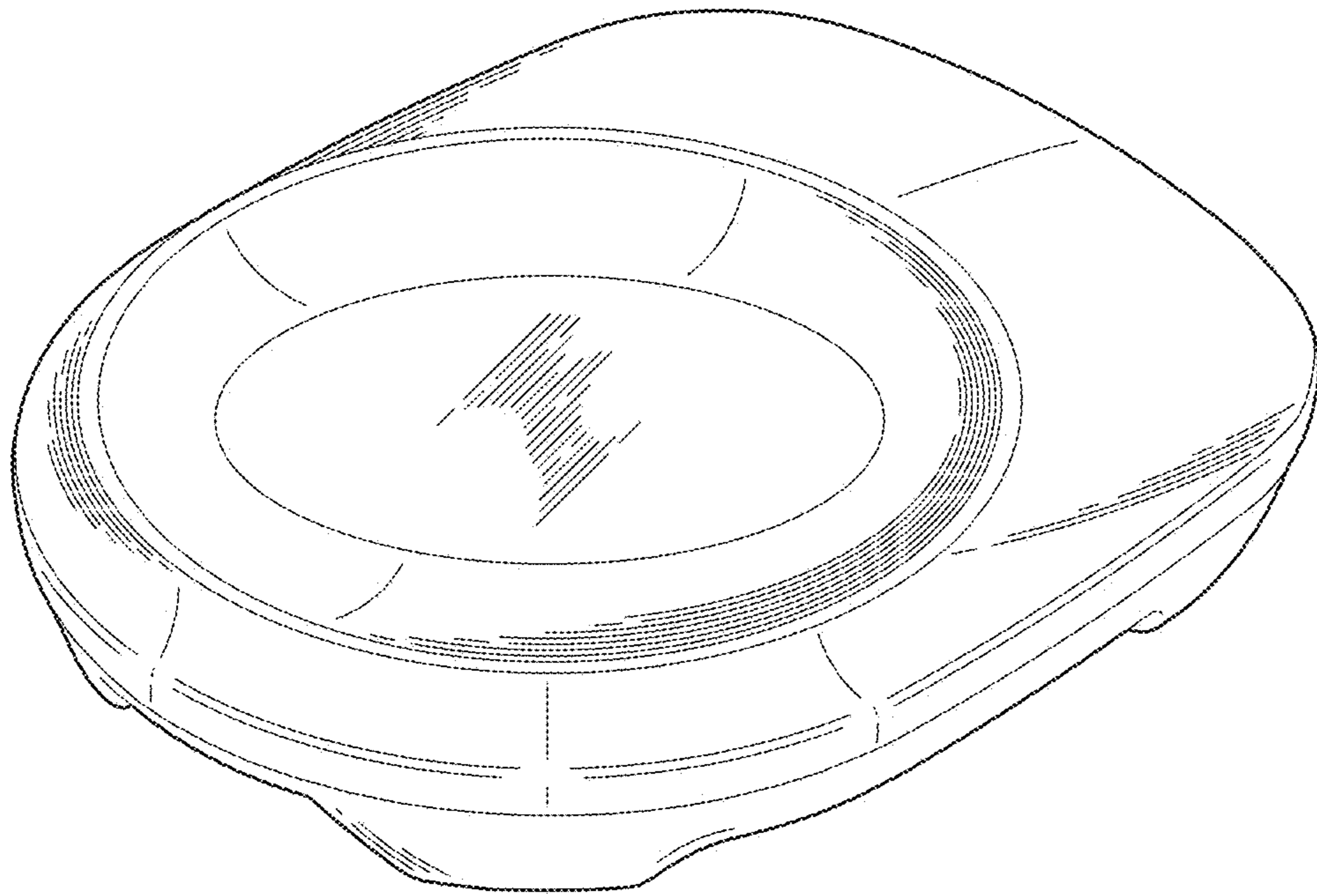


FIG. 2

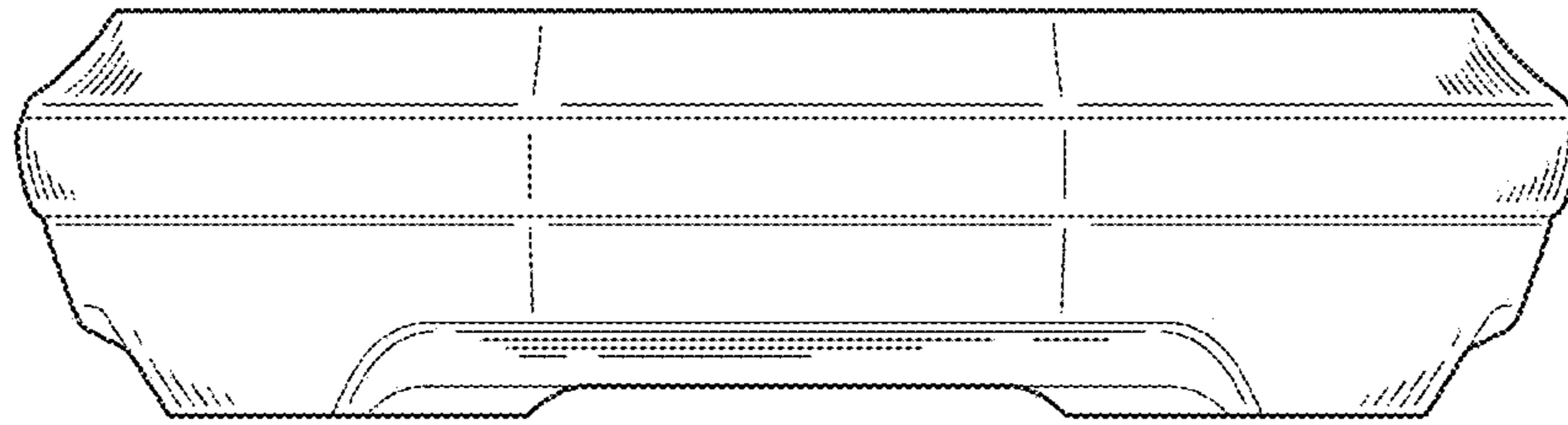


FIG. 3

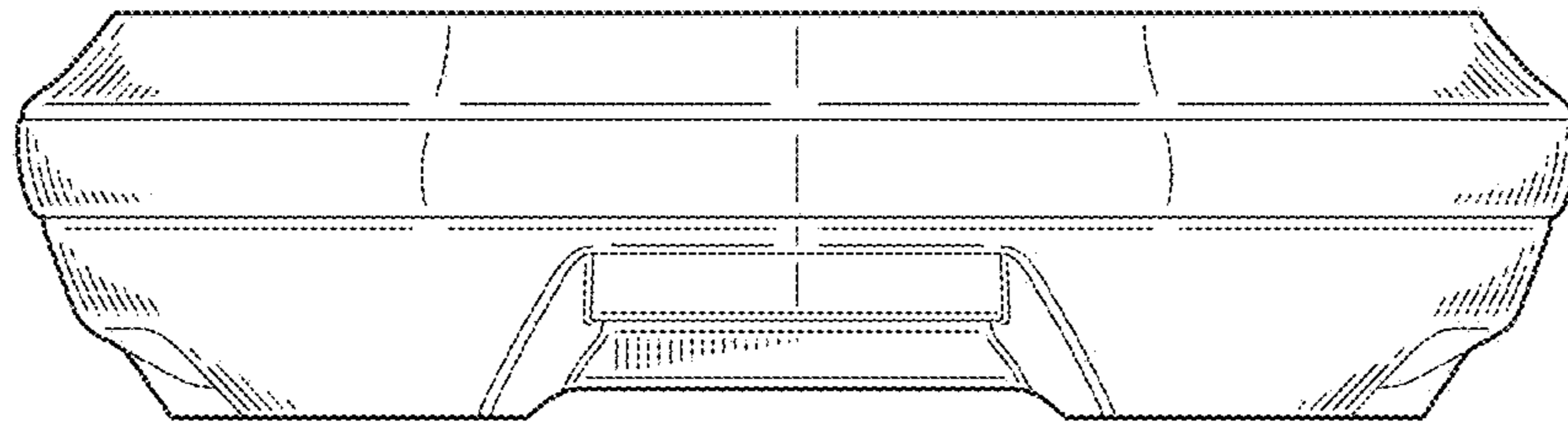


FIG. 4

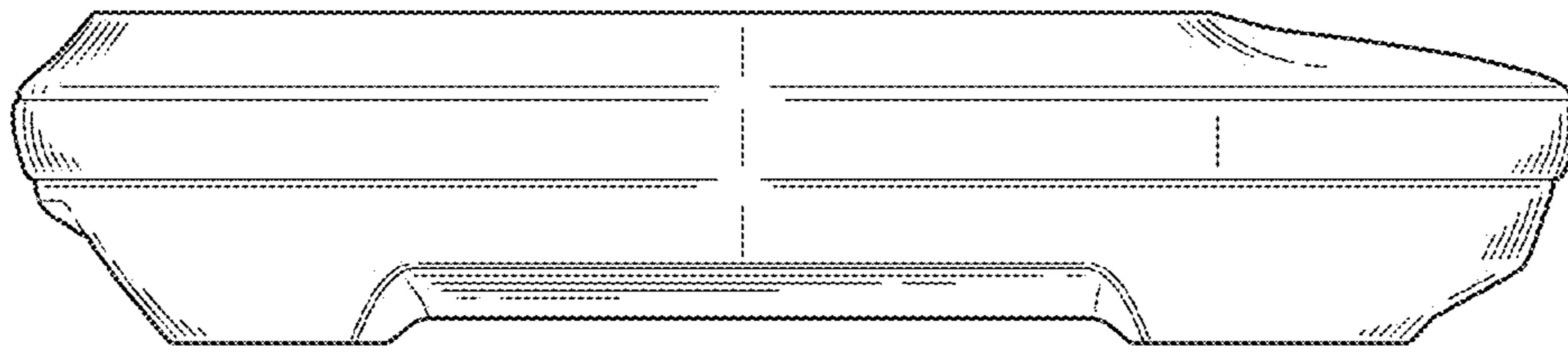


FIG. 5

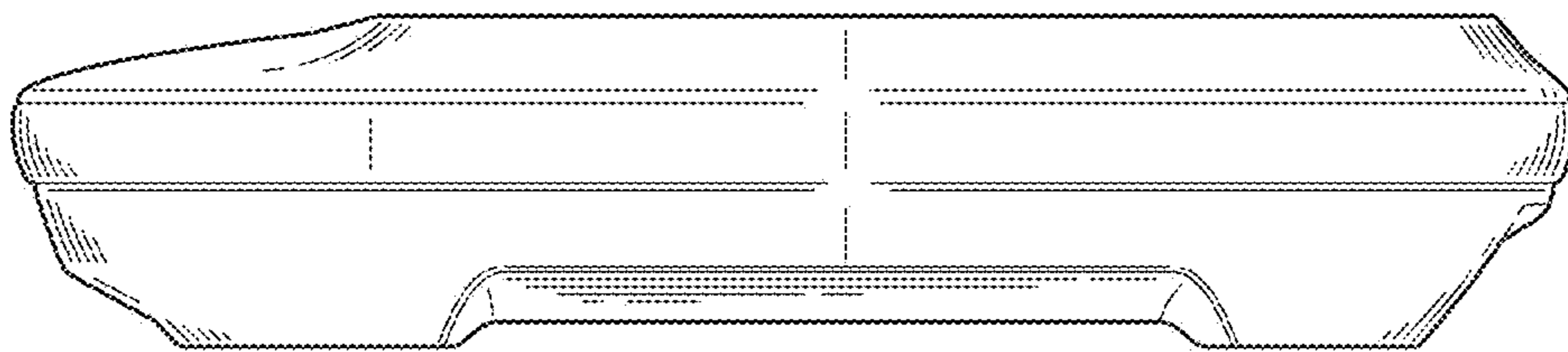


FIG. 6

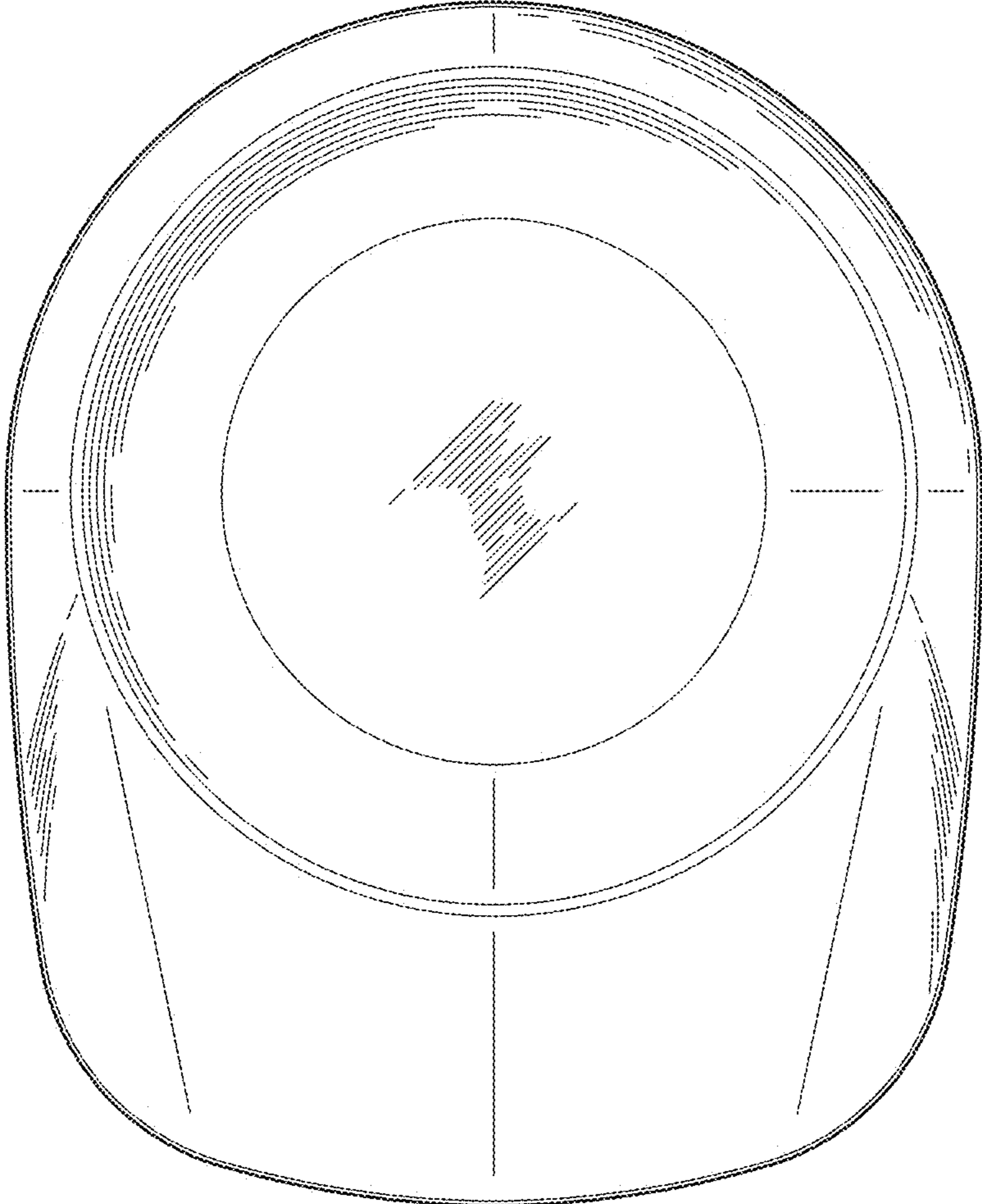


FIG. 7

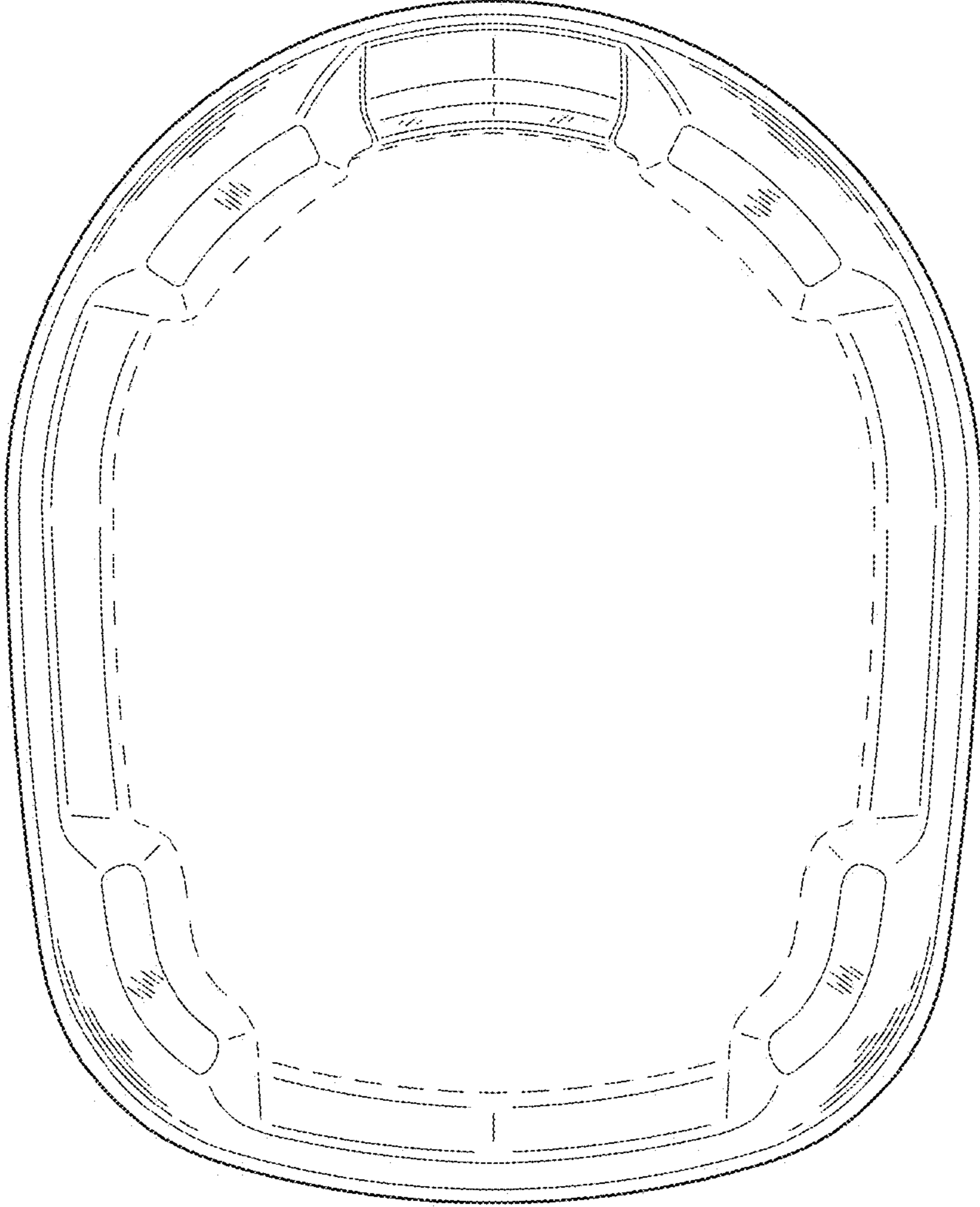


FIG. 8