

US00D943345S

(12) **United States Design Patent** (10) **Patent No.:** **US D943,345 S**
Löfholm et al. (45) **Date of Patent:** **** Feb. 15, 2022**

(54) **LID FOR DRINKING VESSELS**
(71) Applicant: **UniCup Scandinavia AB**, Huddinge (SE)
(72) Inventors: **Håkan Johan Löfholm**, Huddinge (SE); **Lars Bendix**, Randers NÖ (DK)
(73) Assignee: **UniCup Scandinavia AB**, Huddinge (SE)
(**) Term: **15 Years**
(21) Appl. No.: **35/508,346**
(22) Filed: **Jul. 17, 2019**

D541,152 S 4/2007 Samz et al.
D541,153 S 4/2007 Hollis et al.
D541,650 S 5/2007 Hollis et al.
D570,685 S 6/2008 Koennecke
D571,164 S * 6/2008 Yelland D7/667
D623,941 S 9/2010 Bendix
D627,192 S * 11/2010 Gilbert D7/392.1
D630,059 S 1/2011 Gilbert et al.
D642,862 S 8/2011 Tobias
D642,863 S 8/2011 Tobias
D642,864 S 8/2011 Tobias
D667,263 S 9/2012 Gilbert et al.
D683,186 S 5/2013 Tobias
D685,266 S 7/2013 Burleson, Jr. et al.
D686,876 S 7/2013 Gatto
D686,880 S 7/2013 Gatto
D707,492 S 6/2014 George et al.
D711,741 S 8/2014 Humm et al.
D717,115 S 11/2014 Lane et al.
D719,023 S 12/2014 Hu et al.

(80) **Hague Agreement Data**

Int. Filing Date: **Jul. 17, 2019**
Int. Reg. No.: **DM/204371**
Int. Reg. Date: **Jul. 17, 2019**
Int. Reg. Pub. Date: **Jan. 17, 2020**

FOREIGN PATENT DOCUMENTS

GB 8204371000-2000 * 7/2019

(51) **LOC (13) Cl.** **07-99**
(52) **U.S. Cl.**

Primary Examiner — S. Bryan Reinholdt, Jr.
(74) *Attorney, Agent, or Firm* — Christopher & Weisberg, P.A.

USPC **D7/392.1**

(58) **Field of Classification Search**
USPC D7/317, 321, 510, 511, 629, 392.1, 900; D9/447, 454
CPC B65D 2543/00296; B65D 43/02; B65D 51/18; B65D 81/3813; B65D 9/18
See application file for complete search history.

(57) **CLAIM**

The ornamental design for a lid for drinking vessels, as shown and described.

(56) **References Cited**

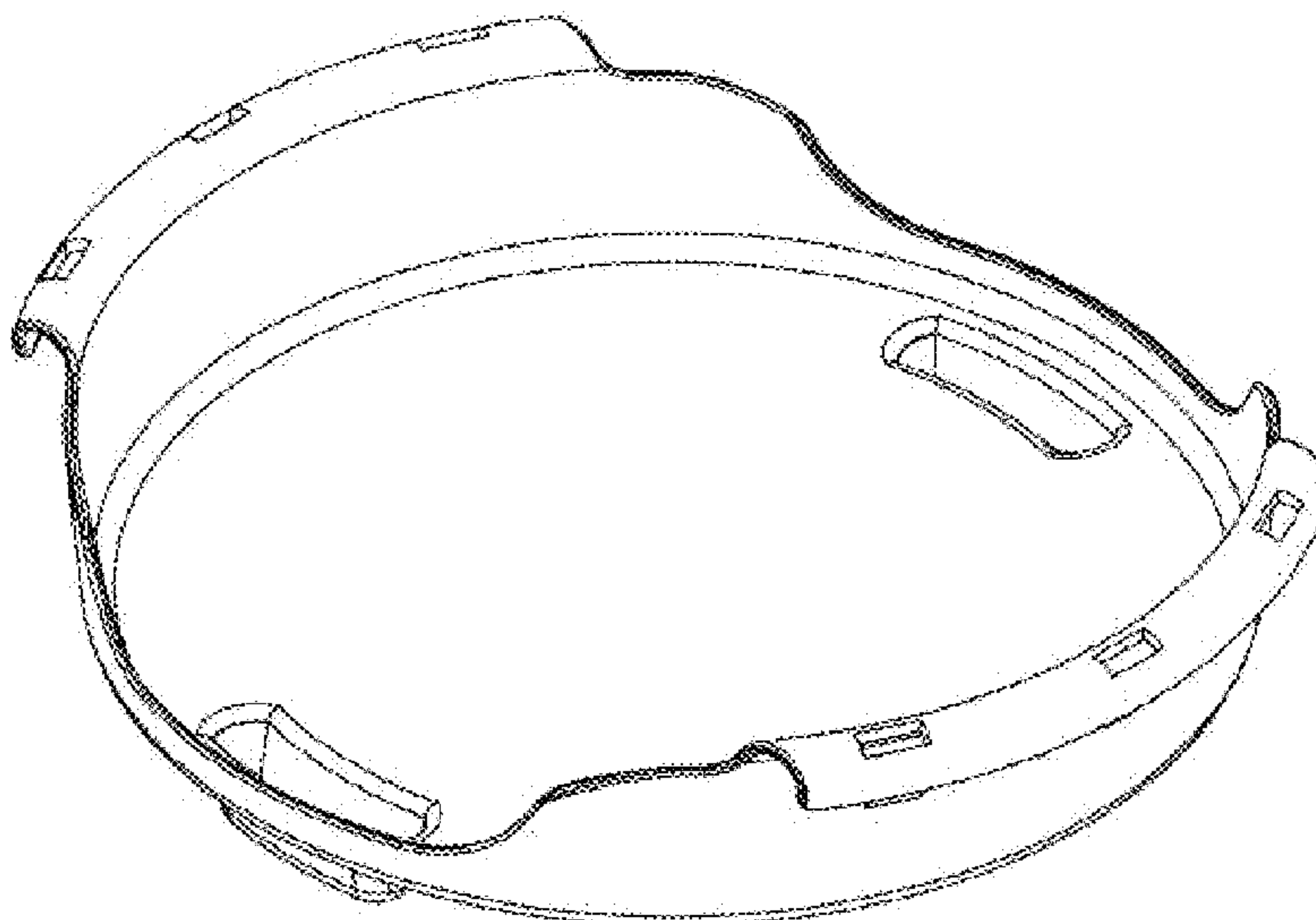
U.S. PATENT DOCUMENTS

D261,486 S * 10/1981 Smith D9/452
D364,315 S 11/1995 Humphrey et al.
D396,381 S 7/1998 Chung
D409,441 S 5/1999 Stephenson
D509,135 S 9/2005 Guyot
D540,674 S 4/2007 Hollis et al.
D540,675 S 4/2007 Hollis et al.

DESCRIPTION

1.-2. Lid for drinking vessels
FIG. 2.1 is a top perspective view of the lid for drinking vessels;
FIG. 2.2 is a front side view thereof;
FIG. 2.3 is a back side view thereof;
FIG. 2.4 is a left side view thereof;
FIG. 2.5 is a right side view thereof;
FIG. 2.6 is a top side view thereof; and
FIG. 2.7 is a bottom side view thereof.

1 Claim, 7 Drawing Sheets



(56)

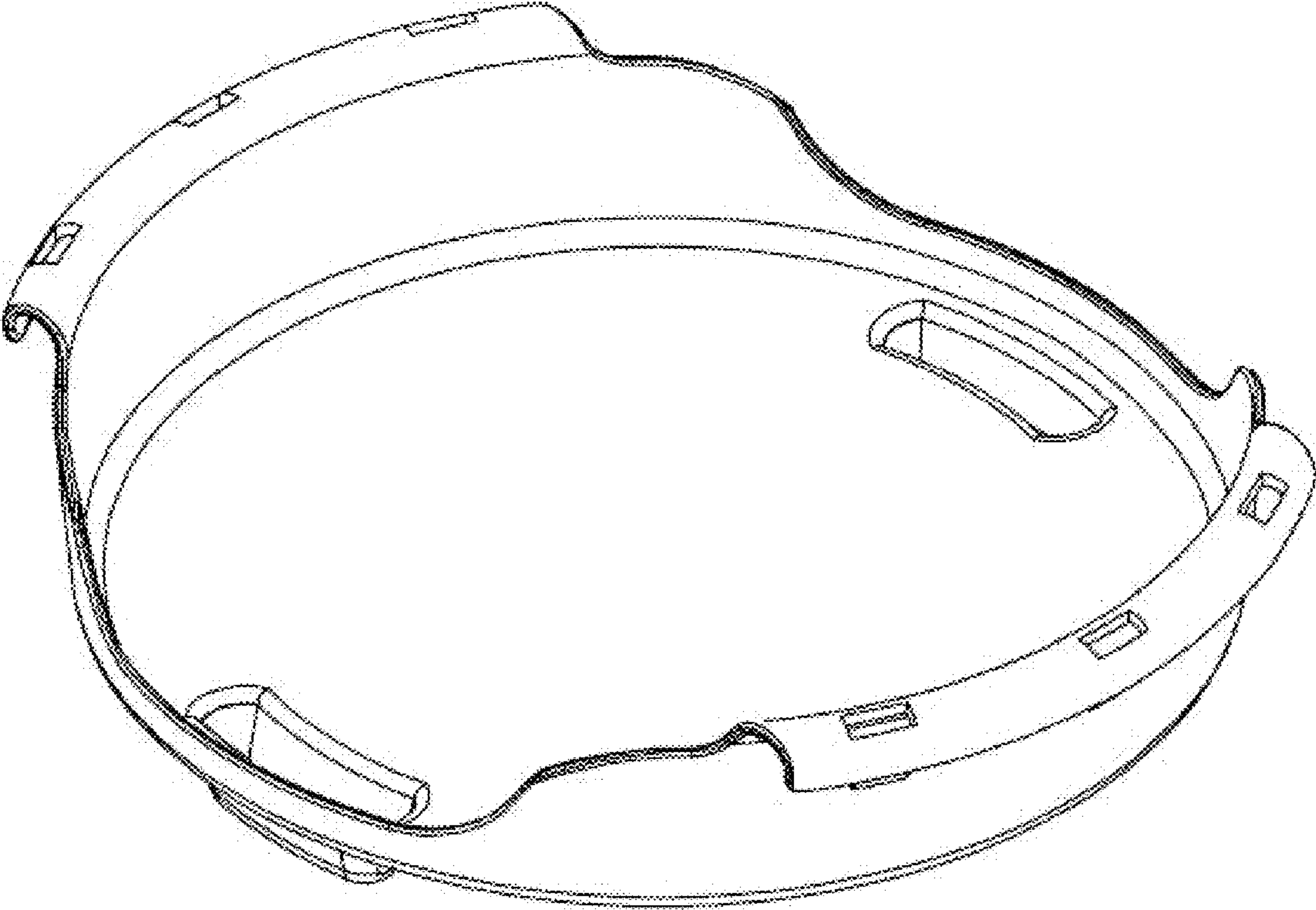
References Cited

U.S. PATENT DOCUMENTS

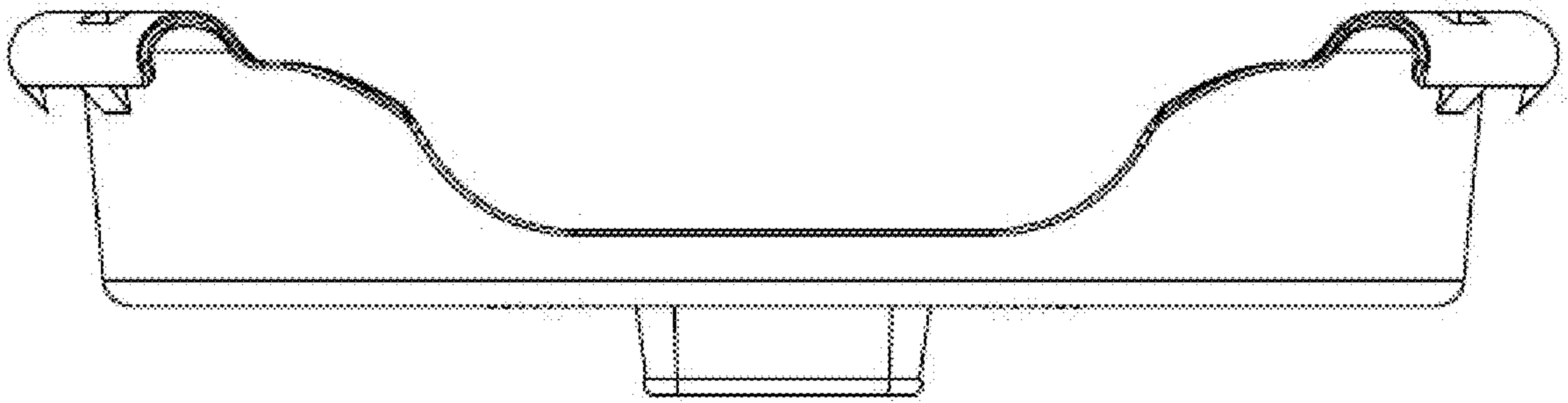
D721,540 S	1/2015	Grcic	
D725,955 S	4/2015	Wittke et al.	
D727,149 S	4/2015	Humm et al.	
D727,681 S	4/2015	Osgood et al.	
D770,895 S	11/2016	Brown	
D779,273 S	2/2017	Lee et al.	
D789,140 S	6/2017	Joseph	
D792,155 S	7/2017	Stover	
D795,068 S *	8/2017	Lefebvre	D9/454
D795,643 S	8/2017	Barlow	
D807,702 S	1/2018	Szymanski	
D814,240 S	4/2018	Kabalin	
D815,903 S	4/2018	Steel	
D817,093 S	5/2018	Silsby et al.	
D817,094 S	5/2018	Silsby et al.	
D827,377 S	9/2018	Silsby et al.	
D844,382 S	4/2019	Seiders et al.	
D844,383 S	4/2019	Seiders et al.	
D851,458 S	6/2019	Bums et al.	
D880,226 S *	4/2020	Lofholm	D7/392.1
D880,227 S *	4/2020	Lofholm	D7/392.1
D907,493 S *	1/2021	Yoshida	D9/454
D907,494 S *	1/2021	Yoshida	D9/454
D910,370 S *	2/2021	Chu	D7/396.2
10,906,707 B2 *	2/2021	Lofholm	B65D 47/06

* cited by examiner

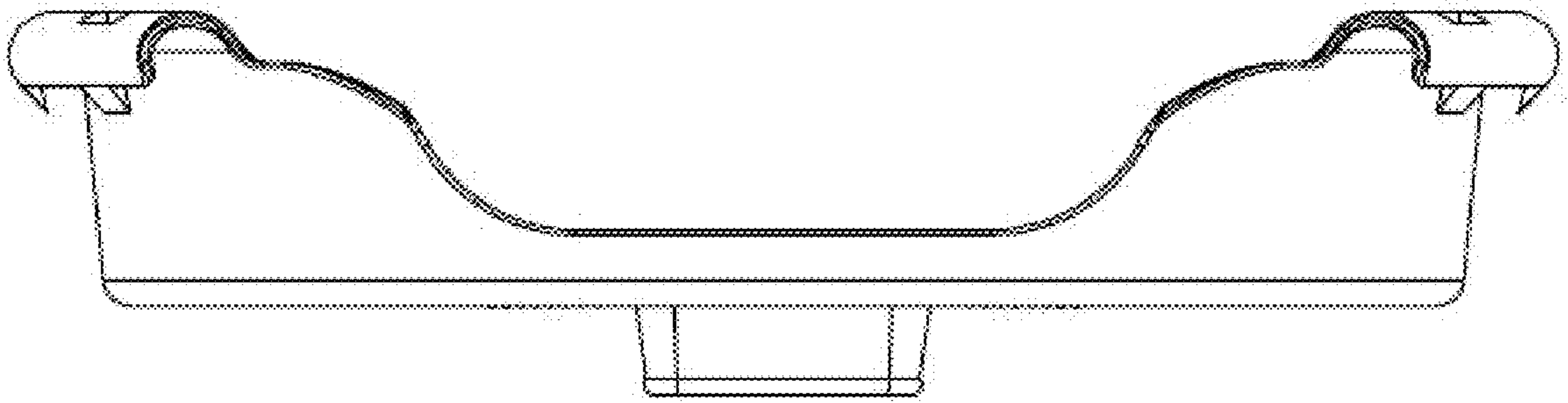
2.1



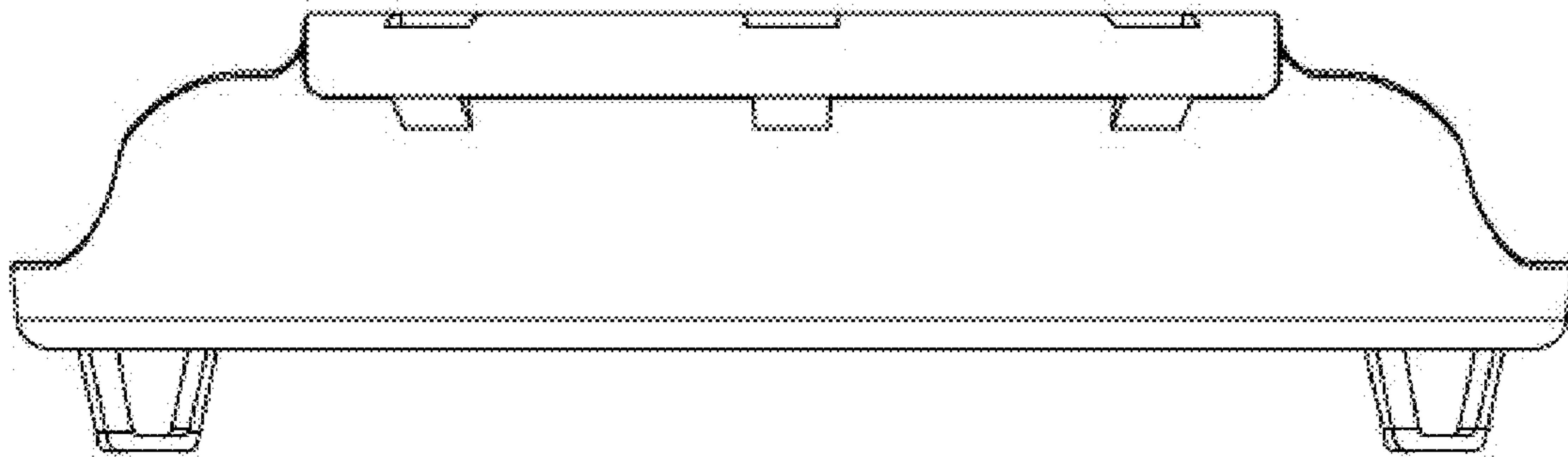
2.2



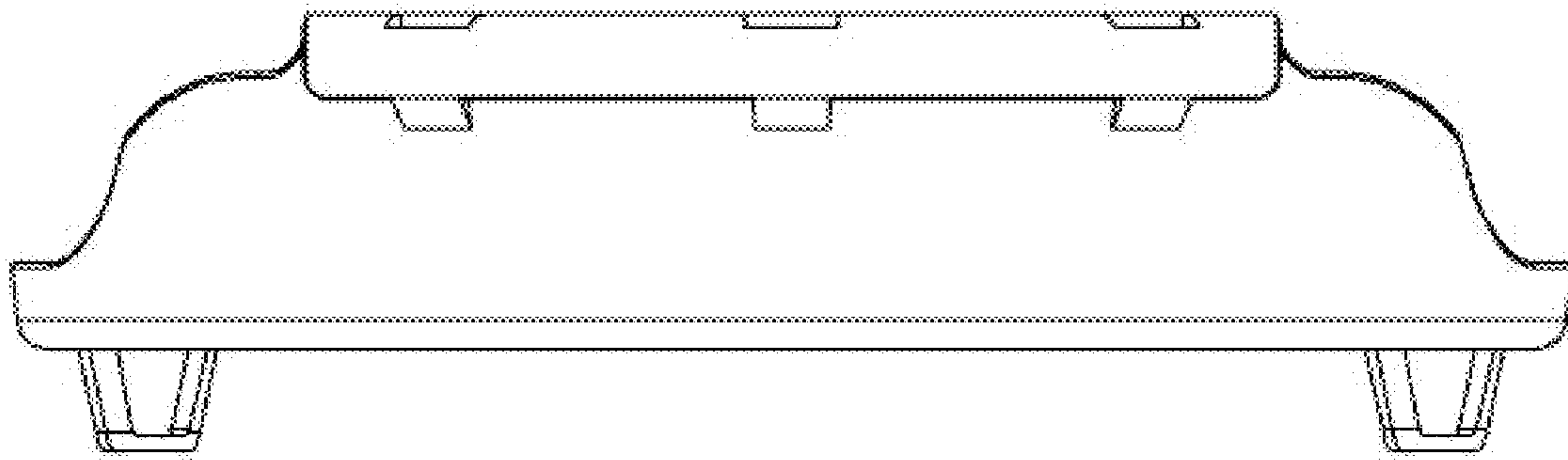
2.3



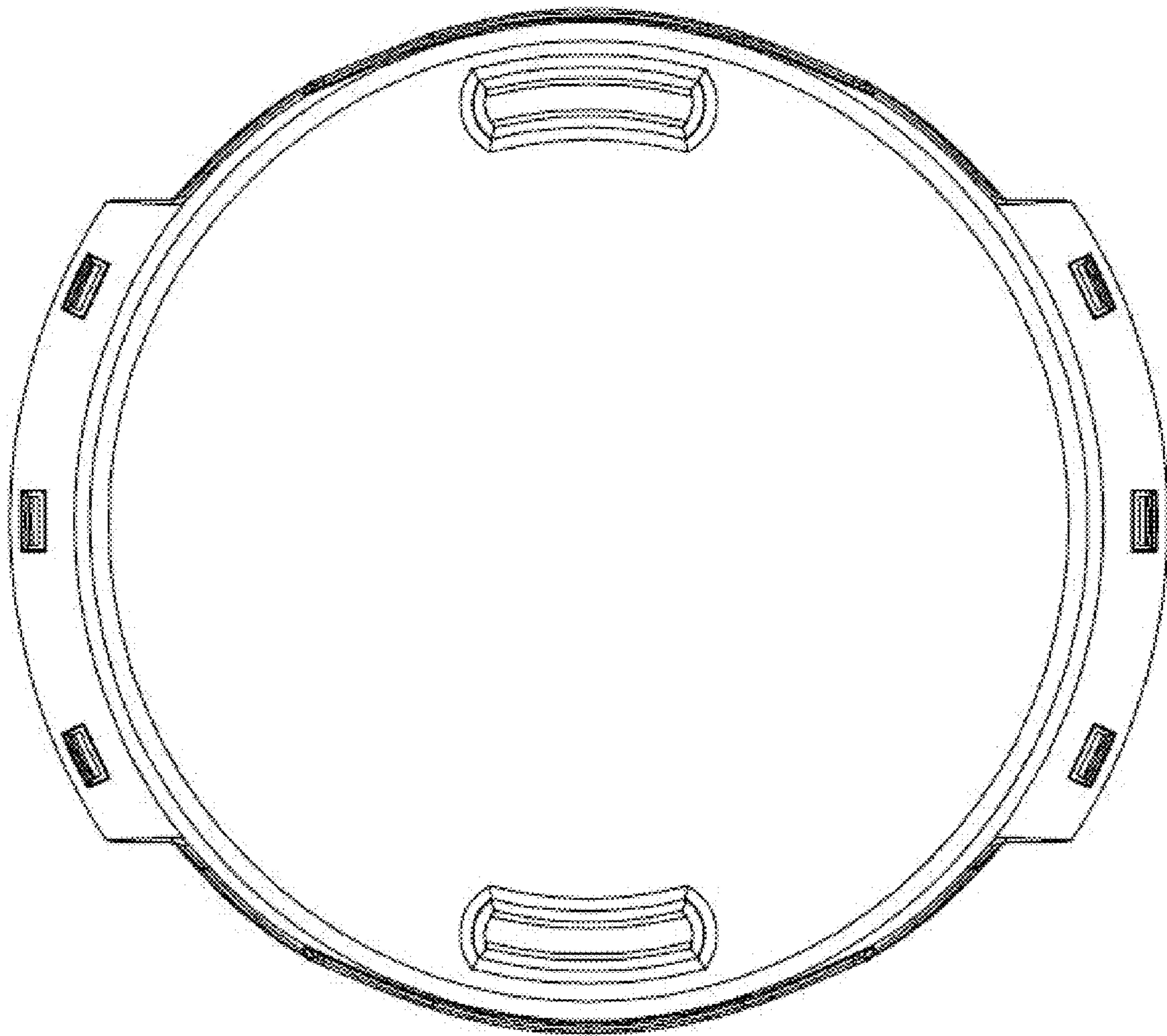
2.4



2.5



2.6



2.7

