



US00D943344S

(12) **United States Design Patent**
Li et al.

(10) **Patent No.:** **US D943,344 S**
(45) **Date of Patent:** **** Feb. 15, 2022**

- (54) **LID FOR INSULATED CUP**
- (71) Applicants: **Yan Li**, Shenzhen (CN); **Weijian Yuan**, Shenzhen (CN)
- (72) Inventors: **Yan Li**, Shenzhen (CN); **Weijian Yuan**, Shenzhen (CN)
- (73) Assignee: **SHENZHEN QIANHAI JUNLIAN NETWORK TECHNOLOGY CO., LTD.**, Shenzhen (CN)
- (**) Term: **15 Years**
- (21) Appl. No.: **29/752,321**
- (22) Filed: **Sep. 26, 2020**
- (51) **LOC (13) Cl.** **07-99**
- (52) **U.S. Cl.**
USPC **D7/392.1; D7/396.2; D9/443; D9/450**
- (58) **Field of Classification Search**
USPC D9/414, 434-436, 438-440, 443-457, D9/499, 503-505, 682, 685, 686, 906; D7/378, 387, 391, 392, 392.1, D7/396.2-396.4, 401.1, 507, 509-511, D7/538, 589, 700, 900; D3/202, 203.2, D3/318; D28/91.1
CPC .. A61J 1/00; A61J 1/1412; B65D 1/00; B65D 1/02; B65D 1/10; B65D 1/46; B65D 5/46; B65D 41/00; B65D 41/38; B65D 41/56; B65D 41/62; B65D 47/00; B65D 47/06; B65D 47/08; B65D 2251/00; B65D 2543/00046; B65D 2543/00092; B65D 2543/00296; B65D 2585/56; B65D 2585/545
See application file for complete search history.

(56) **References Cited**

U.S. PATENT DOCUMENTS

- D700,014 S * 2/2014 Zeanah D7/510
- 8,668,106 B1 * 3/2014 Joy B65D 47/305
220/254.3

- D747,136 S * 1/2016 Lane D7/396.2
- D799,320 S * 10/2017 Goodwin D9/449
- D814,855 S * 4/2018 Hammer D7/392.1
- D870,508 S * 12/2019 Palkon D9/443
- D885,120 S * 5/2020 Yao D7/392
- D886,514 S * 6/2020 Kander
- D887,776 S * 6/2020 Bo D7/392.1
- D893,245 S * 8/2020 Zhang D7/392.1
- D894,671 S * 9/2020 Huang D9/450
- D896,573 S * 9/2020 Wu D9/447
- D896,574 S * 9/2020 Wang D7/392.1
- D897,760 S * 10/2020 Feng D7/392.1
- D897,761 S * 10/2020 Zhang D7/392.1
- D899,181 S * 10/2020 Xie D7/396.2
- D900,538 S * 11/2020 Yao D7/392.1
- D900,539 S * 11/2020 Yao D9/443
- D903,404 S * 12/2020 Bram D9/449
- D903,405 S * 12/2020 Zhang D7/392.1
- D905,498 S * 12/2020 Zhang D7/392.1
- D905,499 S * 12/2020 Zhang D7/392.1

(Continued)

Primary Examiner — Wendy L Arminio

(74) *Attorney, Agent, or Firm* — Justin Lampel

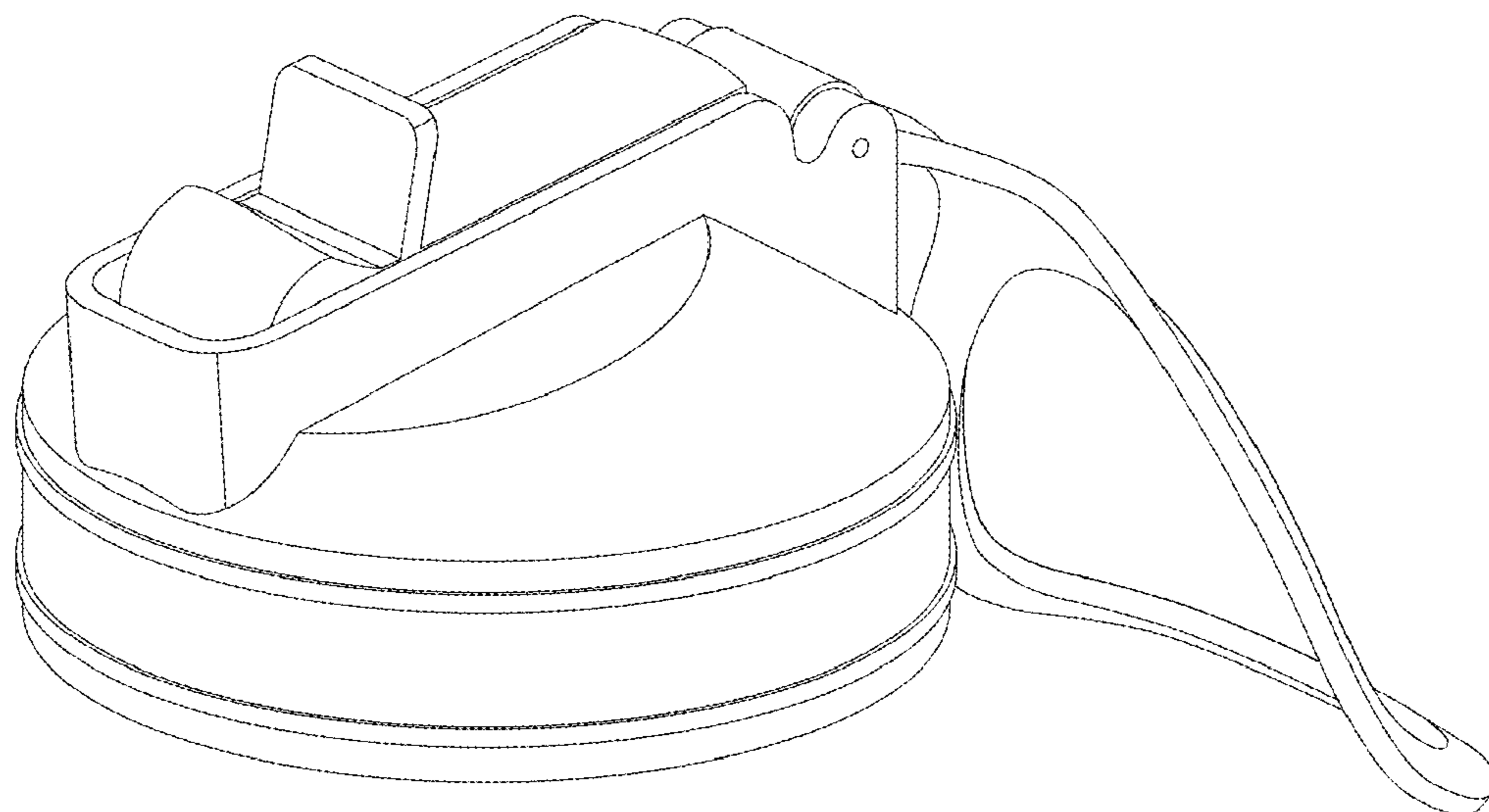
(57) **CLAIM**

The ornamental design for a lid for insulated cup, as shown and described.

DESCRIPTION

FIG. 1 is a perspective view of a lid for insulated cup showing the claimed design;
 FIG. 2 is a top plan view thereof;
 FIG. 3 is a left side view thereof;
 FIG. 4 is a rear elevational view thereof;
 FIG. 5 is a right side view thereof;
 FIG. 6 is a front elevational view thereof; and,
 FIG. 7 is a bottom plan view thereof.
 The broken lines illustrate portions of the lid for insulated cup that form no part of the claimed design.

1 Claim, 7 Drawing Sheets



(56)

References Cited

U.S. PATENT DOCUMENTS

| | | | | | |
|------------|---|---------|------|-------|----------|
| D906,042 S | * | 12/2020 | Chen | | D7/392.1 |
| D911,100 S | * | 2/2021 | Chen | | D7/392.1 |
| D911,101 S | * | 2/2021 | Fang | | D7/392.1 |
| D916,560 S | * | 4/2021 | Wu | | D7/392.1 |
| D917,953 S | * | 5/2021 | Yao | | D7/392 |
| D917,956 S | * | 5/2021 | Yao | | D7/392 |
| D920,041 S | * | 5/2021 | Chen | | D7/396.2 |
| D922,135 S | * | 6/2021 | Chen | | D7/392.1 |
| D922,819 S | * | 6/2021 | Wang | | D7/392.1 |
| D923,394 S | * | 6/2021 | Gu | | D7/392.1 |
| D923,396 S | * | 6/2021 | Lin | | D7/392.1 |
| D924,000 S | * | 7/2021 | Chen | | D7/392.1 |
| D924,626 S | * | 7/2021 | Wang | | D7/392.1 |

* cited by examiner

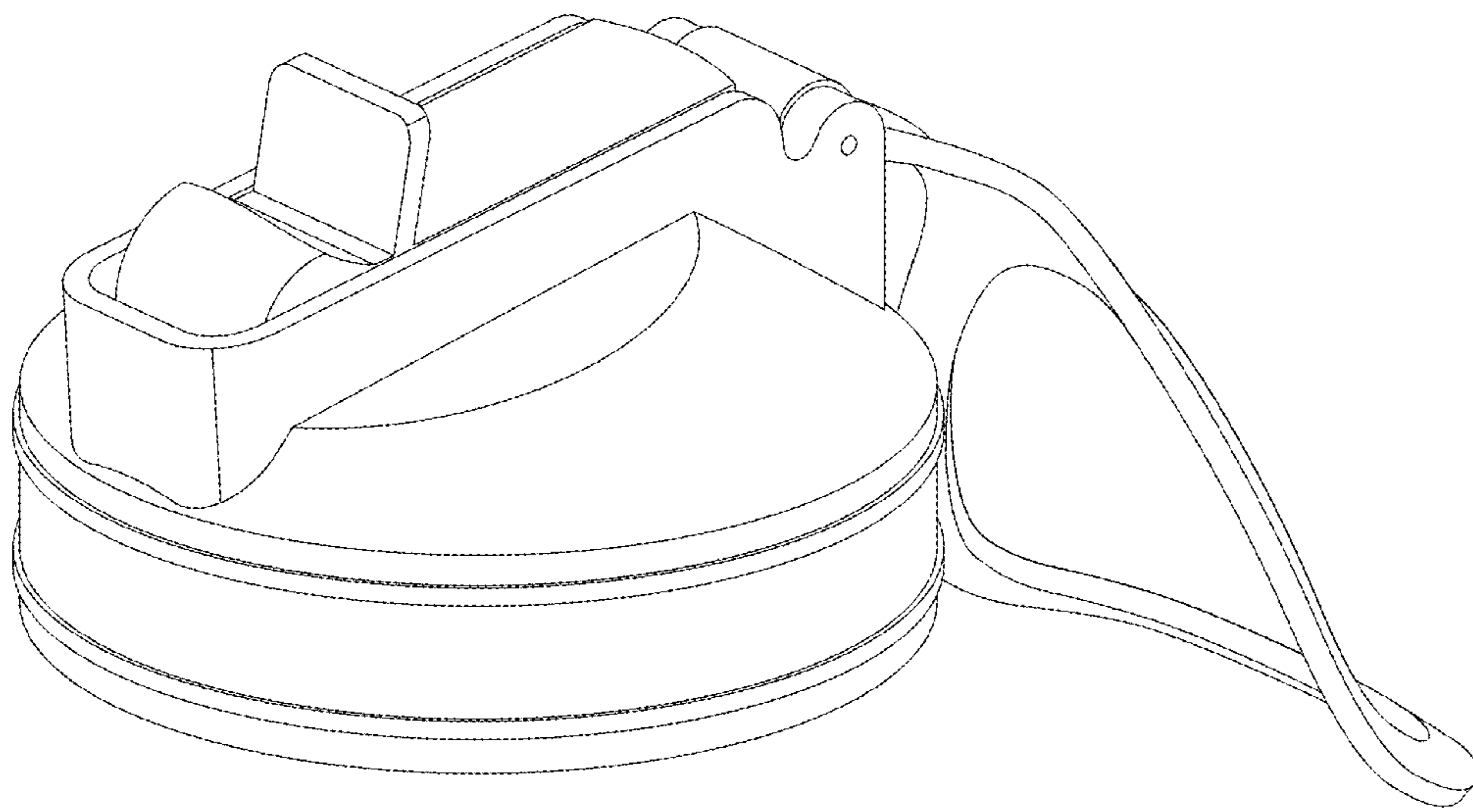


FIG.1

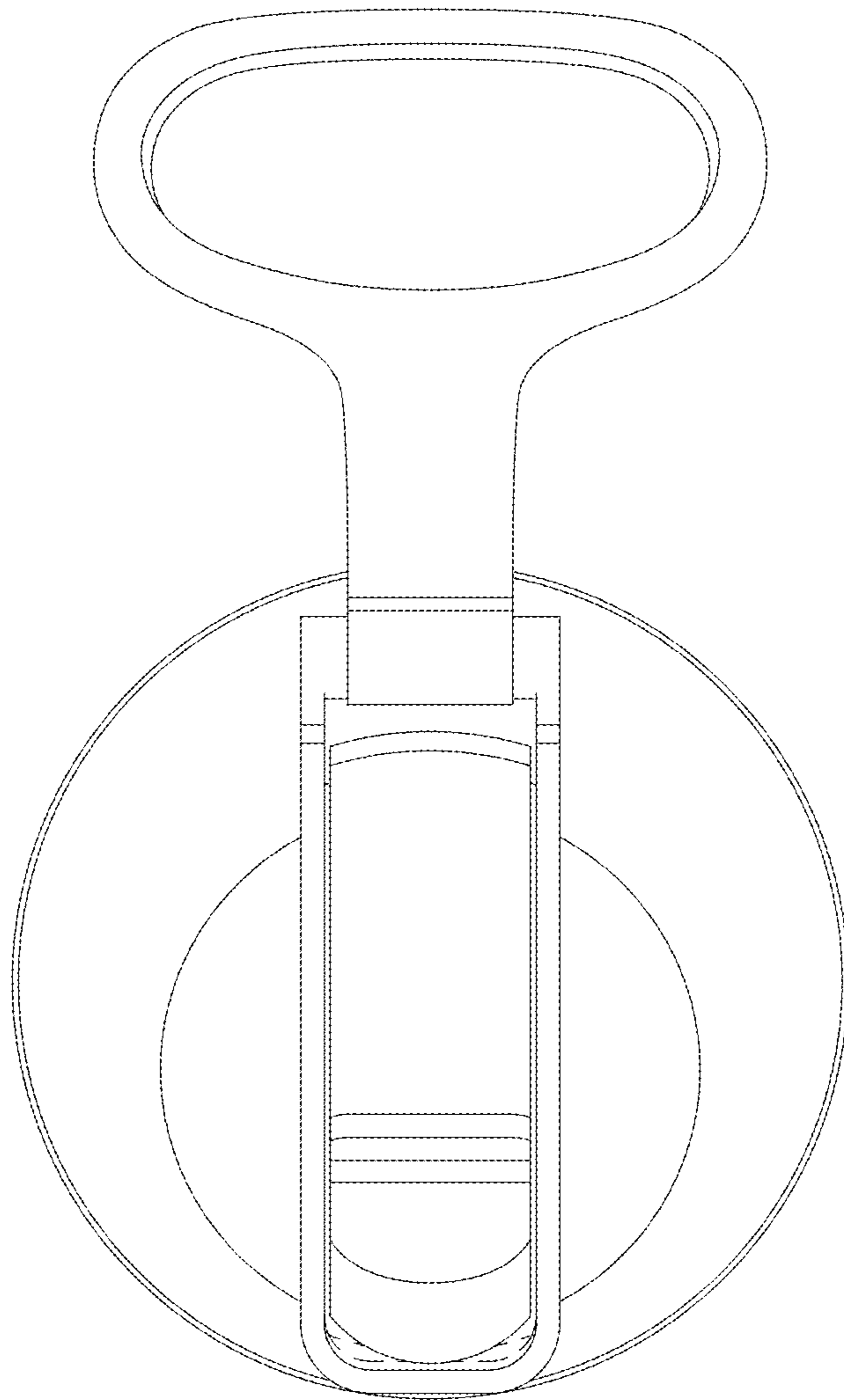


FIG.2

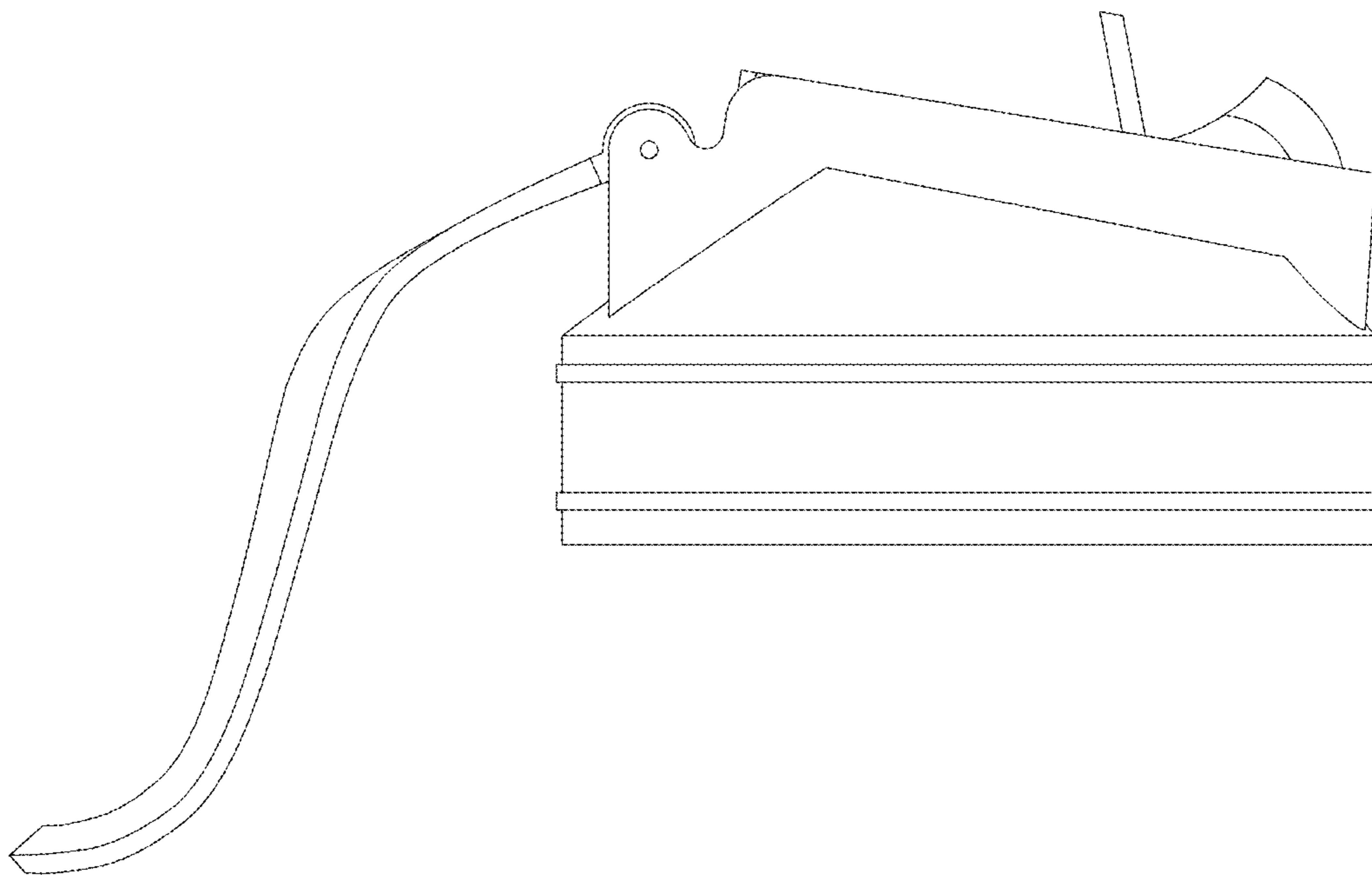


FIG.3

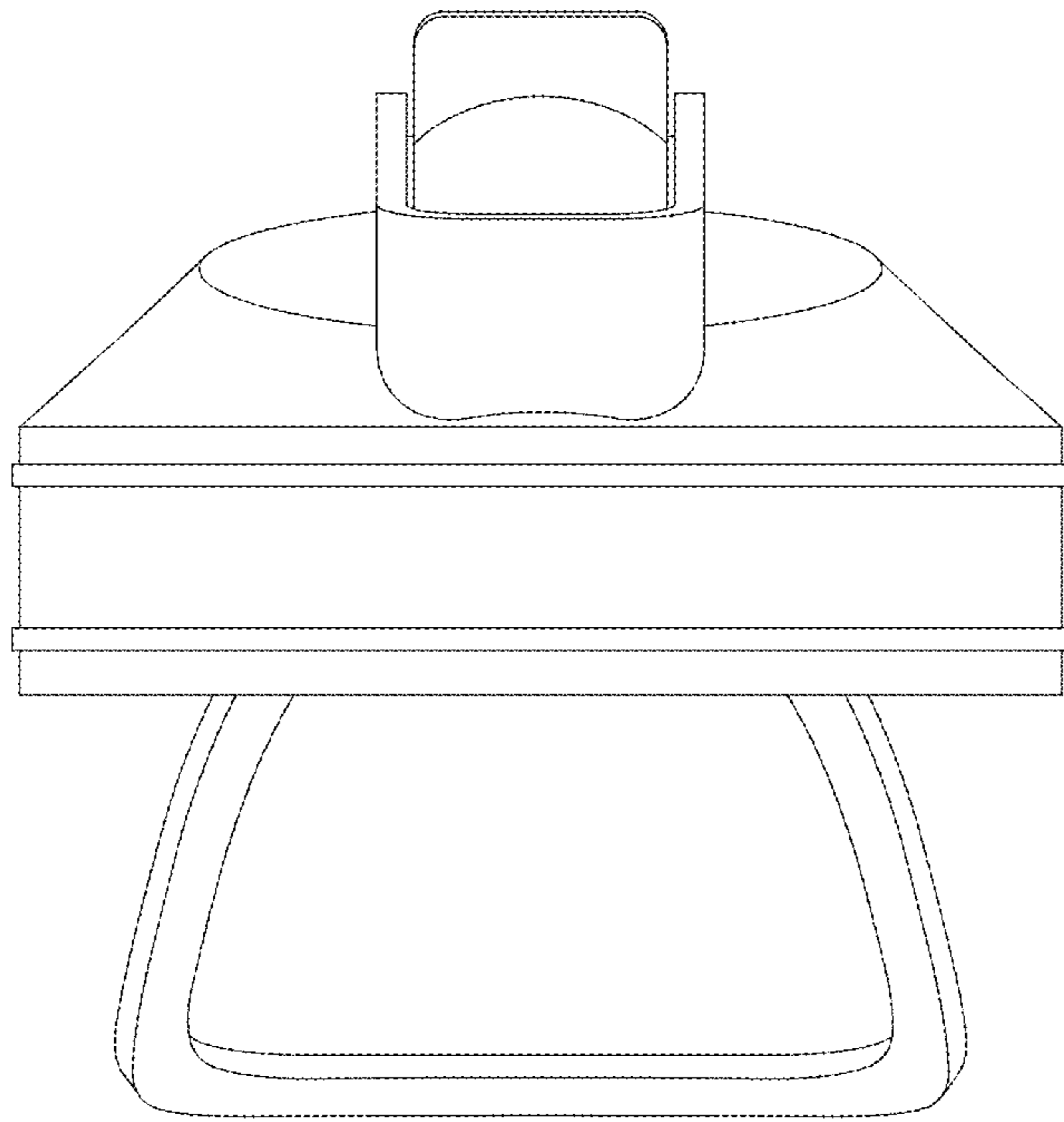


FIG.4

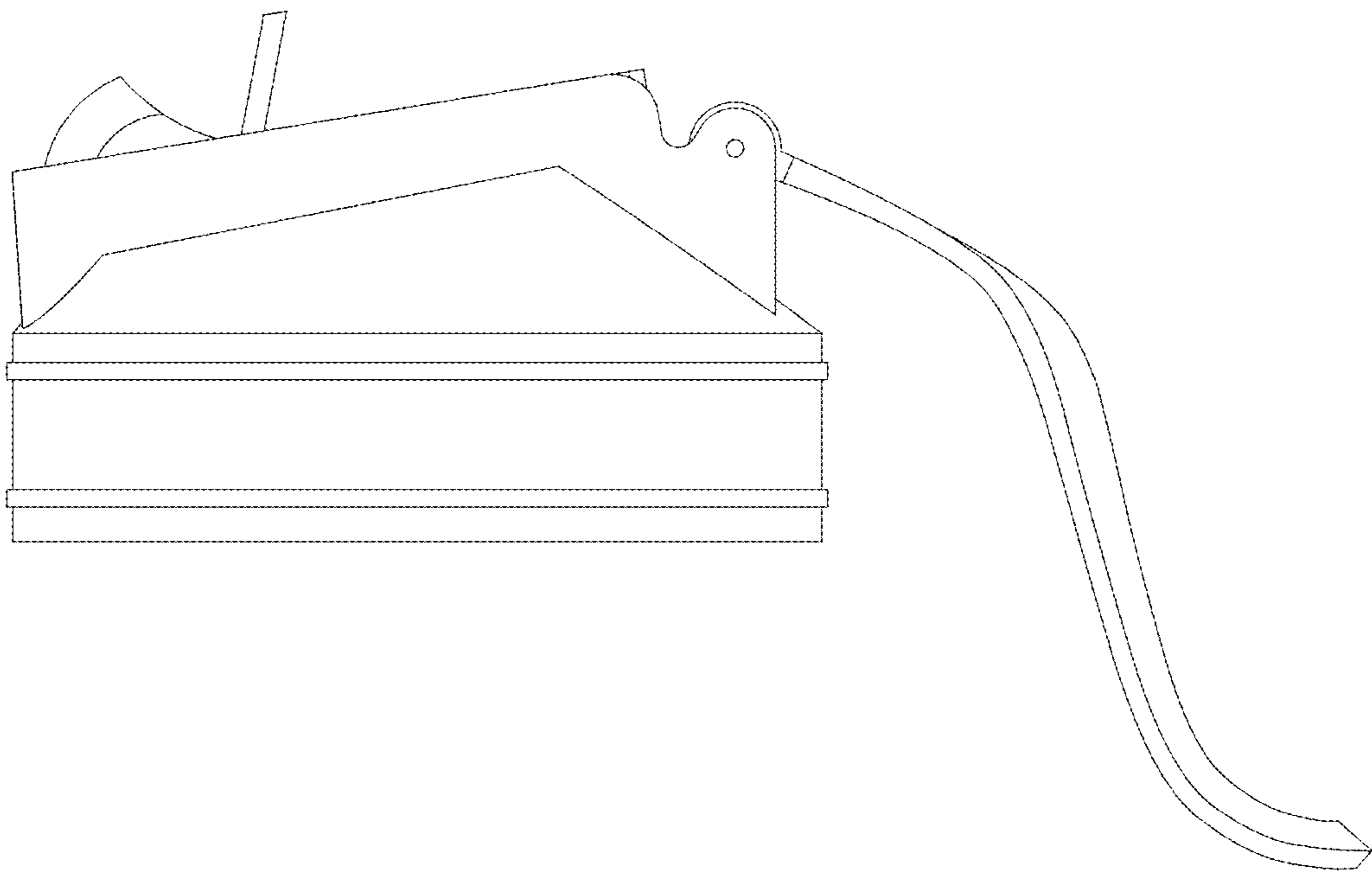


FIG.5

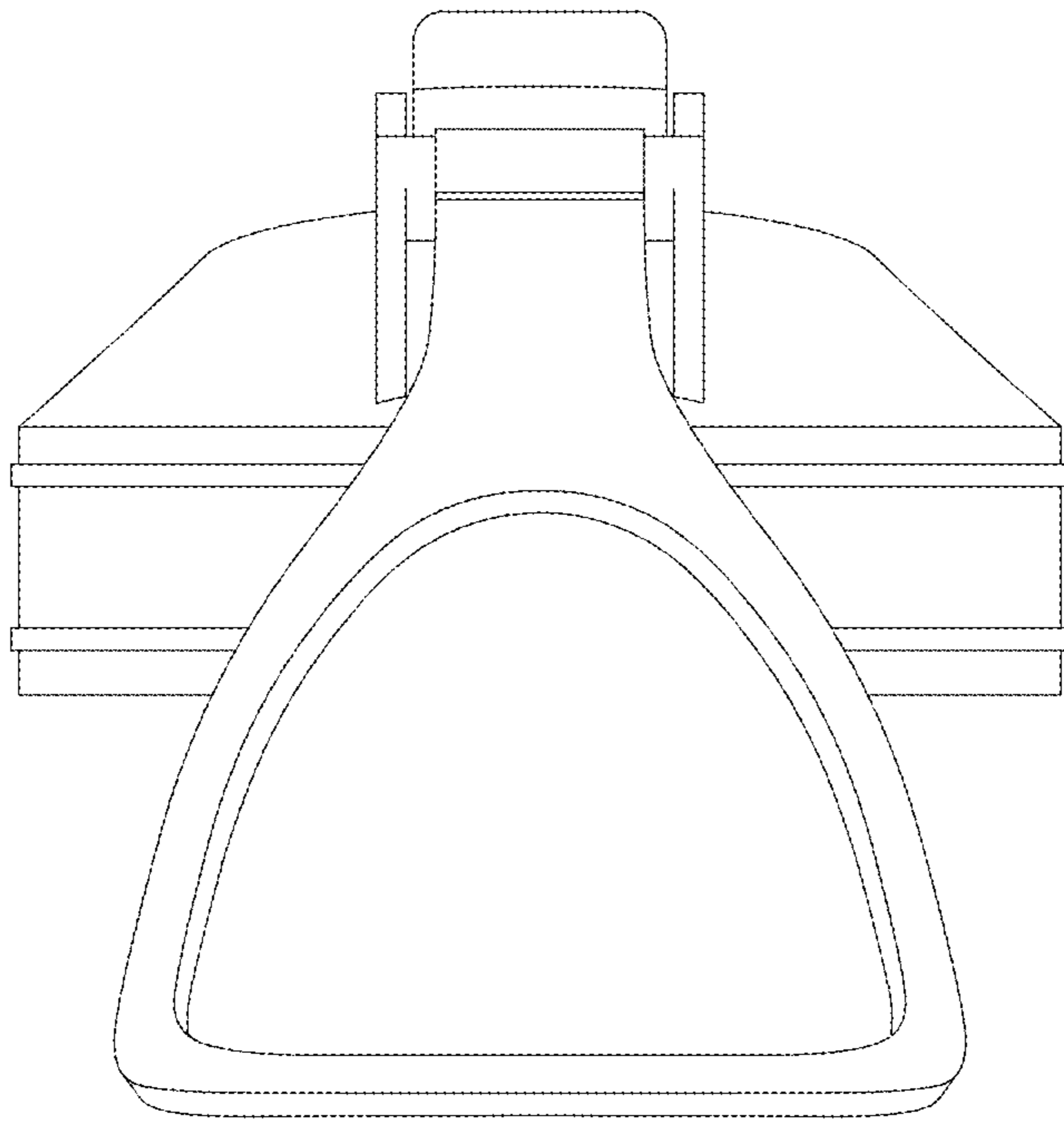


FIG.6

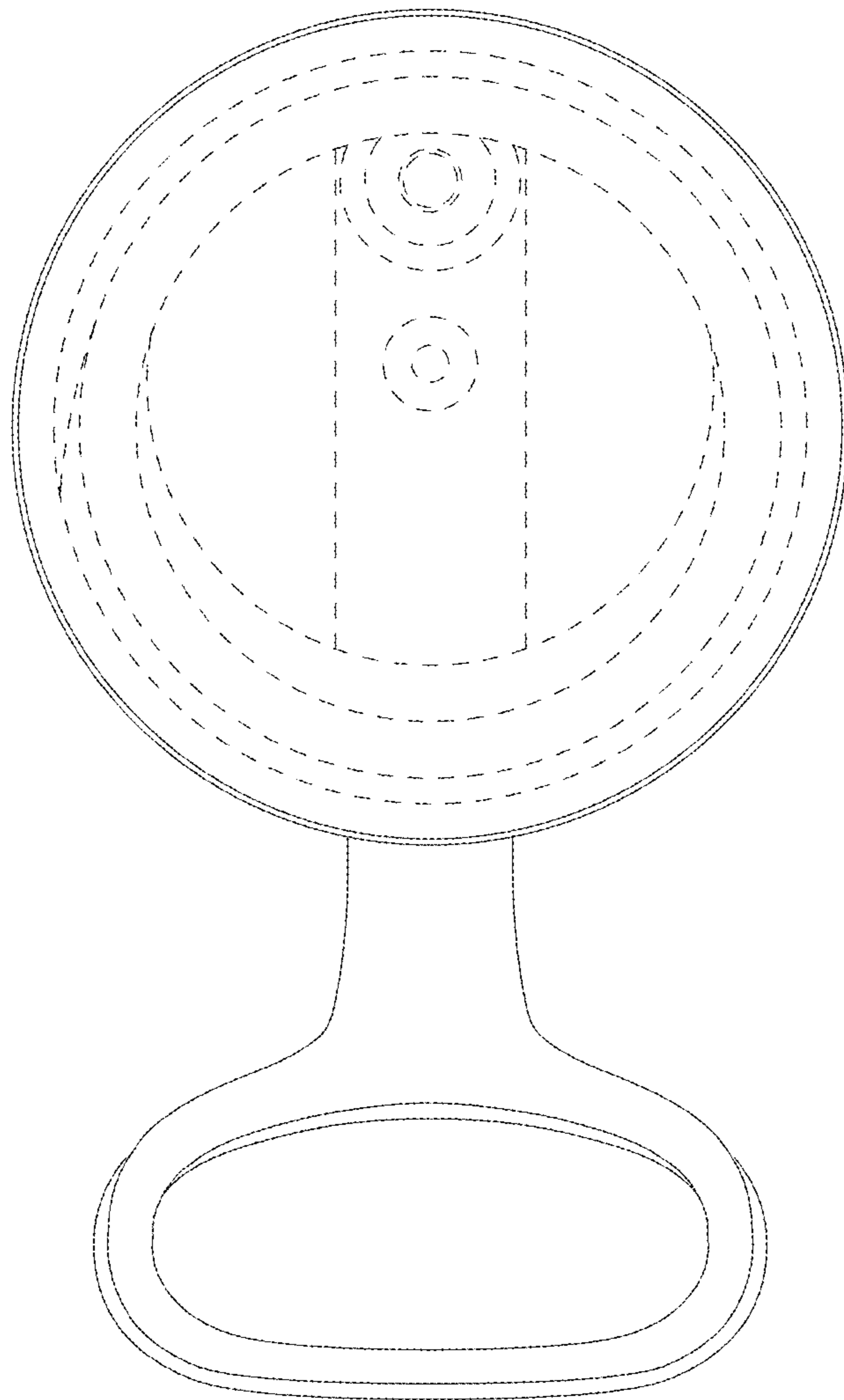


FIG. 7