



US00D943342S

(12) **United States Design Patent**
Hao

(10) **Patent No.:** **US D943,342 S**

(45) **Date of Patent:** **** Feb. 15, 2022**

(54) **BOTTLE CAP**

(71) Applicant: **Junjie Hao**, Guangdong (CN)

(72) Inventor: **Junjie Hao**, Guangdong (CN)

(73) Assignee: **Shenzhen MLife Household Products Co., Ltd.**, Guangdong (CN)

(**) Term: **15 Years**

(21) Appl. No.: **29/739,118**

(22) Filed: **Jun. 23, 2020**

(51) **LOC (13) Cl.** **09-07**

(52) **U.S. Cl.**
USPC **D7/392.1; D9/443; D7/396.2**

(58) **Field of Classification Search**
USPC D9/439, 440, 442-449, 682, 685, 686,
D9/435, 450, 454; D6/515; D7/507,
D7/509-511, 523, 391, 392, 392.1, 396.2
CPC B65D 83/205; B65D 83/206; B65D 83/40;
B65D 2543/00046; A47G 19/2272
See application file for complete search history.

(56) **References Cited**

U.S. PATENT DOCUMENTS

8,297,462	B1 *	10/2012	Joyce	A45F 3/18 220/254.5
D688,093	S *	8/2013	Roth	D7/392.1
D830,772	S *	10/2018	Rosette	D7/510
D835,938	S *	12/2018	Zou	D7/392.1
D844,376	S *	4/2019	Rosette	D7/392
D857,445	S *	8/2019	Keung	D7/392.1
D885,131	S *	5/2020	Wang	D7/510
D886,518	S *	6/2020	Li	D7/392.1

D892,558	S *	8/2020	Wang	D7/510
D896,024	S *	9/2020	Wang	D7/392.1
D903,418	S *	12/2020	Hu	D7/510
D905,498	S *	12/2020	Zhang	D7/392.1
D921,424	S *	6/2021	Chen	D7/392.1
D922,135	S *	6/2021	Chen	D7/392.1
D923,409	S *	6/2021	Backs	D7/511
2017/0196384	A1 *	7/2017	Shen	B65D 51/242

FOREIGN PATENT DOCUMENTS

CN 301456810 * 2/2011

* cited by examiner

Primary Examiner — Brett Miller

Assistant Examiner — Rani J Abdallah

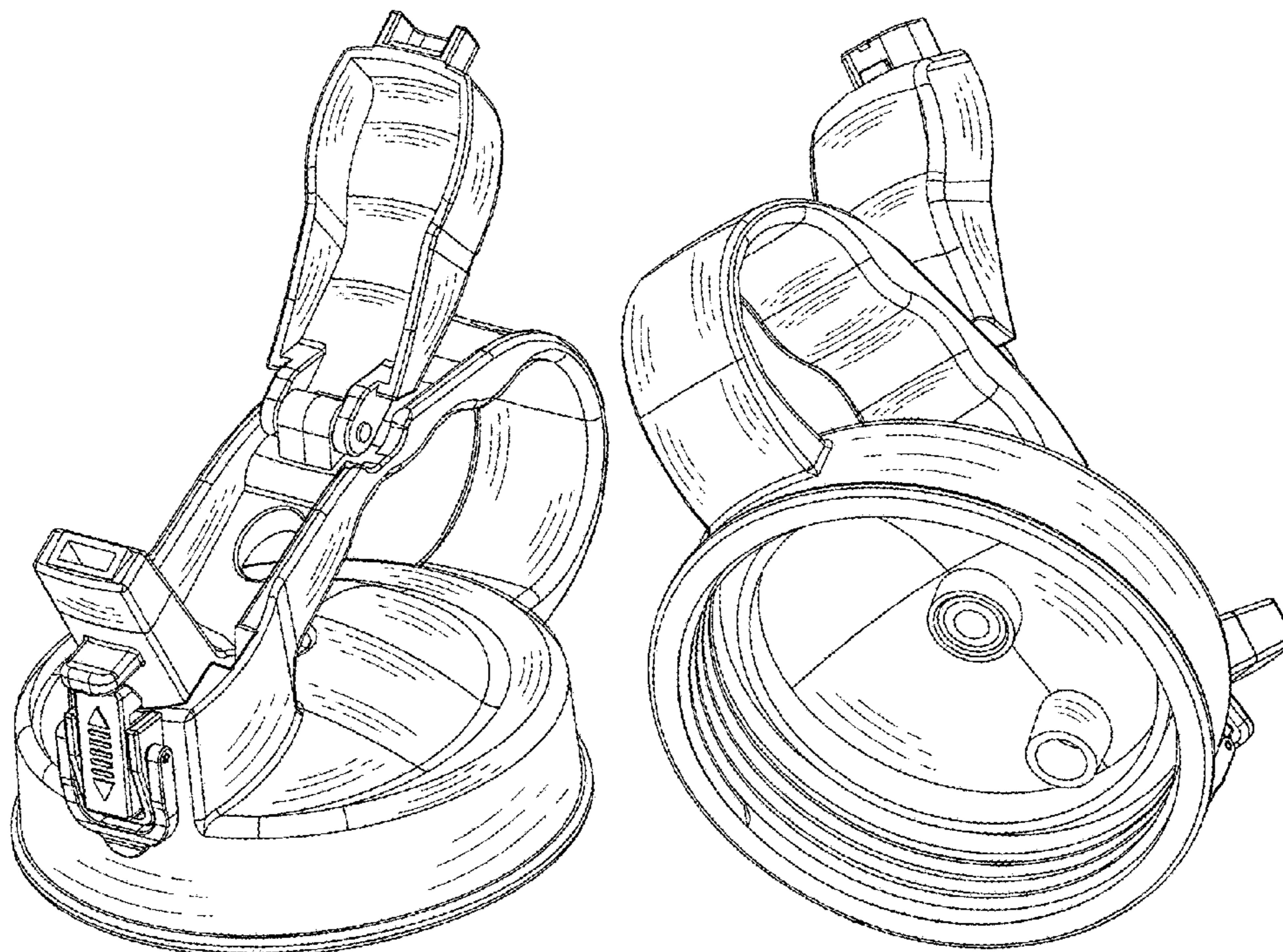
(57) **CLAIM**

The ornamental design for a bottle cap, as shown and described.

DESCRIPTION

FIG. 1 is a top perspective view of a bottle cap showing my new design;
FIG. 2 is a bottom perspective view thereof;
FIG. 3 is a front elevation view thereof;
FIG. 4 is a rear elevation view thereof;
FIG. 5 is a left side elevation view thereof;
FIG. 6 is a right side elevation view thereof;
FIG. 7 is a top plan view thereof; and,
FIG. 8 is a bottom plan view thereof.
The broken lines shown illustrate portions of the bottle cap that form no part of the claimed design.

1 Claim, 8 Drawing Sheets



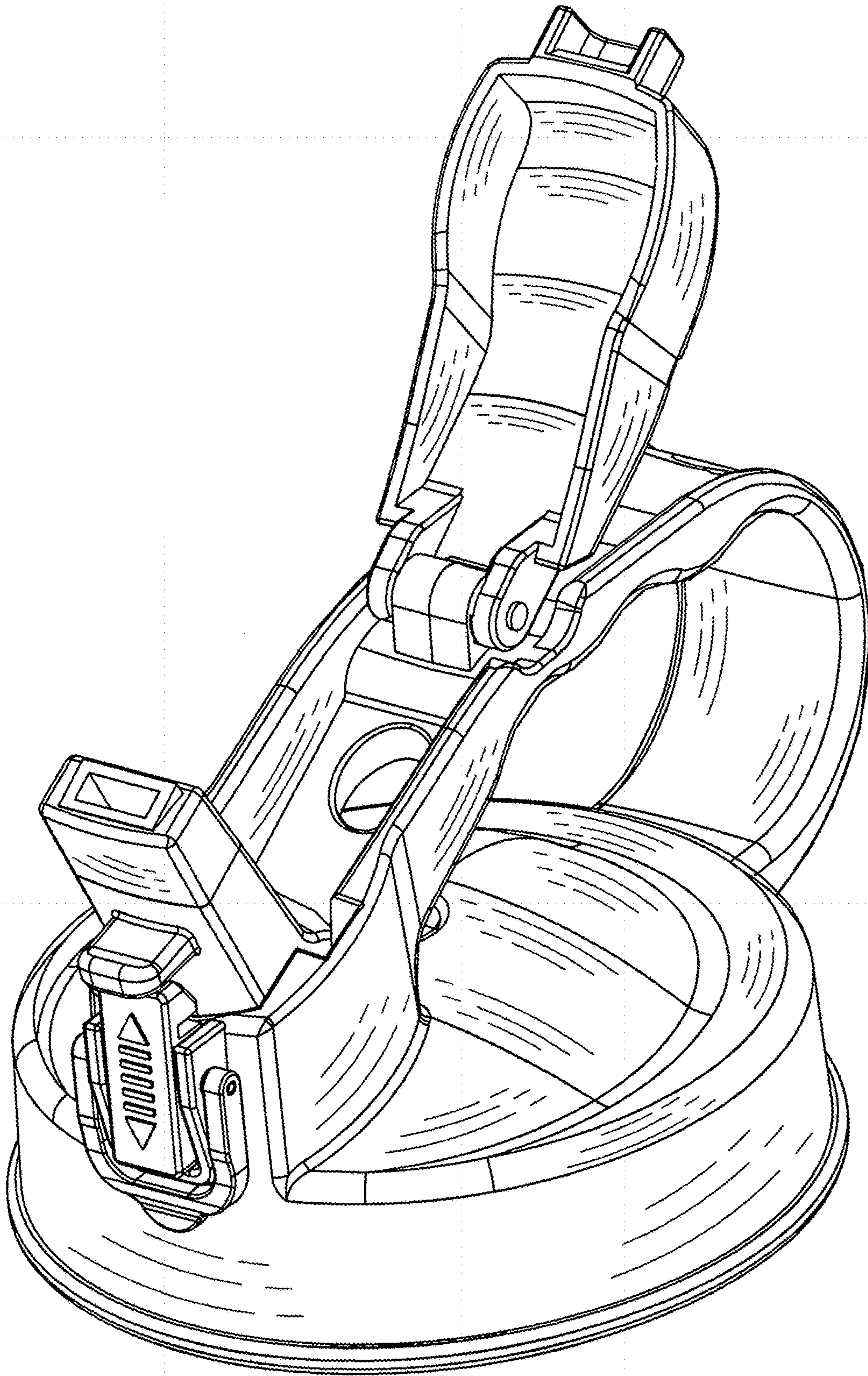


FIG. 1

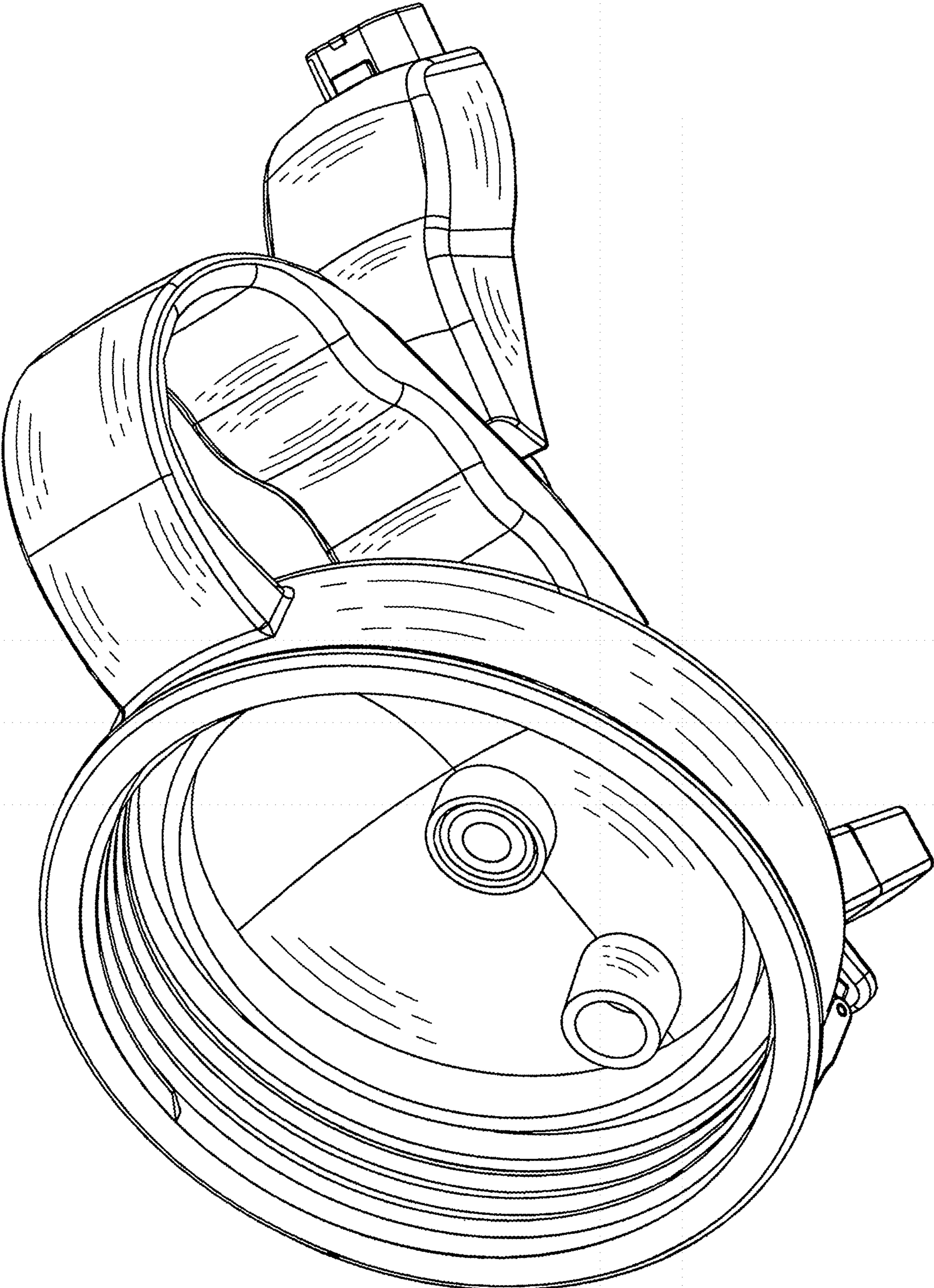


FIG. 2

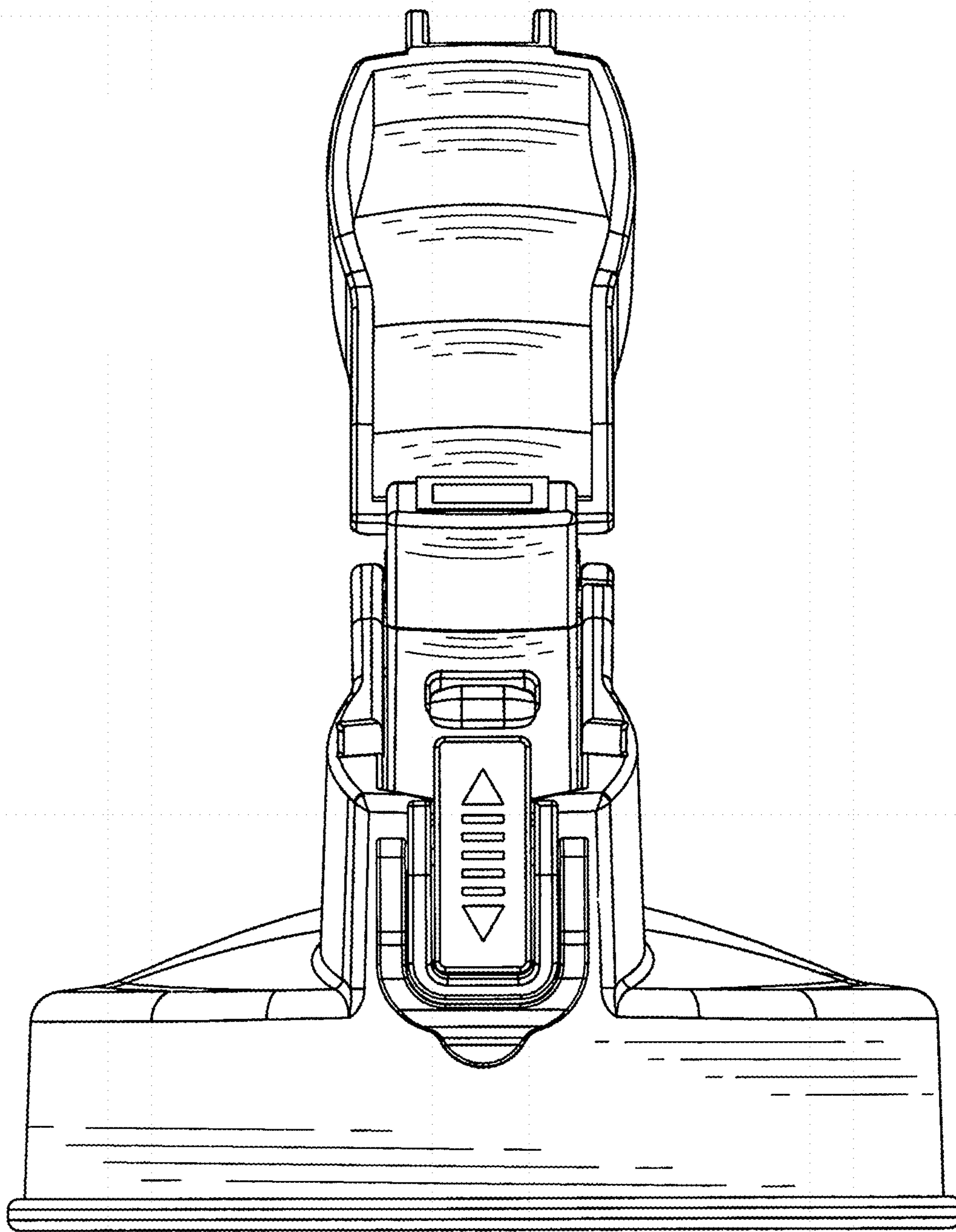


FIG. 3

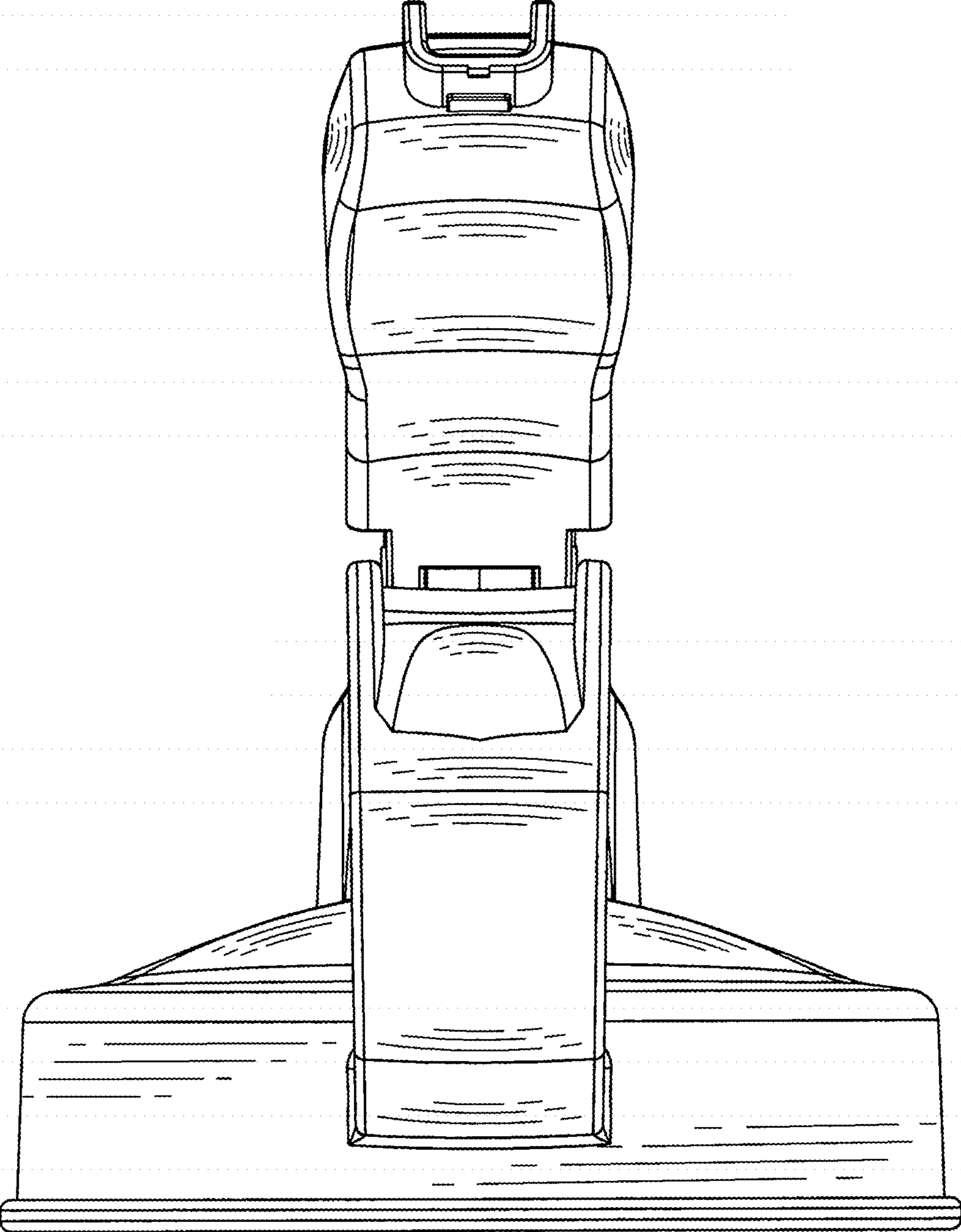


FIG. 4

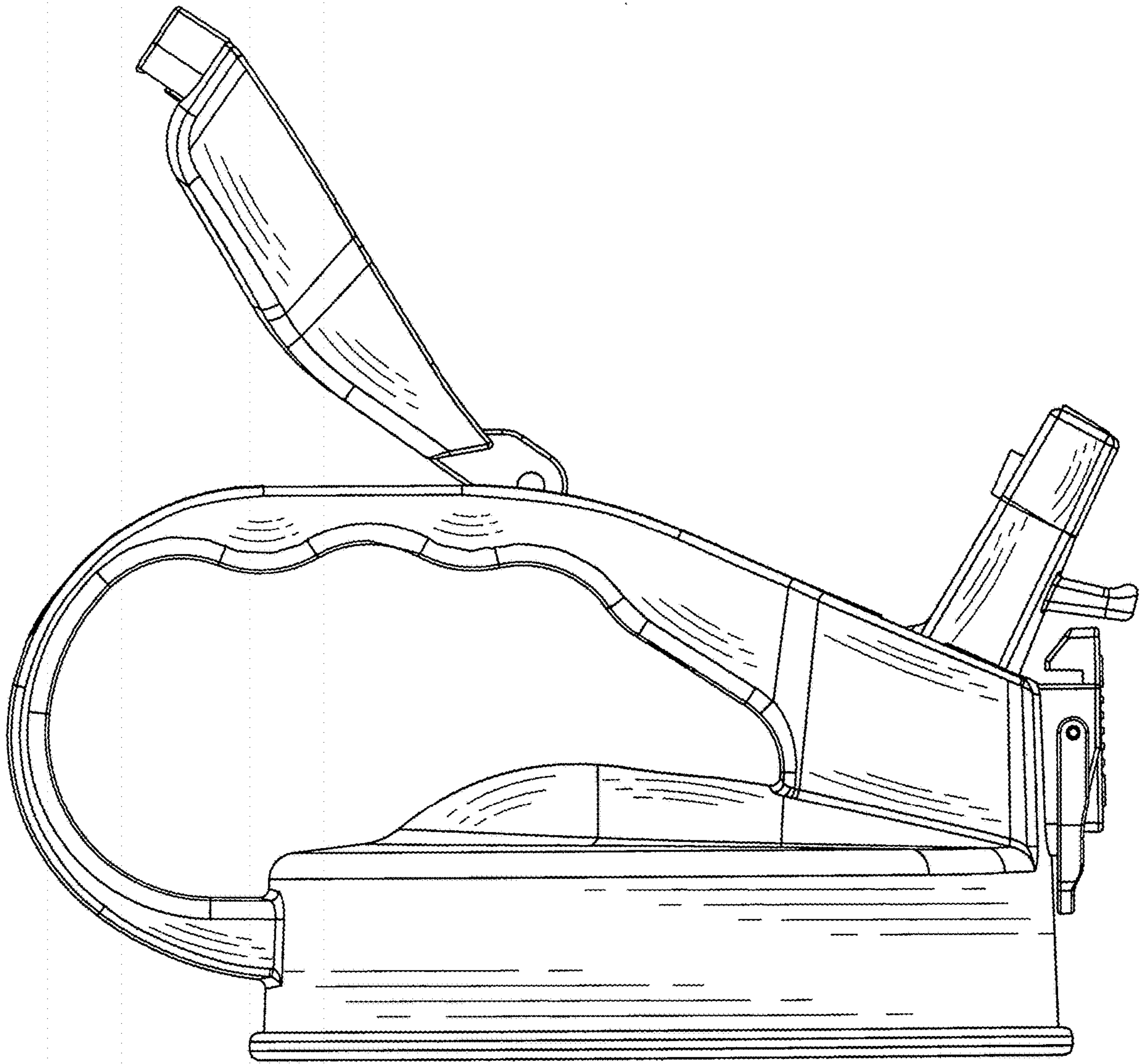


FIG. 5

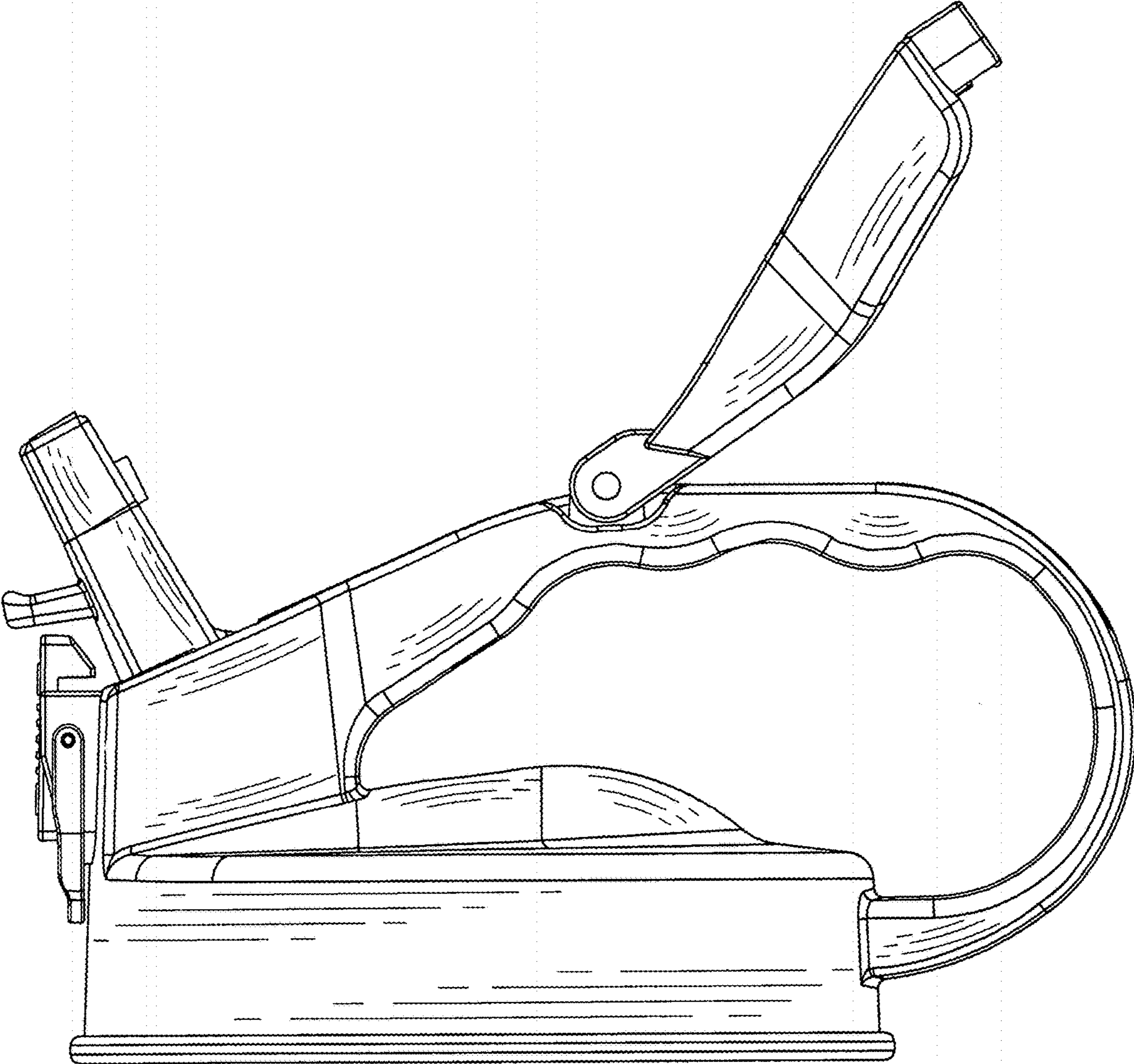


FIG. 6

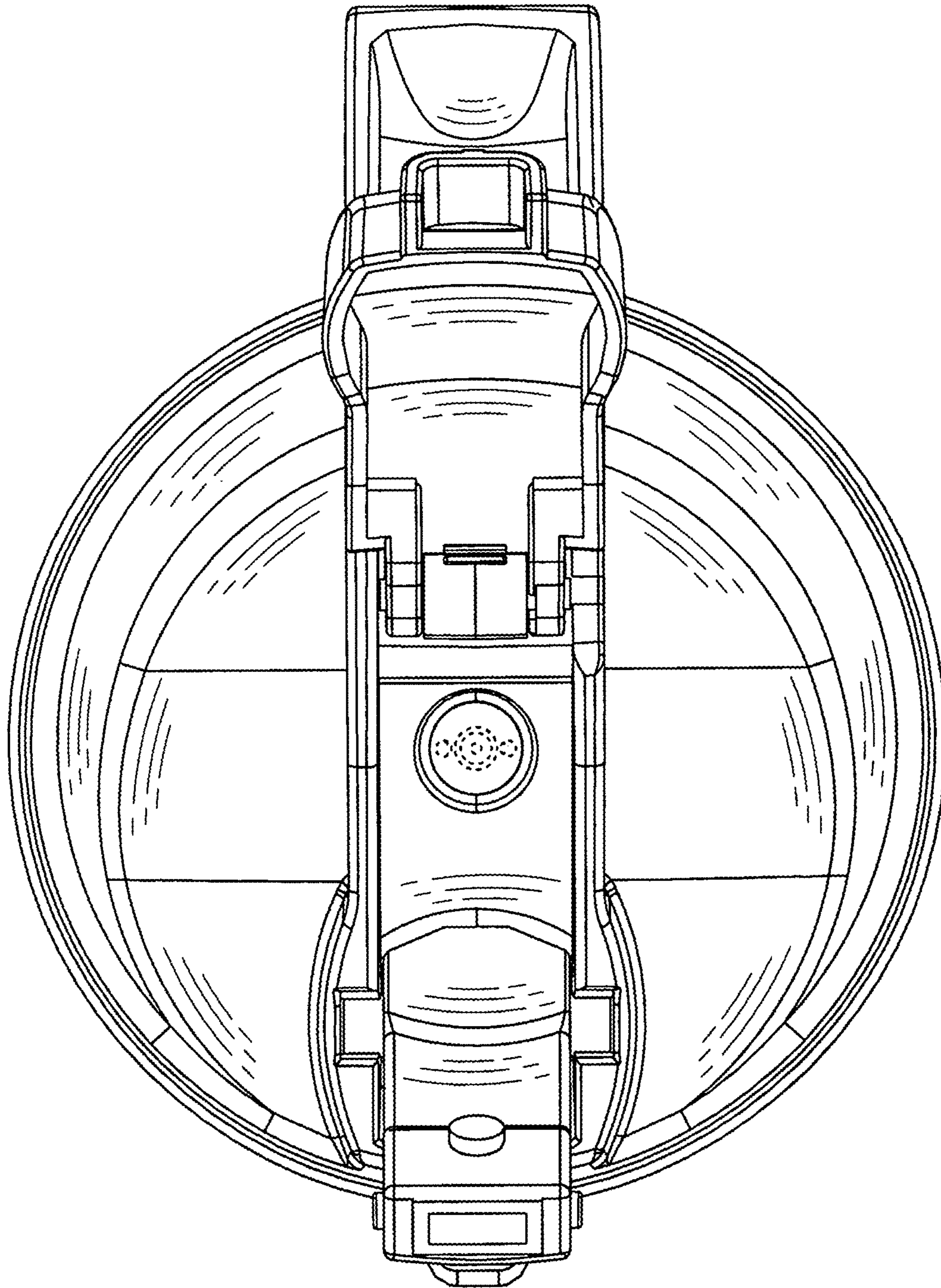


FIG. 7

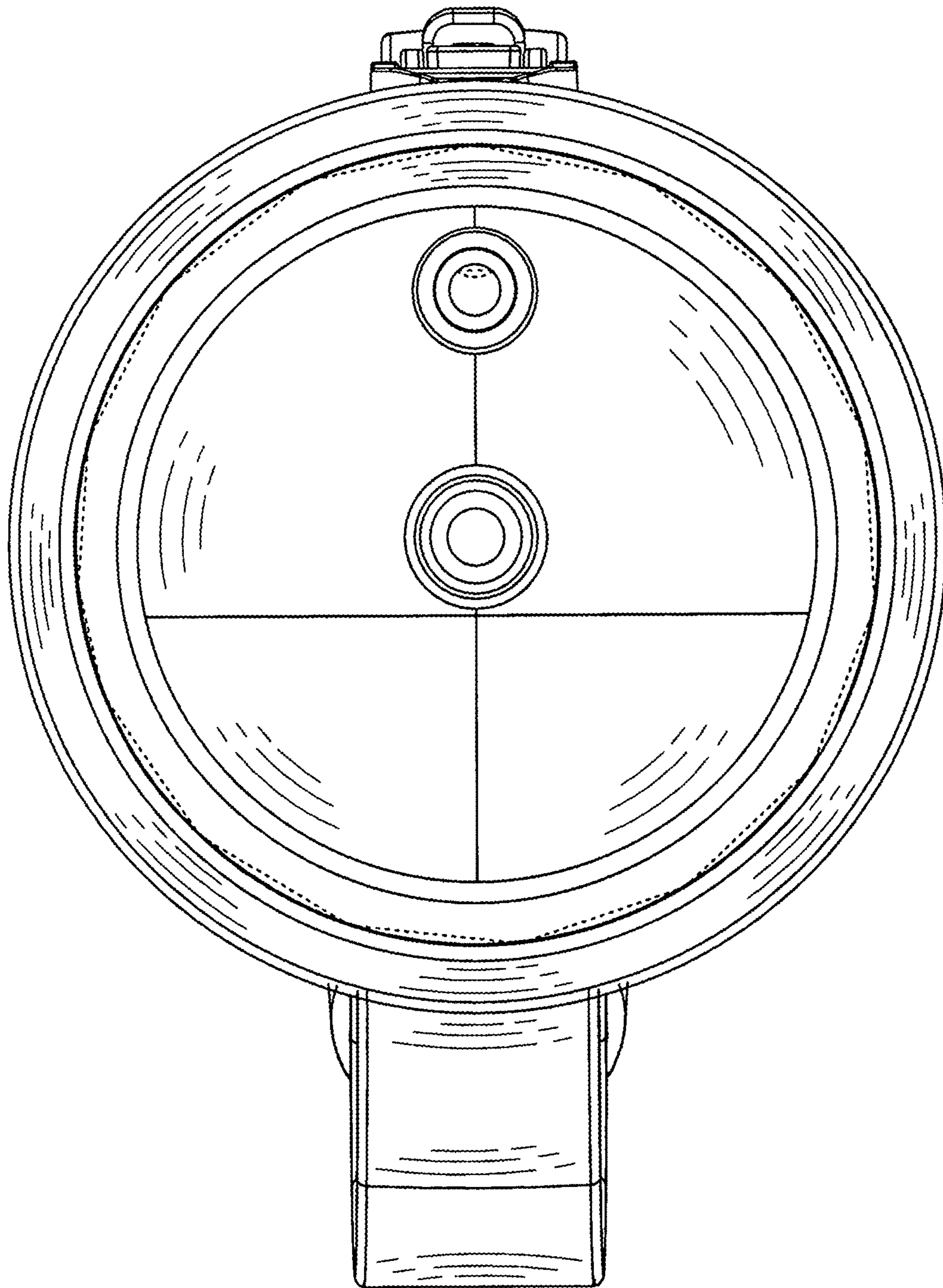


FIG. 8