



US00D943340S

(12) **United States Design Patent** (10) **Patent No.:** **US D943,340 S**
Manusrungsri et al. (45) **Date of Patent:** **** Feb. 15, 2022**

(54) **COCONUT PUNCTURING DEVICE**
(71) Applicant: **K Fresh Co., Ltd**, Samutprakarn (TH)
(72) Inventors: **Kemas Manusrungsri**, Samutprakarn (TH); **Waraporn Manusrungsri**, Samutprakarn (TH)
(73) Assignee: **K FRESH CO., LTD**, Samutprakarn (TH)
(**) Term: **15 Years**
(21) Appl. No.: **29/789,456**
(22) Filed: **Sep. 24, 2021**

Related U.S. Application Data

(62) Division of application No. 29/692,079, filed on May 22, 2019.

Foreign Application Priority Data

Nov. 23, 2018 (TH) 1802005070
Nov. 23, 2018 (TH) 1802005071
Mar. 20, 2019 (TH) 1902001085
Mar. 20, 2019 (TH) 1902001086

(51) **LOC (13) Cl.** **31-00**
(52) **U.S. Cl.**
USPC **D7/381**

(58) **Field of Classification Search**
USPC D7/372, 376-386, 398, 412-413, 602, D7/629, 665-666, 669, 679, 693-694
CPC A21C 1/02; A21C 1/04; A23L 2/04; A23N 1/00; A23N 1/02; A47J 19/02; A47J 43/04; A47J 43/24; A47J 43/25; A47J 43/26; A47J 43/27; A47J 43/042; A47J 43/044; A47J 43/046; A47J 43/075; A47J 43/0722; A47J 43/0727; B01F 3/00; B01F 3/0446; B01F 3/04744; B01F 3/0807; B01F 3/0853; B01F

(Continued)

(56) **References Cited**
U.S. PATENT DOCUMENTS
7,980,424 B2 7/2011 Johnson
8,627,975 B1 1/2014 Whitbeck et al.
(Continued)

OTHER PUBLICATIONS
Coco Taps Coconut Tapper. Date First Available on Amazon.com Feb. 22, 2016. <https://www.amazon.com/CocoTaps-Coconut-Opening-Sealing-Taps/dp/BO1C2A3E6M/ref> (Year: 2016).

Primary Examiner — Ricky Pham
(74) *Attorney, Agent, or Firm* — Innovation Capital Law Group, LLP; Vic Lin

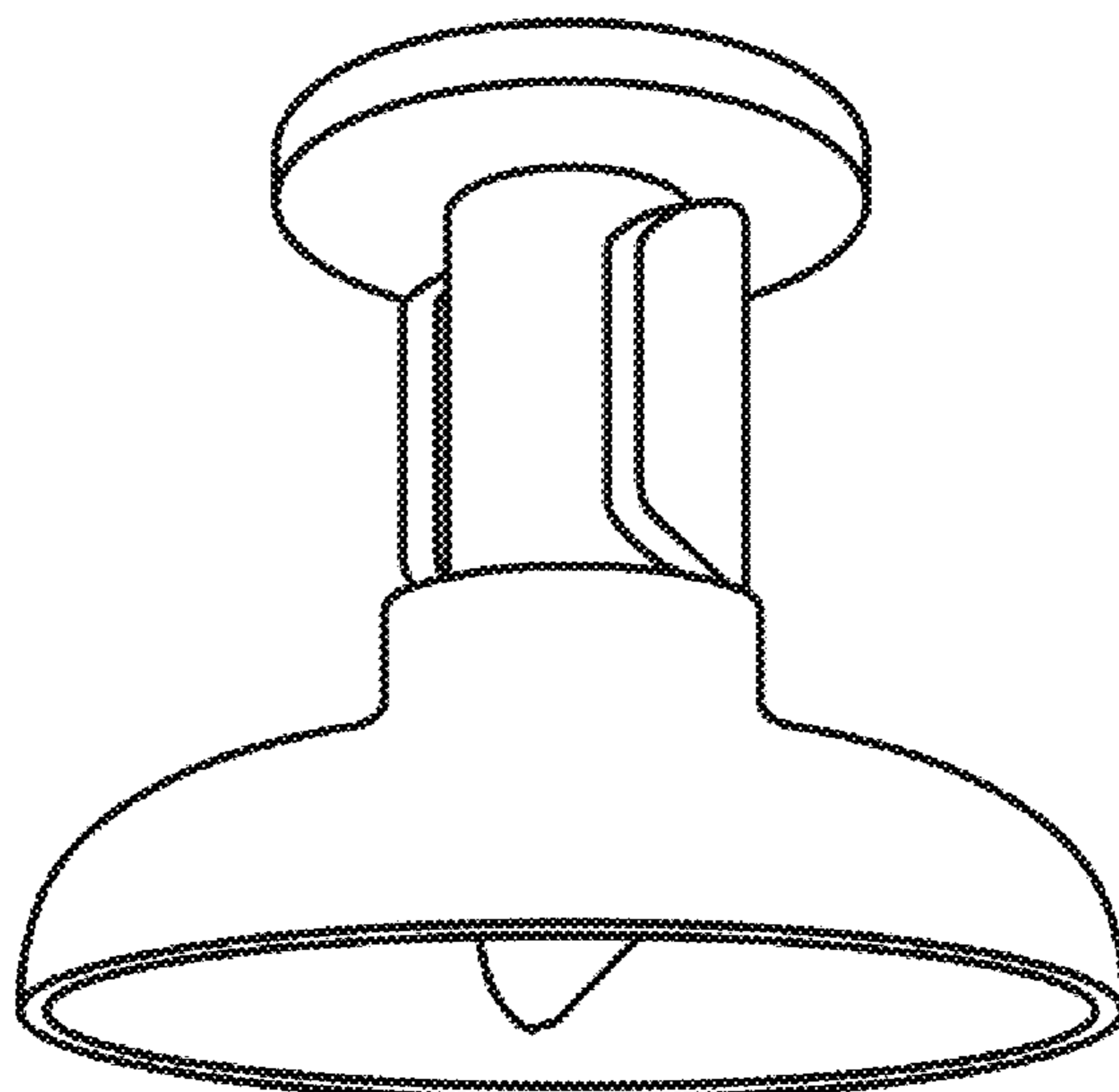
(57) **CLAIM**

The ornamental design for a coconut puncturing device, as shown and described.

DESCRIPTION

FIG. 1 is a front view of a coconut puncturing device; FIG. 2 is a left side view of the coconut puncturing device; FIG. 3 is a rear view of the coconut puncturing device; FIG. 4 is a top view of the coconut puncturing device; FIG. 5 is a bottom view of the coconut puncturing device; FIG. 6 is a perspective view of the coconut puncturing device; FIG. 7 is a right side view of the coconut puncturing device; FIG. 8 is a front view of the coconut puncturing device, illustrating disconnection of a puncture tube retraction maintenance member; and, FIG. 9 is a front view of the coconut puncturing device, illustrating disconnection of a puncture tube retraction maintenance member and movement of the puncture tube to a puncture position.

1 Claim, 9 Drawing Sheets



US D943,340 S

Page 2

(58) **Field of Classification Search**

CPC ... 13/0059; B01F 13/0064; B02C 1/08; B02C 2/04; B02C 4/42; B02C 4/142; B02C 4/143; B02C 4/423; B02C 13/1835; B28C 5/10; B28C 5/12; B28C 5/14; B28C 5/16; B30B 9/10; B65D 39/00; B65D 75/5877; B65D 77/067; B65D 77/068; B65D 5/747; B67B 7/26; B67C 9/00; B67D 3/047; A63B 57/203

See application file for complete search history.

(56)

References Cited

U.S. PATENT DOCUMENTS

10,179,677 B2 1/2019 Stever
D870,510 S 12/2019 Meadows et al.
10,609,939 B2 4/2020 Harding et al.
10,786,106 B2 9/2020 Kujawski

10,843,914 B1 11/2020 Weatherly
2010/0075782 A1* 3/2010 Stiles A63B 57/203
473/386
2012/0267393 A1* 10/2012 Pritchard B65D 77/067
222/92
2012/0272831 A1* 11/2012 Barberio B01F 3/0446
99/323.1
2013/0233885 A1 9/2013 Cohen
2014/0144937 A1* 5/2014 Arsenia-Armstrong ... B67B 7/26
222/89
2014/0151374 A1* 6/2014 Barron B65D 5/747
220/277
2014/0197199 A1 7/2014 Barron
2015/0048110 A1 2/2015 dePOO
2015/0068406 A1 3/2015 Marsden et al.
2015/0259105 A1* 9/2015 Martinez B67D 3/047
220/233
2017/0209003 A1 7/2017 Quintero et al.

* cited by examiner

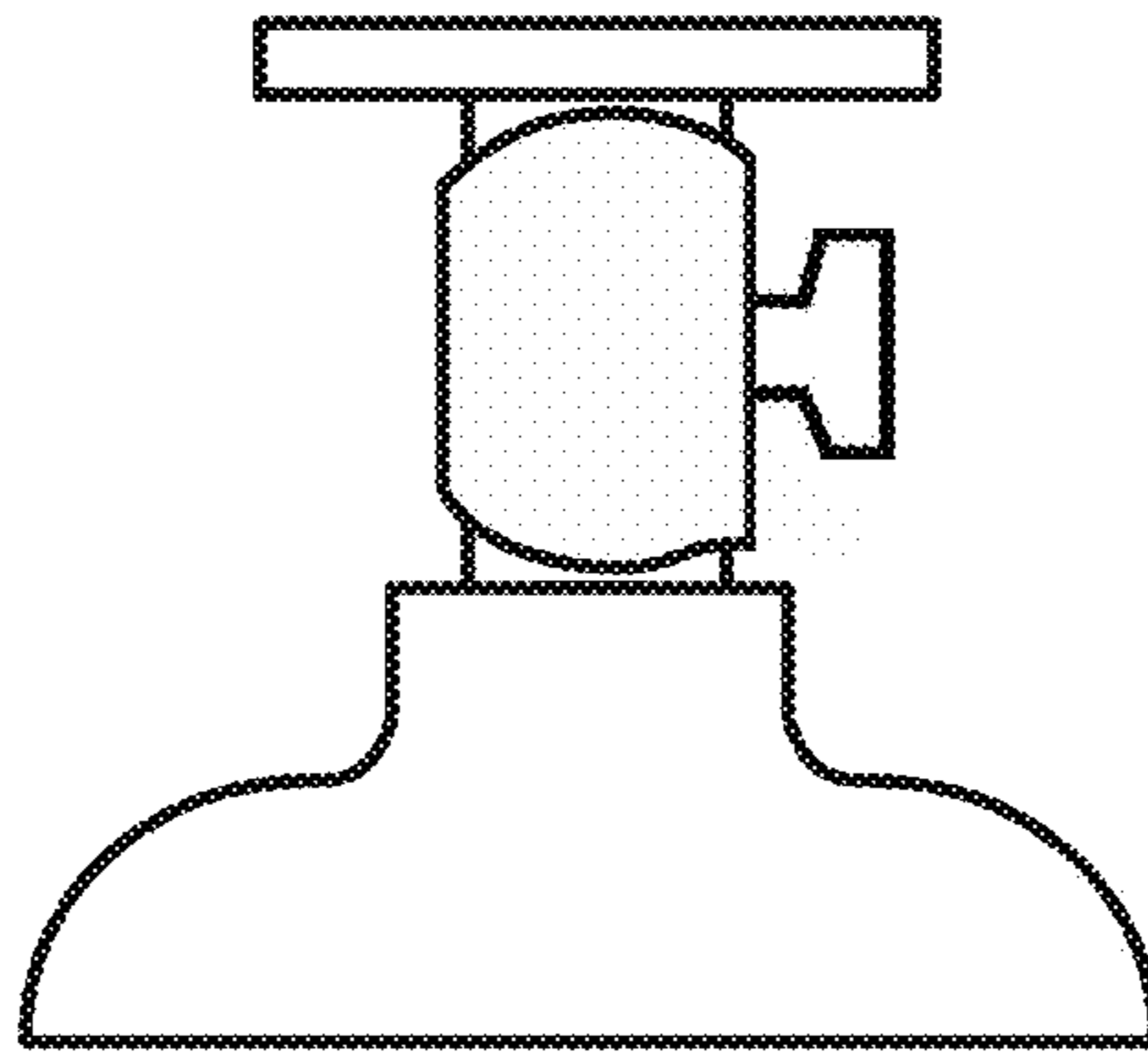


FIG. 1

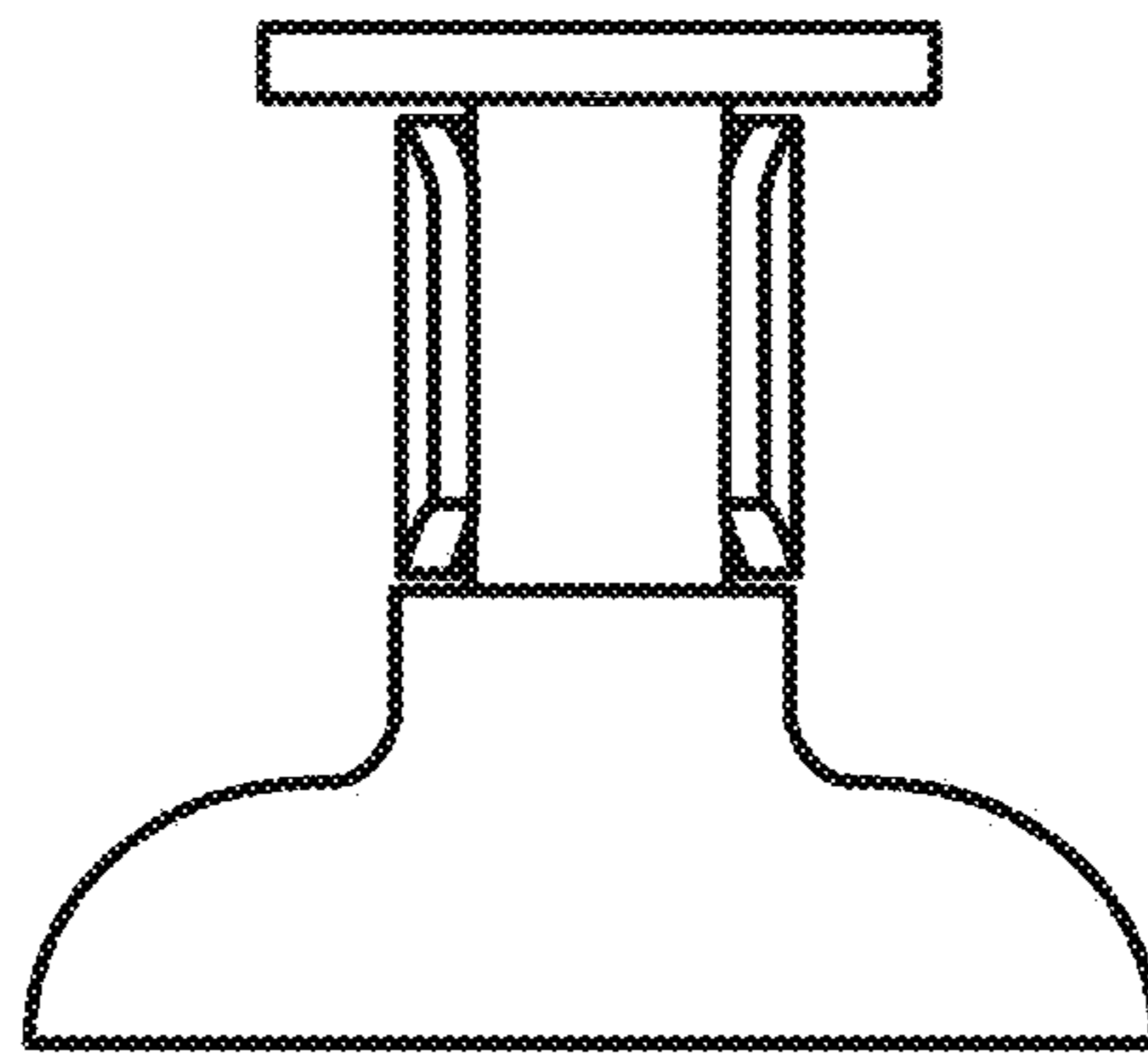


FIG. 2

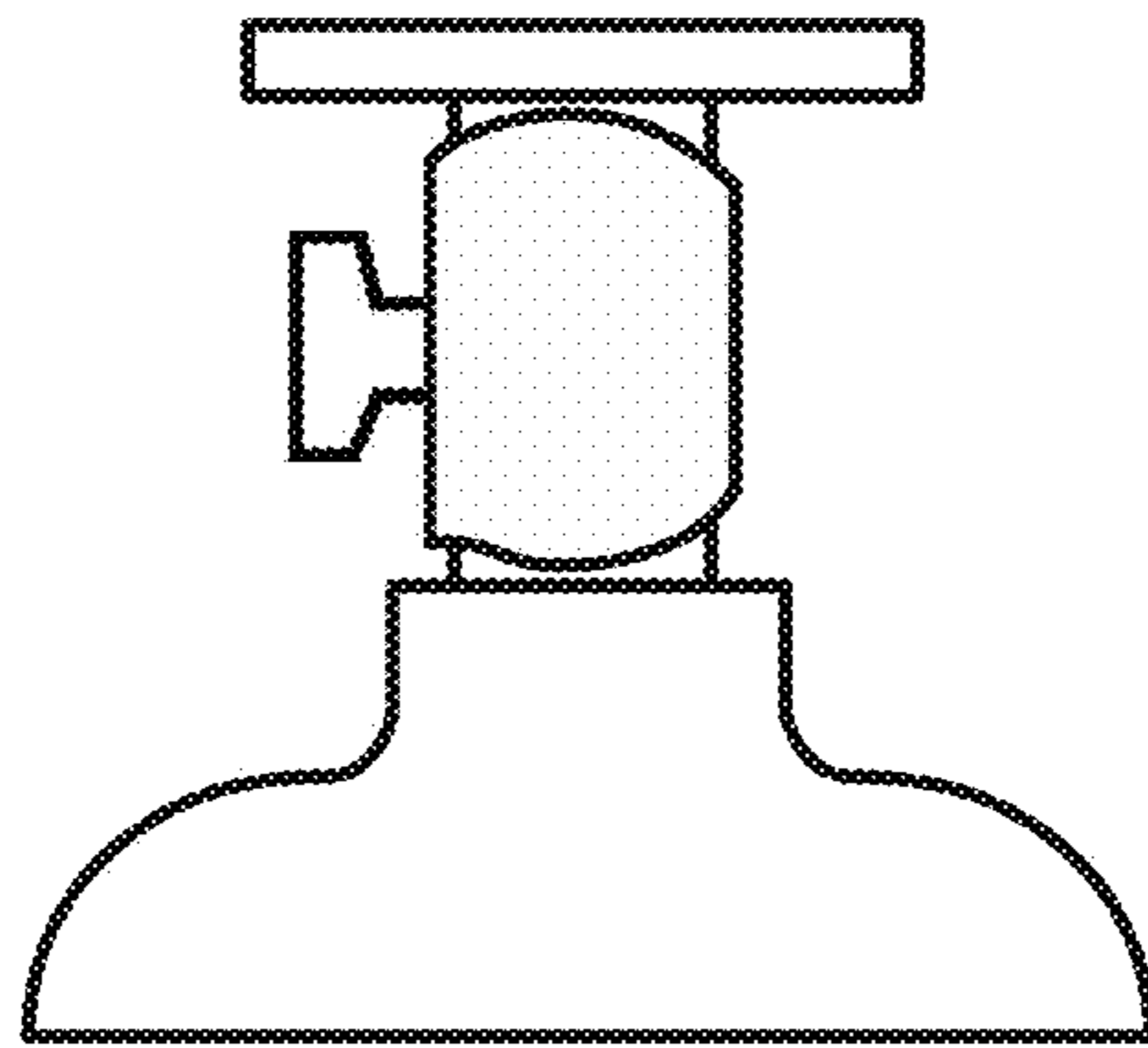


FIG. 3

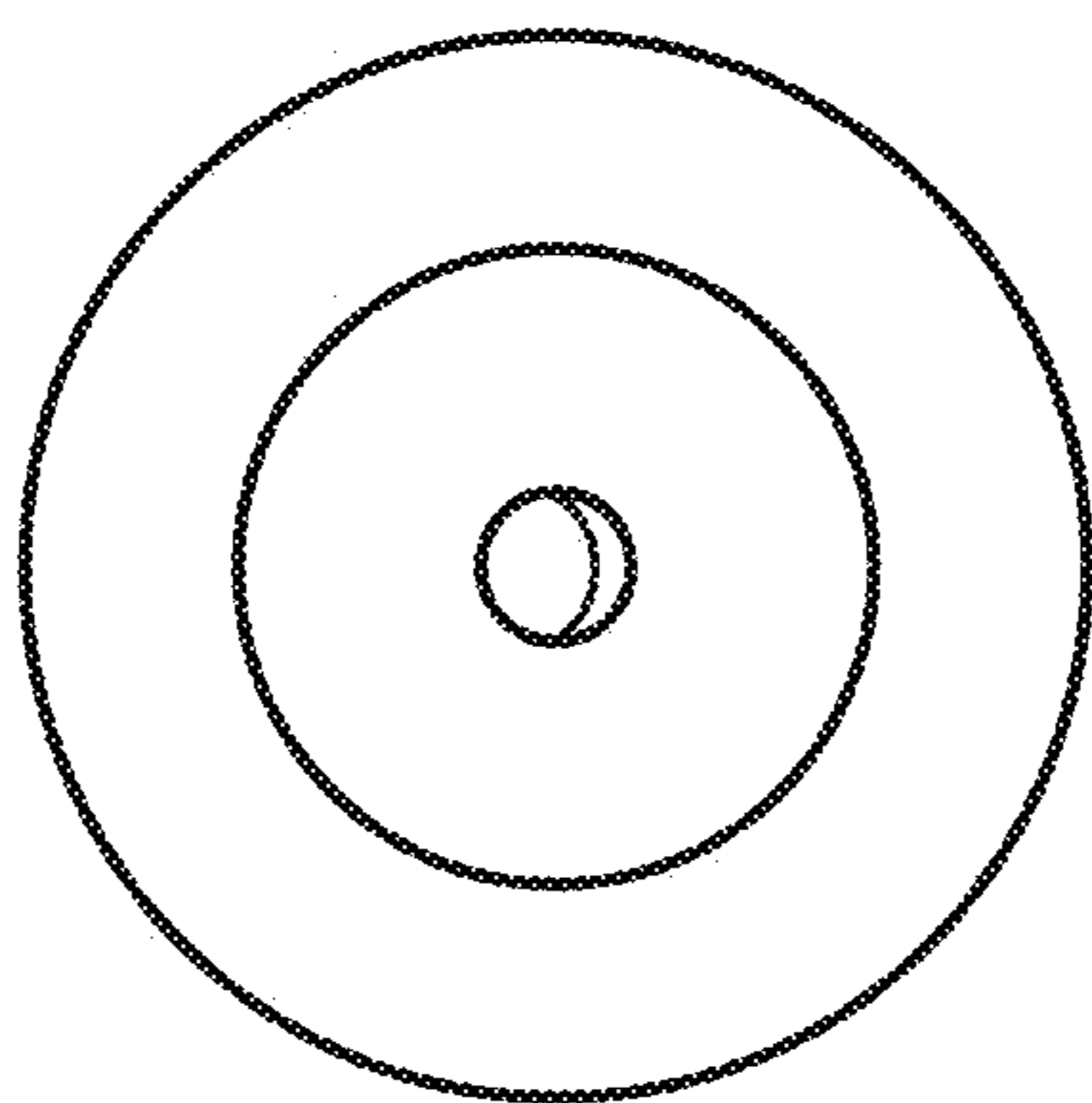


FIG. 4

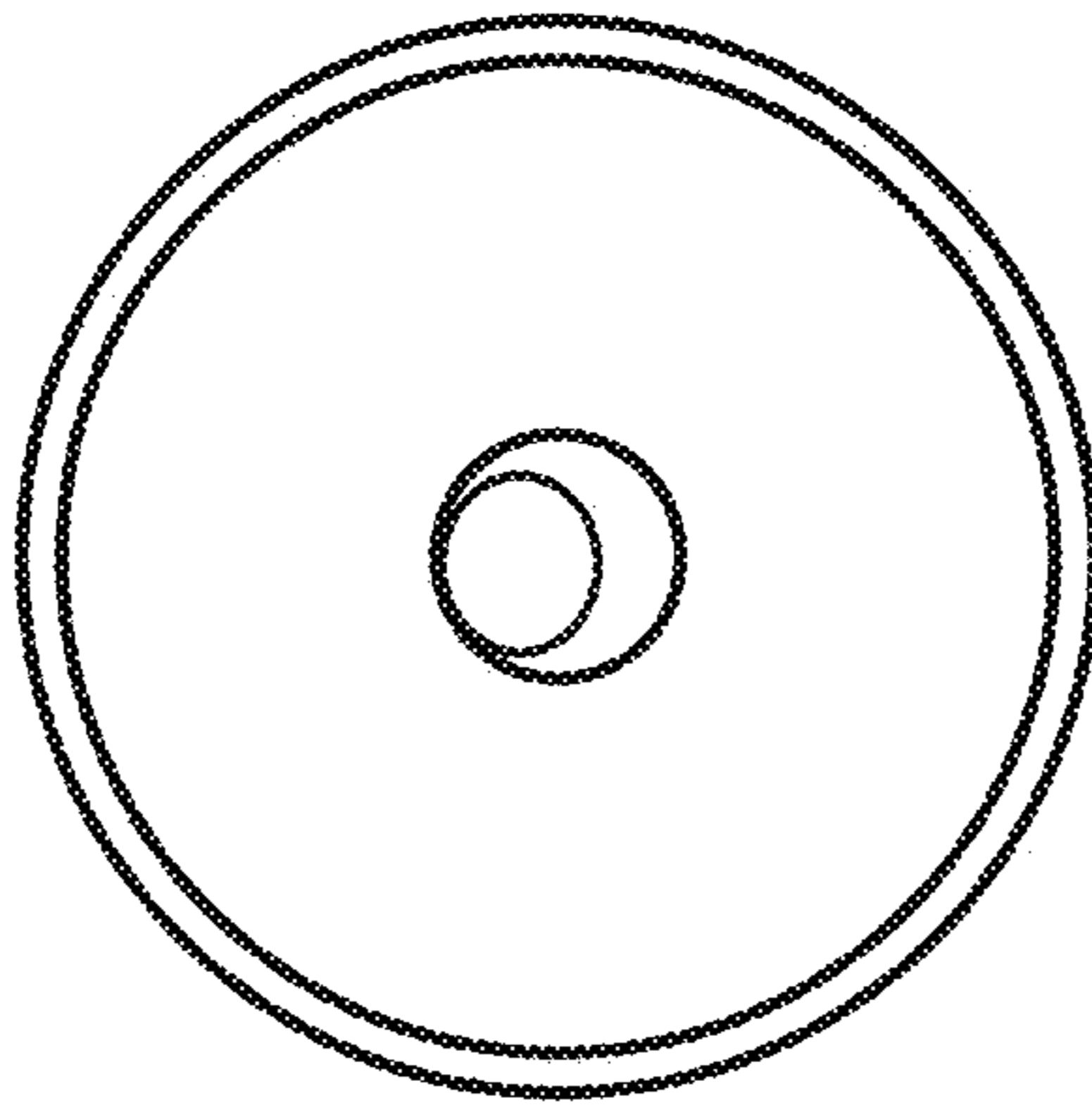


FIG. 5

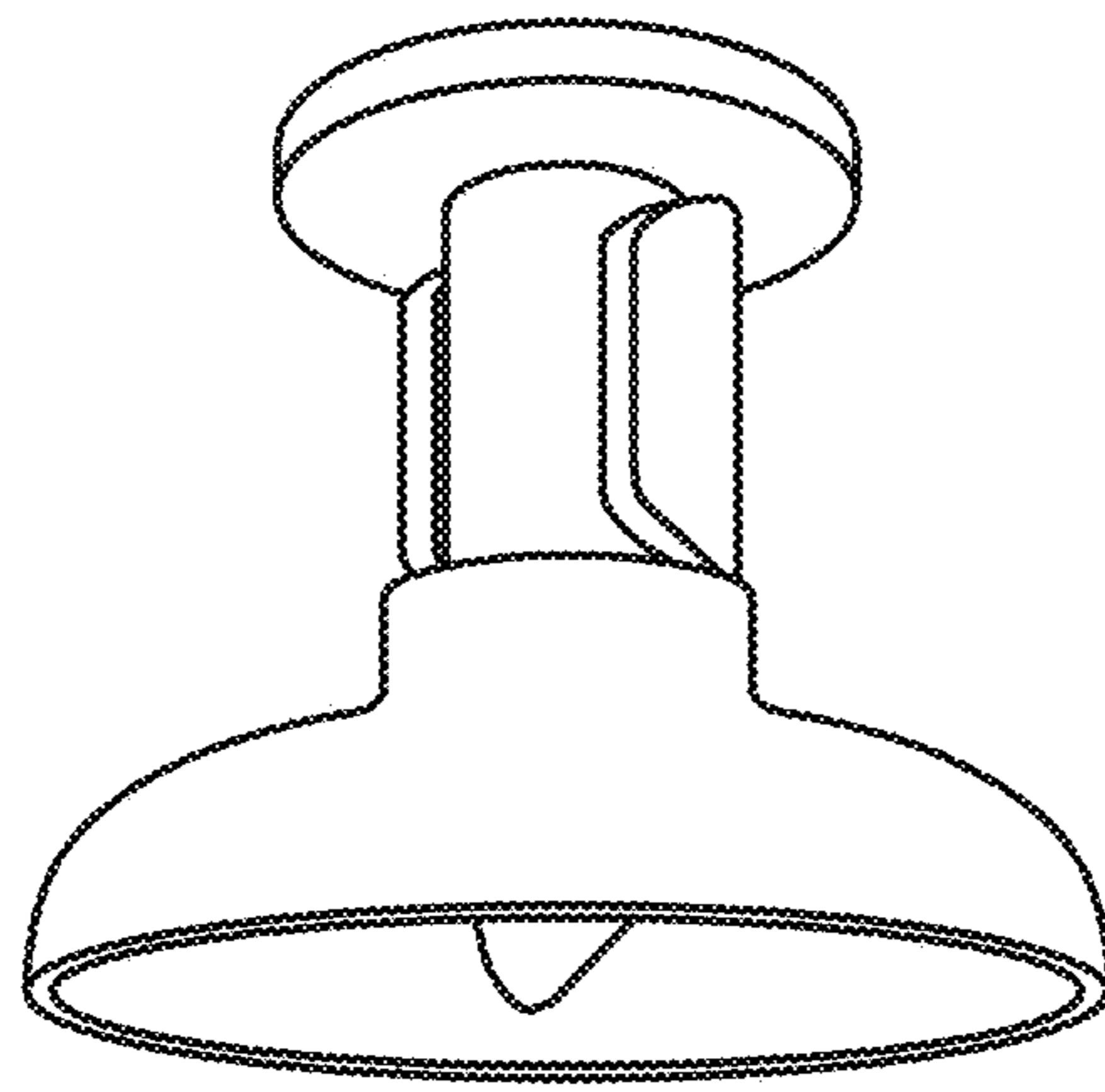


FIG. 6

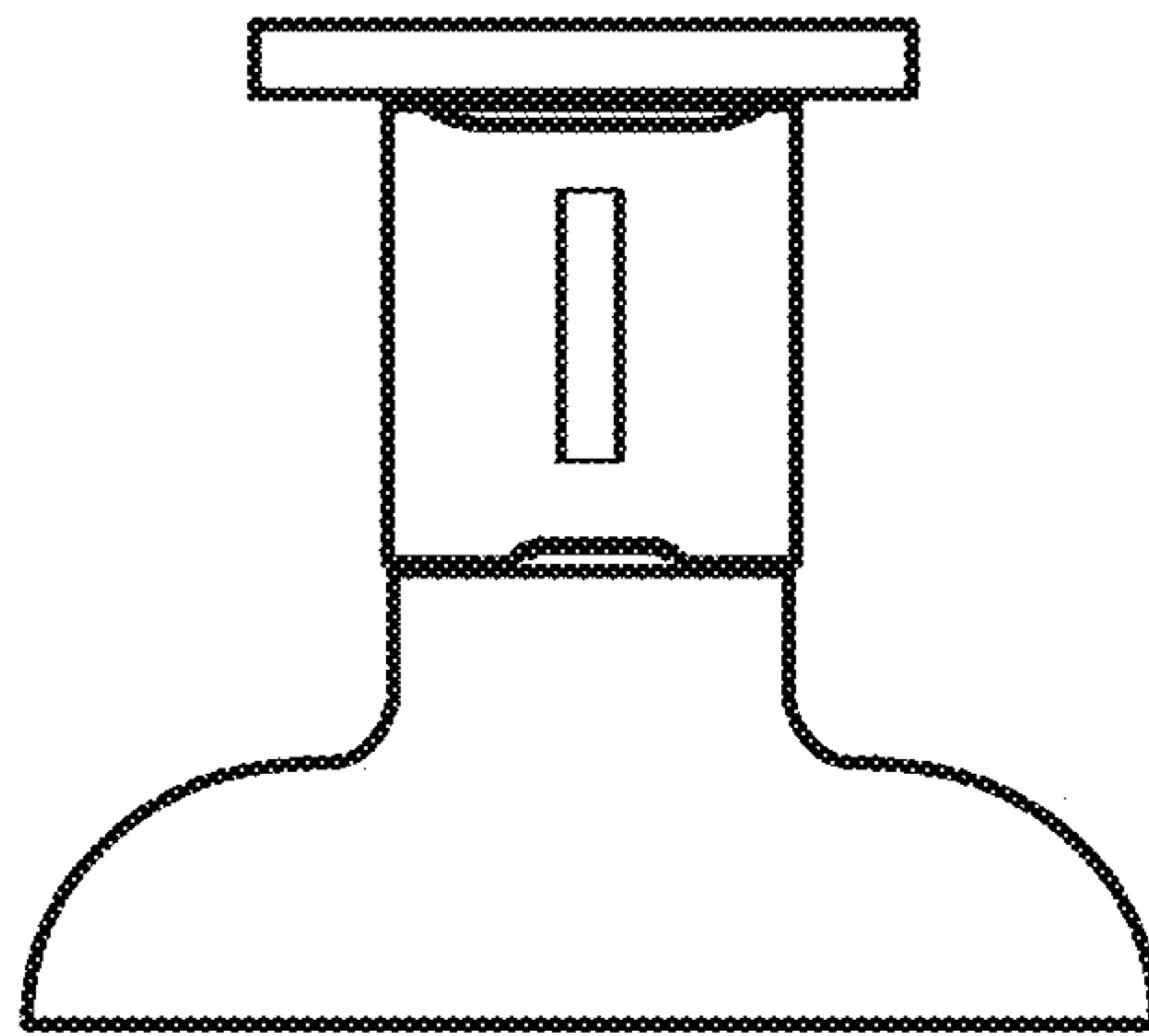


FIG. 7

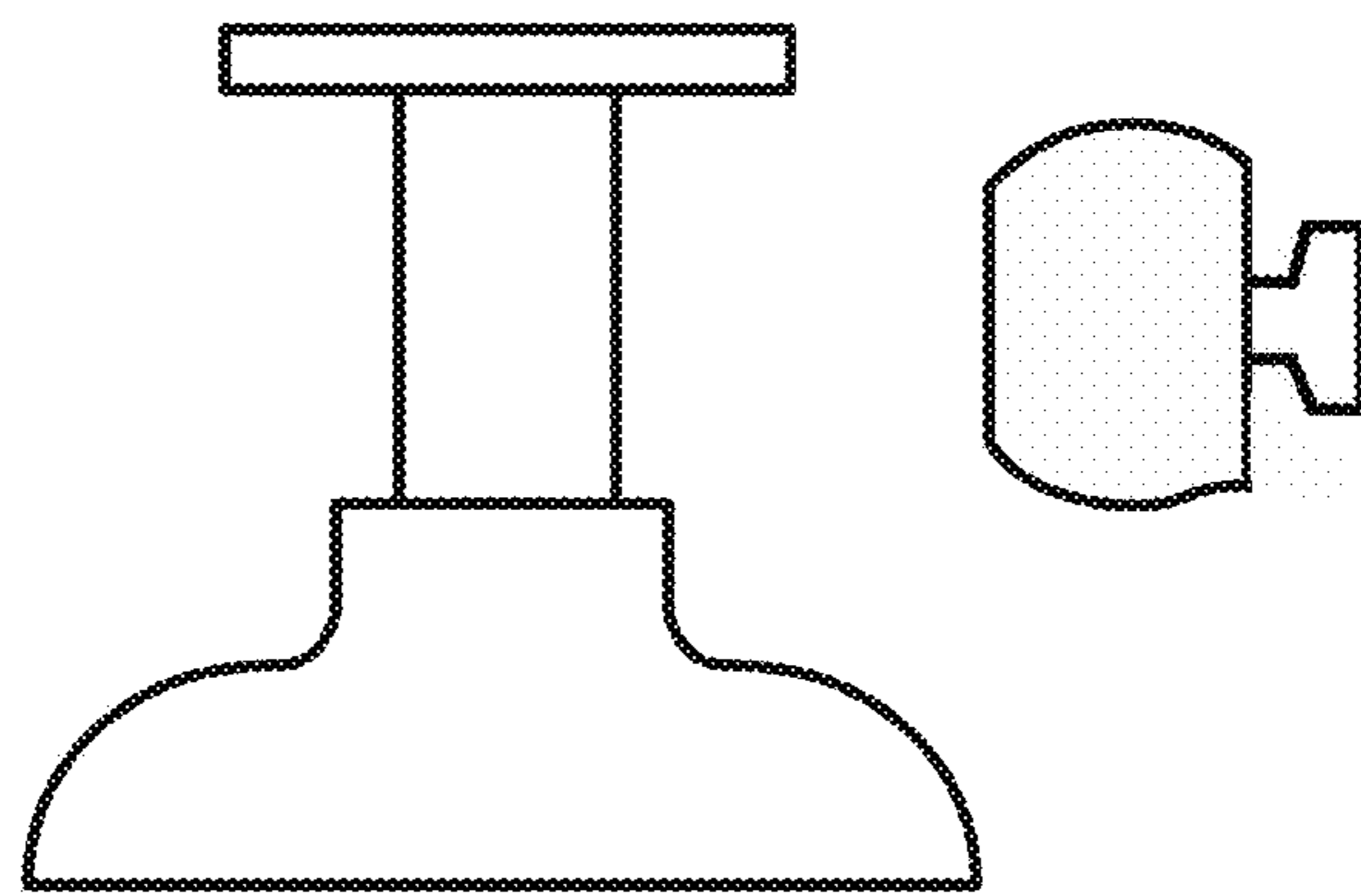


FIG. 8

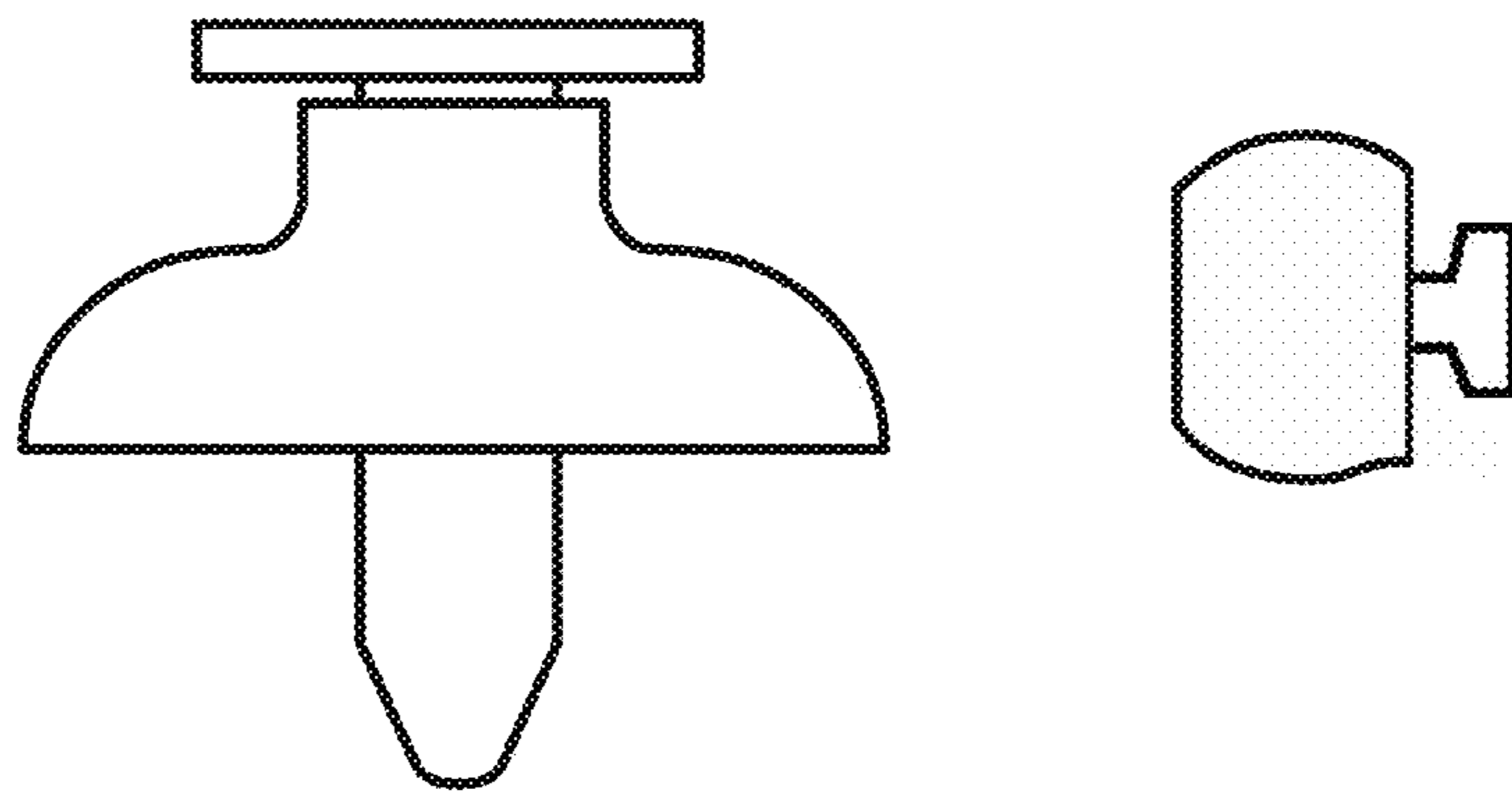


FIG. 9