



US00D943339S

(12) **United States Design Patent** (10) **Patent No.:** **US D943,339 S**
Jo et al. (45) **Date of Patent:** **** Feb. 15, 2022**

(54) **HAND BLENDER** D345,075 S * 3/1994 Saltet D7/376
5,360,170 A * 11/1994 Cartellone A47J 43/0705
241/169.1

(71) Applicant: **MIDEA GROUP CO., LTD.**,
Guangdong (CN) D361,241 S * 8/1995 Littmann D7/376
5,810,472 A * 9/1998 Penaranda A47J 43/0711
220/601

(72) Inventors: **Jeongmin Jo**, Guangdong (CN);
Xian'an Liu, Guangdong (CN); **Ying Song**, Guangdong (CN)
D408,214 S * 4/1999 Cousins D7/376
D426,105 S * 6/2000 Littmann D7/376
D456,206 S * 4/2002 Feil D7/376
D485,729 S * 1/2004 Patton D7/376
D534,032 S * 12/2006 Lloyd D7/380
D614,438 S * 4/2010 Fukasawa D7/376
D644,479 S * 9/2011 Lownds D7/379
D703,481 S * 4/2014 Lownds D7/380
D724,373 S * 3/2015 Ji D7/380
D728,302 S * 5/2015 Vu D7/378
D907,428 S * 1/2021 Du D7/380
D909,119 S * 2/2021 McConnell D7/380
D922,132 S * 6/2021 Gee D7/379
D925,272 S * 7/2021 McConnell D7/380

(73) Assignee: **MIDEA GROUP CO., LTD.**, Foshan
(CN) 2011/0235461 A1 * 9/2011 Gursel A47J 43/042
366/129

(**) Term: **15 Years** 2016/0100716 A1 * 4/2016 Cheung A47J 43/044
366/129

(21) Appl. No.: **35/510,862**

(22) Filed: **Oct. 10, 2020**

(80) **Hague Agreement Data**

Int. Filing Date: **Oct. 10, 2020**
Int. Reg. No.: **DM/211444**
Int. Reg. Date: **Oct. 10, 2020**
Int. Reg. Pub. Date: **Dec. 4, 2020**

* cited by examiner

Primary Examiner — S. Bryan Reinholdt, Jr.
(74) *Attorney, Agent, or Firm* — Morgan, Lewis & Bockius LLP

(30) **Foreign Application Priority Data**

Jun. 12, 2020 (CN) 202030300403.4

(51) **LOC (13) Cl.** **31-00**

(52) **U.S. Cl.**
USPC **D7/380; D7/376**

(58) **Field of Classification Search**
USPC D7/376, 380, 387, 412
CPC A47J 43/1031; A47J 43/1075; A47J
2043/04409
See application file for complete search history.

(57) **CLAIM**

The ornamental design for a hand blender, as shown and described.

DESCRIPTION

- 1. Hand blender
- 1.1 : Front
- 1.2 : Back
- 1.3 : Left
- 1.4 : Right
- 1.5 : Top
- 1.6 : Bottom
- 1.7 : Perspective

(56) **References Cited**

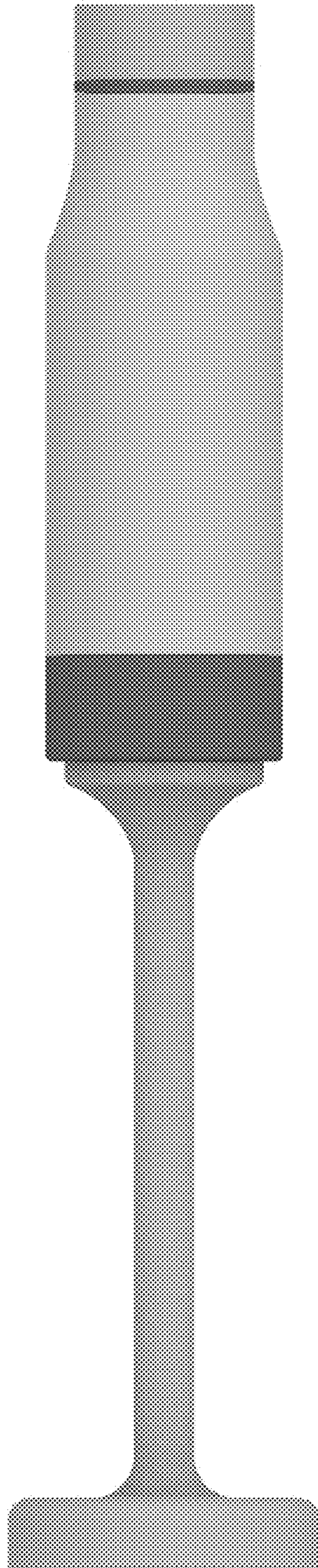
U.S. PATENT DOCUMENTS

D121,299 S * 7/1940 Krebs D7/379
D271,176 S * 11/1983 Zimnowicz D7/379

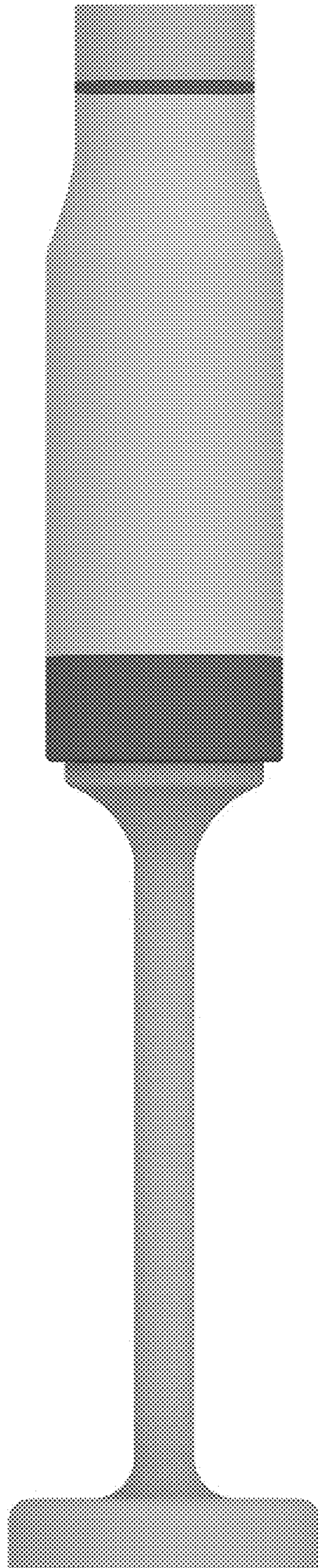
1 Claim, 7 Drawing Sheets



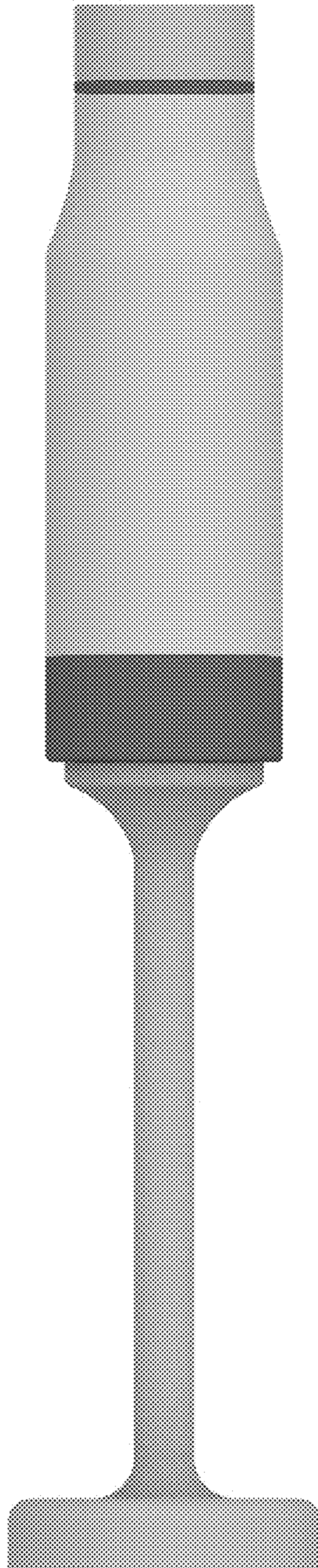
1.1



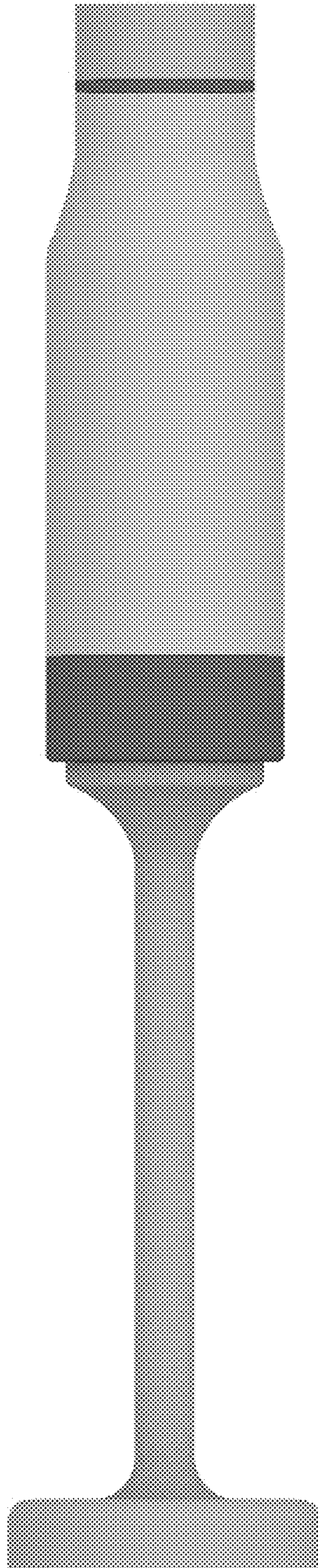
1.2



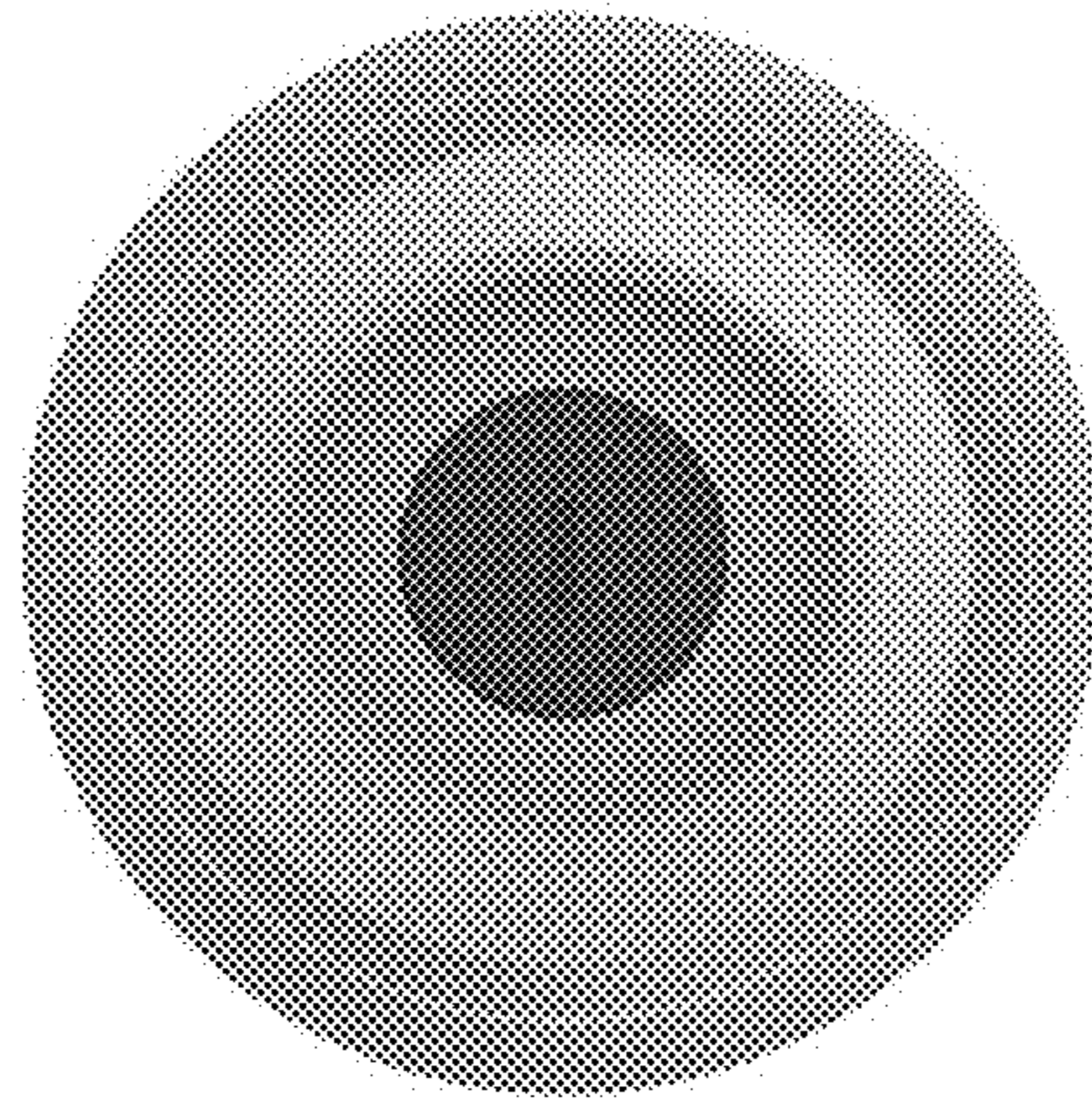
1.3



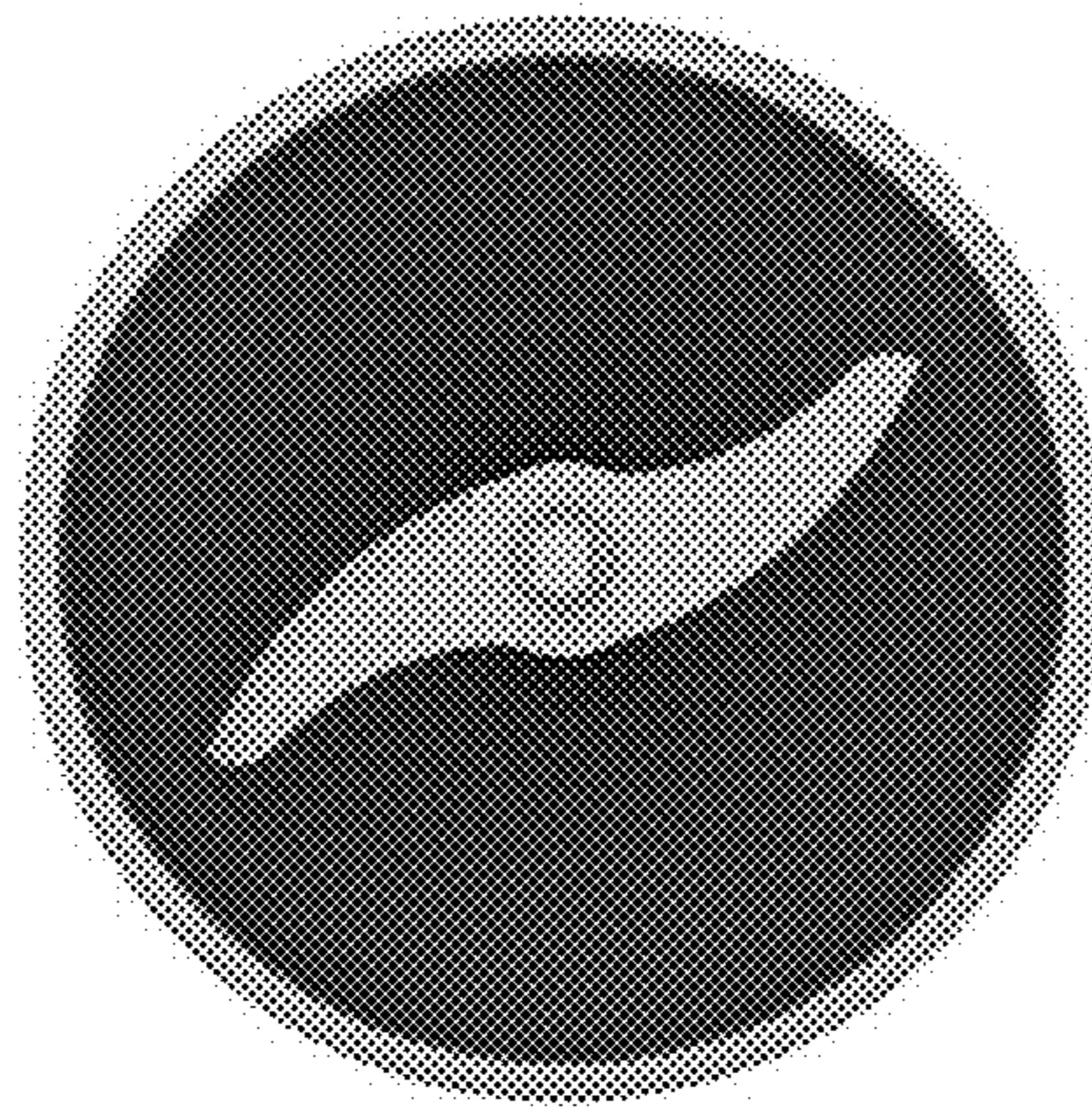
1.4



1.5



1.6



1.7

