



US00D943338S

(12) **United States Design Patent**  
**Feng**

(10) **Patent No.:** **US D943,338 S**

(45) **Date of Patent:** **\*\* Feb. 15, 2022**

(54) **MILK FROTHER**

(71) Applicant: **Hongguang Feng**, Guangzhou (CN)

(72) Inventor: **Hongguang Feng**, Guangzhou (CN)

(\*\*) Term: **15 Years**

(21) Appl. No.: **29/771,411**

(22) Filed: **Feb. 23, 2021**

(51) **LOC (13) Cl.** ..... **31-00**

(52) **U.S. Cl.**

USPC ..... **D7/377**; D7/376; D7/378

(58) **Field of Classification Search**

USPC ..... D7/318, 372, 376–386, 412–413, 602,  
D7/629, 665–666, 669, 679, 693–694

CPC .... A21C 1/02; A21C 1/04; A23N 1/00; A23N  
1/02; A47J 43/04; A47J 43/24; A47J  
43/25; A47J 43/27; A47J 43/042; A47J  
43/044; A47J 43/046; A47J 43/075; A47J  
43/0722; A47J 43/0727; A47J 27/004;  
B01F 3/00; B01F 3/0807; B01F 3/0853;  
B01F 13/0059; B01F 13/0064; B02C  
1/08; B02C 2/04; B02C 4/42; B02C  
4/142; B02C 4/143; B02C 4/423; B02C  
13/1835; B28C 5/10; B28C 5/12; B28C  
5/14; B28C 5/16

See application file for complete search history.

(56) **References Cited**

**U.S. PATENT DOCUMENTS**

D629,643 S	*	12/2010	Bower	.....	D7/378
D630,467 S	*	1/2011	Harrod	.....	D7/376
D646,522 S	*	10/2011	Collinson	.....	D7/376
D728,302 S	*	5/2015	Vu	.....	D7/378
D767,327 S	*	9/2016	McConnell	.....	D7/384
D793,152 S	*	8/2017	Gushwa	.....	D7/384
D815,482 S		4/2018	Bell		

D817,080 S	*	5/2018	Seidl	.....	D7/377
D827,354 S		9/2018	Wong		
D829,034 S		9/2018	Barquin		
D859,076 S	*	9/2019	Lee	.....	D7/413
D876,148 S		2/2020	Jing		
D895,348 S	*	9/2020	Vignau-Lous	.....	D7/377
D896,566 S	*	9/2020	Wang	.....	D7/378
D918,636 S	*	5/2021	Mangiarotti	.....	D7/318
D920,032 S	*	5/2021	McConnell	.....	D7/378
2018/0206677 A1	*	7/2018	Ivarsson	.....	A47J 27/004

**OTHER PUBLICATIONS**

Electric Milk Frother, Sowecozy Milk Frother 4 in 1. Date First Available on Amazon.com Sep. 13, 2020. <https://www.amazon.com/dp/B08HXLXWZC/ref> (Year: 2020).\*

\* cited by examiner

*Primary Examiner* — Ricky Pham

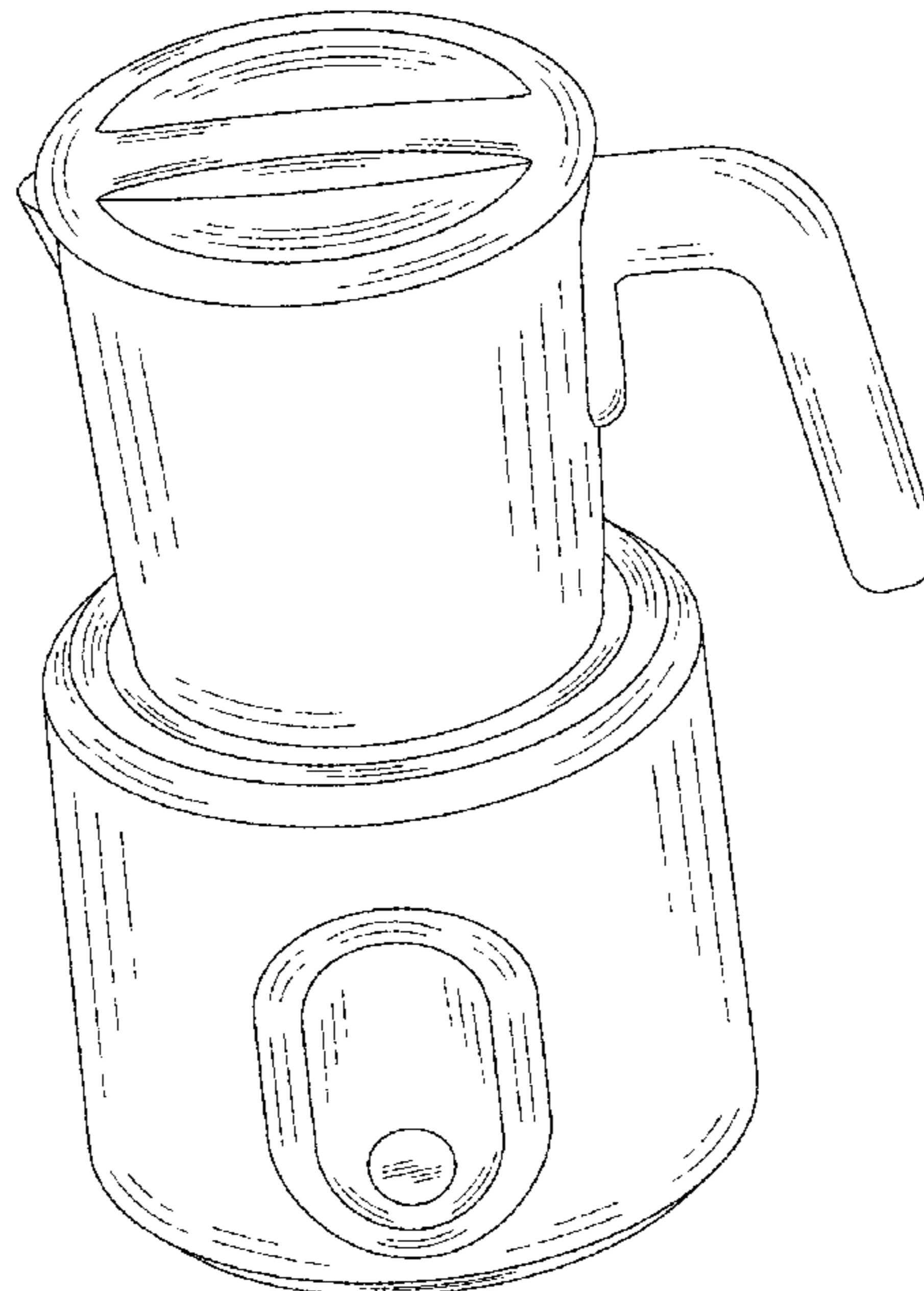
(57) **CLAIM**

The ornamental design for a milk frother, as shown and described.

**DESCRIPTION**

FIG. 1 is a perspective view of a milk frother with lock showing my new design;  
FIG. 2 is a front elevational view thereof;  
FIG. 3 is a rear elevational view thereof;  
FIG. 4 is a left side elevational view thereof;  
FIG. 5 is a right side elevational view thereof;  
FIG. 6 is a top plan view thereof;  
FIG. 7 is a bottom plan view thereof; and,  
FIG. 8 is an exploded perspective view thereof.  
The broken lines throughout the drawing figures depict portions of the milk frother that form no part of the claimed design.

**1 Claim, 8 Drawing Sheets**



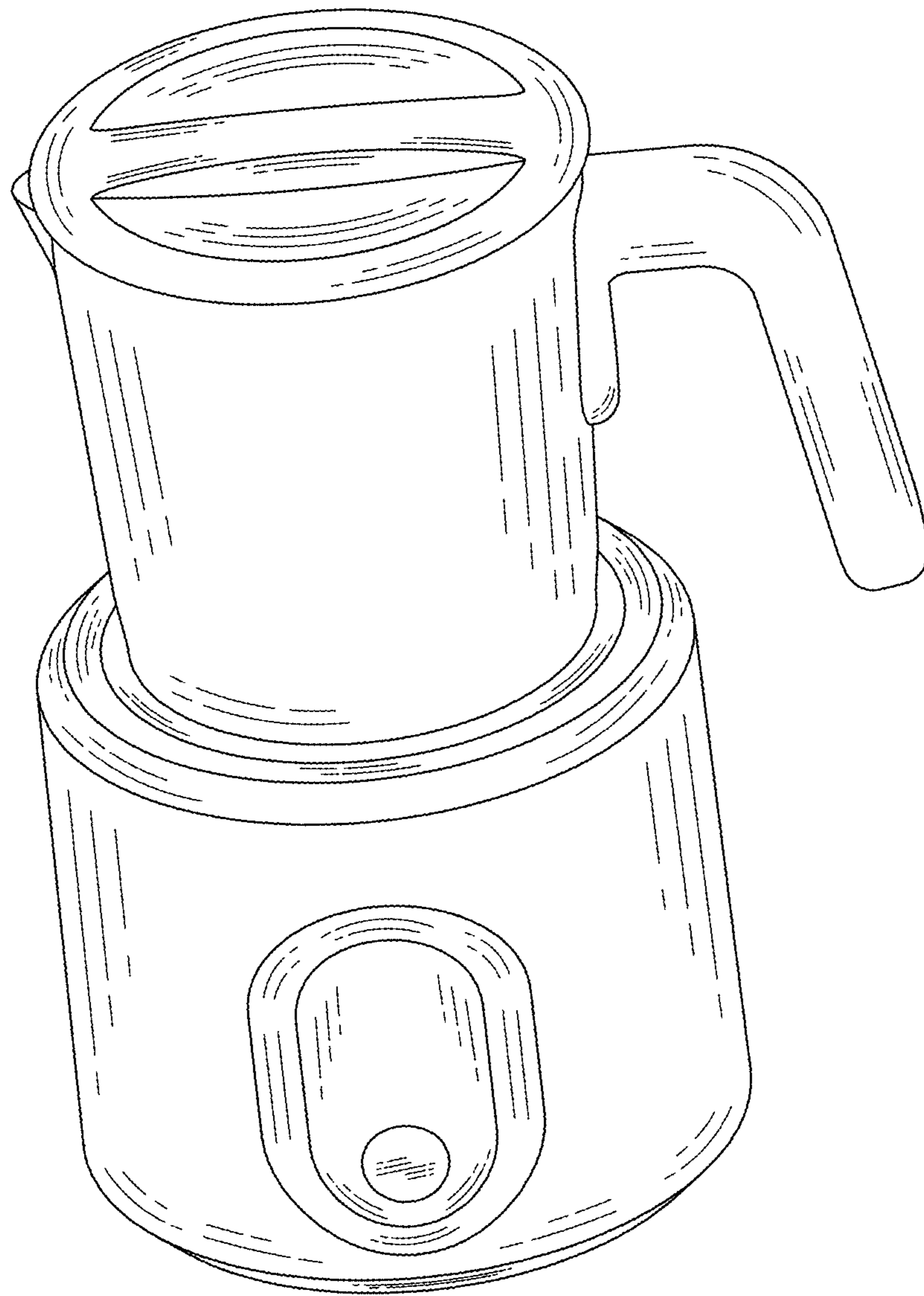


FIG. 1

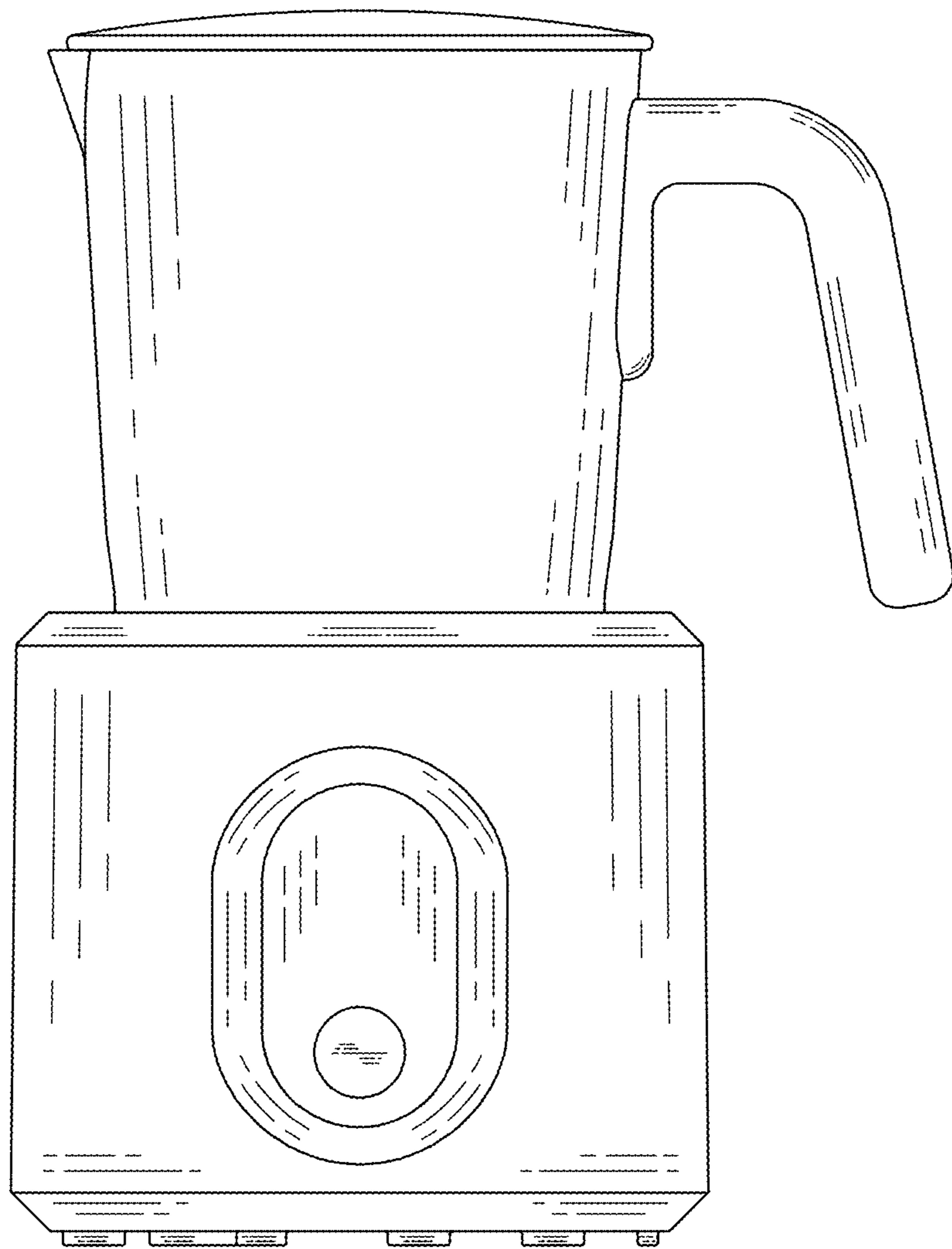


FIG.2

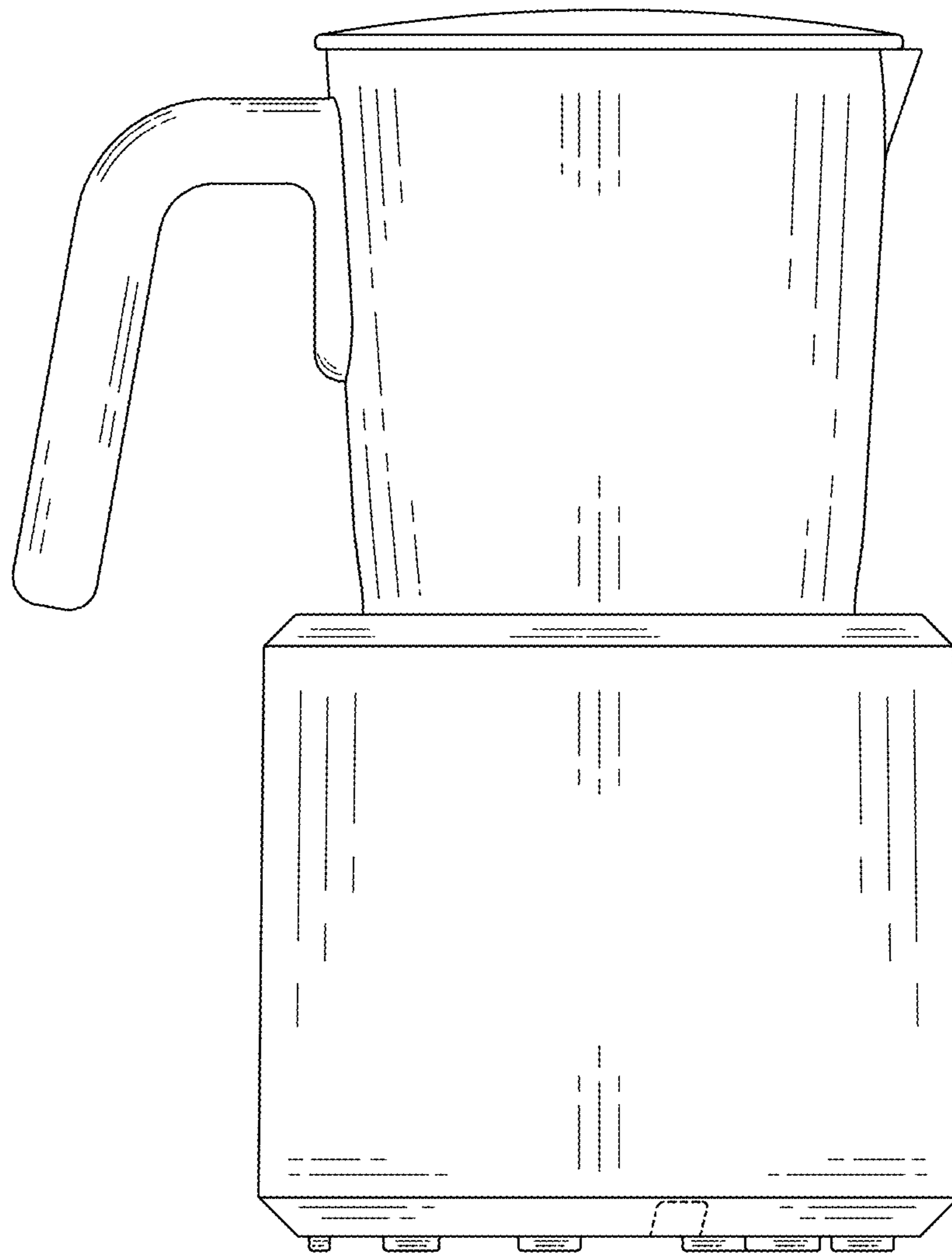


FIG.3

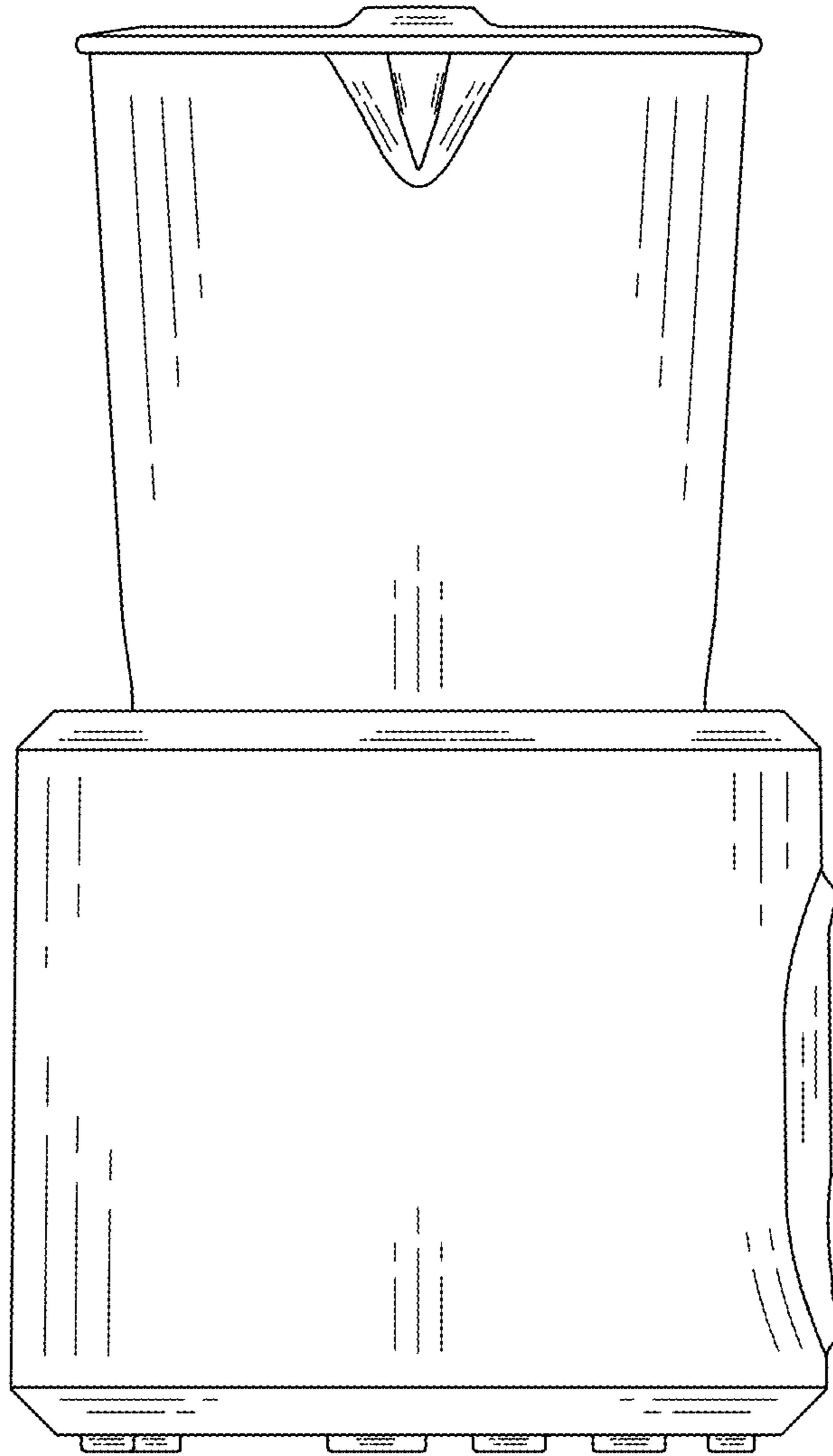


FIG.4

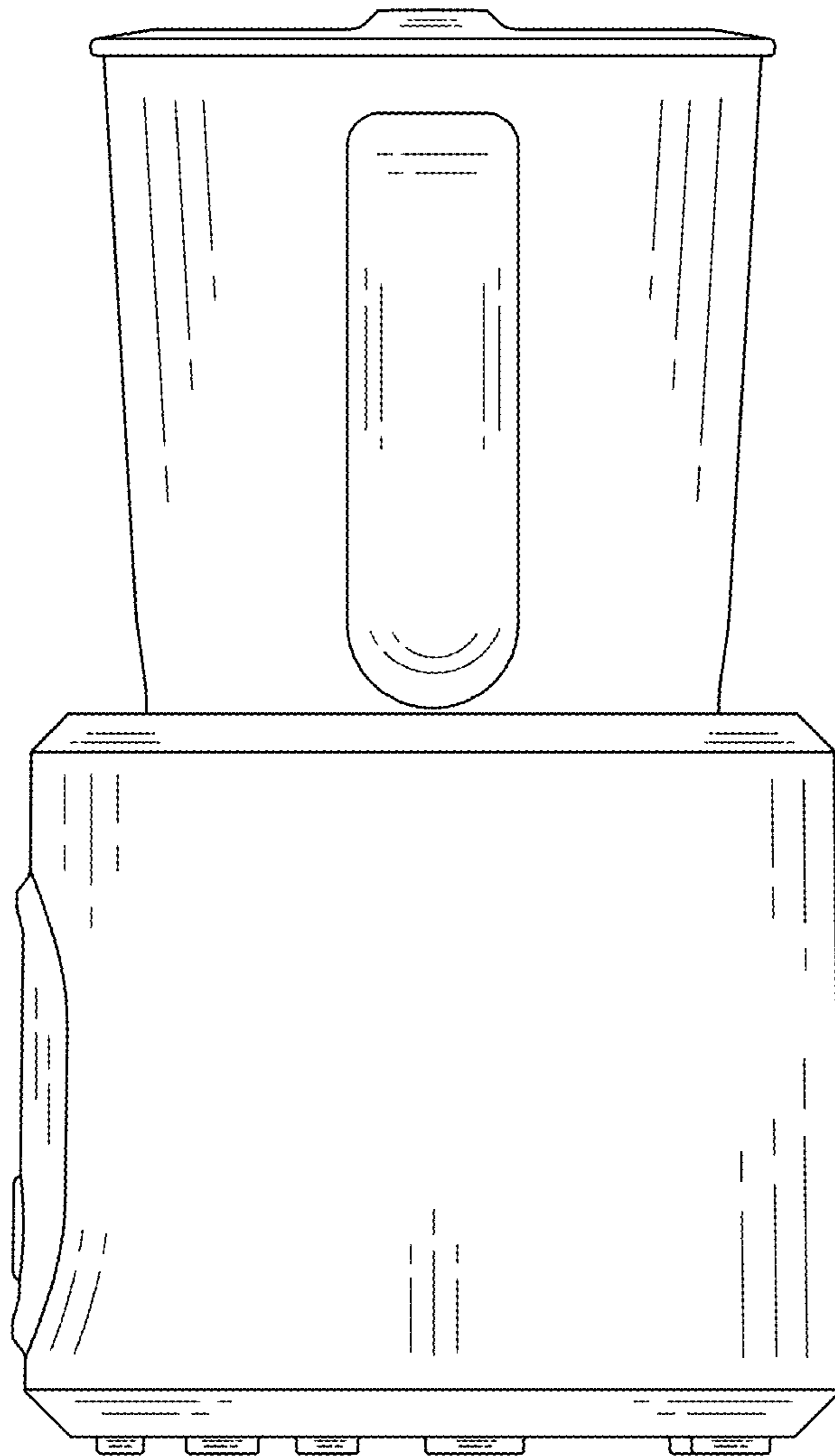


FIG.5

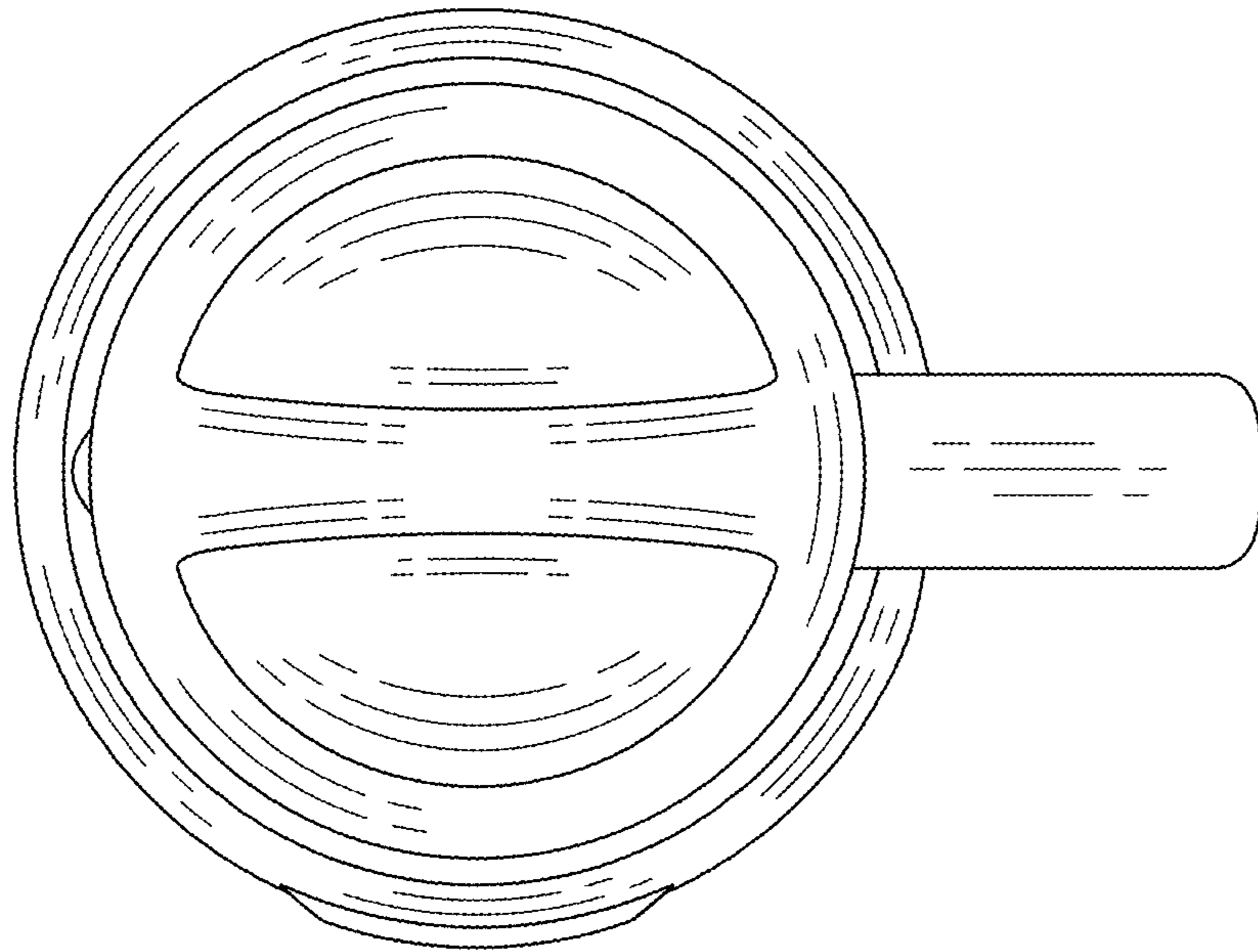


FIG.6

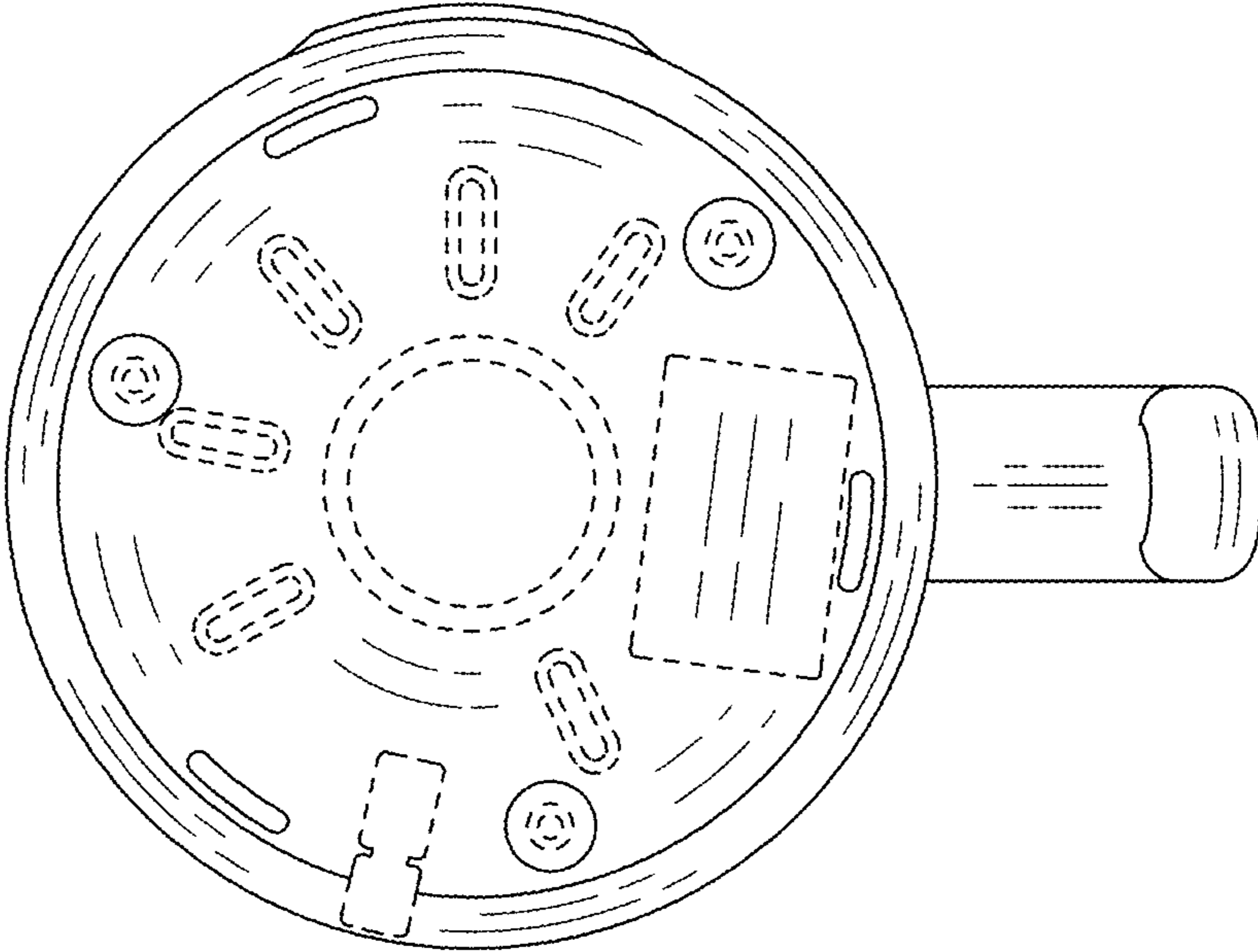


FIG.7



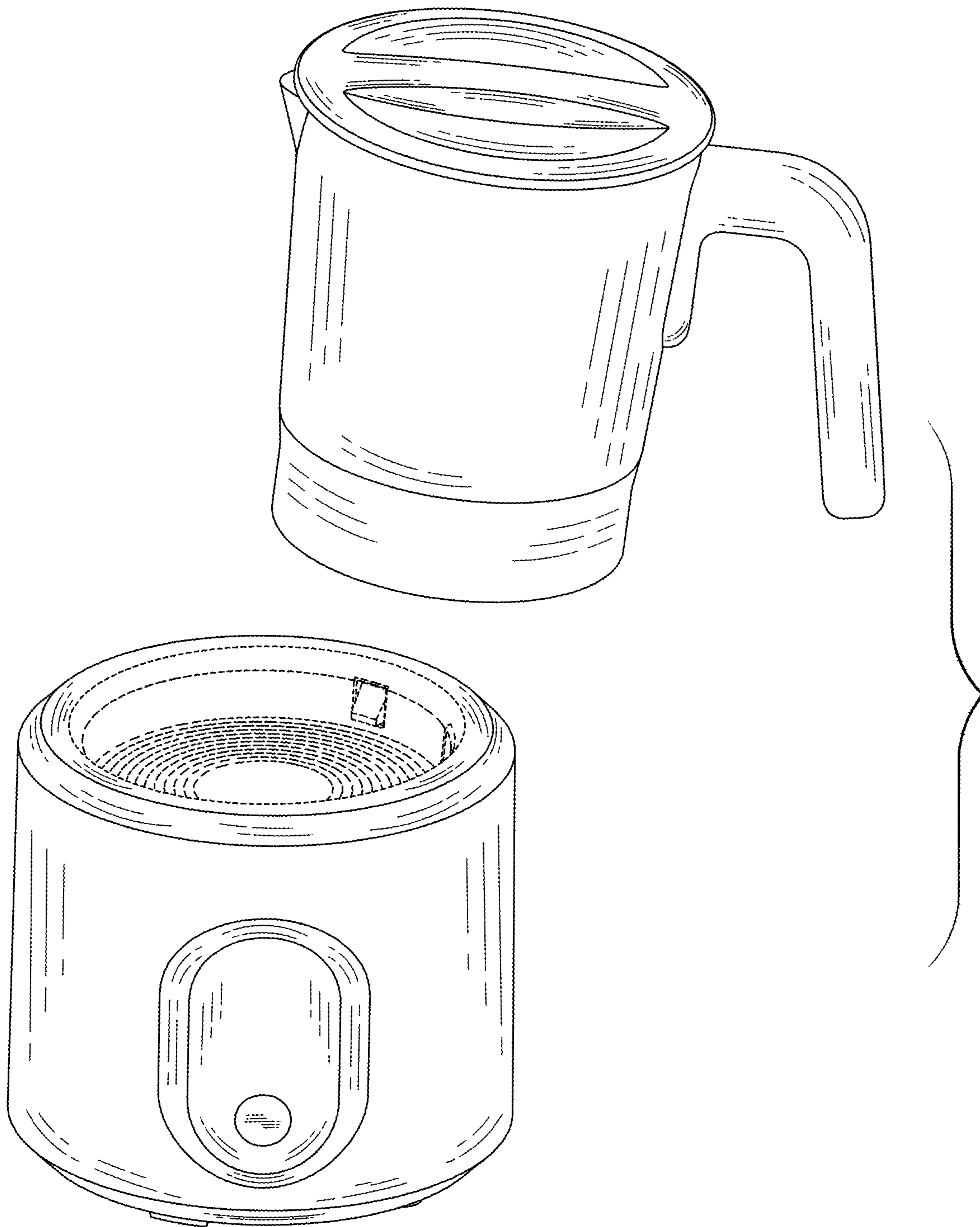


FIG. 8