



US00D943337S

(12) **United States Design Patent**  
**Chen**

(10) **Patent No.:** **US D943,337 S**

(45) **Date of Patent:** **\*\* Feb. 15, 2022**

- (54) **GRILL AND HOT POT**
- (71) Applicant: **TIM MEI TRADE & INVESTMENT LIMITED**, Kowloon (HK)
- (72) Inventor: **Ce Chen**, Kowloon (HK)
- (73) Assignee: **TIM MEI TRADE & INVESTMENT LIMITED**, Kowloon (HK)

D453,091 S	1/2002	Gouthiere	
D520,806 S *	5/2006	Ryan .....	D7/354
D545,614 S *	7/2007	Kim .....	D7/357
D590,204 S *	4/2009	Tetreault .....	D7/354
D590,205 S *	4/2009	Tetreault .....	D7/360
D640,086 S *	6/2011	Day .....	D7/357
D641,202 S *	7/2011	Bock .....	D7/357
D667,680 S *	9/2012	Bock .....	D7/354
2005/0145615 A1 *	7/2005	Schaffeld .....	A47J 36/10 219/440

(\*\*) Term: **15 Years**

(21) Appl. No.: **29/768,627**

(22) Filed: **Jan. 30, 2021**

(51) **LOC (13) Cl.** ..... **07-02**

(52) **U.S. Cl.**  
USPC ..... **D7/360; D7/354**

(58) **Field of Classification Search**  
USPC ..... D7/323, 354-361  
CPC .. A47J 27/00; A47J 27/04; A47J 27/05; A47J  
27/08; A47J 27/09; A47J 27/092; A47J  
36/025; A47J 36/06; A47J 36/08; A47J  
36/10; A47J 36/12; A47J 37/12; A47J  
37/1204; A47J 37/1209; H05B 6/02;  
H05B 6/06; H05B 6/12  
See application file for complete search history.

(56) **References Cited**

**U.S. PATENT DOCUMENTS**

D268,471 S *	4/1983	Gremonprez .....	D7/352
D409,042 S	5/1999	Cossy	
D425,360 S *	5/2000	Dobson .....	D7/360

**OTHER PUBLICATIONS**

Crisis Electric Smokeless Grill and Hot Pot. Date First Available on Amazon.com Aug. 5, 2020. <https://www.amazon.com/dp/B08FBHG8L1/ref> (Year: 2020).\*

\* cited by examiner

*Primary Examiner* — Ricky Pham

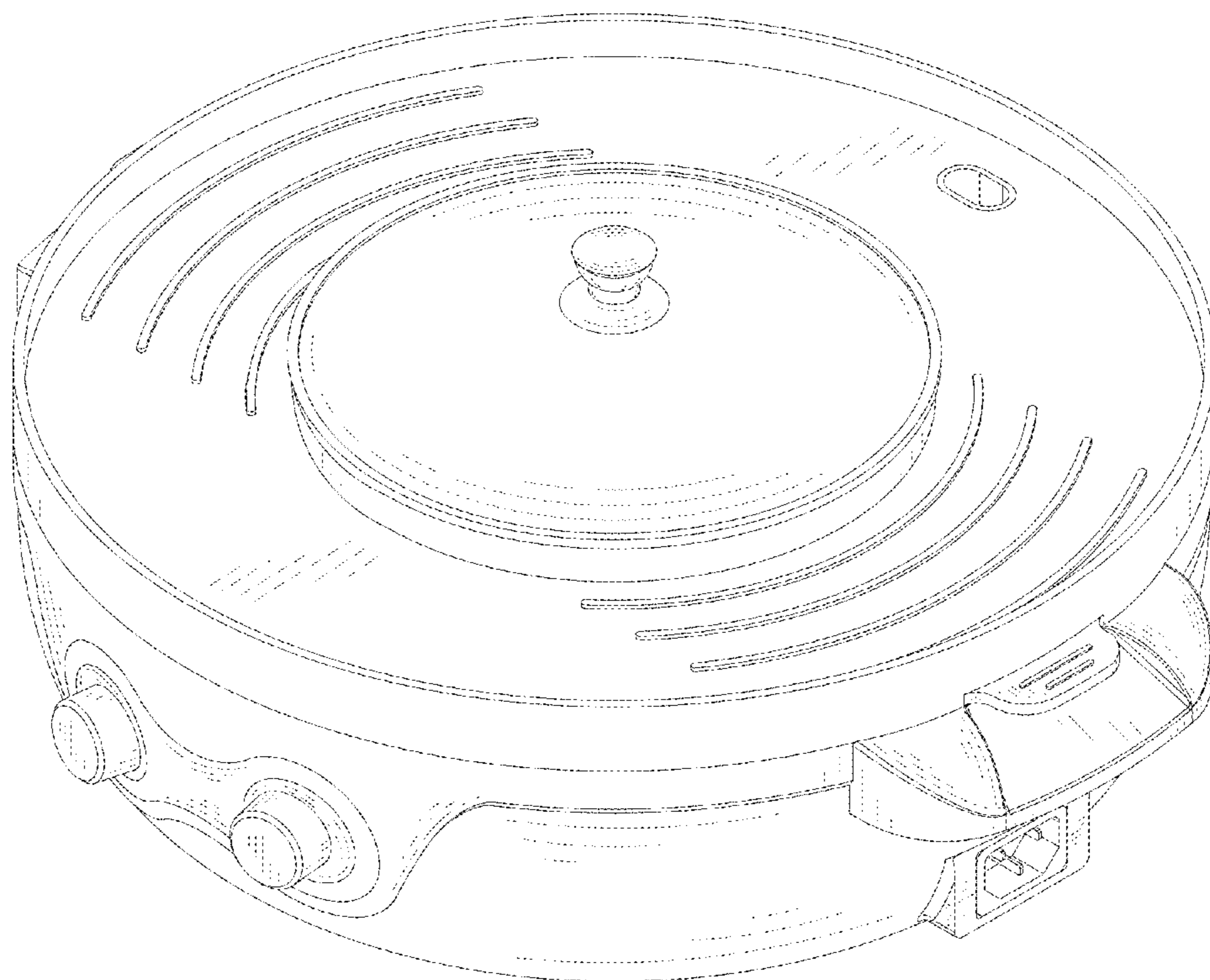
(57) **CLAIM**

The ornamental design for a grill and hot pot, as shown and described.

**DESCRIPTION**

FIG. 1 is a perspective view of a grill and hot pot showing my/our new design;  
FIG. 2 is an alternative perspective view thereof;  
FIG. 3 is a front view thereof;  
FIG. 4 is a back view thereof;  
FIG. 5 is a left side view thereof;  
FIG. 6 is a right side view thereof;  
FIG. 7 is a top view thereof; and,  
FIG. 8 is a bottom view thereof.

**1 Claim, 8 Drawing Sheets**



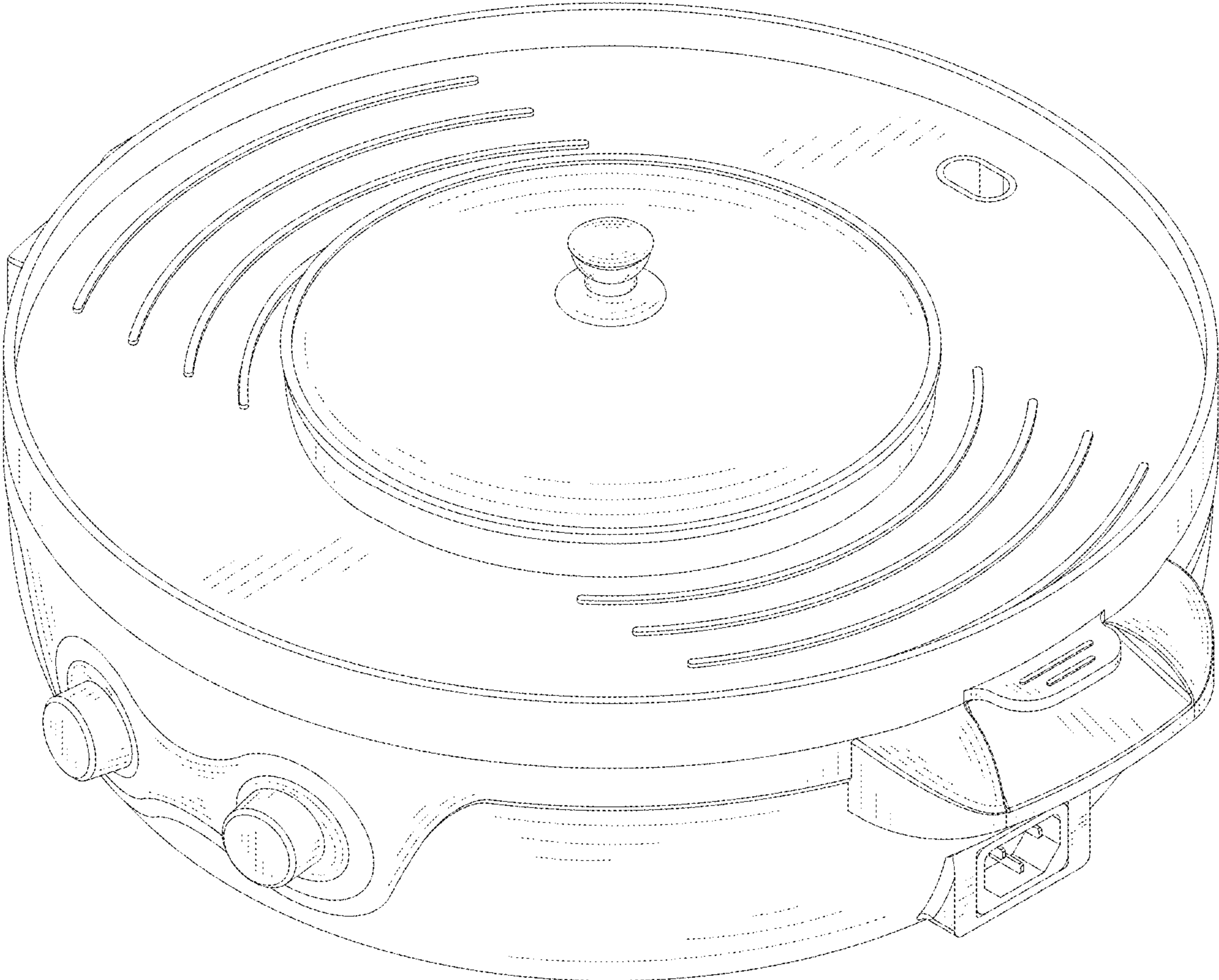


FIG.1

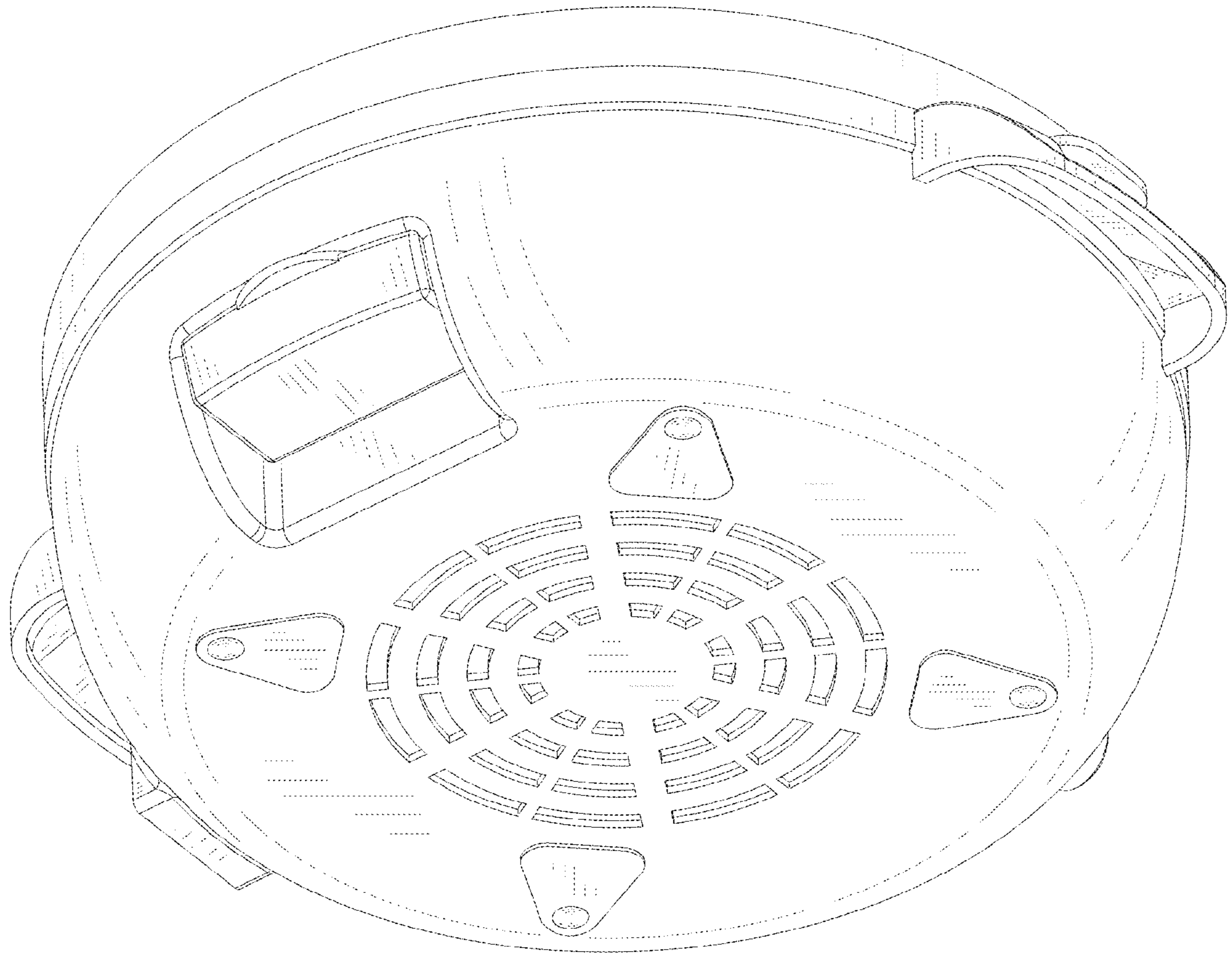


FIG.2

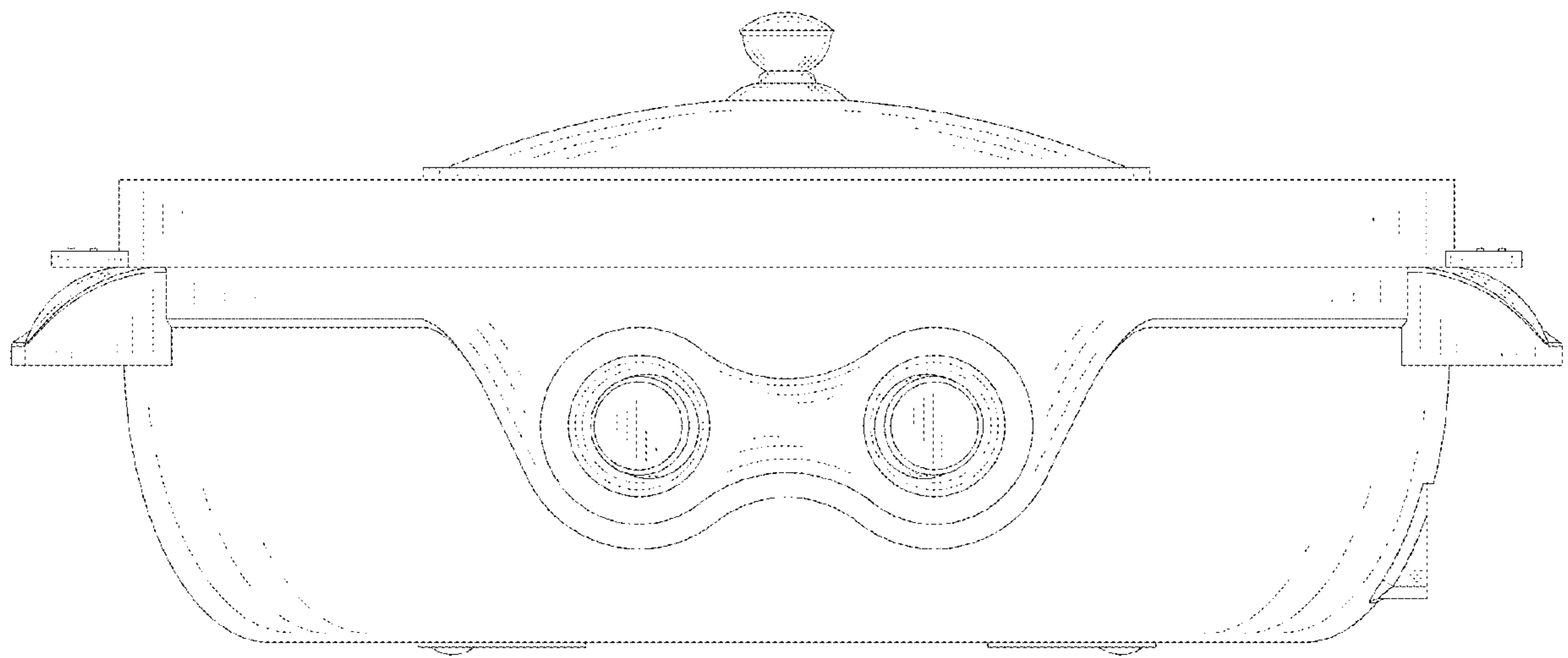


FIG.3



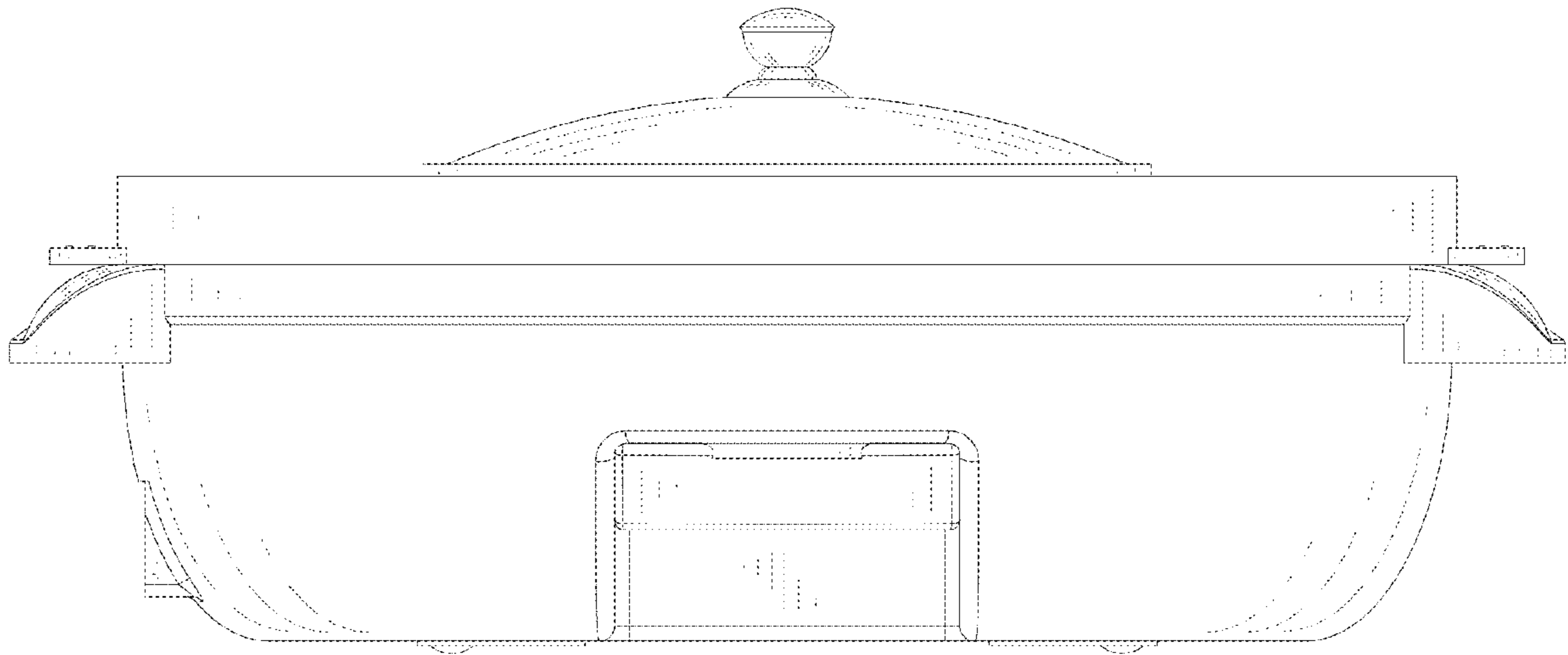


FIG. 4

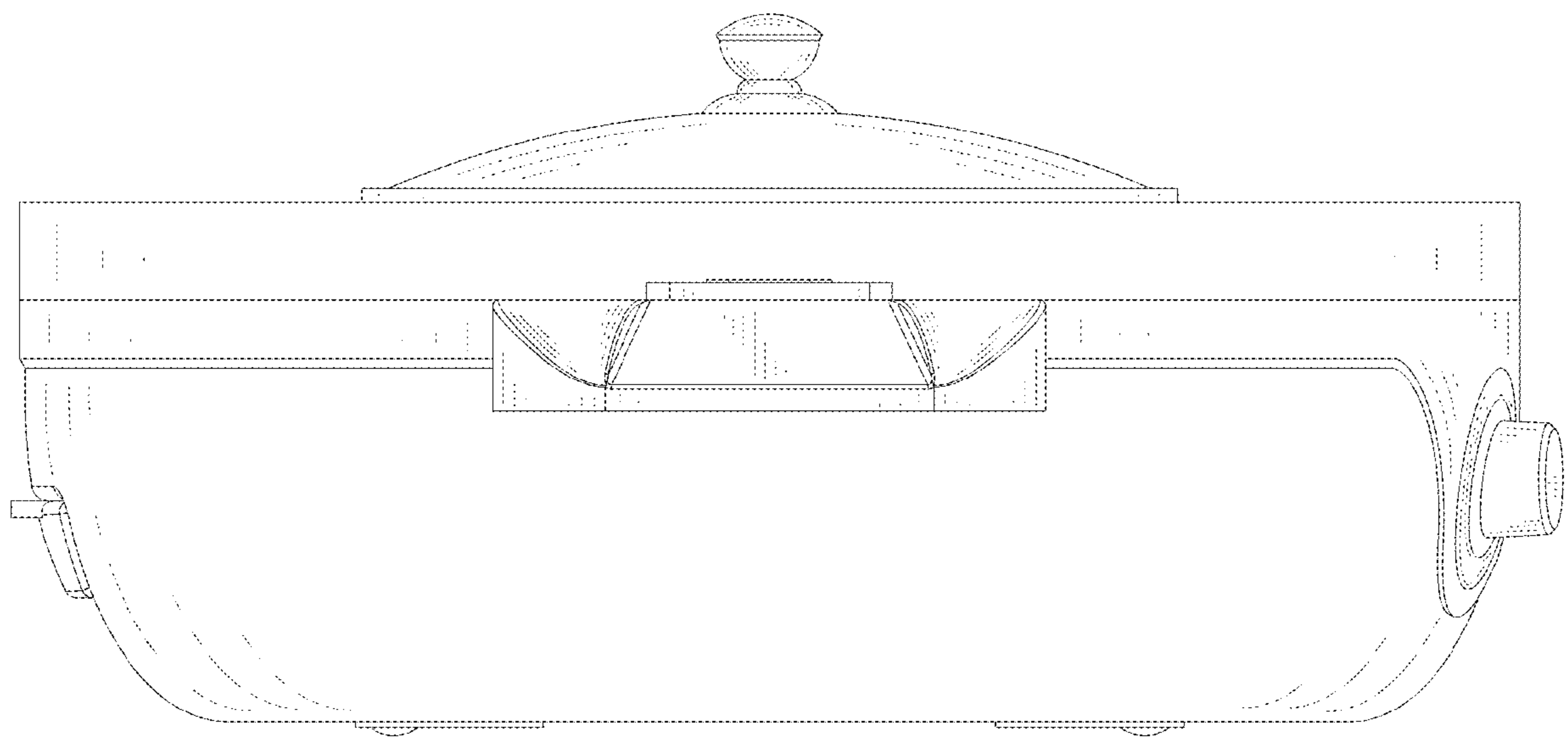


FIG. 5

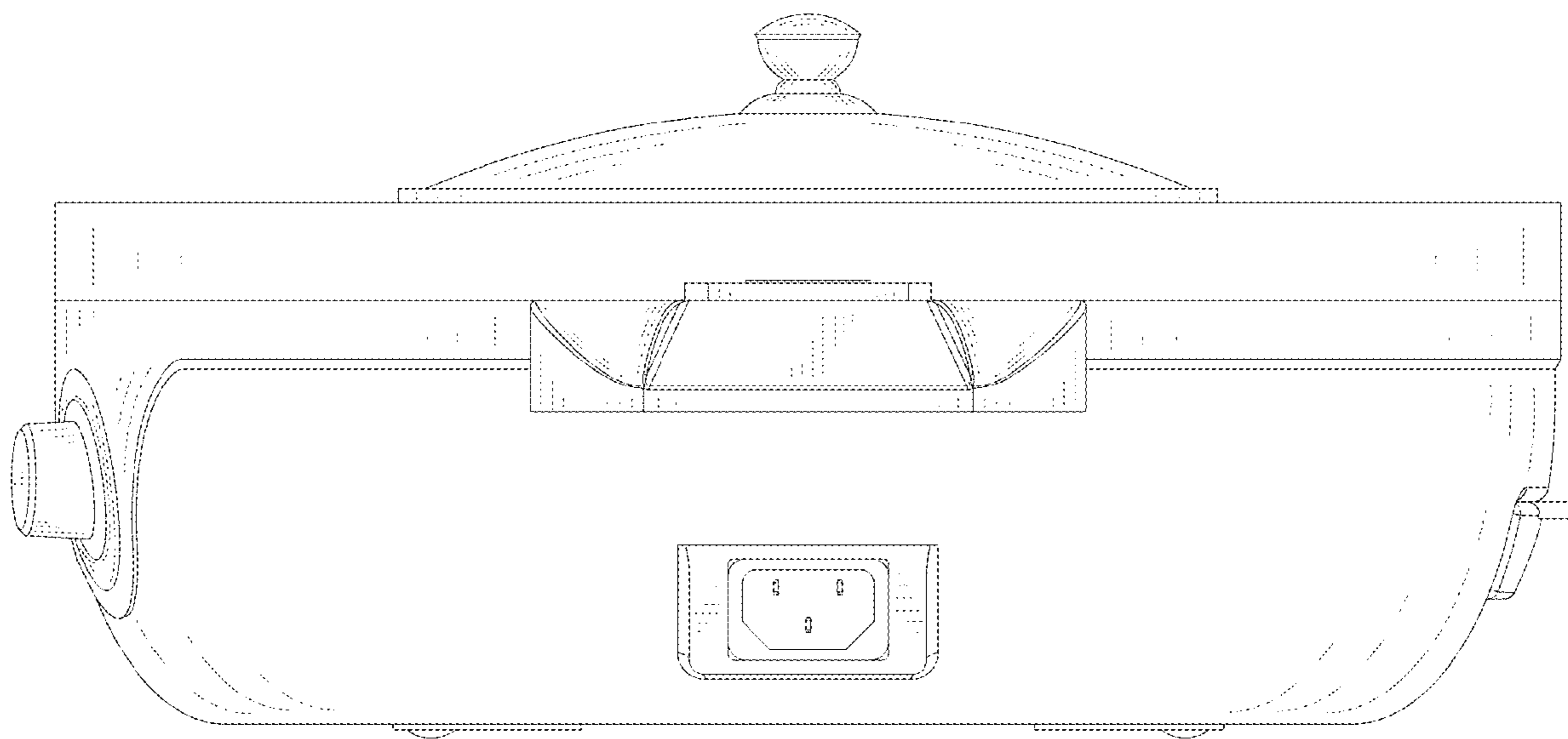


FIG.6

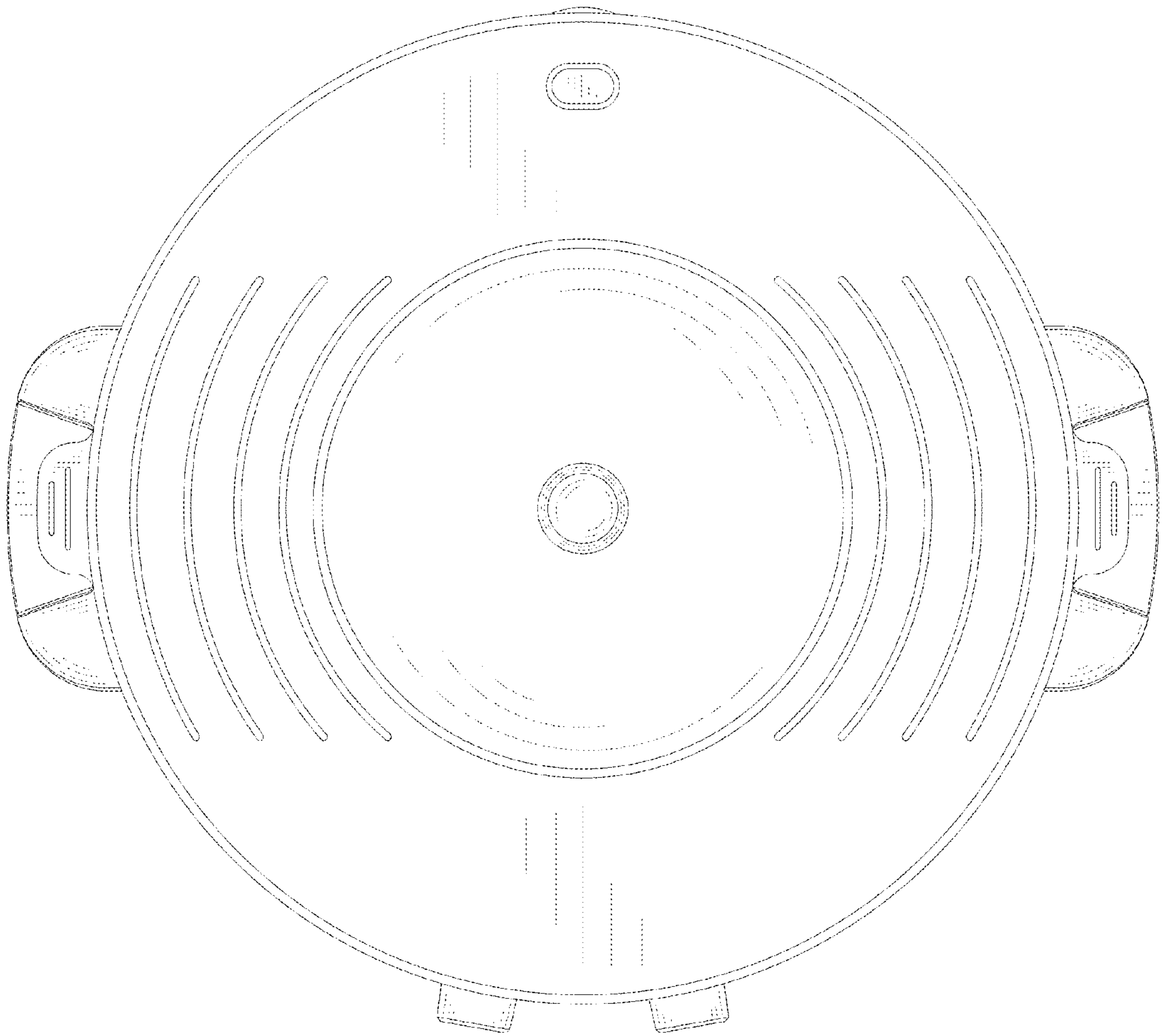


FIG. 7



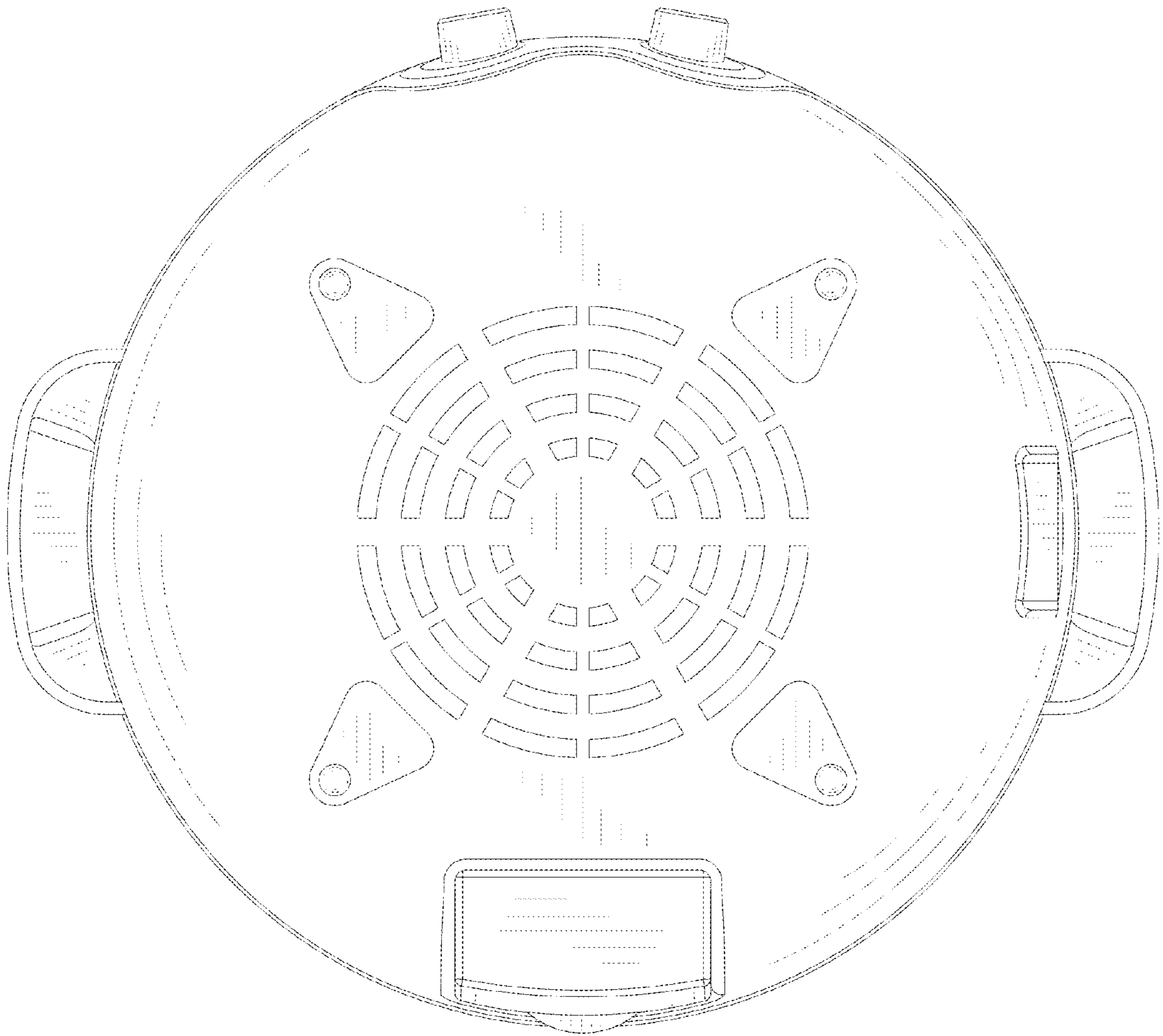


FIG.8