



US00D943336S

(12) **United States Design Patent**
Tan et al.

(10) **Patent No.:** **US D943,336 S**
(45) **Date of Patent:** **** Feb. 15, 2022**

(54) **AIR FRYER**
(71) Applicant: **MIDEA GROUP CO., LTD,**
Guangdong (CN)
(72) Inventors: **Mao Tan,** Guangdong (CN);
Chenglong Wu, Guangdong (CN);
Shoucheng Xu, Guangdong (CN)
(73) Assignee: **MIDEA GROUP CO., LTD,** Foshan
(CN)
(**) Term: **15 Years**
(21) Appl. No.: **35/511,110**

D801,103 S * 10/2017 Krooshof A47J 37/0641
D7/354
D839,040 S * 1/2019 Seymour D7/354
D873,600 S * 1/2020 Hu D7/354
D875,463 S * 2/2020 Chen A47J 37/0641
D7/354
D878,850 S * 3/2020 Hu A47J 37/0641
D7/354
D879,542 S * 3/2020 Chen D7/354
D882,329 S * 4/2020 Varjabedian A47J 37/0641
D7/354
D938,219 S * 12/2021 Wu A47J 37/049
D7/354
2014/0366746 A1* 12/2014 Tsai A47J 37/0641
99/403
2016/0192808 A1* 7/2016 Van Der Burg A47J 37/049
99/443 C

(22) Filed: **Oct. 15, 2020**

(80) **Hague Agreement Data**
Int. Filing Date: **Oct. 15, 2020**
Int. Reg. No.: **DM/211969**
Int. Reg. Date: **Oct. 15, 2020**
Int. Reg. Pub. Date: **Jan. 15, 2021**

FOREIGN PATENT DOCUMENTS

CN 202030128256.7 * 4/2020

* cited by examiner

Primary Examiner — Karen S Acker

(30) **Foreign Application Priority Data**

May 18, 2020 (CN) 202030228396.1

(51) **LOC (13) Cl.** **07-02**
(52) **U.S. Cl.**
USPC **D7/354**

(58) **Field of Classification Search**
USPC D7/300, 302, 316, 317, 318, 319, 350.1,
D7/354, 608, 619.1, 622, 629
CPC . A21B 2/00; A47J 43/27; A47G 19/22; H05B
6/64

See application file for complete search history.

(56) **References Cited**

U.S. PATENT DOCUMENTS

D719,397 S * 12/2014 Krooshof A47J 37/0641
D7/354
D787,260 S * 5/2017 Krooshof A47J 37/0641
D7/354

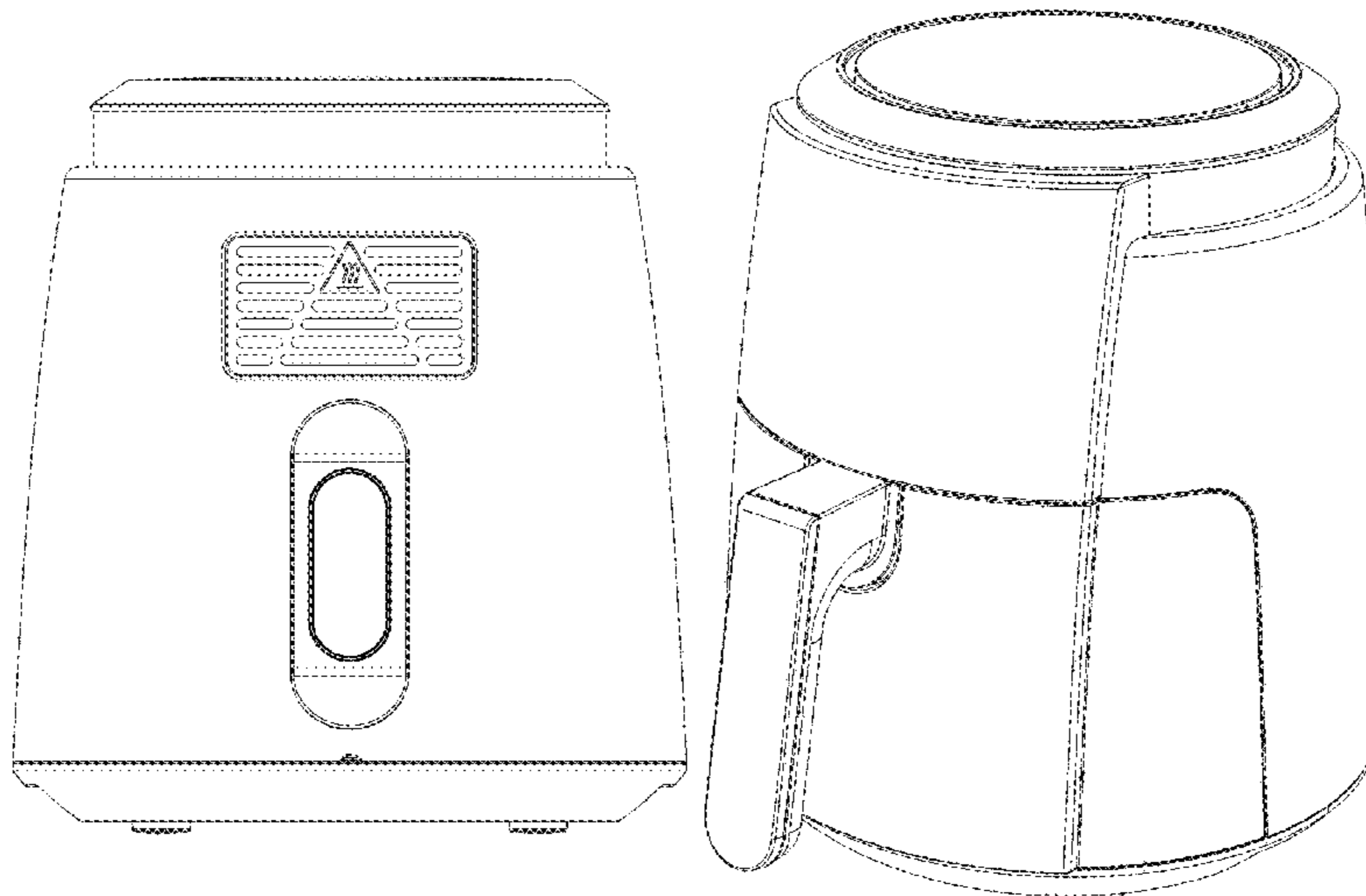
(57) **CLAIM**

The ornamental design for an air fryer, as shown and described.

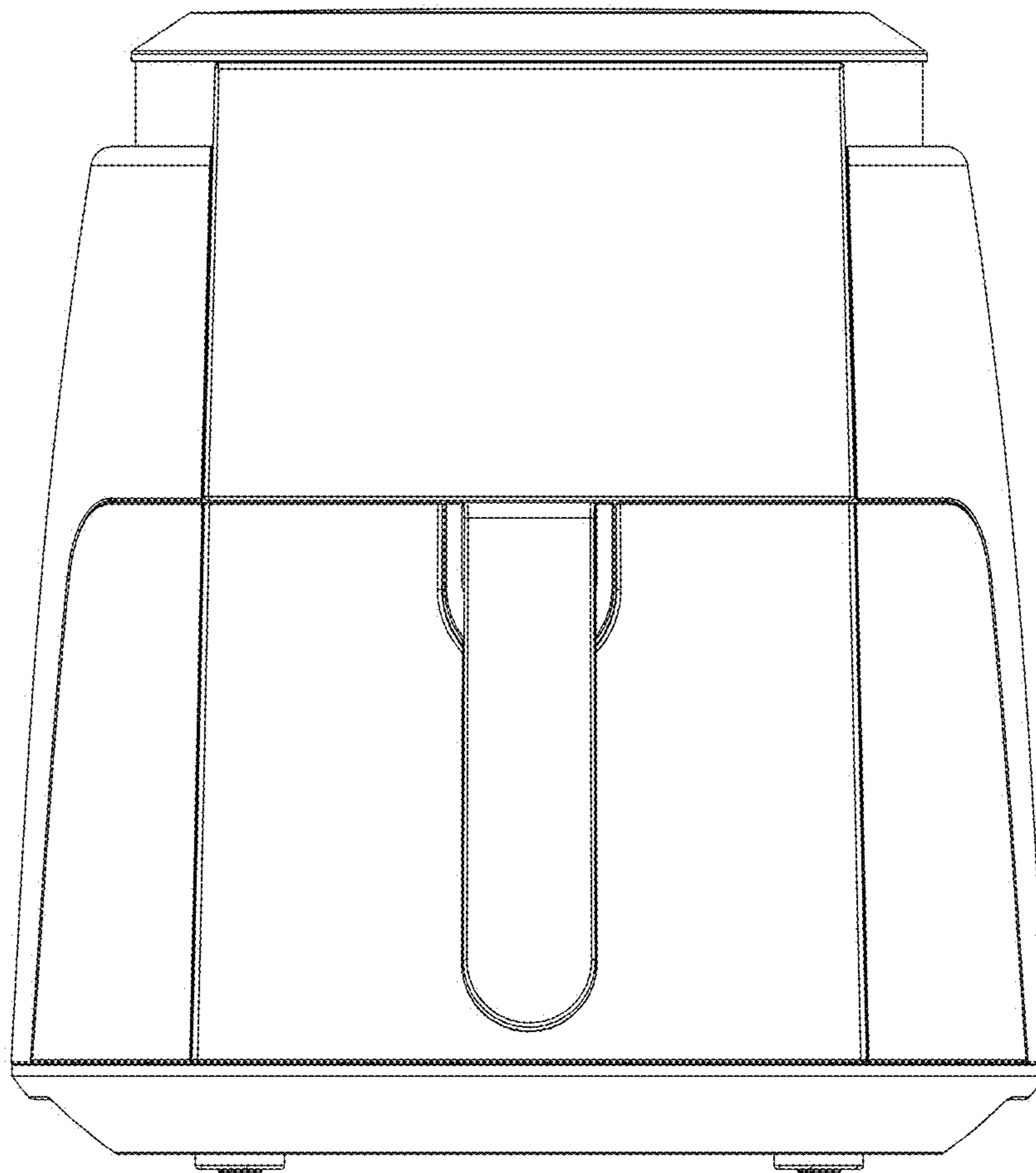
DESCRIPTION

- 1. Air fryer
- 1.1 : Front
- 1.2 : Back
- 1.3 : Left
- 1.4 : Right
- 1.5 : Top
- 1.6 : Bottom
- 1.7 : Perspective

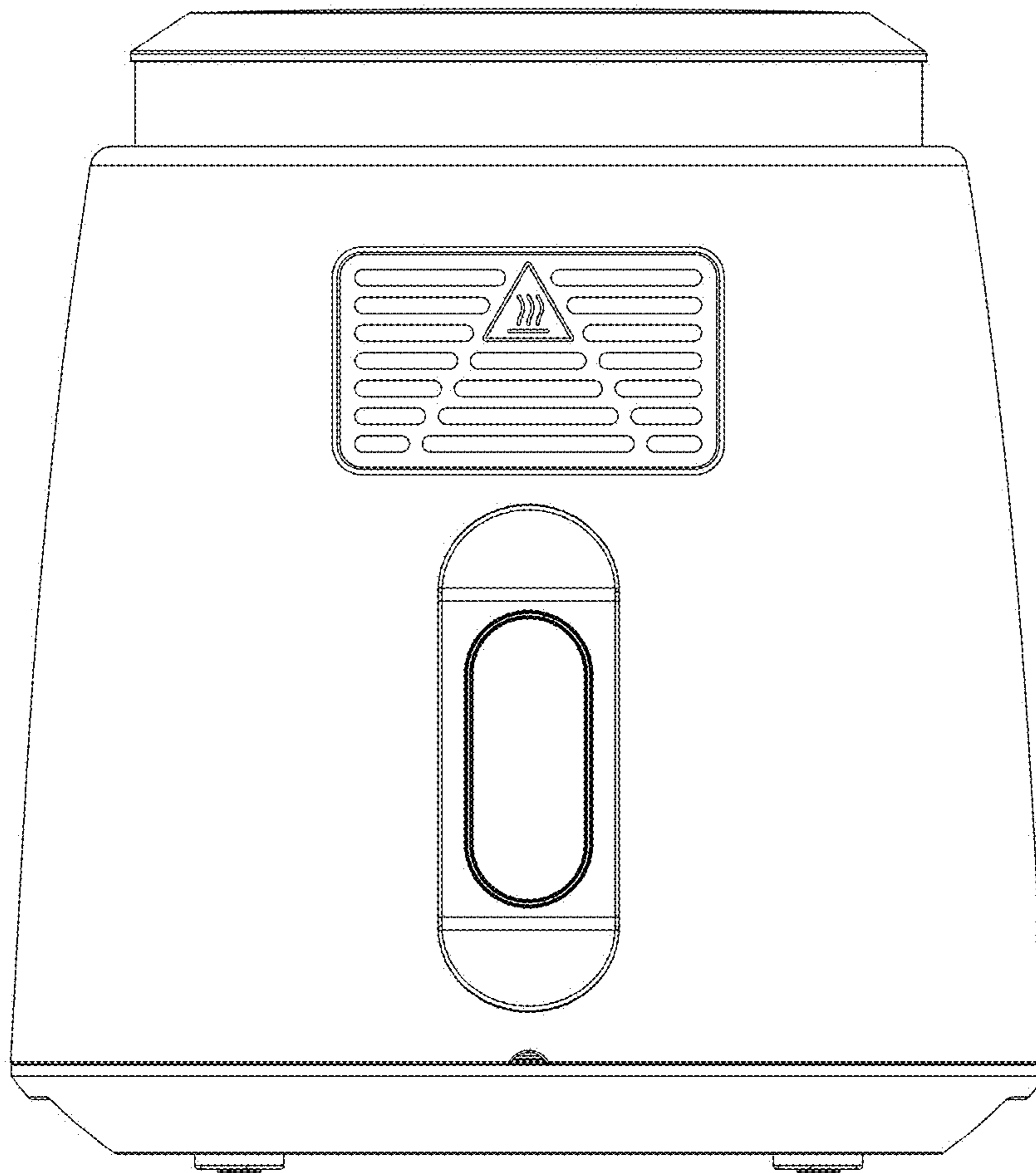
1 Claim, 7 Drawing Sheets

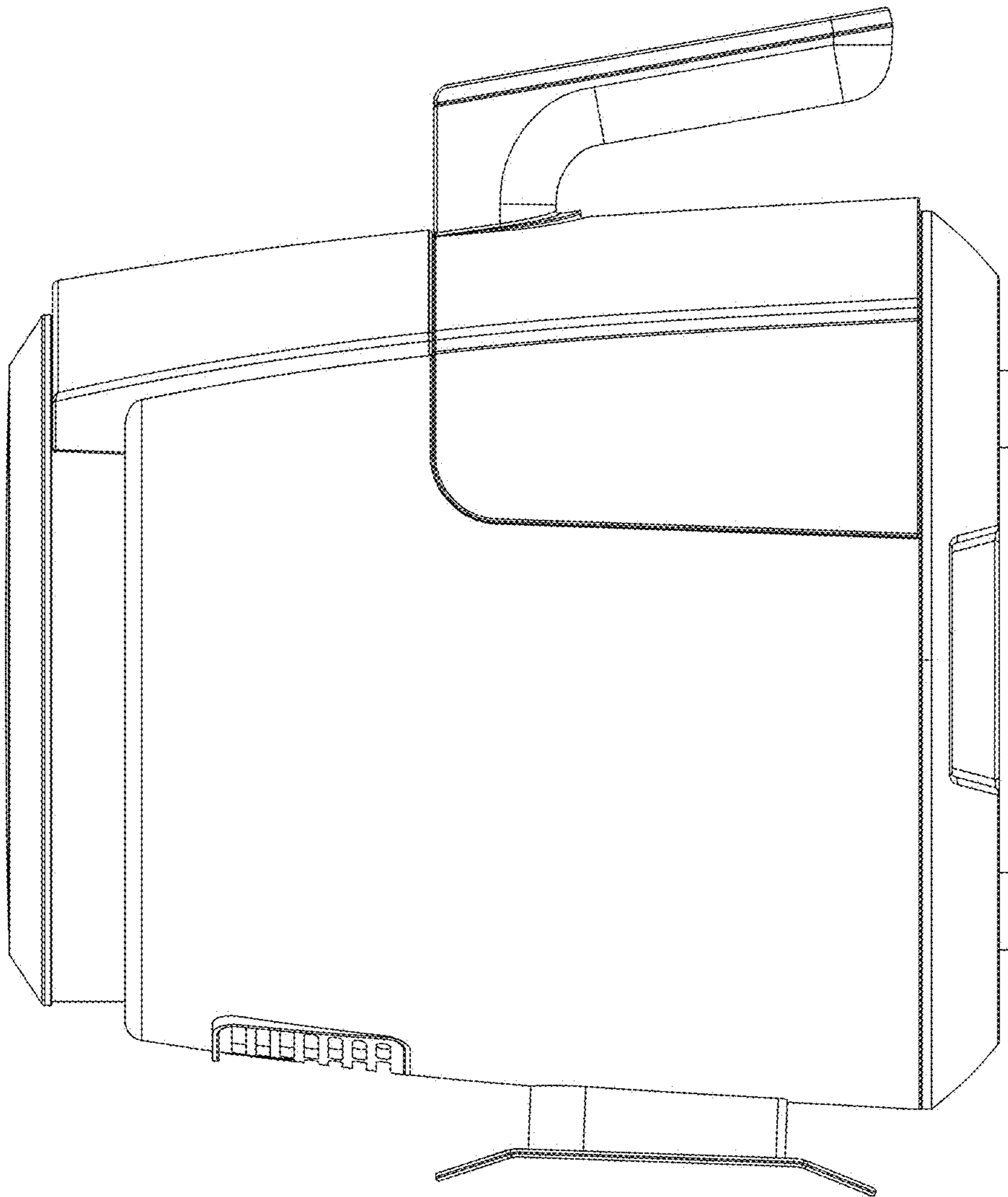


1.1

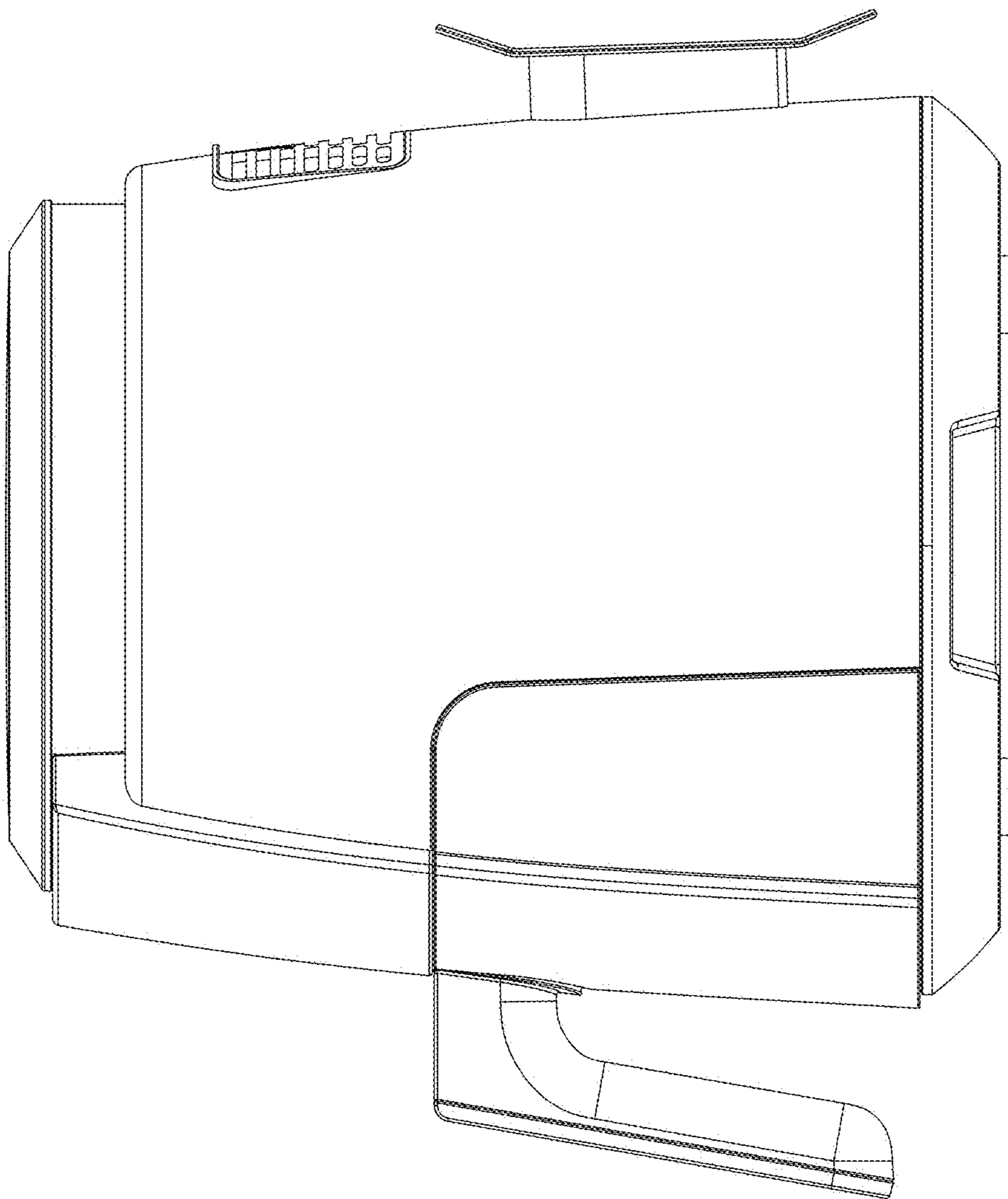


1.2



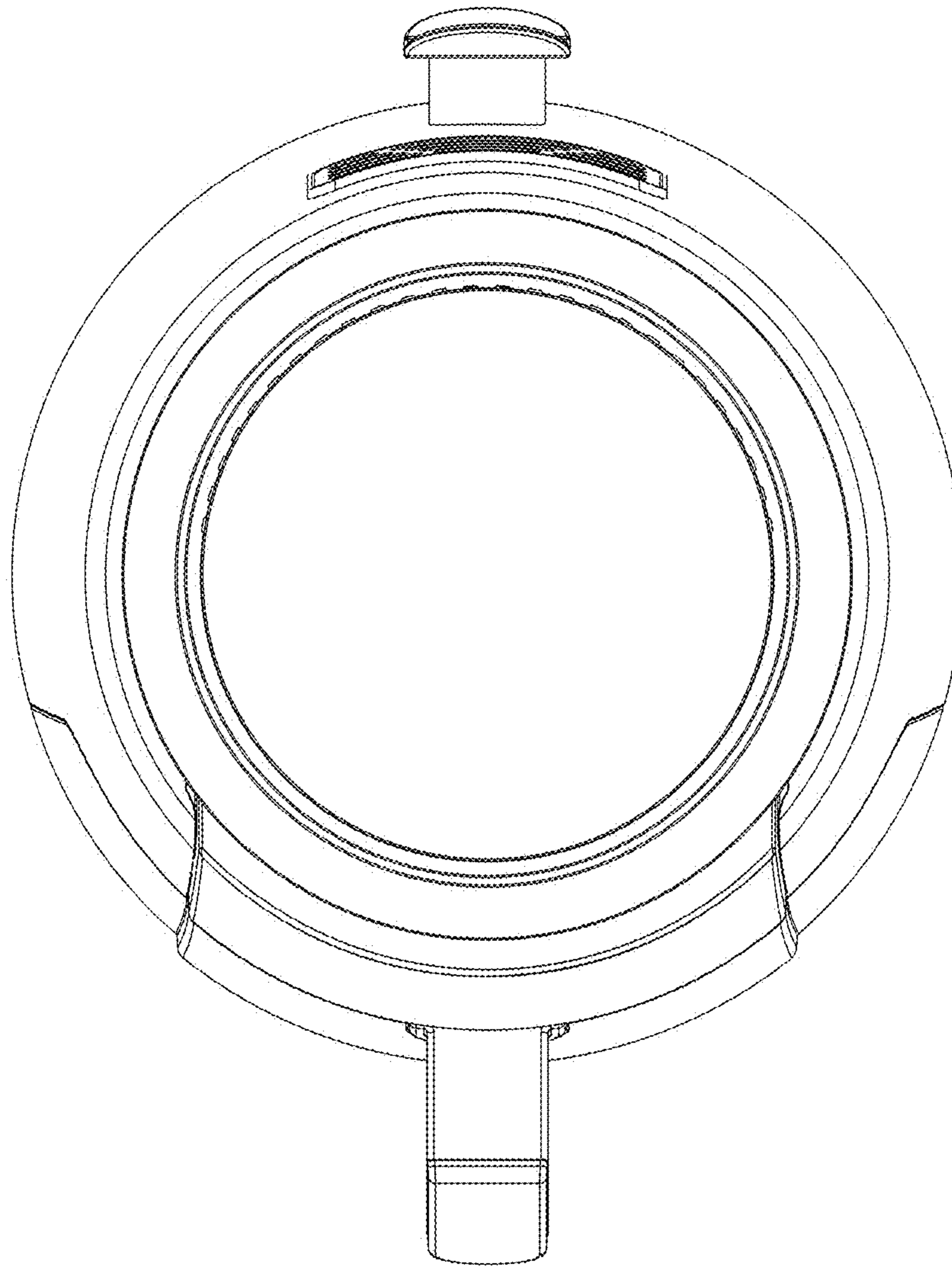


1.3

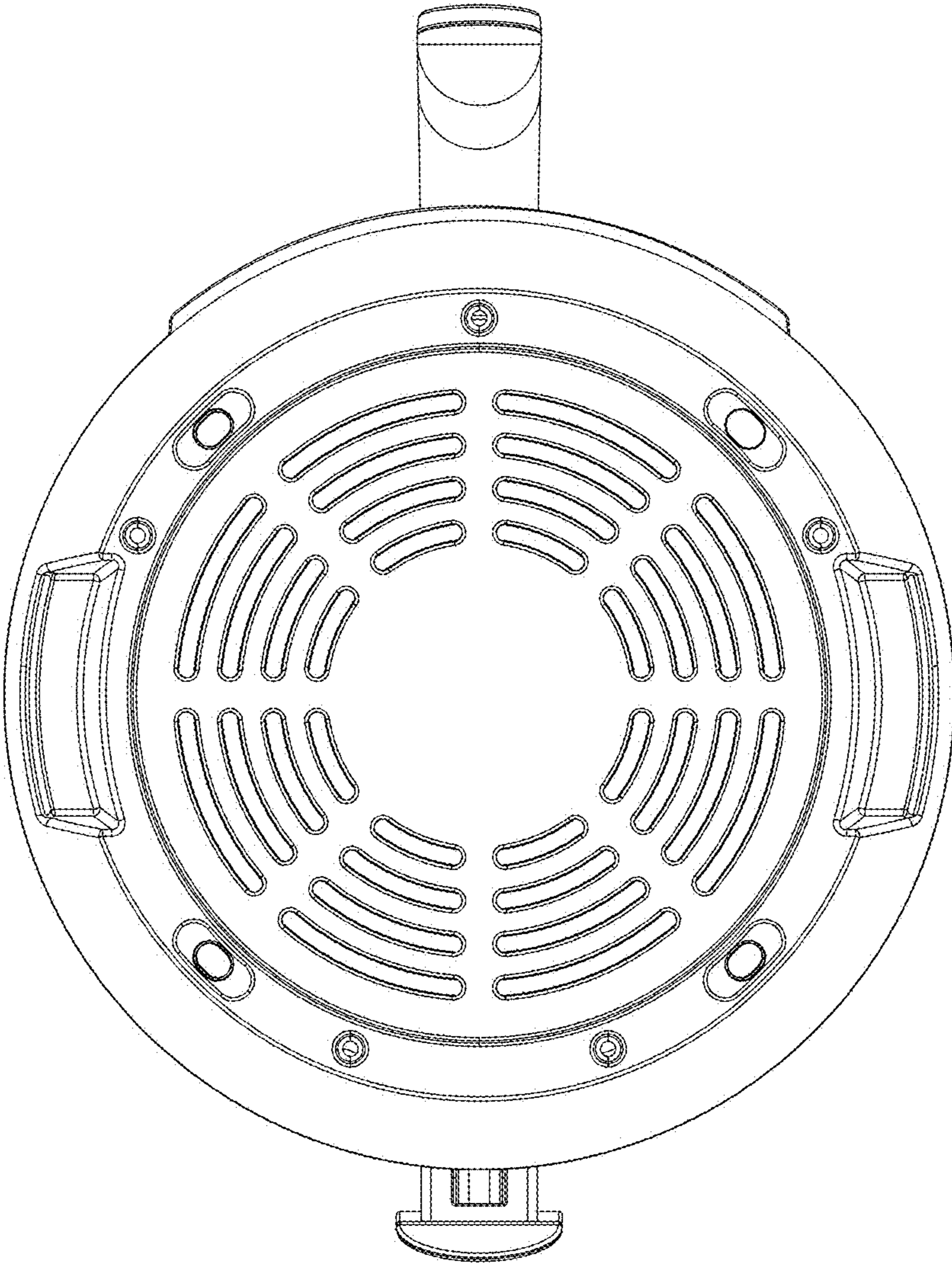


1.4

1.5



1.6



1.7

