



US00D943332S

(12) **United States Design Patent**  
**Dou et al.**

(10) **Patent No.:** **US D943,332 S**  
(45) **Date of Patent:** **\*\* Feb. 15, 2022**

(54) **WATER DISPENSER**  
(71) Applicant: **BEIJING XIAOMI MOBILE SOFTWARE CO., LTD.**, Beijing (CN)  
(72) Inventors: **Wenbo Dou**, Beijing (CN); **Ningning Li**, Beijing (CN); **Lei Zhang**, Beijing (CN); **Yao Xi**, Beijing (CN)  
(73) Assignee: **Beijing Xiaomi Mobile Software Co., Ltd.**, Beijing (CN)  
(\*\*) Term: **15 Years**  
(21) Appl. No.: **35/510,318**  
(22) Filed: **Mar. 10, 2020**  
(80) **Hague Agreement Data**  
Int. Filing Date: **Mar. 10, 2020**  
Int. Reg. No.: **DM/209435**  
Int. Reg. Date: **Mar. 10, 2020**  
Int. Reg. Pub. Date: **Sep. 18, 2020**

(30) **Foreign Application Priority Data**  
Sep. 16, 2019 (CN) ..... 201930507939.0  
(51) **LOC (13) Cl.** ..... **07-01**  
(52) **U.S. Cl.**  
USPC ..... **D7/311**  
(58) **Field of Classification Search**  
USPC ..... D7/300, 306, 309, 311, 399; D23/202, D23/209  
CPC ..... A47J 31/00; A47J 31/005; A47J 31/02  
See application file for complete search history.

(56) **References Cited**  
U.S. PATENT DOCUMENTS  
D159,502 S \* 8/1950 McCowan, Jr. .... D7/311  
D194,644 S \* 2/1963 Jacobs ..... D7/311  
D242,084 S \* 10/1976 Moreton ..... D7/311  
D251,564 S \* 4/1979 MacKrell ..... D7/311  
D254,184 S \* 2/1980 Martin ..... D7/311

D255,529 S \* 6/1980 Dziekonski ..... D7/309  
D309,395 S \* 7/1990 Thompson ..... D7/311  
D315,493 S \* 3/1991 Cleland ..... D6/574  
D316,005 S \* 4/1991 Thompson ..... D7/311  
D358,290 S \* 5/1995 Schroeder ..... D7/309  
D375,431 S \* 11/1996 Credle, Jr. .... D7/306  
D413,756 S \* 9/1999 van der Veen ..... D7/306  
D454,023 S \* 3/2002 Wang ..... D7/309  
(Continued)

**FOREIGN PATENT DOCUMENTS**

JP D1679631 \* 2/2021

**OTHER PUBLICATIONS**

AliExpress website, Xiaomi Mijia Instant Hot Water Dispenser, Publication date unknown, [site visited Jun. 26, 2021], Available on the Internet URL [www.aliexpress.com/item/1005001873112372.html](http://www.aliexpress.com/item/1005001873112372.html) (Year: 2021).\*

*Primary Examiner* — S. Bryan Reinholdt, Jr.  
(74) *Attorney, Agent, or Firm* — Amster, Rothstein & Ebenstein LLP

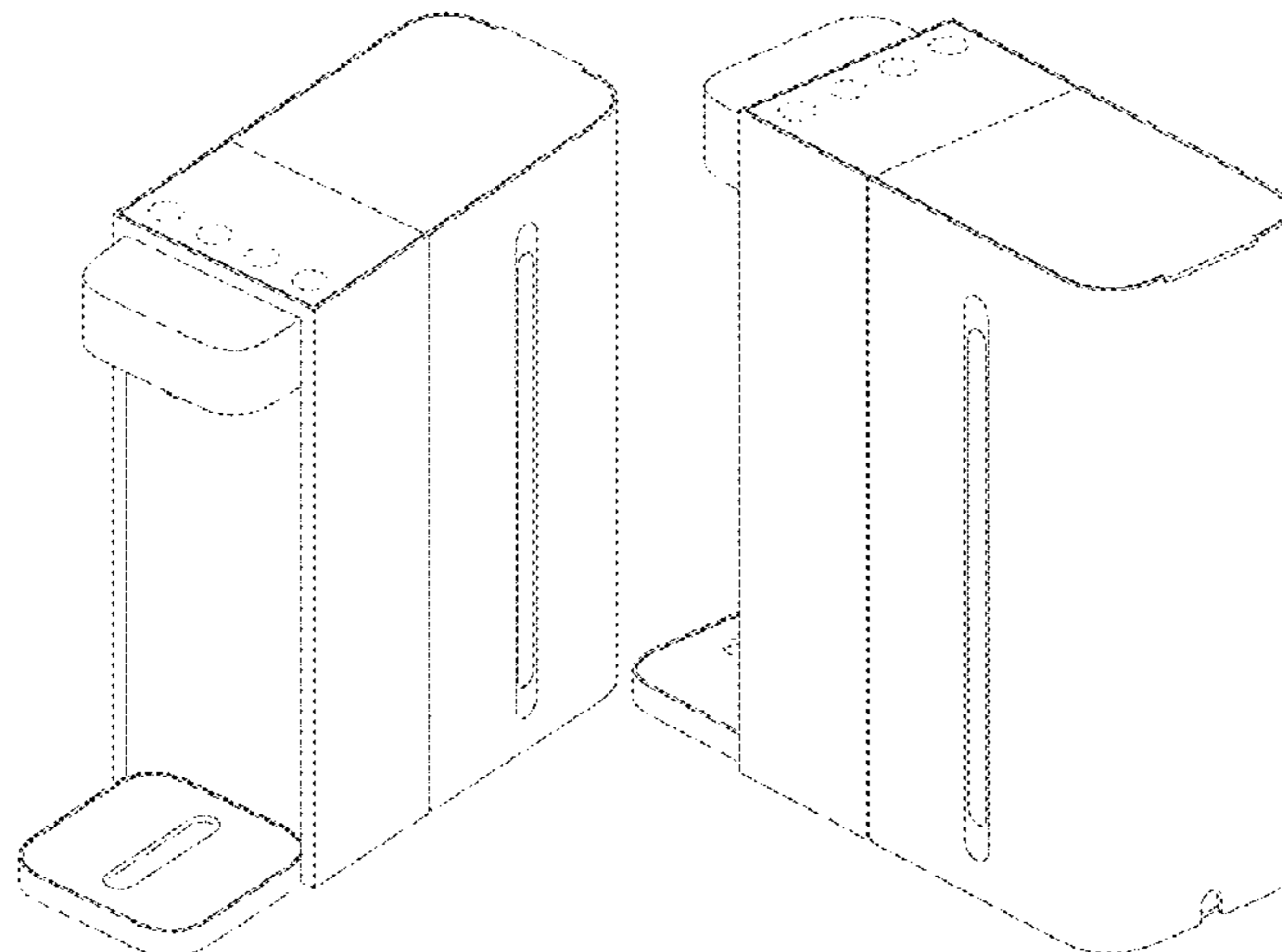
(57) **CLAIM**

The ornamental design for a water dispenser, as shown and described.

**DESCRIPTION**

1. Water dispenser  
1.1 is a front view of a water dispenser showing our new design;  
1.2. is a back view thereof;  
1.3 is a left view thereof, while the right view thereof is symmetrical with the left view and is thereby omitted;  
1.4 is a top view thereof;  
1.5 is a bottom view thereof;  
1.6 is a perspective view thereof; and  
1.7 is another perspective view thereof.  
The broken lines and the areas within them depict portions of the water dispenser that form no part of the claimed design.

**1 Claim, 7 Drawing Sheets**



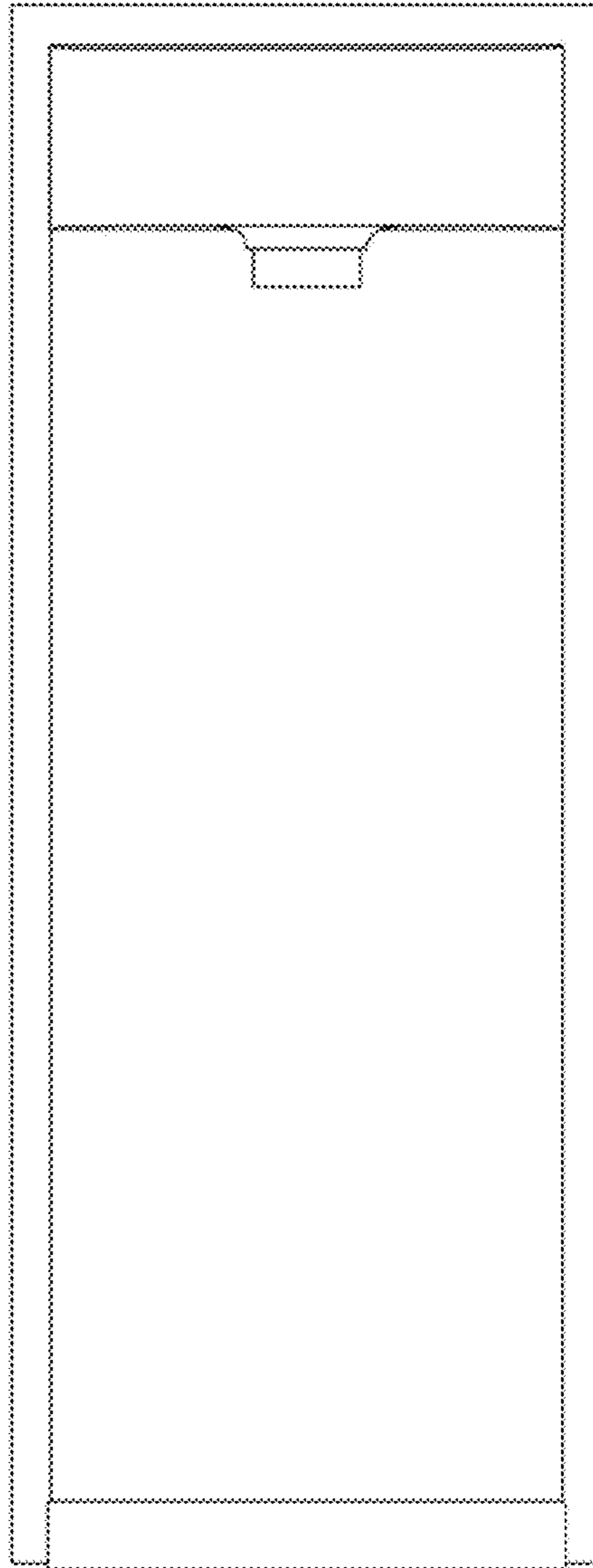
(56)

## References Cited

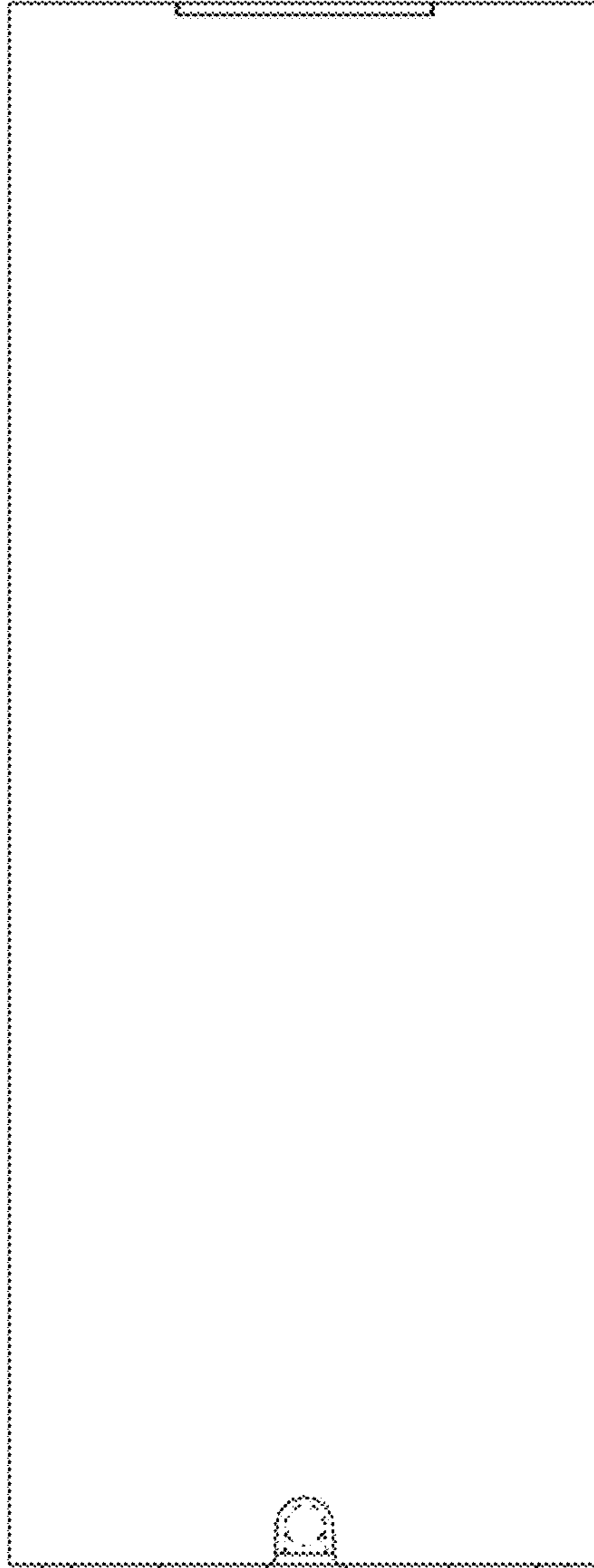
## U.S. PATENT DOCUMENTS

D555,968 S \* 11/2007 Pfeifer ..... D7/306  
D573,392 S \* 7/2008 Smith ..... D7/306  
D603,932 S \* 11/2009 Natrass ..... D23/202  
D636,214 S \* 4/2011 Parker ..... D7/306  
D648,971 S \* 11/2011 Goralski ..... D7/306  
D669,154 S \* 10/2012 Choi ..... D23/207  
D676,701 S \* 2/2013 Chung ..... D7/307  
D702,476 S \* 4/2014 Minica ..... B67D 1/0037  
D710,140 S \* 8/2014 De'Longhi ..... D7/306  
D731,839 S \* 6/2015 Tomasson ..... D7/306  
D741,101 S \* 10/2015 Luippold ..... D7/306  
D774,820 S \* 12/2016 Yang ..... D7/306  
D777,498 S \* 1/2017 Bandixen ..... D7/306  
D815,481 S \* 4/2018 Wendt ..... D7/306  
D817,061 S \* 5/2018 Lissoni ..... D7/309  
D853,772 S \* 7/2019 Park ..... D7/307  
D876,866 S \* 3/2020 Haas ..... D7/306  
D888,485 S \* 6/2020 Kim ..... D7/306  
2011/0107918 A1 \* 5/2011 Santy ..... B67D 1/0048  
99/275  
2016/0120360 A1 \* 5/2016 Saunders ..... A47J 31/462  
99/295  
2017/0050835 A1 \* 2/2017 Moon ..... H05B 6/108  
2017/0050836 A1 \* 2/2017 Yoon ..... B67D 1/08  
2018/0002153 A1 \* 1/2018 Kim ..... B67D 1/0888

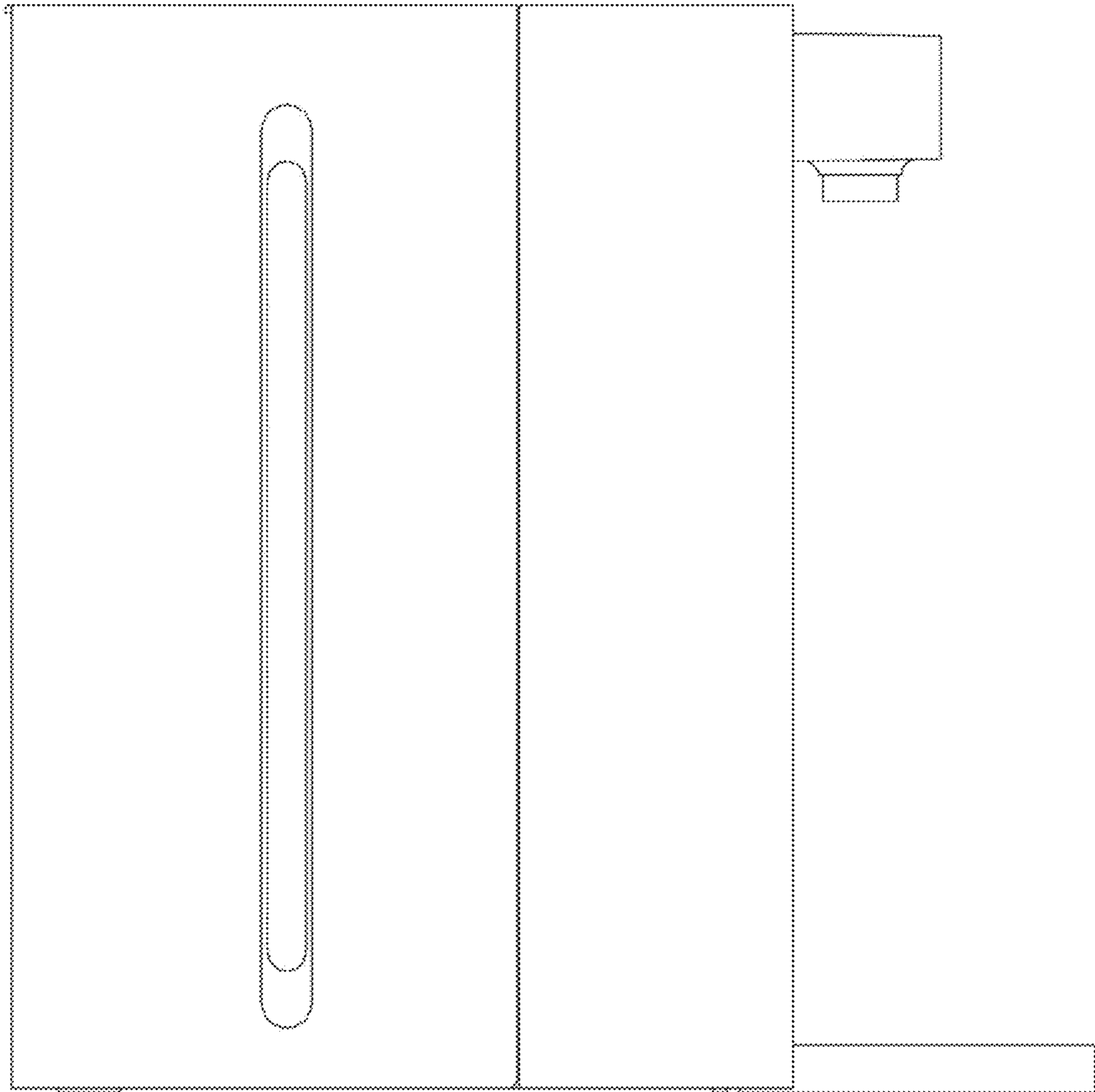
\* cited by examiner



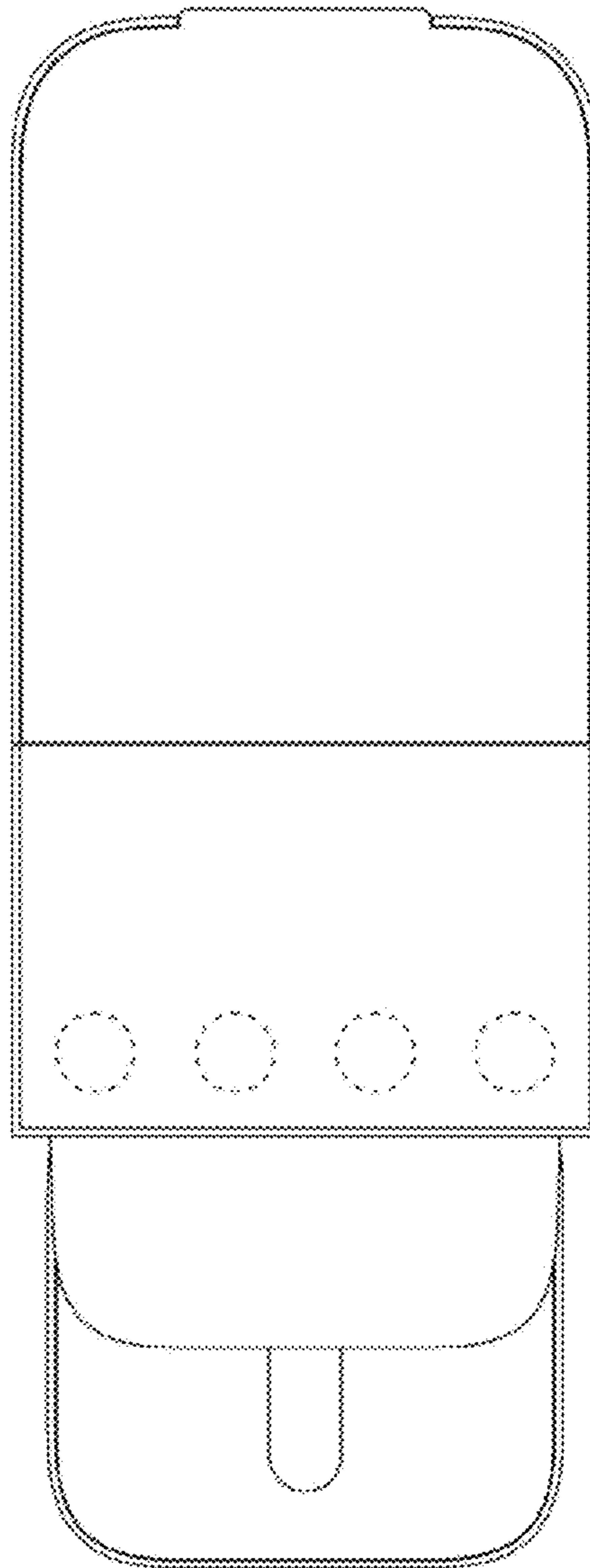
**1.1**



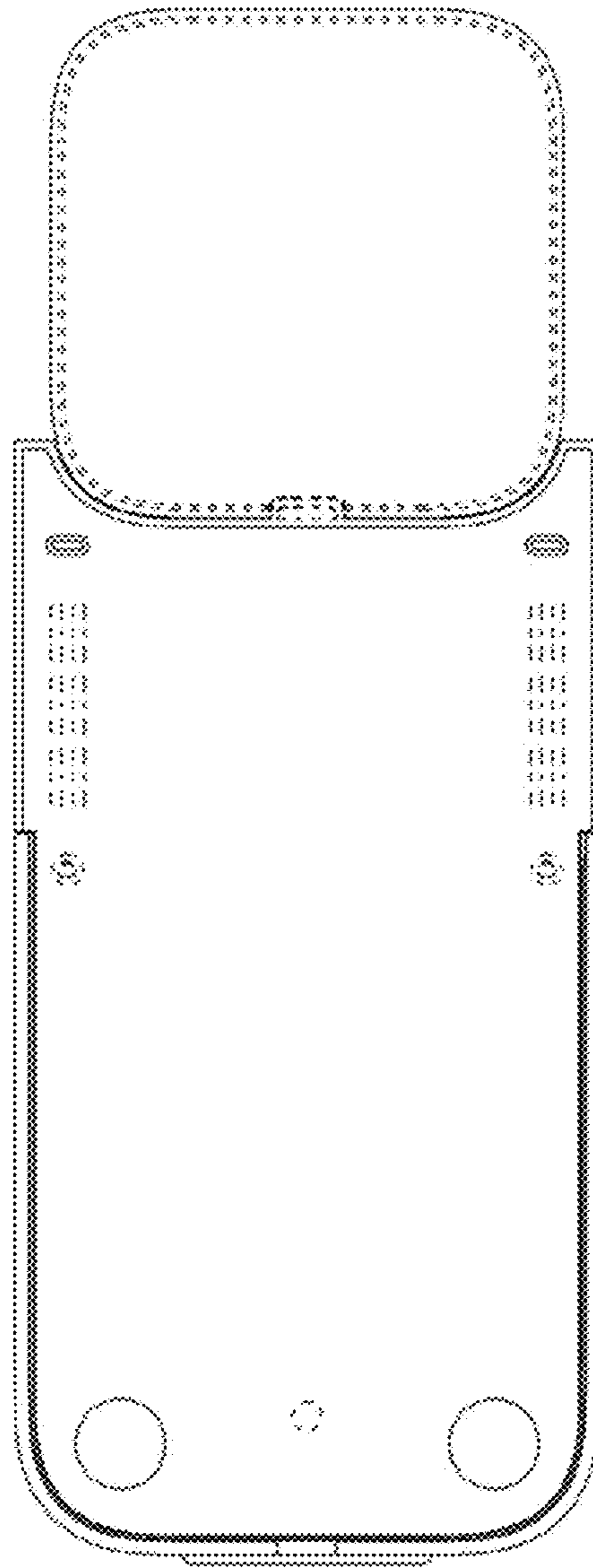
**1.2**



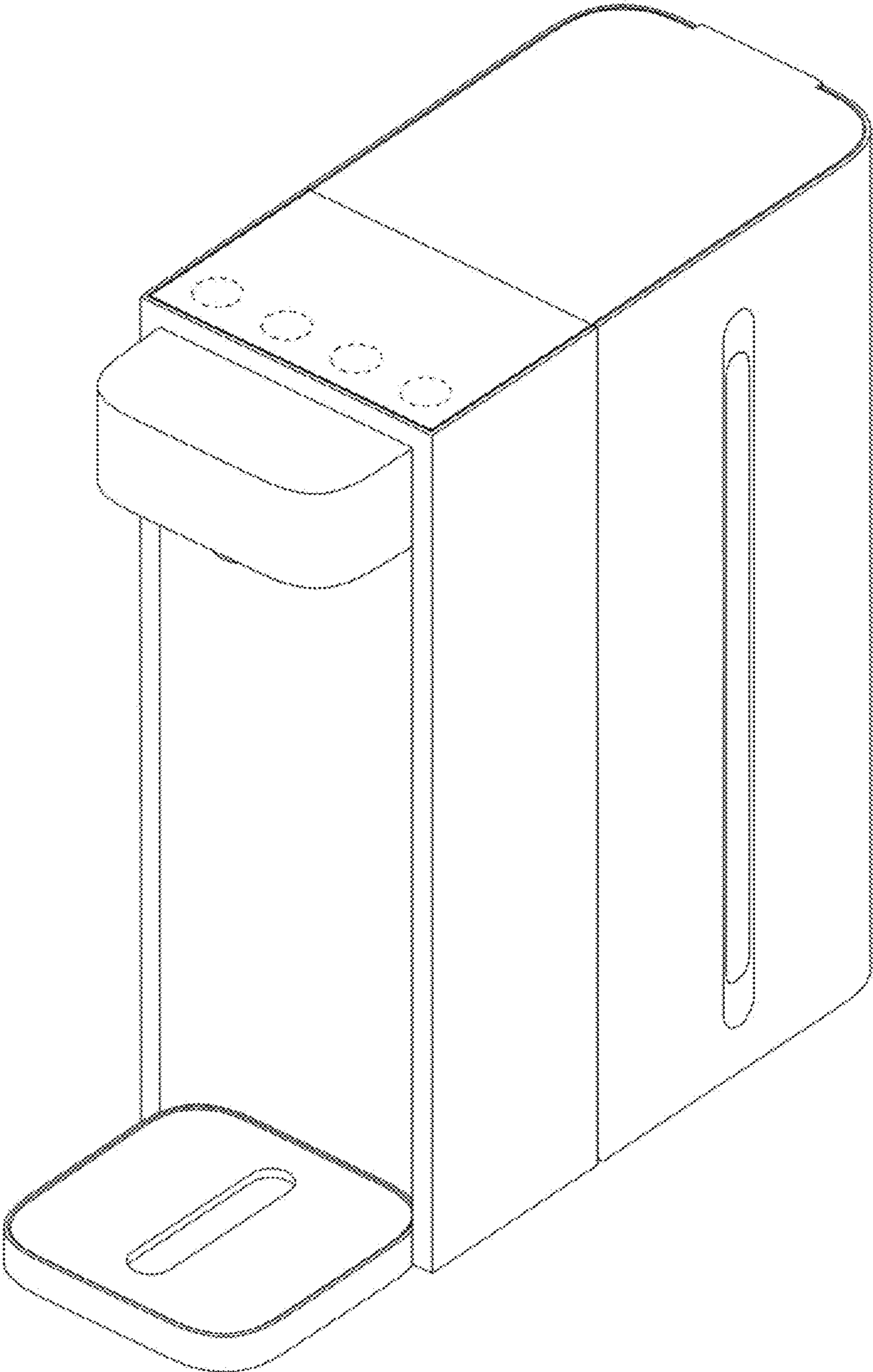
1.3



1.4

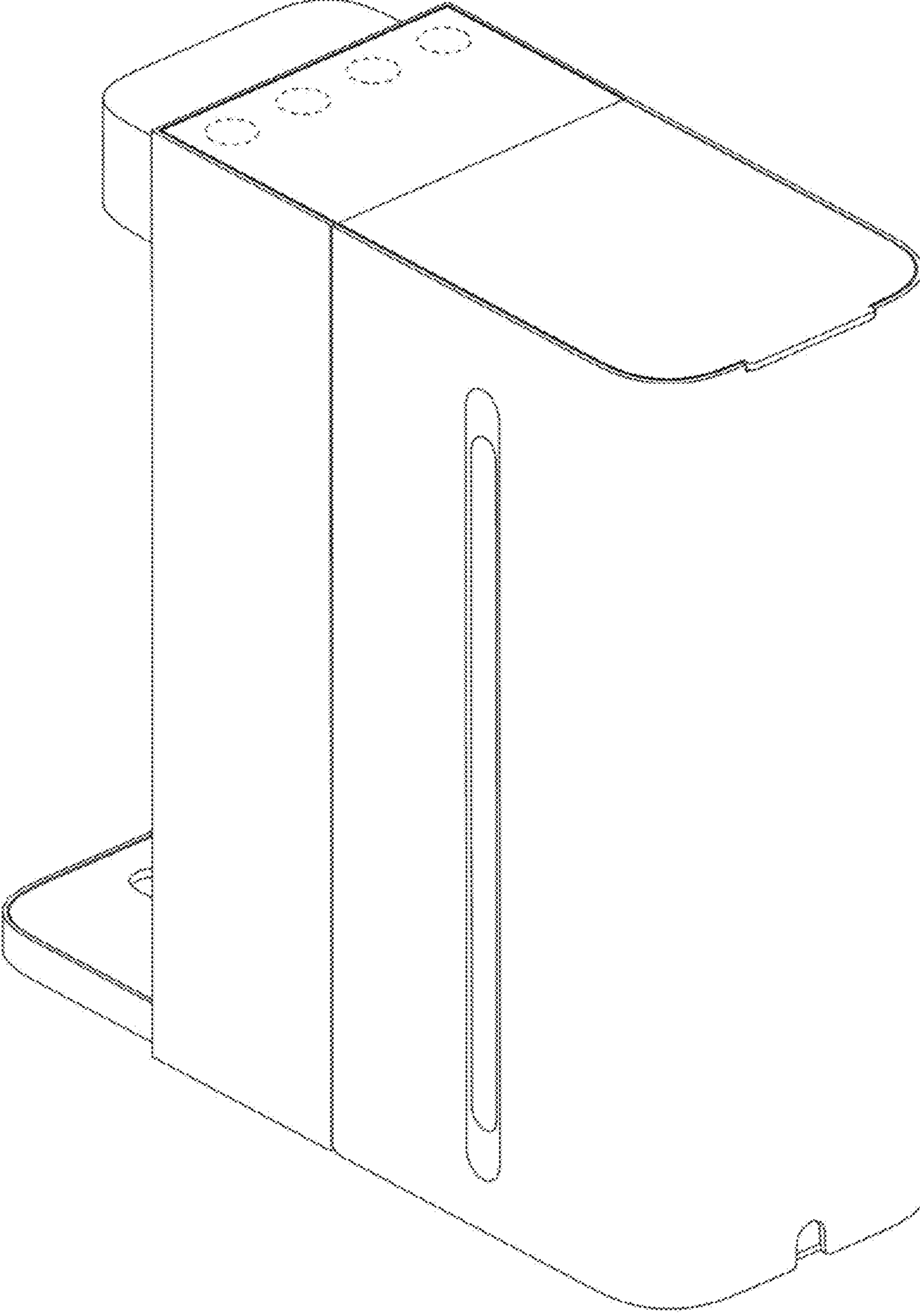


1.5



1.6





1.7