



US00D943330S

(12) **United States Design Patent** (10) **Patent No.:** **US D943,330 S**
Choi et al. (45) **Date of Patent:** **** Feb. 15, 2022**

(54) **COFFEE MAKER**

(56) **References Cited**

(71) Applicant: **SAMSUNG ELECTRONICS CO., LTD.**, Suwon-si (KR)

U.S. PATENT DOCUMENTS

D173,817 S * 1/1955 Pavlak D7/349
D248,008 S * 5/1978 Wojtowicz D7/351

(72) Inventors: **Hwanwoong Choi**, Suwon-si (KR);
Gerhardt Kellermann, Munich (DE);
Ana Relvao, Munich (DE); **Hyunsoo Kim**,
Suwon-si (KR); **Gisung Han**, Suwon-si (KR);
Bokyeong Lee, Suwon-si (KR)

(Continued)

FOREIGN PATENT DOCUMENTS

CN 301732630 * 11/2011
CN 302515935 * 7/2013

(Continued)

(73) Assignee: **SAMSUNG ELECTRONICS CO., LTD.**, Gyeonggi-Do (KR)

OTHER PUBLICATIONS

Stefan, "Top 5 Built-In Coffee Machines That Makes Your Life Easier," Sep. 14, 2010, Homedit, www.homedit.com/top-5-built-in-coffee-machines-that-makes-your-life-easier/ (Year: 2010).*

(Continued)

(**) Term: **15 Years**

Primary Examiner — Shannon W Morgan

Assistant Examiner — Arva P Adams

(21) Appl. No.: **29/698,318**

(74) *Attorney, Agent, or Firm* — Cantor Colburn LLP

(22) Filed: **Jul. 16, 2019**

(30) **Foreign Application Priority Data**

(57) **CLAIM**

The ornamental design for a coffee maker, as shown and described.

Jan. 17, 2019 (KR) 30-2019-0002644

(51) **LOC (13) Cl.** **07-01**

DESCRIPTION

(52) **U.S. Cl.**

USPC **D7/309**; D7/311

(58) **Field of Classification Search**

USPC D7/300, 305–313, 348, 349, 350.1,
D7/397–399, 405, 665; D10/49, 106.1,
D10/106.95; D13/158, 162, 163, 171,
D13/177; D15/82; D23/207

CPC A47J 19/00; A47J 19/02; A47J 19/023;
A47J 19/027; A47J 19/06; A47J 19/50;
A47J 31/00; A47J 31/005; A47J 31/0576;
A47J 31/0657; A47J 31/0668; A47J
31/10; A47J 31/24; A47J 31/3633; A47J
31/40;

FIG. 1 is a front perspective view of a coffee maker, showing our new design;

FIG. 2 is a front view thereof;

FIG. 3 is a rear view thereof;

FIG. 4 is a left-side view thereof;

FIG. 5 is a right-side view thereof;

FIG. 6 is a top view thereof;

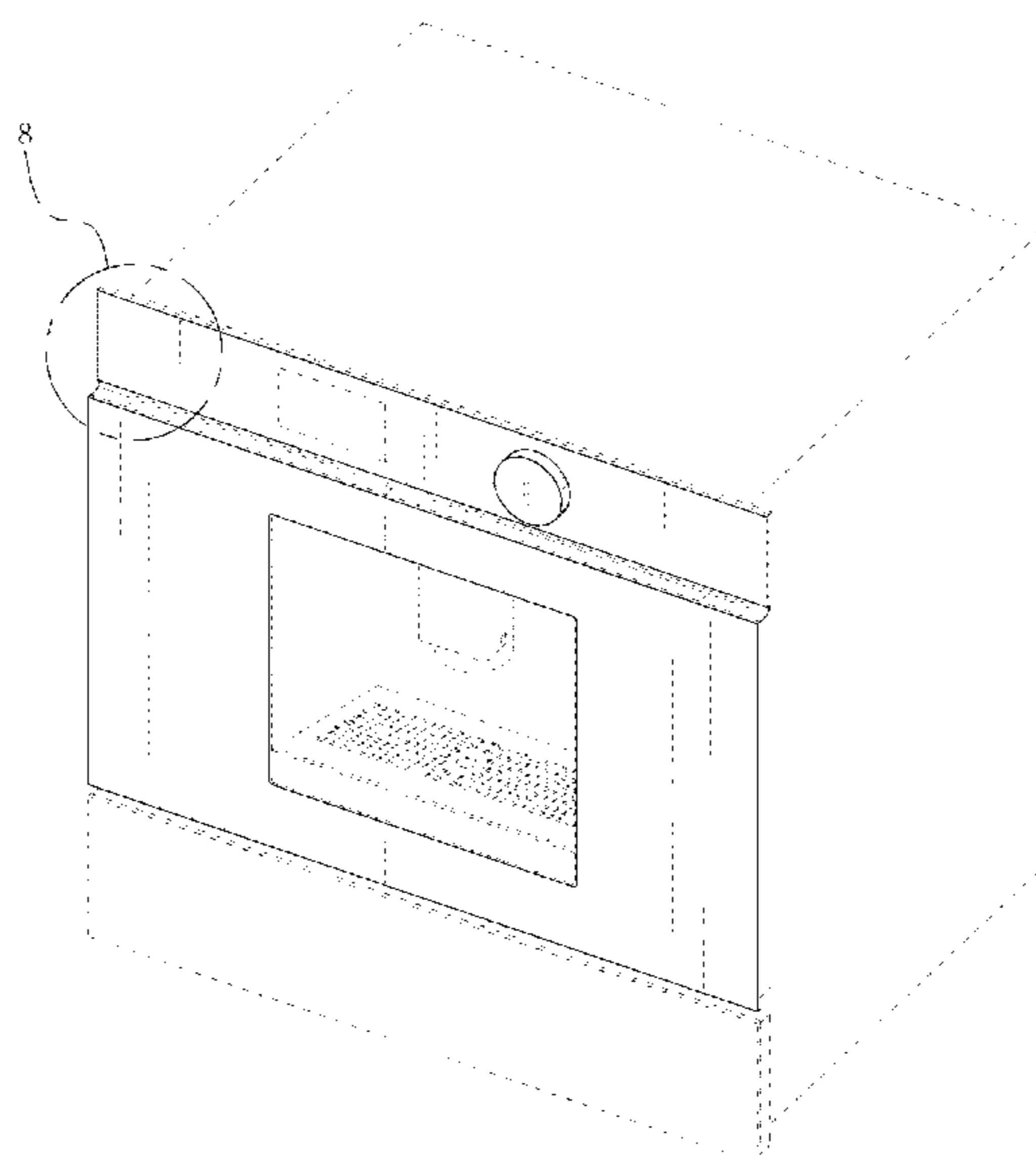
FIG. 7 is a bottom view thereof; and,

FIG. 8 is an enlarged view of the encircled portion 8 in FIG. 1.

The even-dash broken lines illustrating portions of the coffee maker form no part of the claimed design. The dot-dash broken lines encircling enlargement portions of the claimed design form no part of the claimed design.

(Continued)

1 Claim, 8 Drawing Sheets



(58) **Field of Classification Search**

CPC A47J 31/44; A47J 31/4403; A47J 31/4485;
 A47J 31/46; A47J 31/467; B01D 35/02;
 B67D 1/0022; B67D 1/0023; B67D
 1/0024; B67D 1/0041; B67D 1/0085;
 B67D 1/0089; B67D 1/07; B67D 1/16;
 B67D 2001/0087; B67D 2001/0091;
 B67D 3/00; C02F 1/003; C02F 2209/445;
 C12G 3/06; F24C 15/028

See application file for complete search history.

(56) **References Cited**

U.S. PATENT DOCUMENTS

D541,578 S * 5/2007 Jeon D7/350.1
 D542,588 S * 5/2007 Jeon, III D7/350.1
 D604,988 S * 12/2009 Yalcin D7/349
 D614,441 S * 4/2010 Cesa F24C 7/08
 D618,488 S * 6/2010 Knochner F24C 15/006
 D654,298 S * 2/2012 Benold D7/350.1
 D654,299 S * 2/2012 Benold D7/350.1
 D668,107 S * 10/2012 Borjesson D7/405
 D675,472 S * 2/2013 Strayle D7/309
 D690,994 S * 10/2013 Baek D7/405
 8,578,924 B2 * 11/2013 Elkasevic F24C 15/006
 D706,567 S * 6/2014 Strayle D7/309
 D707,486 S * 6/2014 Borjesson D7/309
 D728,300 S * 5/2015 Borjesson D7/349
 D738,672 S * 9/2015 Baacke D7/348
 D750,414 S * 3/2016 Funnell, II D7/348
 D762,086 S * 7/2016 Kim D7/405
 D773,892 S * 12/2016 Miron D7/405
 D784,065 S * 4/2017 Goss D7/349
 D805,831 S * 12/2017 Sadtler D7/309
 D805,833 S * 12/2017 Baacke D7/348

D828,090 S * 9/2018 Kim F24C 15/006
 D7/405
 2009/0032010 A1 * 2/2009 Hoffmeier F24C 15/006
 126/198
 2018/0003395 A1 * 1/2018 Reinhard-Herrscher
 F24C 7/08

FOREIGN PATENT DOCUMENTS

CN 303351127 * 8/2015
 CN 303390010 * 9/2015
 CN 303497040 * 12/2015
 CN 304418815 S 12/2017
 CN 304418820 S 12/2017
 CN 304709281 * 7/2018
 CN 304709283 * 7/2018
 CN 304841637 S 10/2018
 CN 305641973 * 3/2020
 EM 000177183-0001 * 8/2004
 EM 001341473-0003 9/2012
 EM 002176081-0002 * 2/2014
 EM 002529370-0036 11/2014
 RU 00068842 * 1/2009
 RU 00110279 * 8/2018
 WO WO-D042803-003 * 4/1998
 WO WO-D100095-003 * 7/2018

OTHER PUBLICATIONS

Avenell, Patrick, "Super Six! The Best Built-In Coffee Machines for 2015," Apr. 1, 2015, Appliance Retailer, www.applianceretailer.com.au/super-six-the-best-built-in-coffee-machines-for-2015/#.YU0TvMpKiUk (Year: 2015).*

La Cuisine International, "Smeg CMSCU451S 24" Linea Built-In Coffee Machine with Milk Frother," May 27, 2017, Amazon.com, www.amazon.com/dp/B07DCXL1CS (Year: 2017).*

Nexstar Media Inc., "Not just any cup of Joe—Bosch built-in coffee maker," Aug. 15, 2017, Nexstar Media Inc., www.khon2.com/living-808/not-just-any-cup-of-joe-bosch-built-in-coffee-maker/ (Year: 2017).*

Bosch, "Bosch BCM8450UC 24 Inch Wide Built-In Automatic Coffee Machine with Home Connect," Sep. 13, 2018, Amazon.com, www.amazon.com/dp/B077H6JT9P (Year: 2018).*

* cited by examiner

FIG. 1

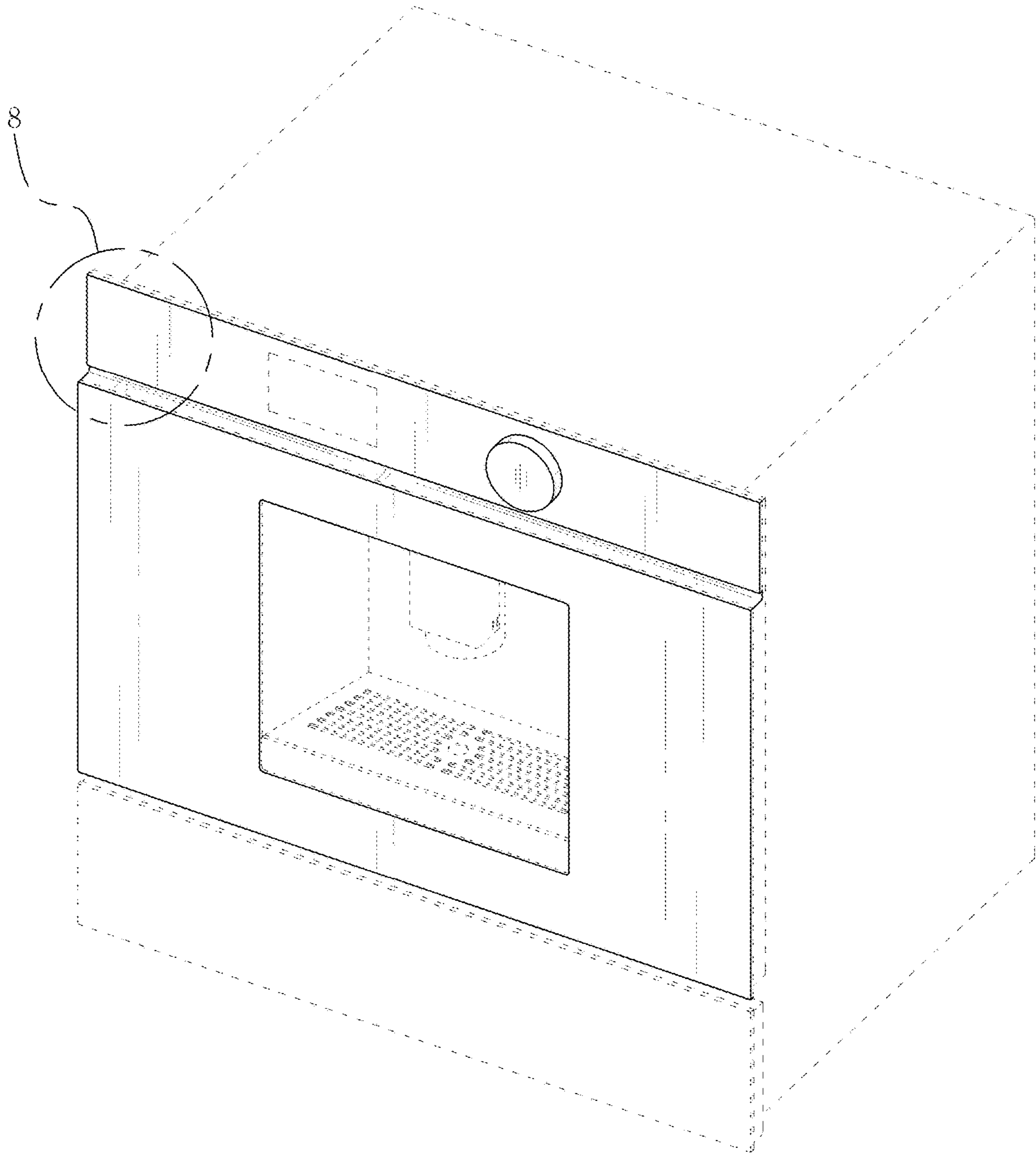


FIG. 2

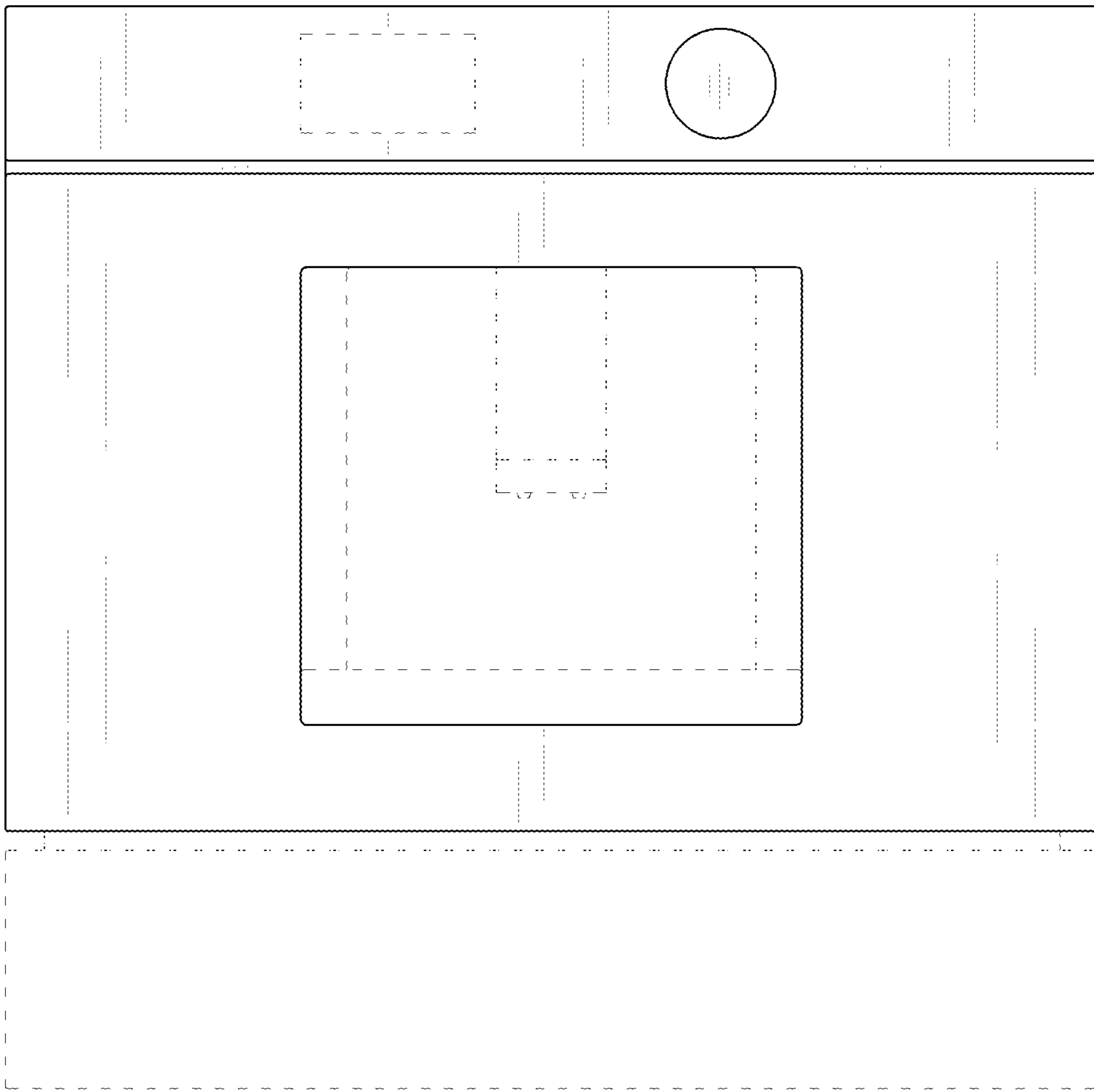


FIG. 3

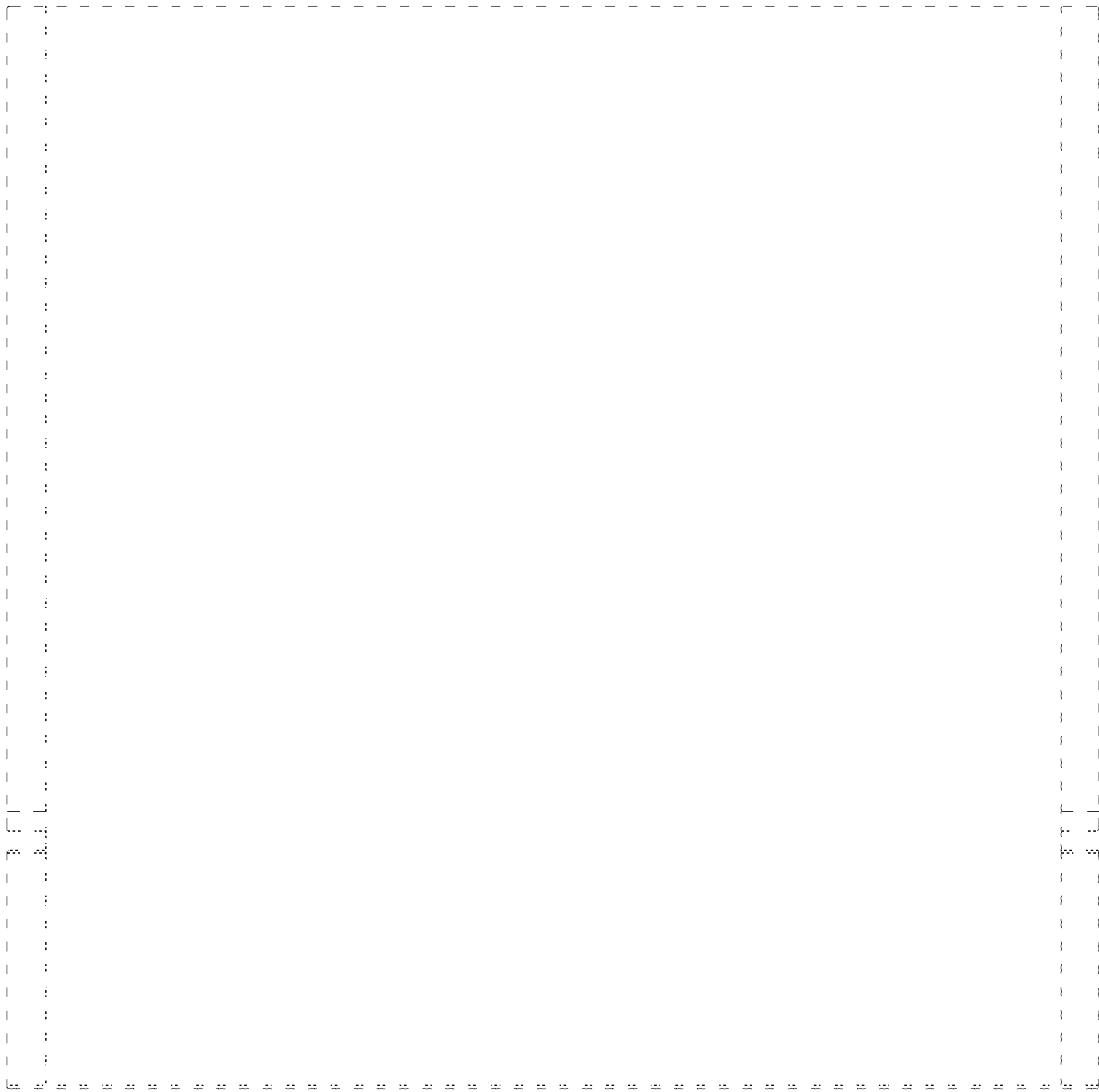


FIG. 4



FIG. 5



FIG. 6

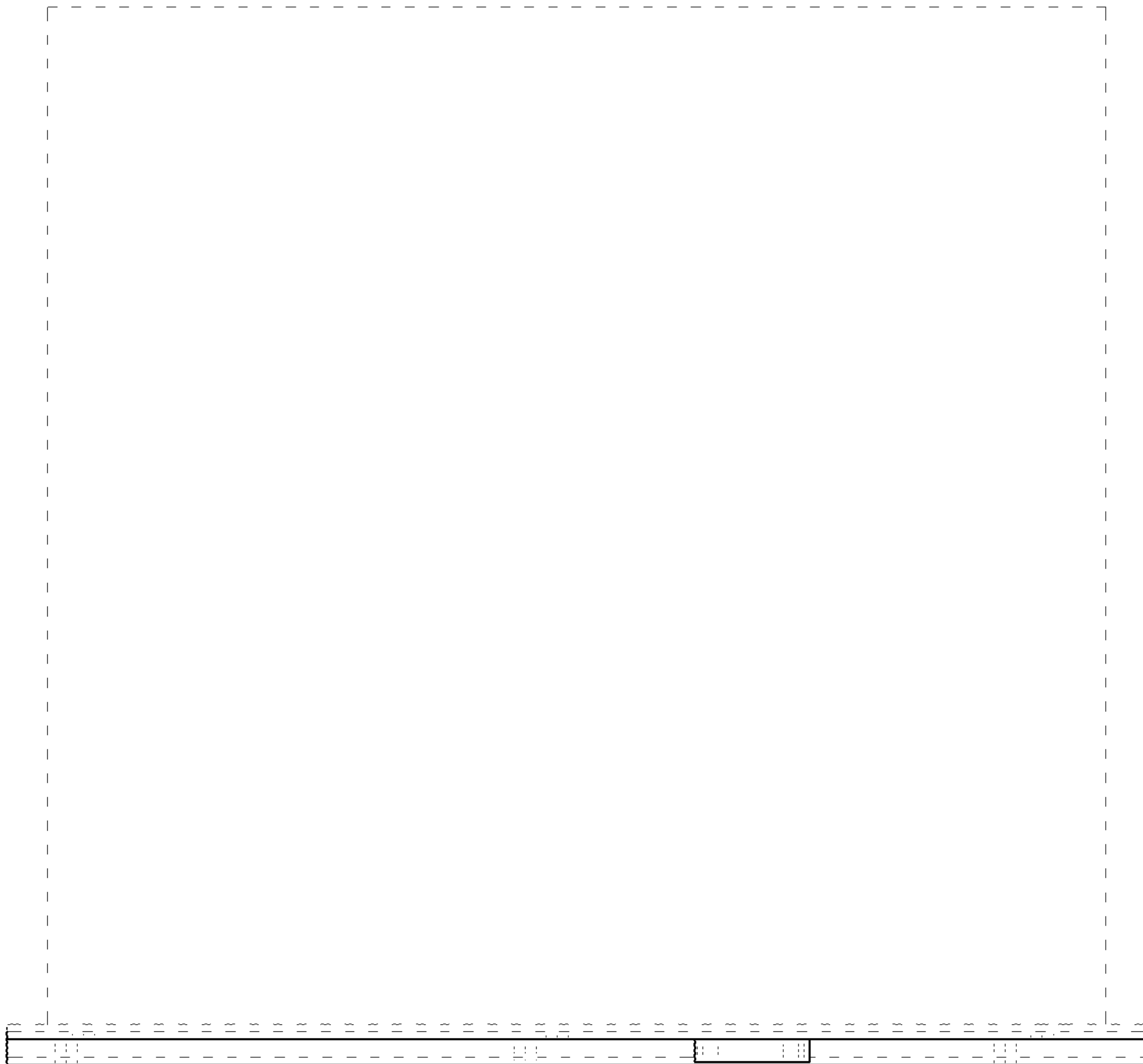


FIG. 7



FIG. 8

