



US00D943326S

(12) **United States Design Patent**
Ballendat

(10) **Patent No.:** **US D943,326 S**

(45) **Date of Patent:** **** Feb. 15, 2022**

(54) **OFFICE CHAIR BACKREST**

(71) Applicant: **BOCK 1 GMBH & CO. KG,**
Postbauer-Heng (DE)

(72) Inventor: **Martin Ballendat,** Simbach Am Inn
(DE)

(73) Assignee: **BOCK 1 GmbH & Co. KG,**
Postbauer-Heng (DE)

(**) Term: **15 Years**

(21) Appl. No.: **29/706,696**

(22) Filed: **Sep. 23, 2019**

(30) **Foreign Application Priority Data**

Mar. 26, 2019 (EP) 006336582-0005

(51) **LOC (13) Cl.** **06-01**

(52) **U.S. Cl.**
USPC **D6/716.4**

(58) **Field of Classification Search**

USPC D6/334-336, 364, 365, 366, 367, 371,
D6/372, 373, 374, 375, 379, 380, 716,
D6/716.1, 716.2, 716.3, 716.4

CPC A47C 3/12; A47C 3/18; A47C 5/12; A47C
4/028; A47C 7/004; A47C 7/006; A47C
7/02; A47C 7/16; A47C 7/40; A47C
7/282; A47C 7/46; A47C 7/54

See application file for complete search history.

(56) **References Cited**

U.S. PATENT DOCUMENTS

D702,977 S * 4/2014 Bonneywell D6/716
D758,087 S * 6/2016 Bonneywell D6/366

D770,788 S * 11/2016 Bonneywell D6/366
D801,742 S * 11/2017 Nakamura D6/716.4
D869,215 S * 12/2019 Chen D6/716
D882,999 S * 5/2020 Loew D6/716
D895,996 S * 9/2020 Shen D6/376

FOREIGN PATENT DOCUMENTS

EP 2153752 A1 * 2/2010 A47C 7/46

* cited by examiner

Primary Examiner — Mimoso De

(74) *Attorney, Agent, or Firm* — Laurence A. Greenberg;
Werner H. Stemer; Ralph E. Locher

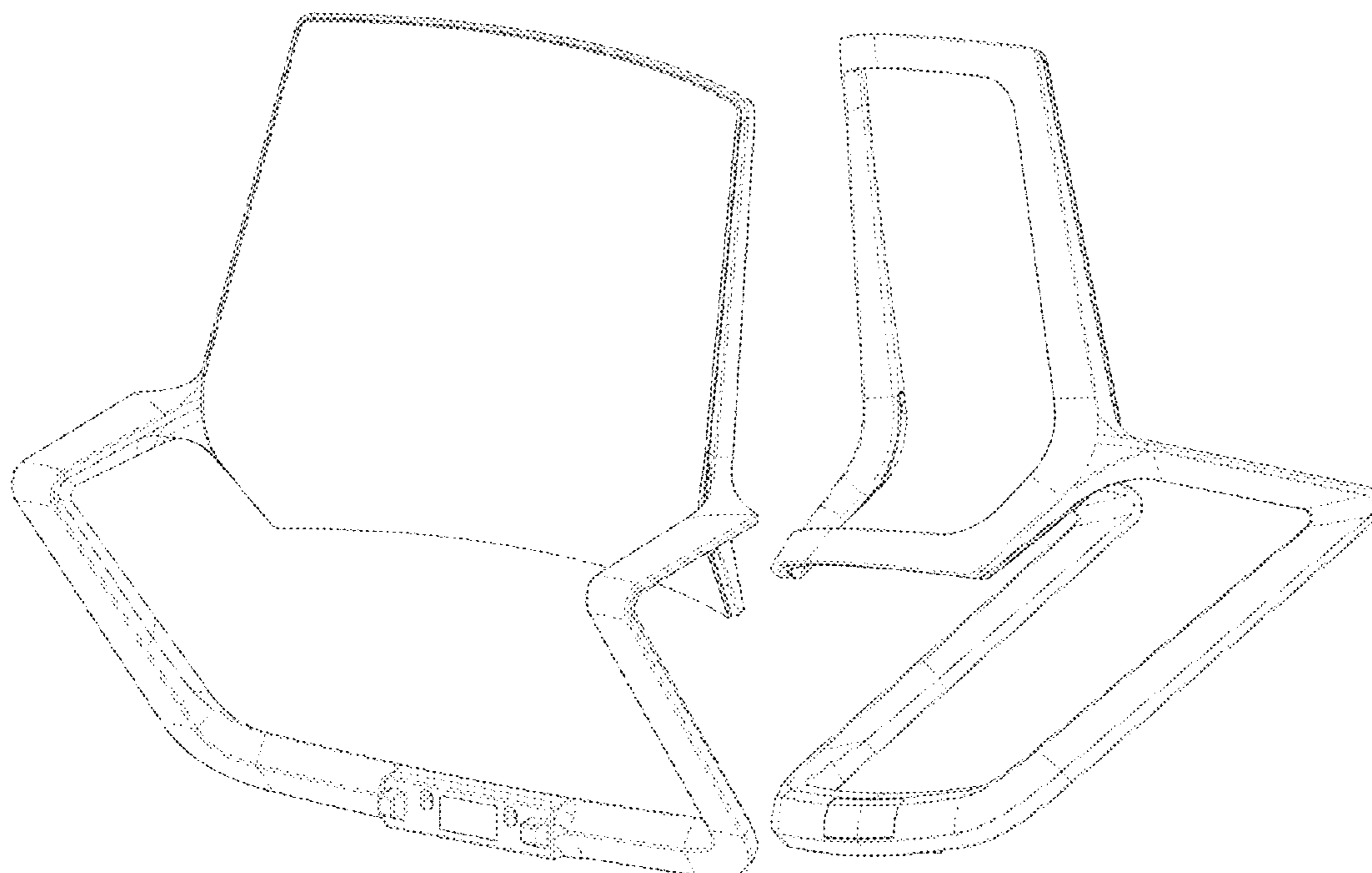
(57) **CLAIM**

The ornamental design for an office chair backrest, as shown and described.

DESCRIPTION

FIG. 1 is a front elevation view of the office chair backrest showing my new invention;
FIG. 2 is a rear elevation view thereof;
FIG. 3 is a right side elevation view thereof;
FIG. 4 is a left side elevation view thereof;
FIG. 5 is a top plan view thereof;
FIG. 6 is a bottom plan view thereof;
FIG. 7 is a front perspective view thereof; and,
FIG. 8 is a rear perspective plan view thereof.

1 Claim, 8 Drawing Sheets



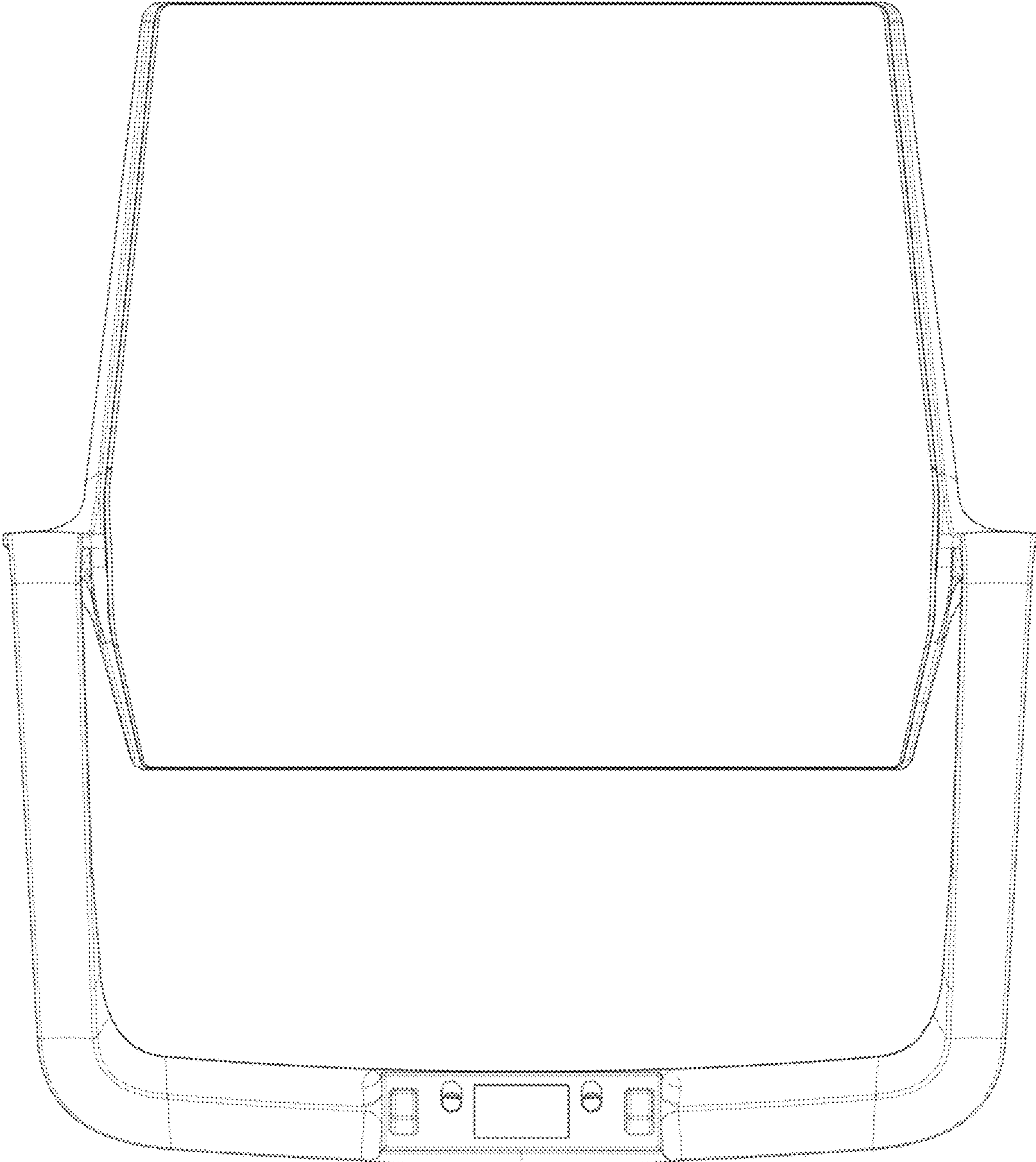


FIG. 1

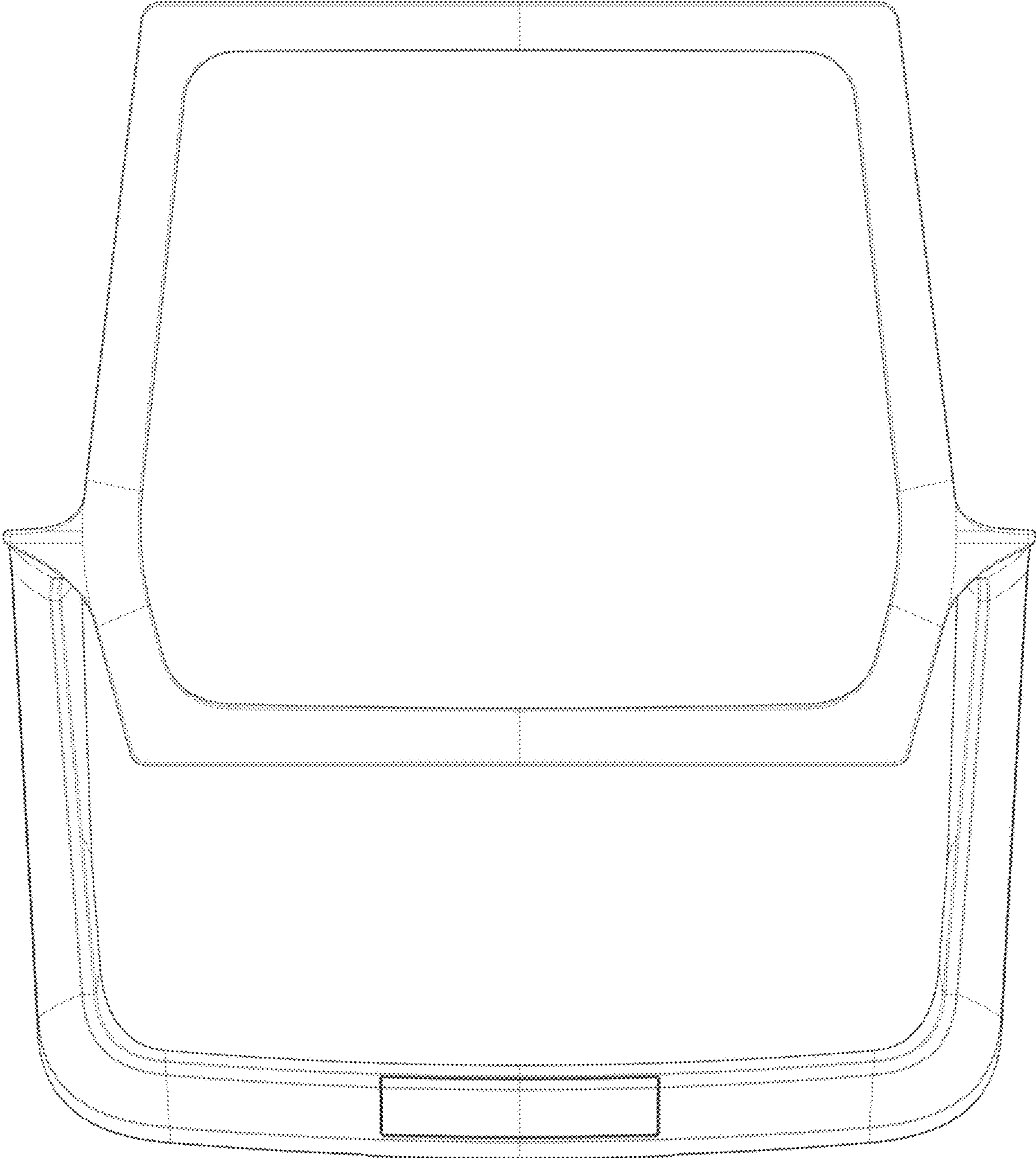


FIG. 2

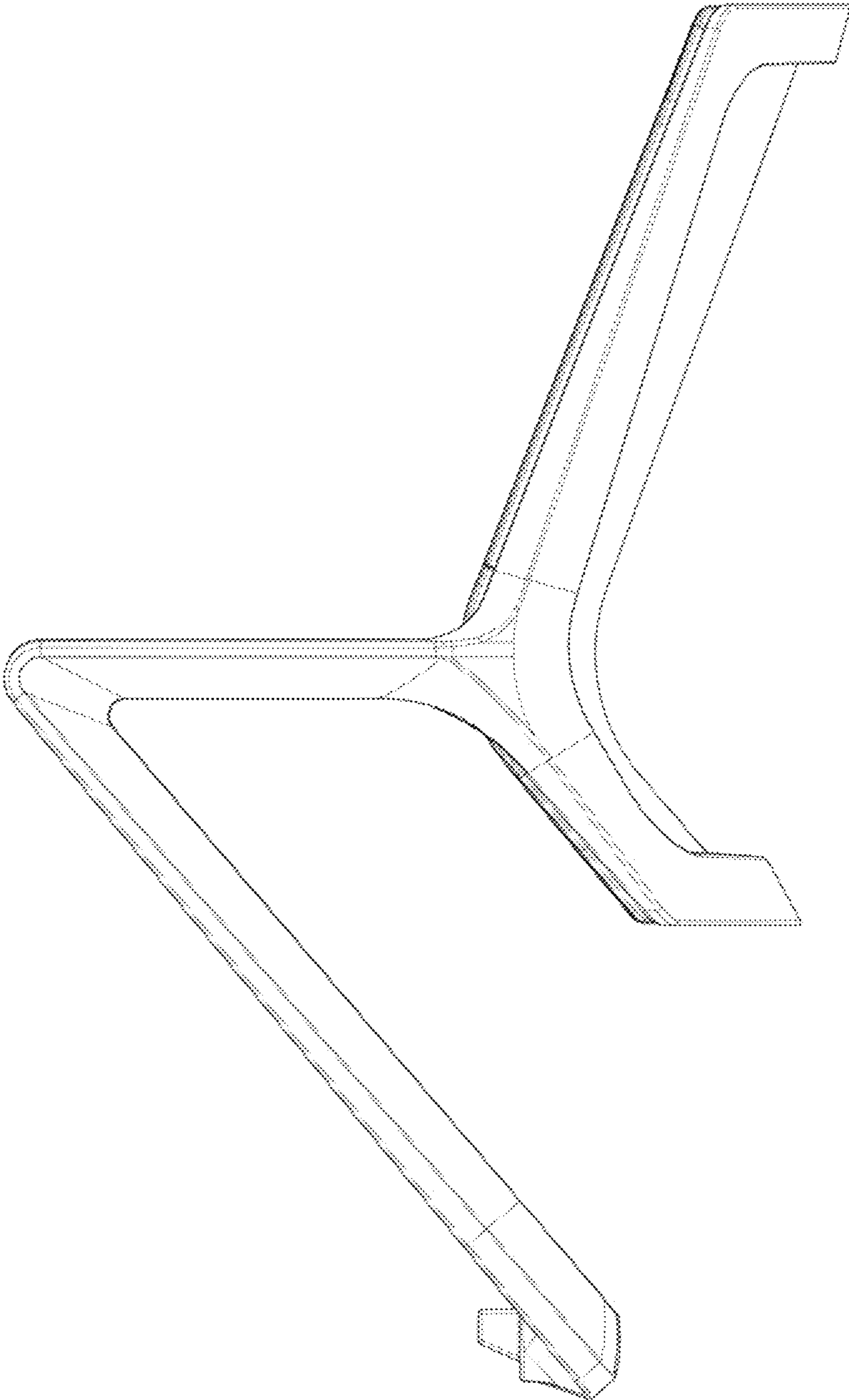


FIG. 3

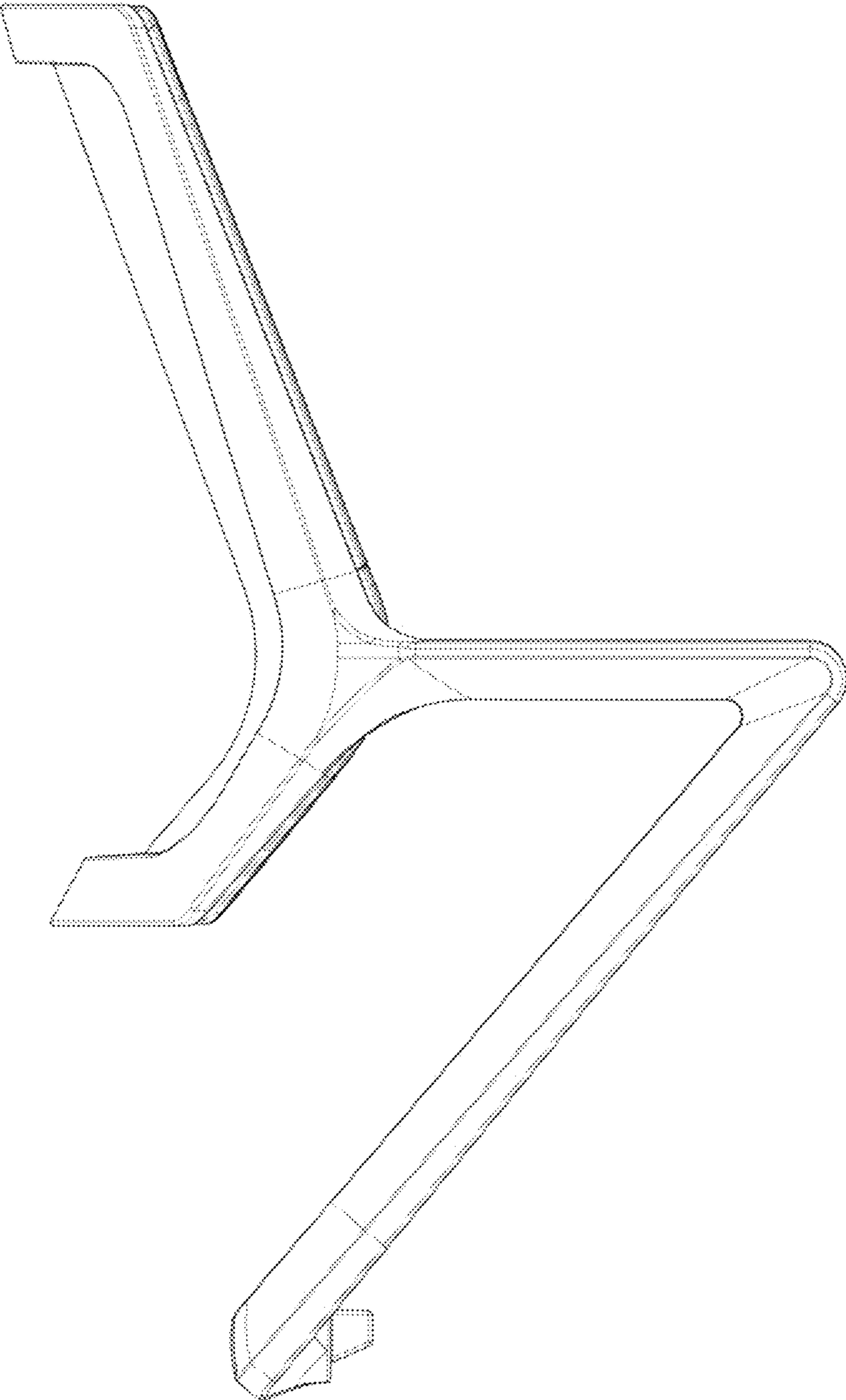


FIG. 4

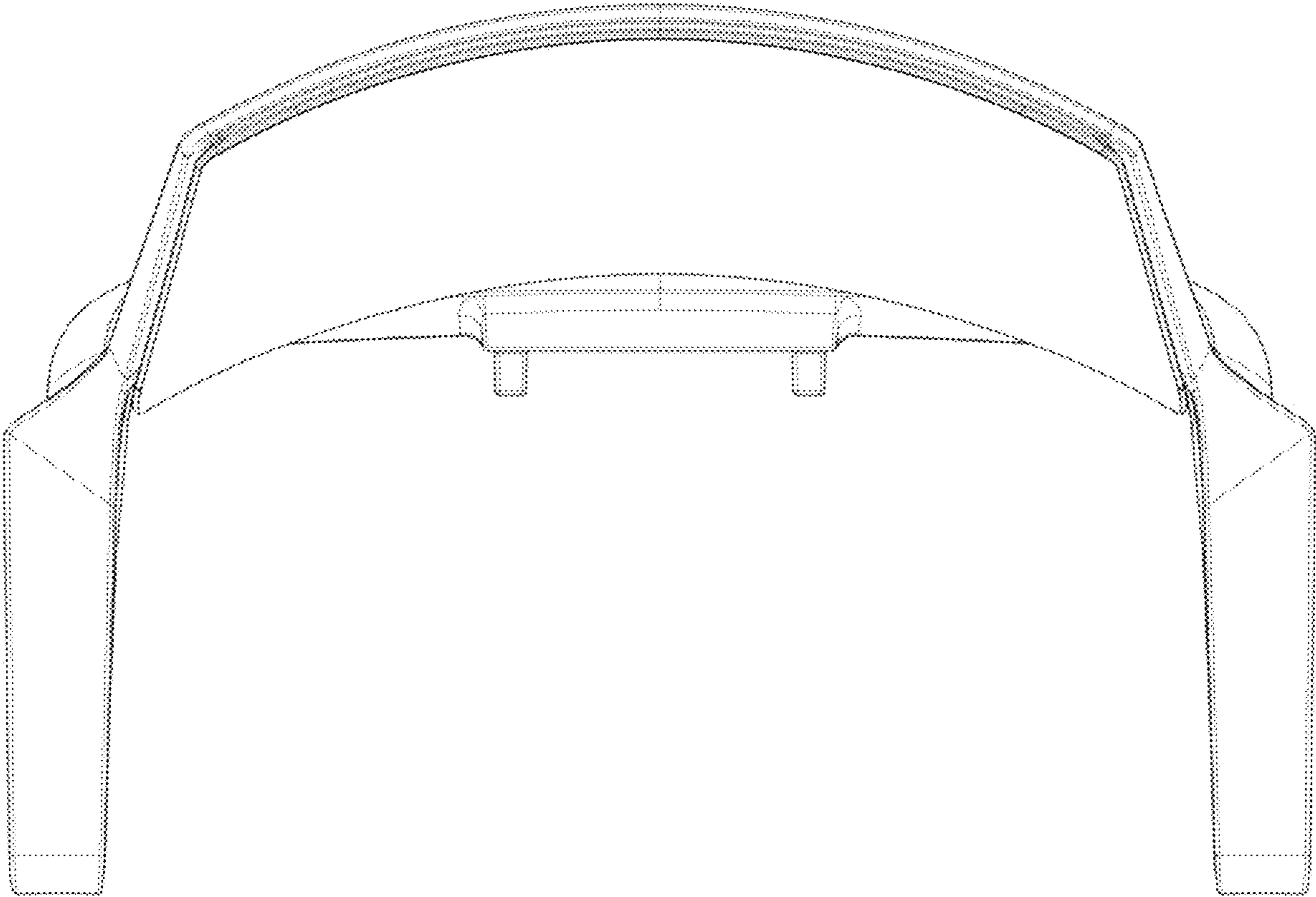


FIG. 5

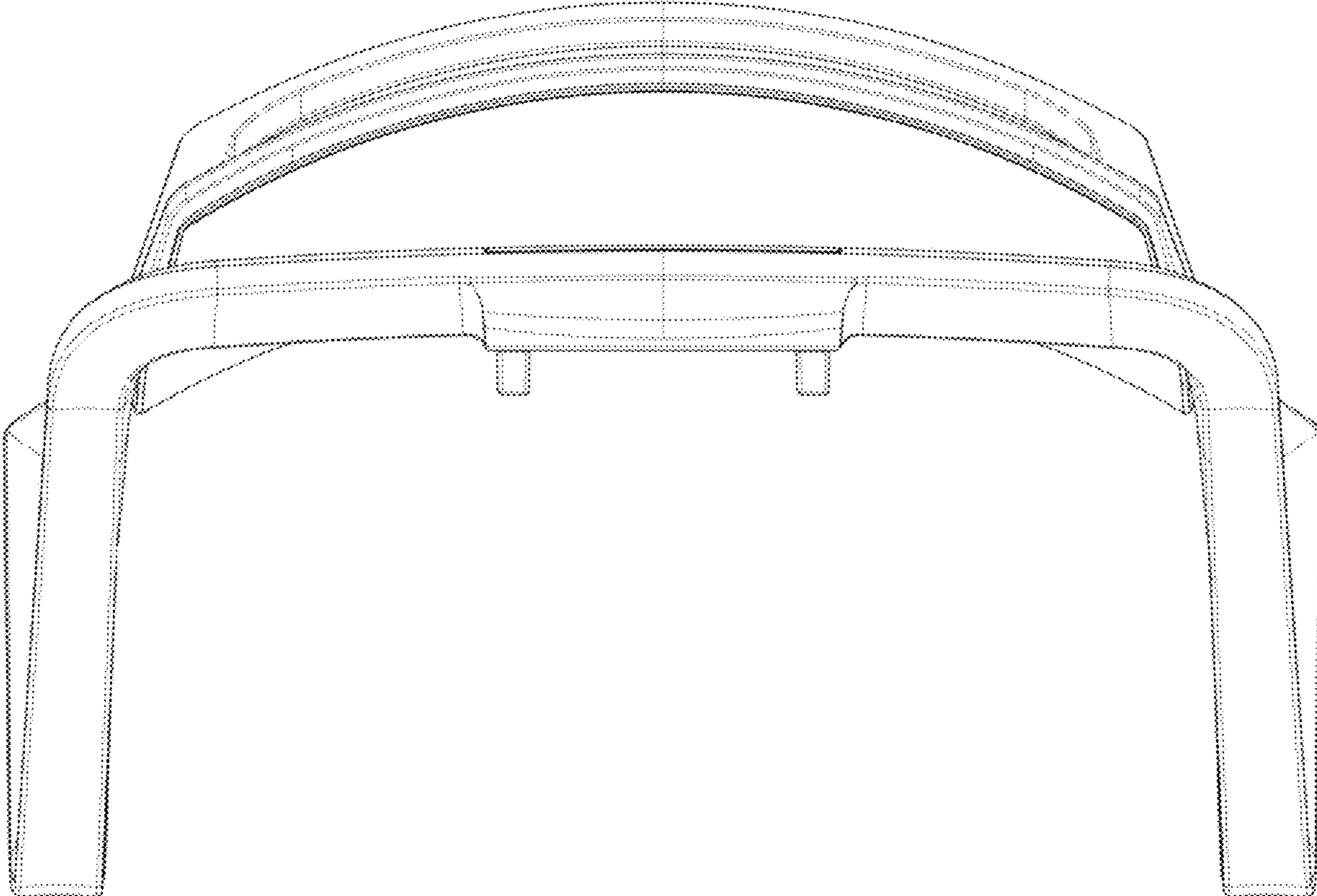


FIG. 6

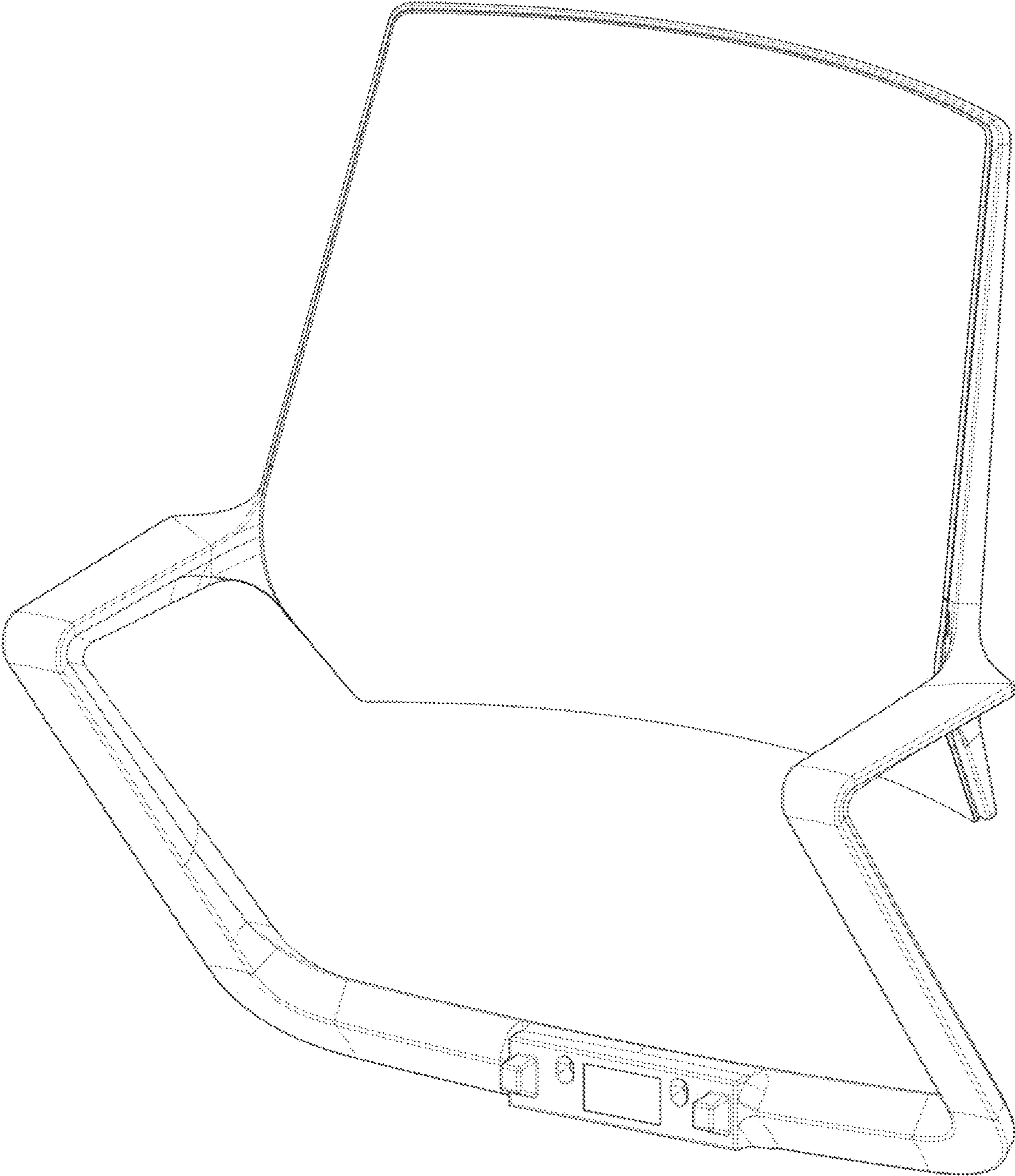


FIG. 7

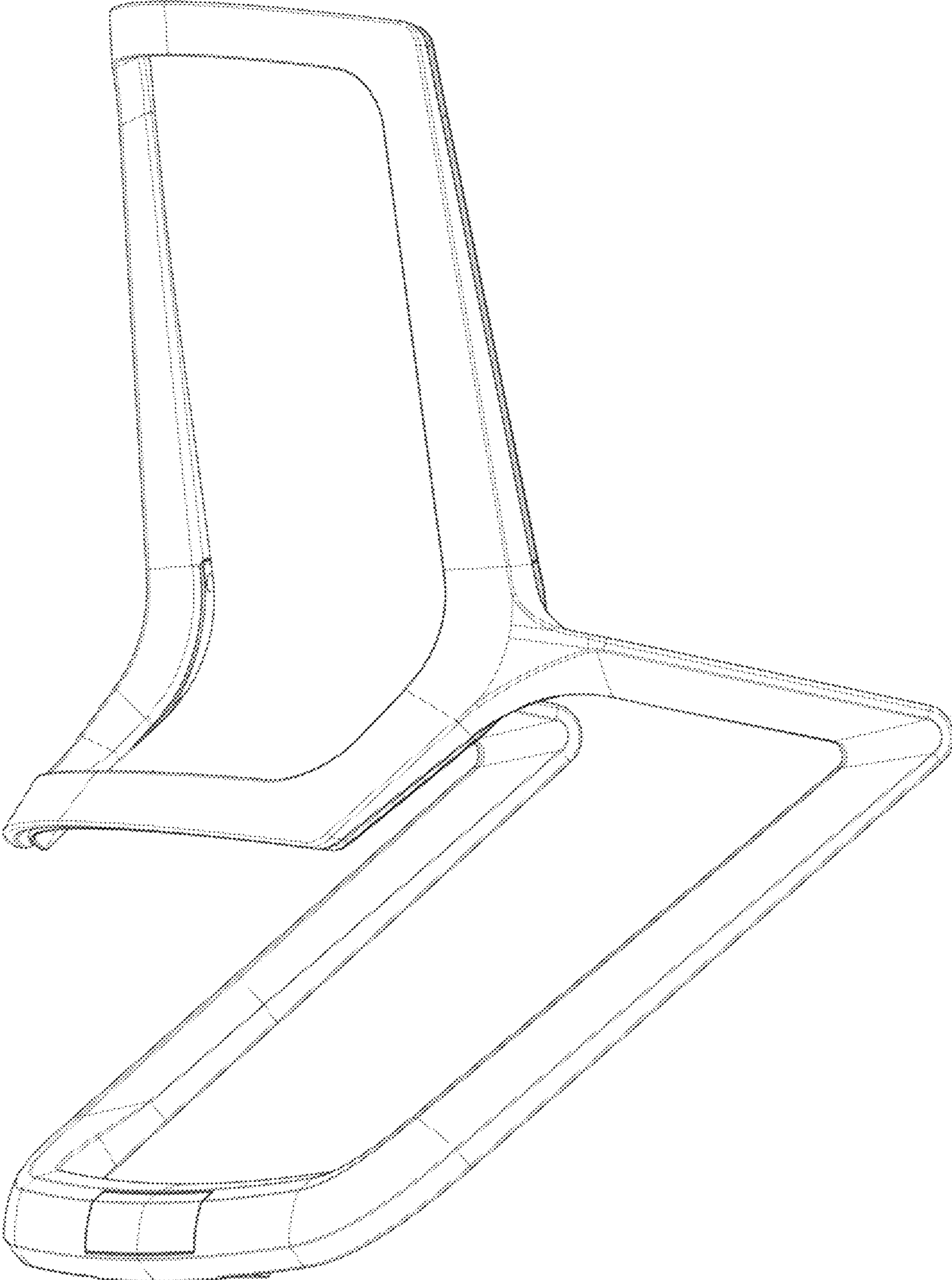


FIG. 8